

US00D499278S

(12) **United States Design Patent**  
**Dardashti**

(10) **Patent No.: US D499,278 S**

(45) **Date of Patent: \*\* Dec. 7, 2004**

(54) **COLLAPSIBLE SHELVING SYSTEM**

(76) **Inventor: Shahriar L. Dardashti**, 14138  
Beresford Rd., Beverly Hills, CA (US)  
90210

(\*\*) **Term: 14 Years**

(21) **Appl. No.: 29/205,252**

(22) **Filed: May 11, 2004**

(51) **LOC (7) Cl. .... 06-04**

(52) **U.S. Cl. .... D6/464; D6/474; D6/429**

(58) **Field of Search** ..... D6/429, 449, 464,  
D6/465, 474, 477-479, 548, 571, 566;  
108/91, 92, 99, 115; 211/130.1, 132.1,  
149, 195, 201

(56) **References Cited**

**U.S. PATENT DOCUMENTS**

1,955,769 A \* 4/1934 Reynolds ..... 211/130.1  
D208,921 S \* 10/1967 Tapert ..... D6/473  
D247,273 S \* 2/1978 Peters ..... D6/571  
4,709,640 A \* 12/1987 Jouanin ..... 108/91  
4,917,250 A \* 4/1990 Barbieri et al. .... 211/149

5,642,675 A \* 7/1997 Webb ..... 108/48  
D389,343 S \* 1/1998 Van Der Merwe et al. .. D6/474  
D430,431 S \* 9/2000 Walter ..... D6/465  
6,230,909 B1 \* 5/2001 Suter ..... 211/188  
6,340,046 B1 \* 1/2002 Basseches ..... 211/195

\* cited by examiner

*Primary Examiner*—Cathron Brooks

(74) *Attorney, Agent, or Firm*—Cislo & Thomas LLP

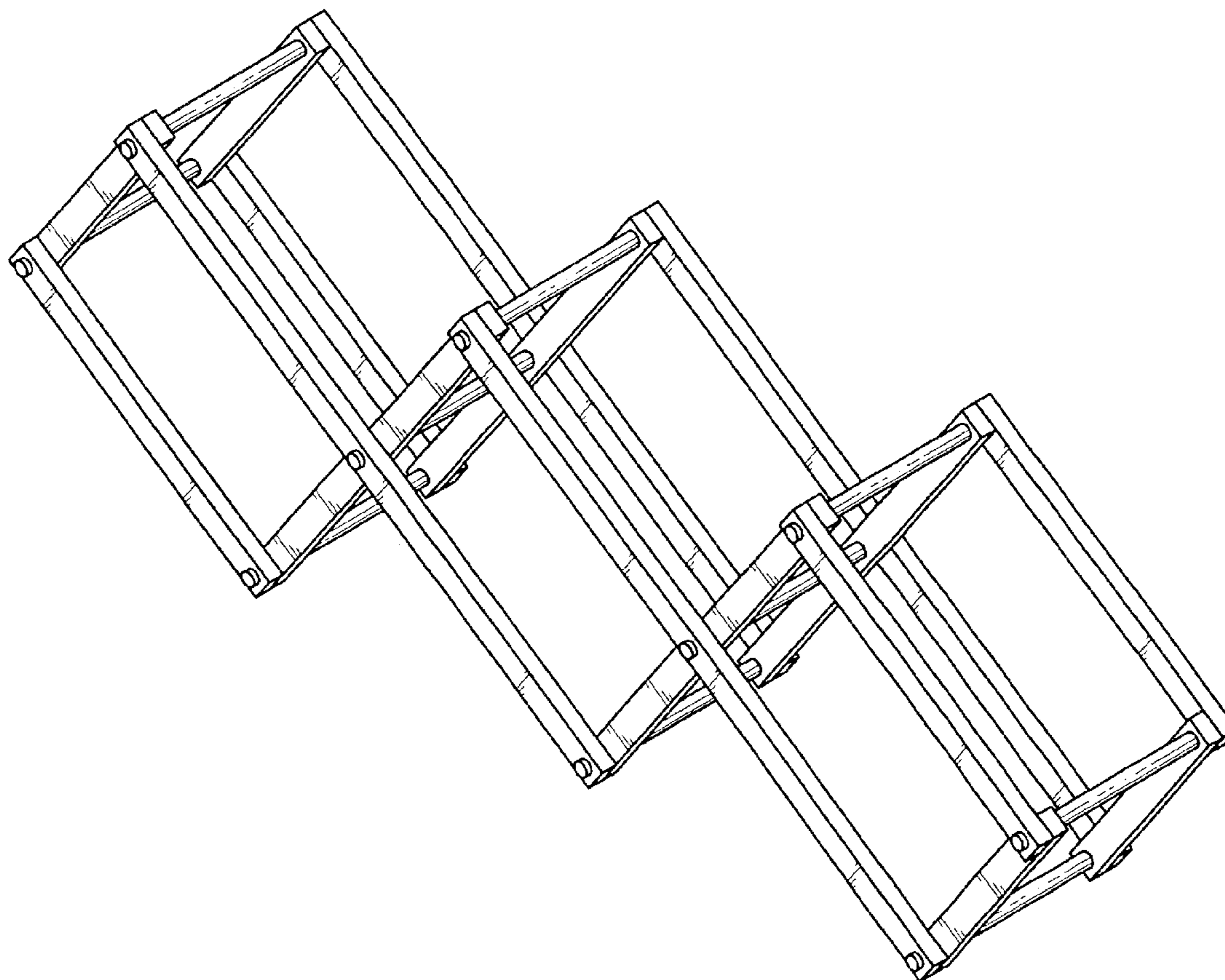
(57) **CLAIM**

The ornamental design for a collapsible shelving system, as shown and described herein.

**DESCRIPTION**

FIG. 1 is a top side perspective view of my collapsible shelving system;  
FIG. 2 is a side plan view thereof with the opposite side being a mirror image of the side shown in FIG. 2;  
FIG. 3 is a front side plan view thereof;  
FIG. 4 is a back side plan view thereof;  
FIG. 5 is a top plan view thereof; and,  
FIG. 6 is a bottom plan view thereof.

**1 Claim, 4 Drawing Sheets**



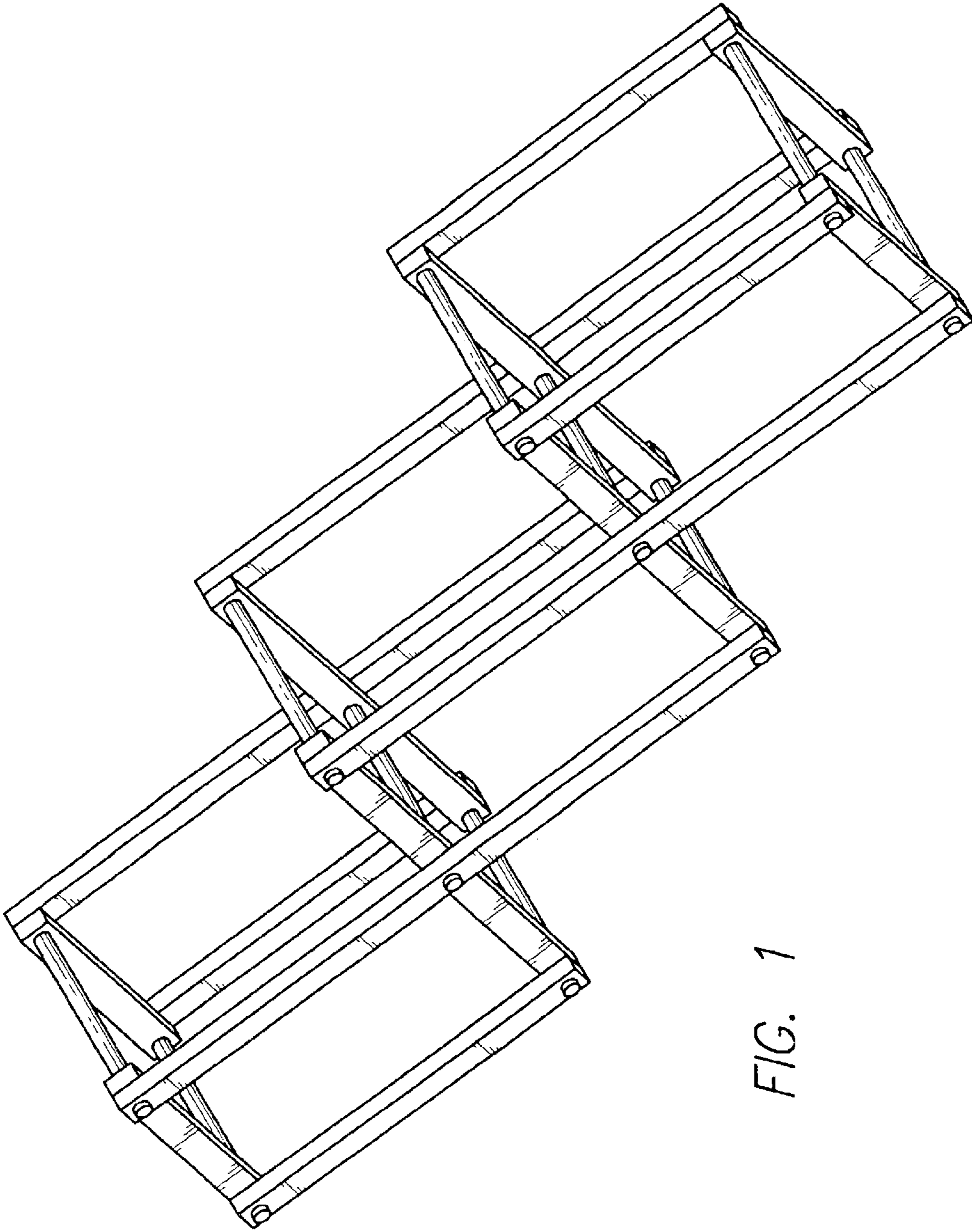


FIG. 1

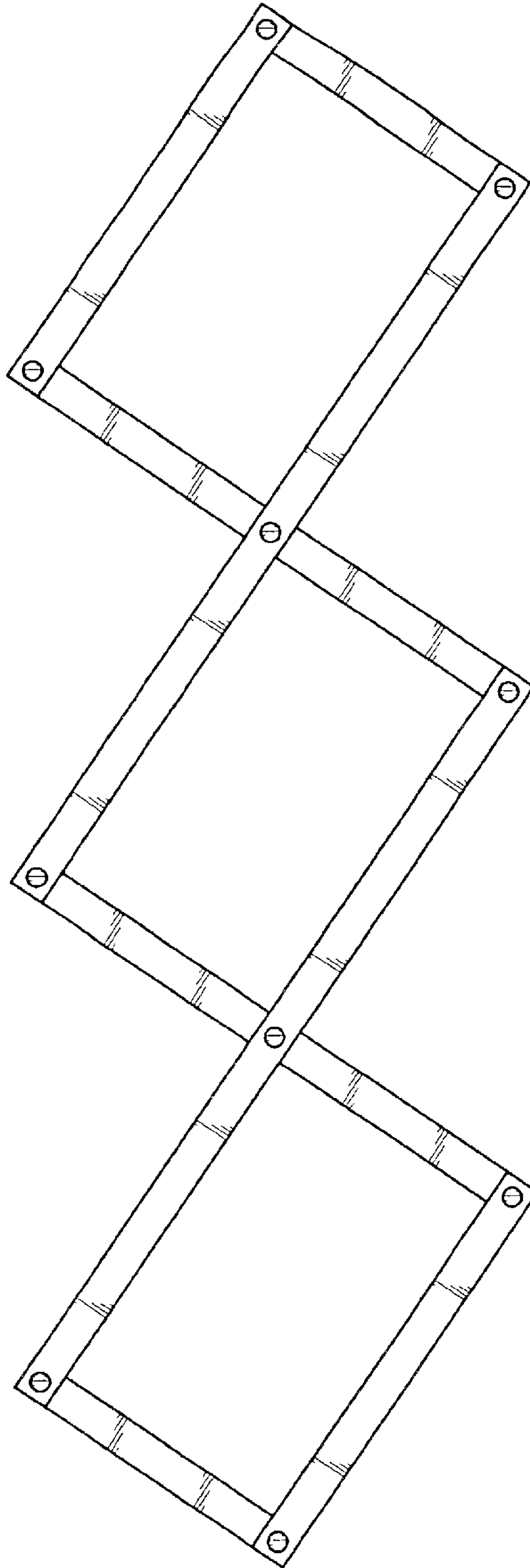


FIG. 2

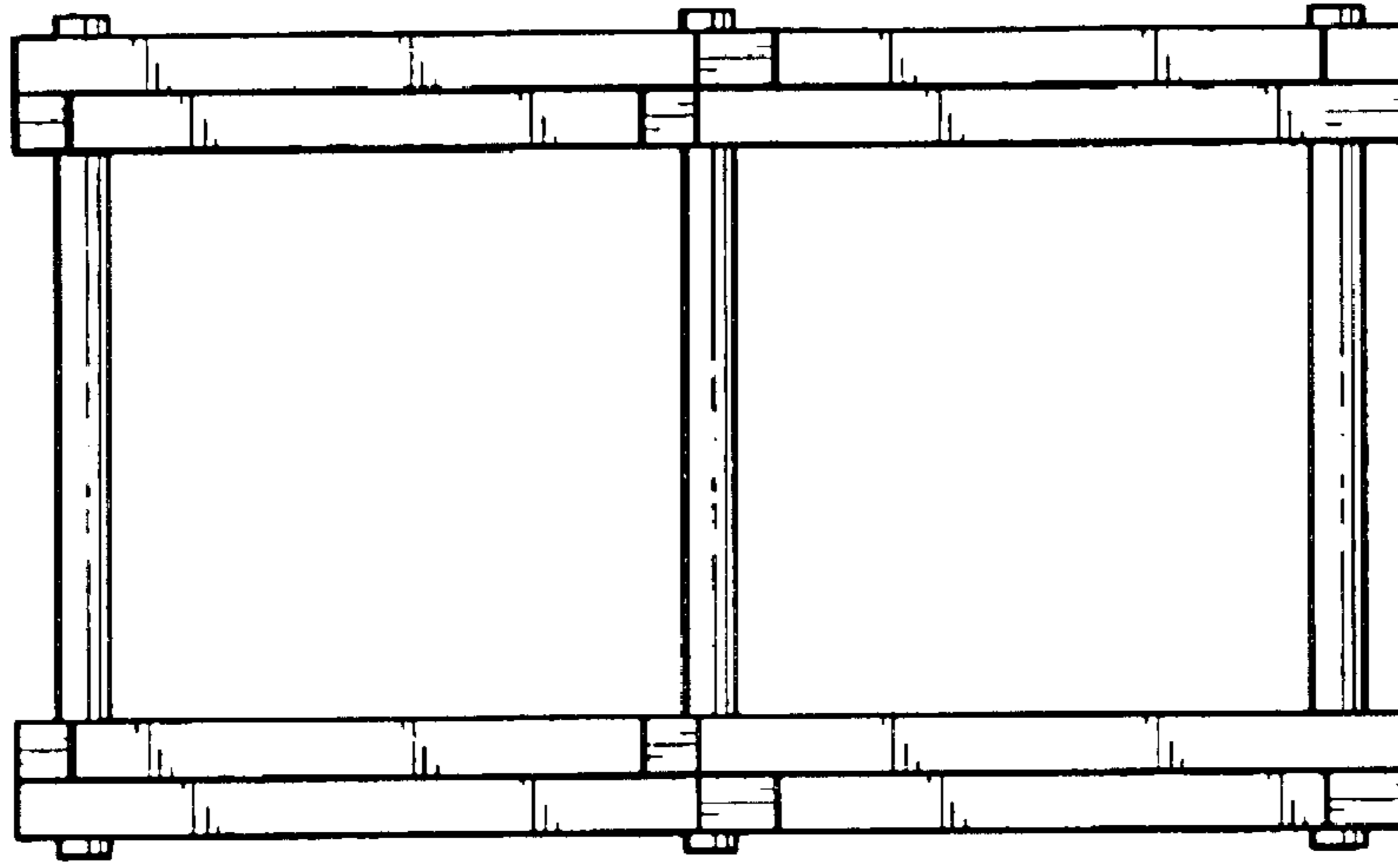


FIG. 4

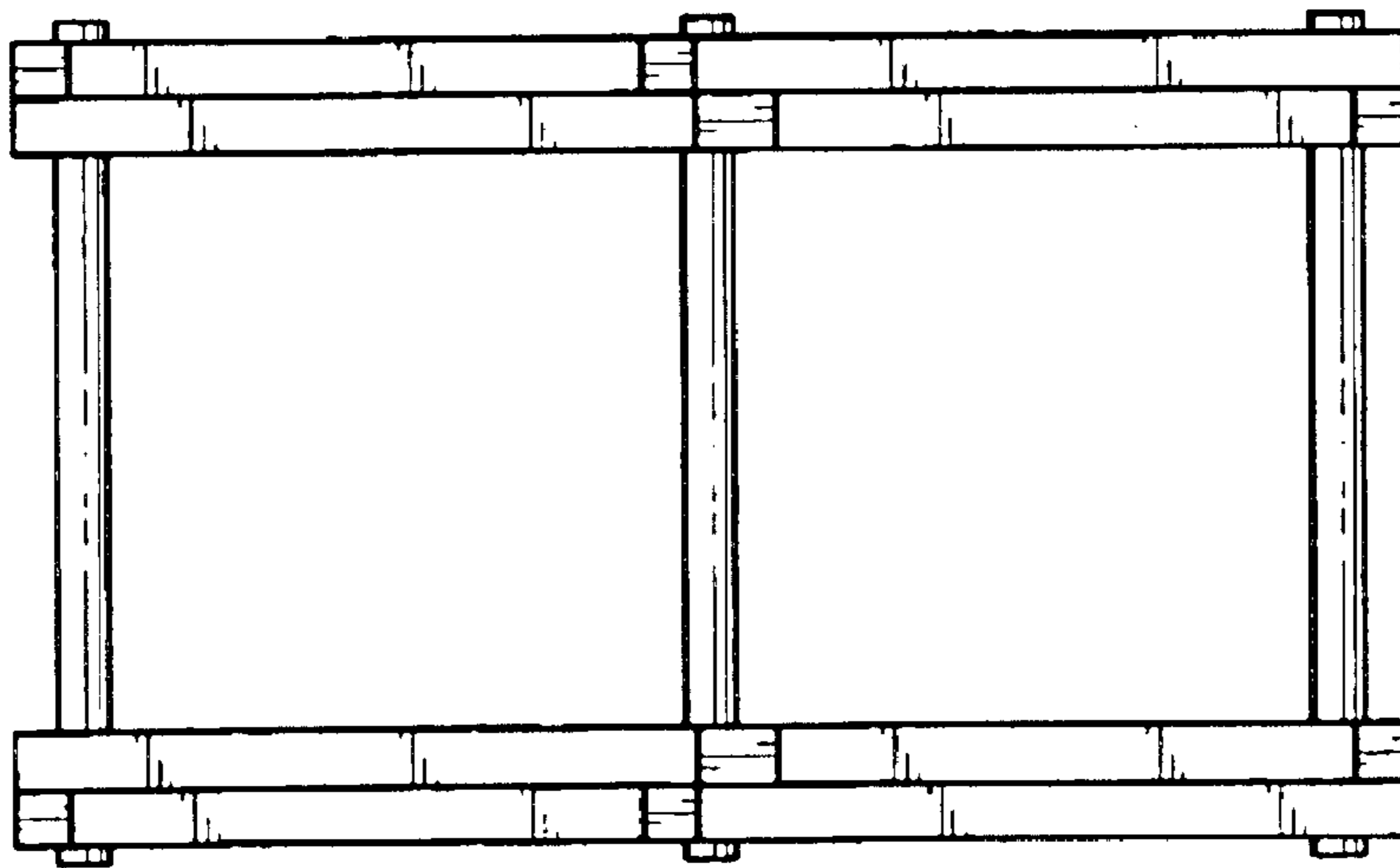


FIG. 3

FIG. 5

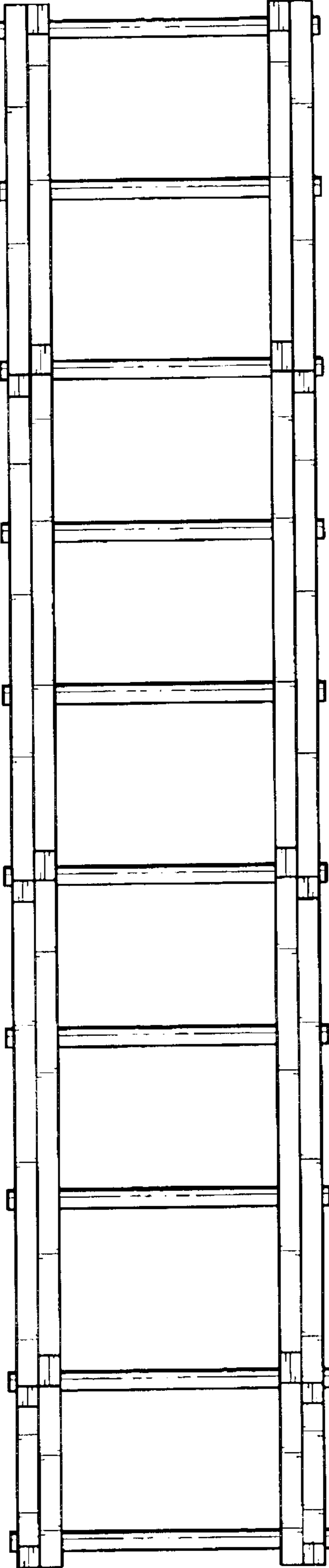


FIG. 6

