

US00D499272S

(12) **United States Design Patent**
Cappaert

(10) **Patent No.:** **US D499,272 S**
(45) **Date of Patent:** **** Dec. 7, 2004**

(54) **BED**

(75) **Inventor:** **Robert Michael Cappaert**, Evanston,
IL (US)

(73) **Assignee:** **Shermag Inc.**, Sherbrooke Quebec
(CA)

(**) **Term:** **14 Years**

(21) **Appl. No.:** **29/169,497**

(22) **Filed:** **Oct. 21, 2002**

(51) **LOC (7) Cl.** **06-01**

(52) **U.S. Cl.** **D6/393**

(58) **Field of Search** D6/382-395, 505-508;
5/53.1, 279.1, 280.281, 907

(56) **References Cited**

U.S. PATENT DOCUMENTS

D51,451 S	*	11/1917	Andrews	D6/439
D63,762 S	*	1/1924	Welch	D6/470
D84,471 S	*	6/1931	French	D6/446 X
D133,694 S	*	9/1942	Buckner	D6/441
D404,217 S	*	1/1999	Zaidman et al.	D6/393
D411,060 S	*	6/1999	Horn	D6/445
D420,833 S	*	2/2000	Cain	D6/445
D434,580 S	*	12/2000	Freedberg	D6/445

D435,358 S	*	12/2000	Gallien	D6/393
D448,947 S	*	10/2001	McDaniel et al.	D6/389
D462,197 S	*	9/2002	Tabbia	D6/446
D475,862 S	*	6/2003	McDaniel et al.	D6/393

OTHER PUBLICATIONS

Ethan Allen, Dec. 1988, p. 193, bed #4 in center.*

* cited by examiner

Primary Examiner—Janice E. Seeger

(74) *Attorney, Agent, or Firm*—Collard & Roe, P.C.

(57) **CLAIM**

The ornamental design for bed, as shown and described.

DESCRIPTION

FIG. 1 shows a top elevational view of a bed showing my new design;

FIG. 2 shows a left side view thereof;

FIG. 3 shows a bottom view thereof;

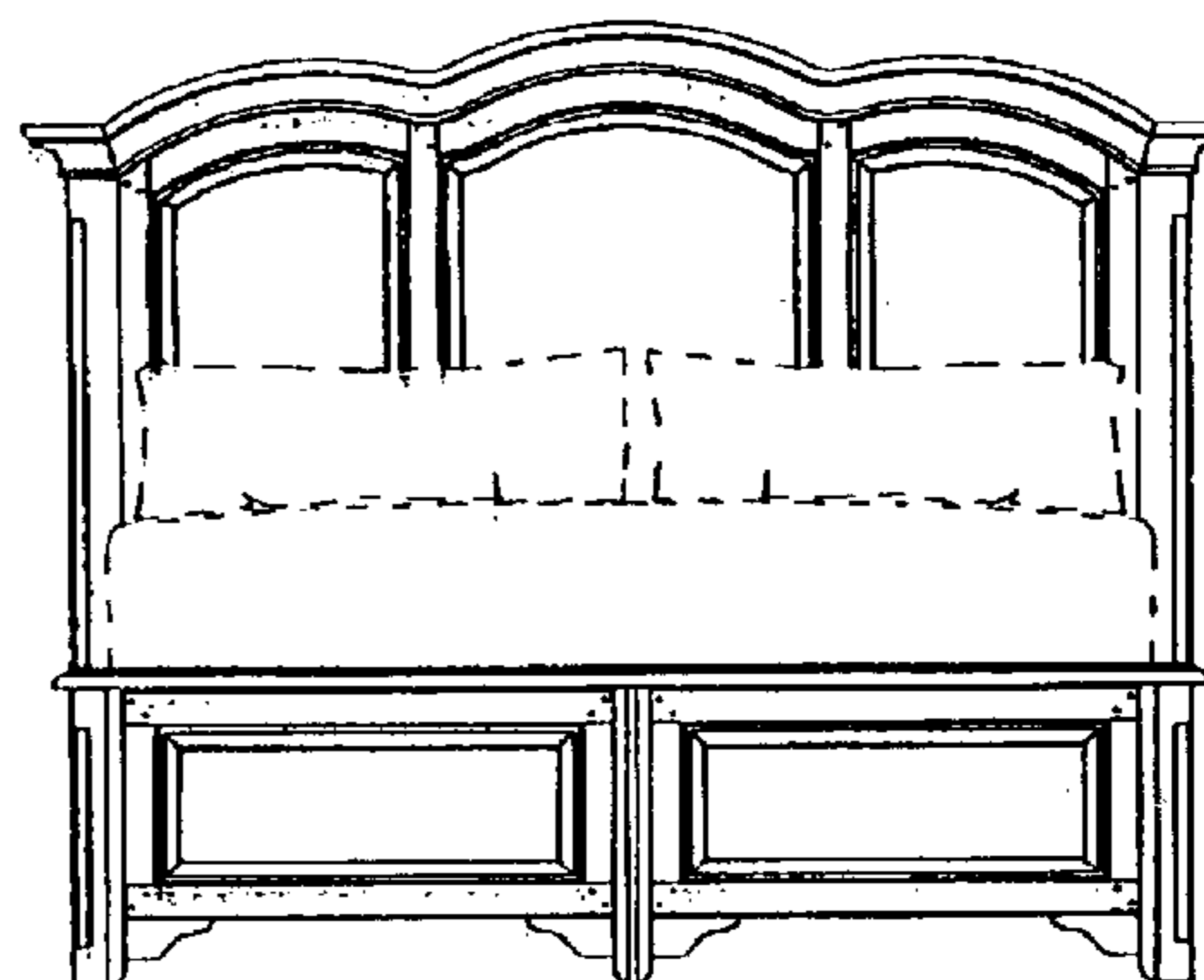
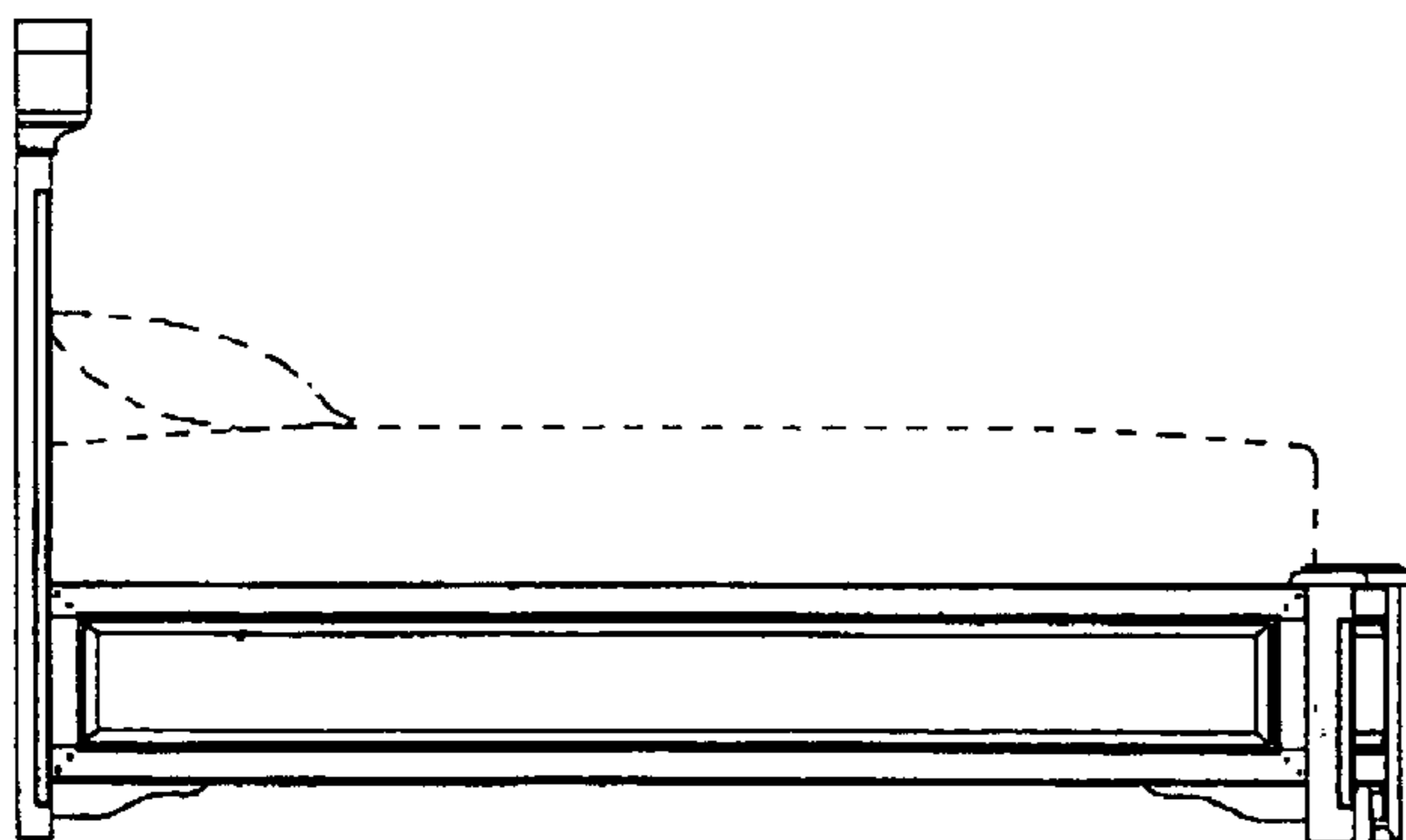
FIG. 4 shows a rear view thereof;

FIG. 5 shows a front view thereof; and,

FIG. 6 shows a right side view thereof.

The broken lines are for environmental purposes only and form no part of the claimed design.

1 Claim, 2 Drawing Sheets



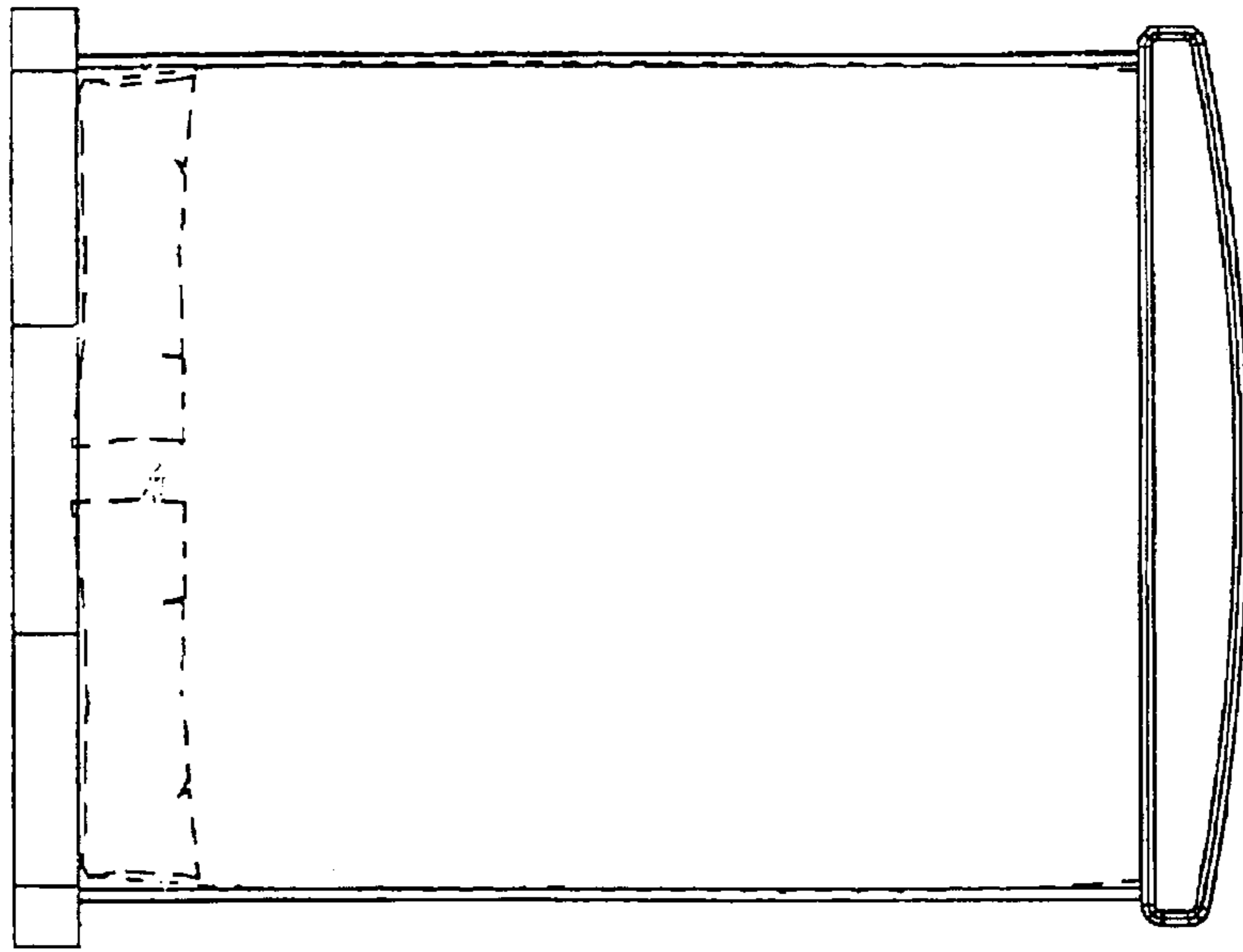


FIG. 1

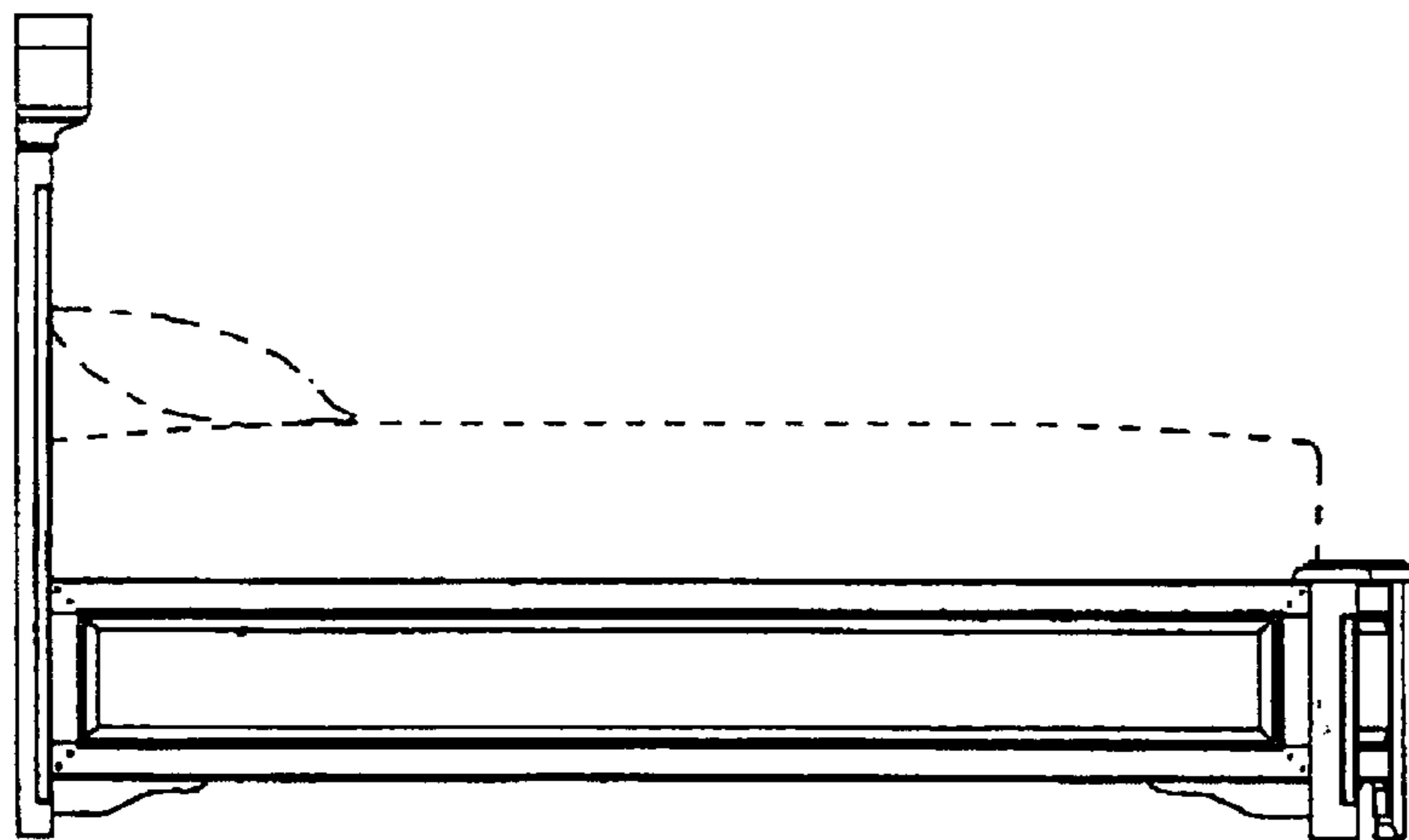


FIG. 2

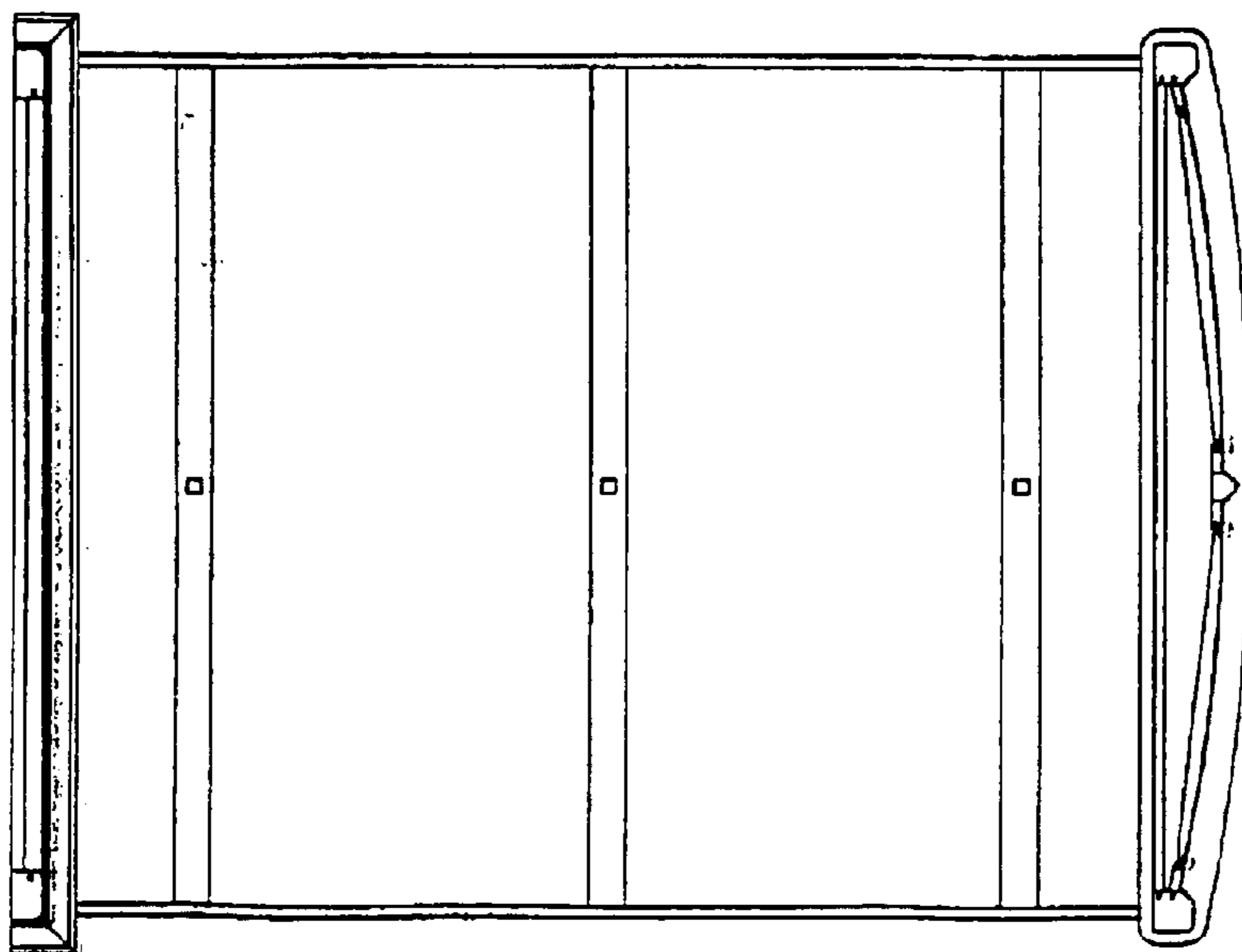


FIG. 3

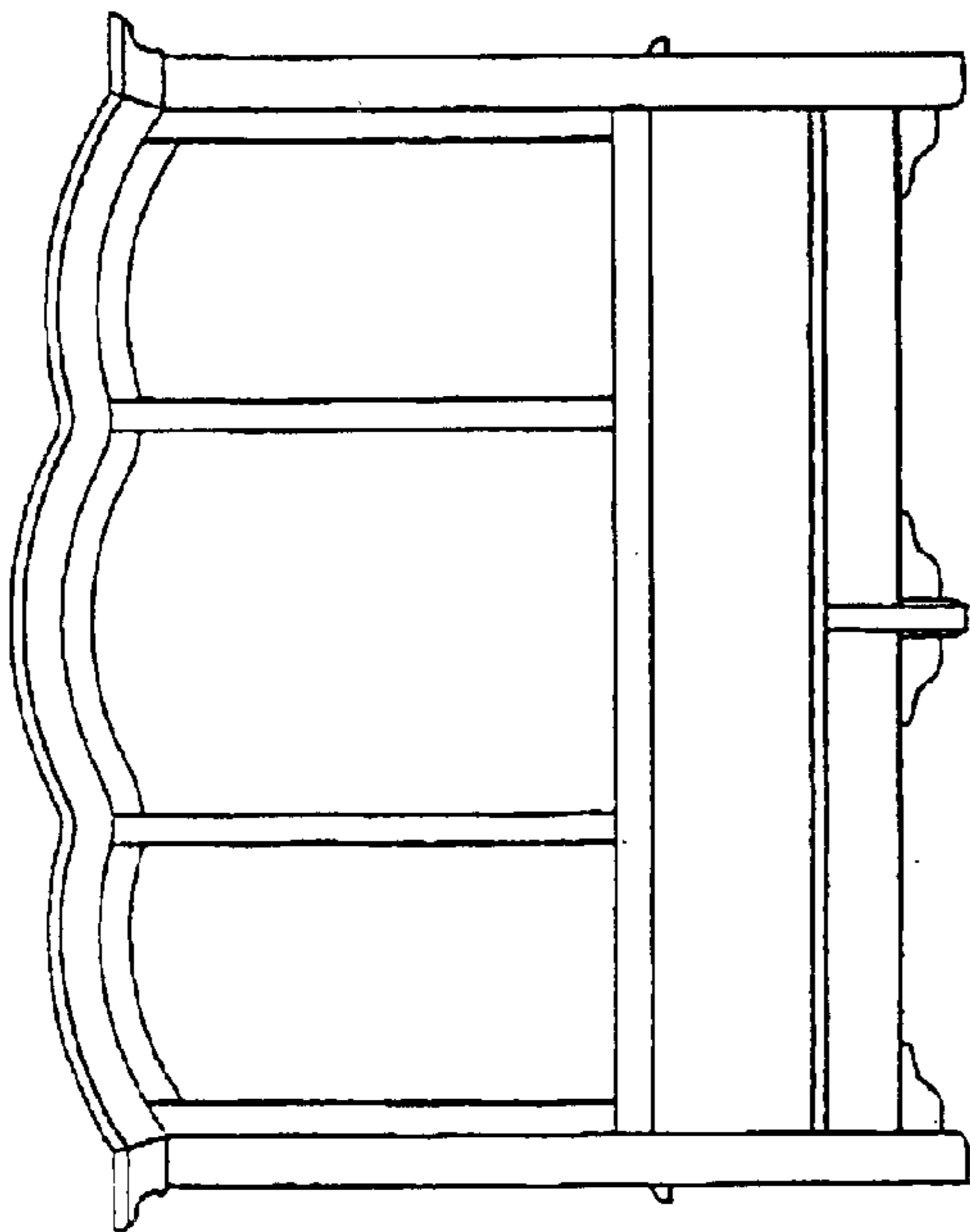


FIG. 4

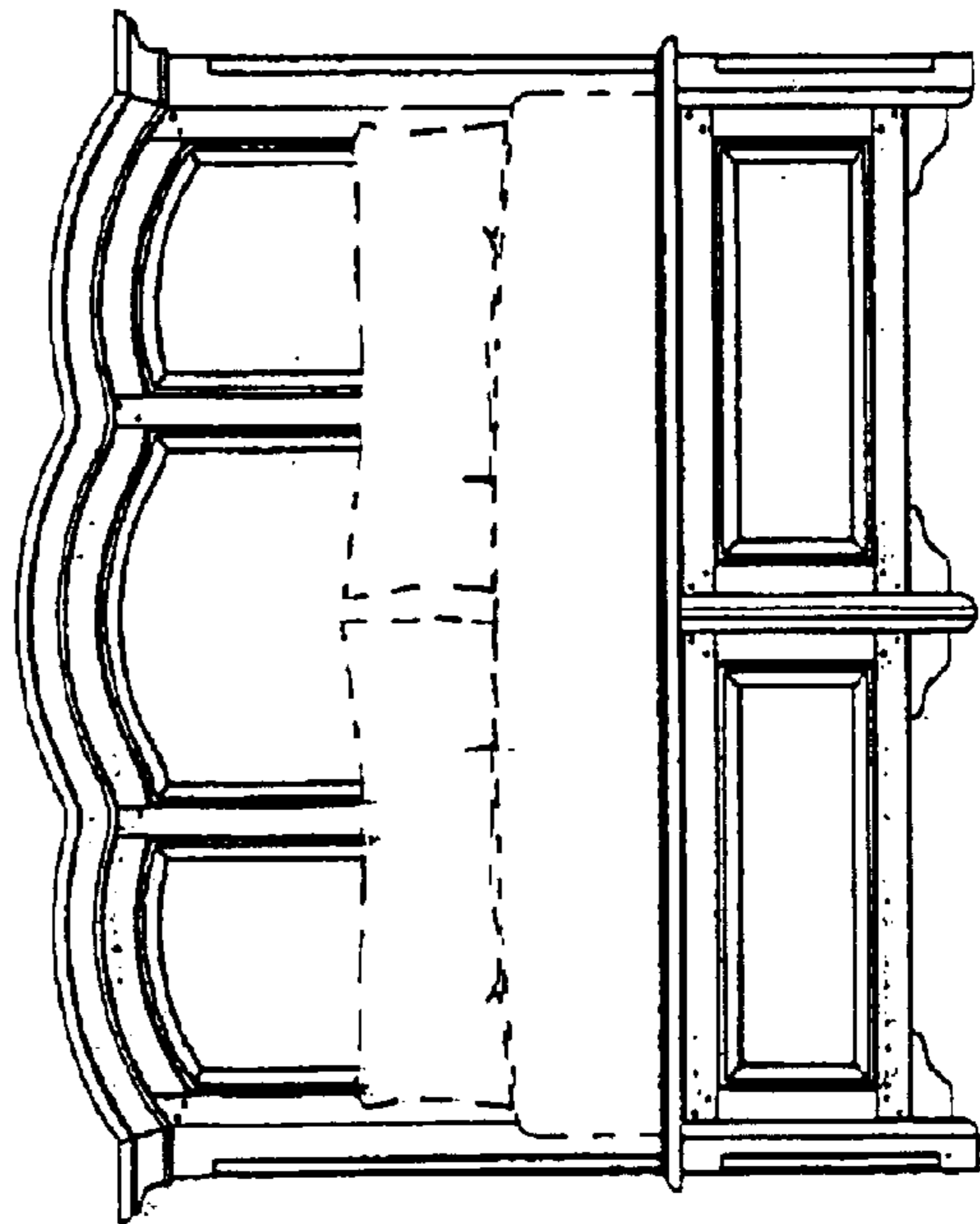


FIG. 5

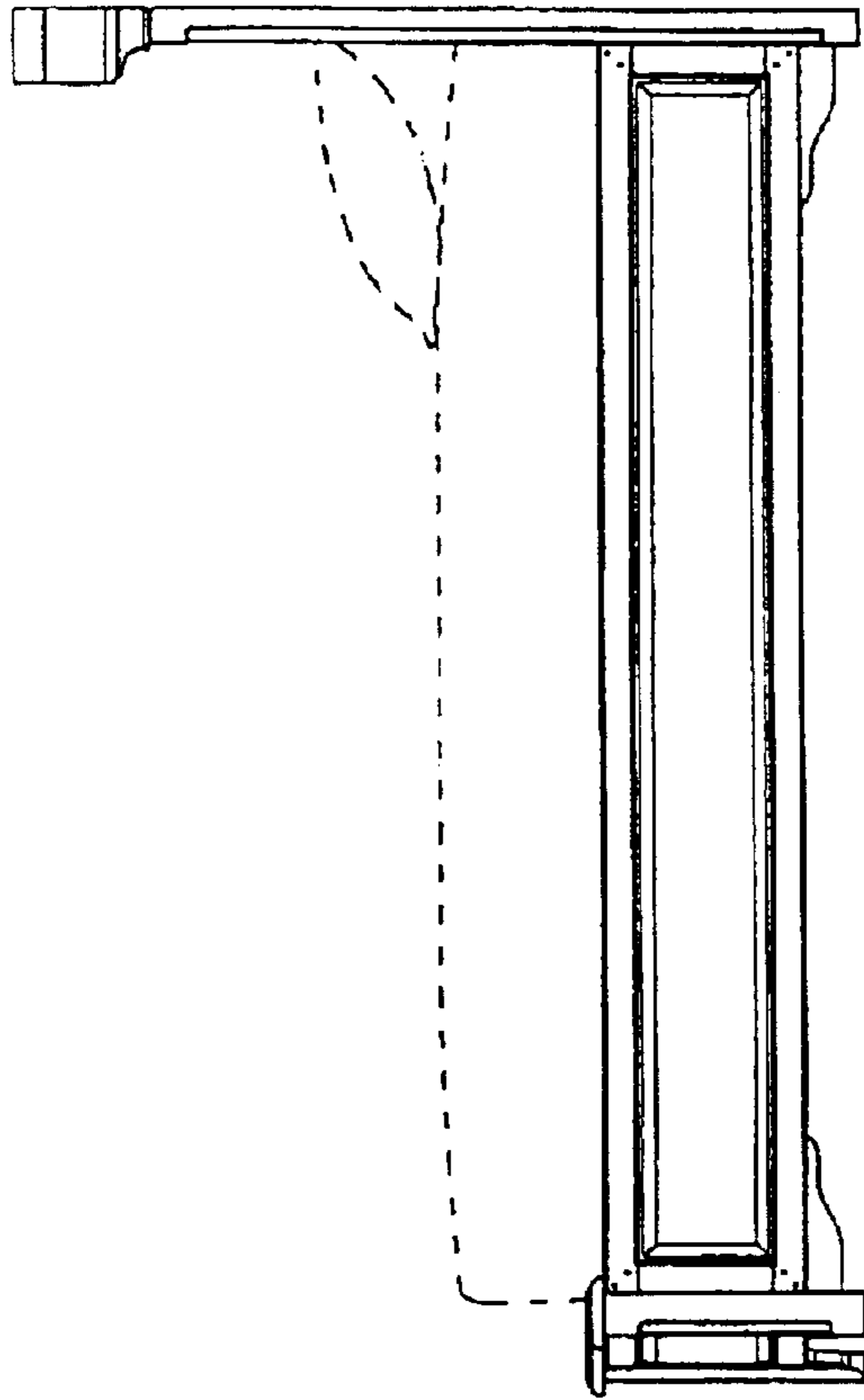


FIG. 6