



US00D499271S

(12) **United States Design Patent** (10) **Patent No.:** **US D499,271 S**  
**Wanek et al.** (45) **Date of Patent:** **\*\* Dec. 7, 2004**

- (54) **BED**
- (75) Inventors: **Ronald G. Wanek**, Arcadia, WI (US);  
**Randy D. Domack**, Trempealeau, WI (US)
- (73) Assignee: **Ashley Furniture Industries, Inc.**,  
Arcadia, WI (US)
- (\*\*) Term: **14 Years**
- (21) Appl. No.: **29/177,799**
- (22) Filed: **Mar. 14, 2003**
- (51) **LOC (7) Cl.** ..... **06-01**
- (52) **U.S. Cl.** ..... **D6/389**
- (58) **Field of Search** ..... D6/382, 389, 392-395,  
D6/505-508; 5/53.1, 279.1, 280, 281, 310,  
907, 414, 113

- D455,283 S \* 4/2002 McDaniel et al. .... D6/393  
D455,284 S 4/2002 Vaaler  
D470,331 S 2/2003 Stanton

**OTHER PUBLICATIONS**

Furniture Style, "Bordeaux Bed", Jul. 2002.  
Henredon, "Amalfi Coast—Chest, Bed, Bench",  
www.henredon.com, Jan. 10, 2003.  
Henredon, "Amalfi Coast—Bed", www.henredon.com Jan.  
10, 2003.

\* cited by examiner

*Primary Examiner*—Janice Seeger  
(74) *Attorney, Agent, or Firm*—Patterson, Thuente, Skaar &  
Christensen, P.A.

(57) **CLAIM**

The ornamental design for a bed, as shown and described.

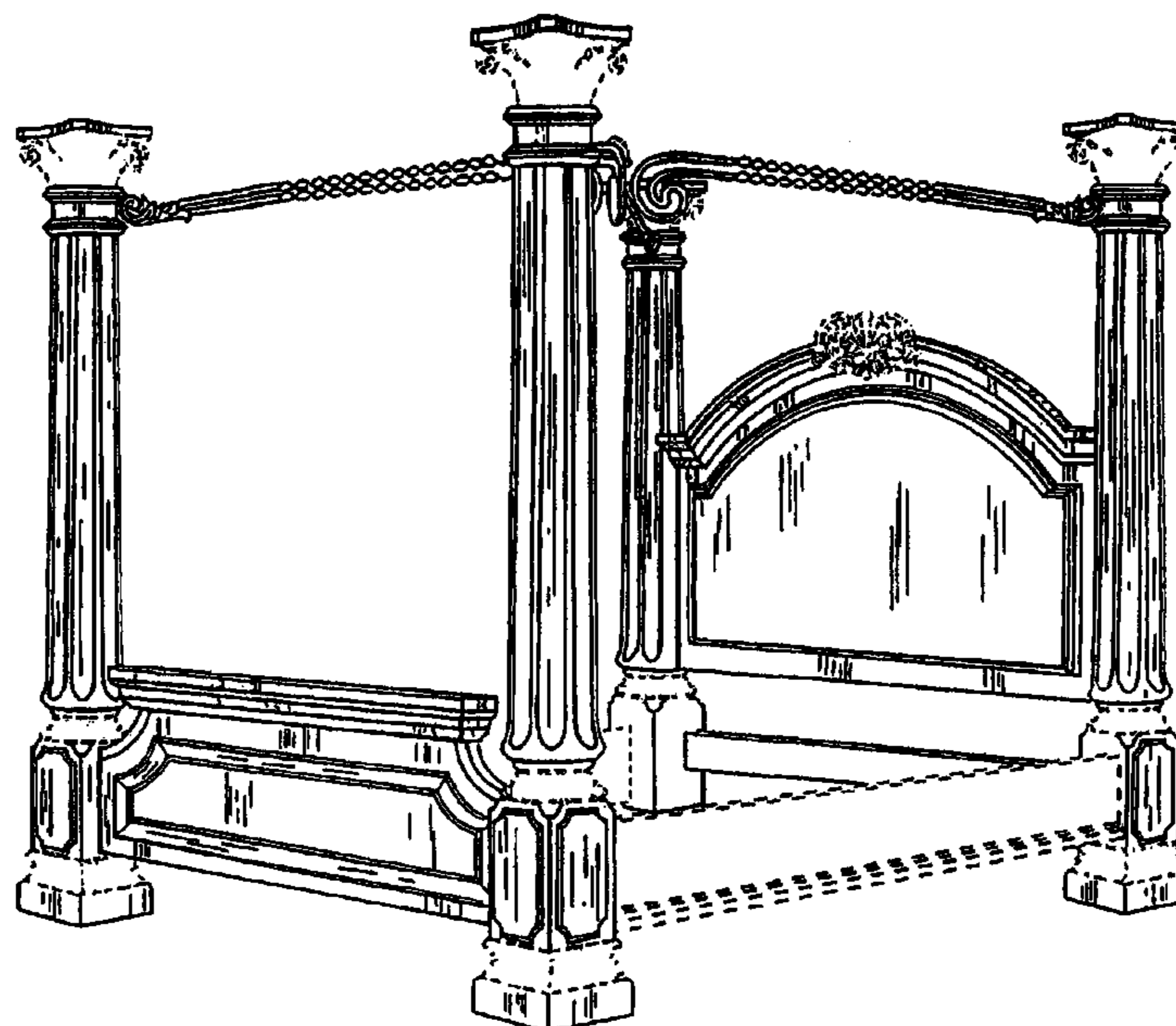
**DESCRIPTION**

FIG. 1 is a right front perspective view of a bed showing the design of the present invention.  
FIG. 2 is a top view of a bed showing the design of the present invention.  
FIG. 3 is a right side elevation view of a bed showing the design of the present invention.  
FIG. 4 is a front elevation view of the headboard portion of a bed showing the design of the present invention; and,  
FIG. 5 is a front elevation view of the tailboard portion of a bed showing the design of the present invention.  
The rear views of the headboard and tailboard portions are not shown and form no part of the claimed design. The headboard and tailboard are shown separately for convenience of illustration. The broken lines shown are for illustrative purposes only and form no part of the claimed design.

**1 Claim, 5 Drawing Sheets**

(56) **References Cited**  
U.S. PATENT DOCUMENTS

- D345,263 S \* 3/1994 Keller ..... D6/389  
D368,178 S 3/1996 Walters, III et al.  
D368,601 S 4/1996 Cain  
D372,809 S 8/1996 Keller  
D378,257 S 3/1997 Cain  
D391,095 S 2/1998 Walters, III et al.  
D401,432 S 11/1998 Lowery  
D417,089 S 11/1999 McDaniel et al.  
D418,691 S 1/2000 O'Hare  
D419,329 S 1/2000 Cain  
D422,167 S 4/2000 Vaaler  
D423,245 S \* 4/2000 McDaniel et al. .... D6/389  
D427,449 S 7/2000 O'Hare  
D443,152 S 6/2001 O'Hare et al.  
D443,445 S 6/2001 O'Hare et al.  
D448,947 S \* 10/2001 McDaniel et al. .... D6/389  
D454,719 S \* 3/2002 Vaaler ..... D6/389



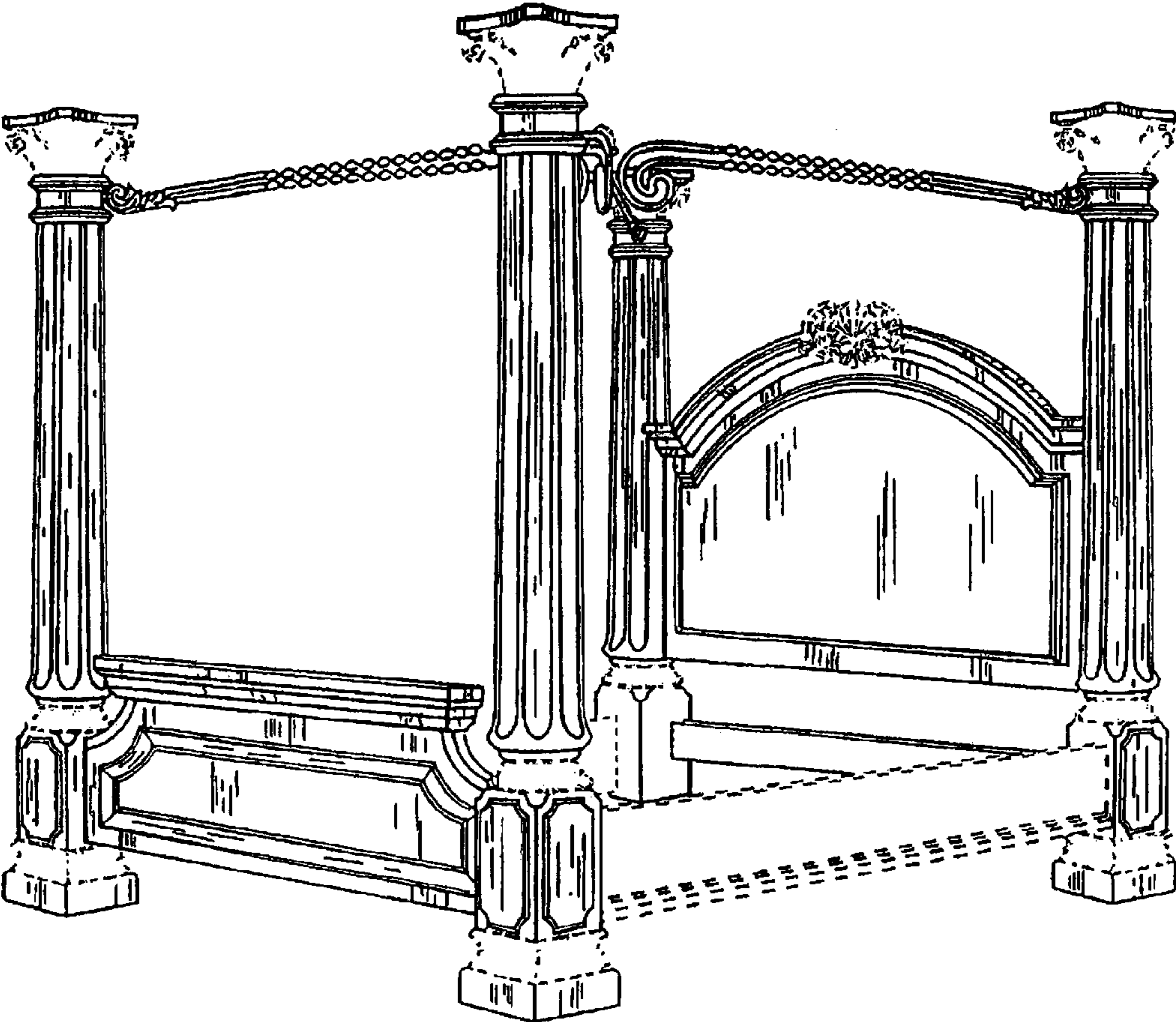


FIG. 1

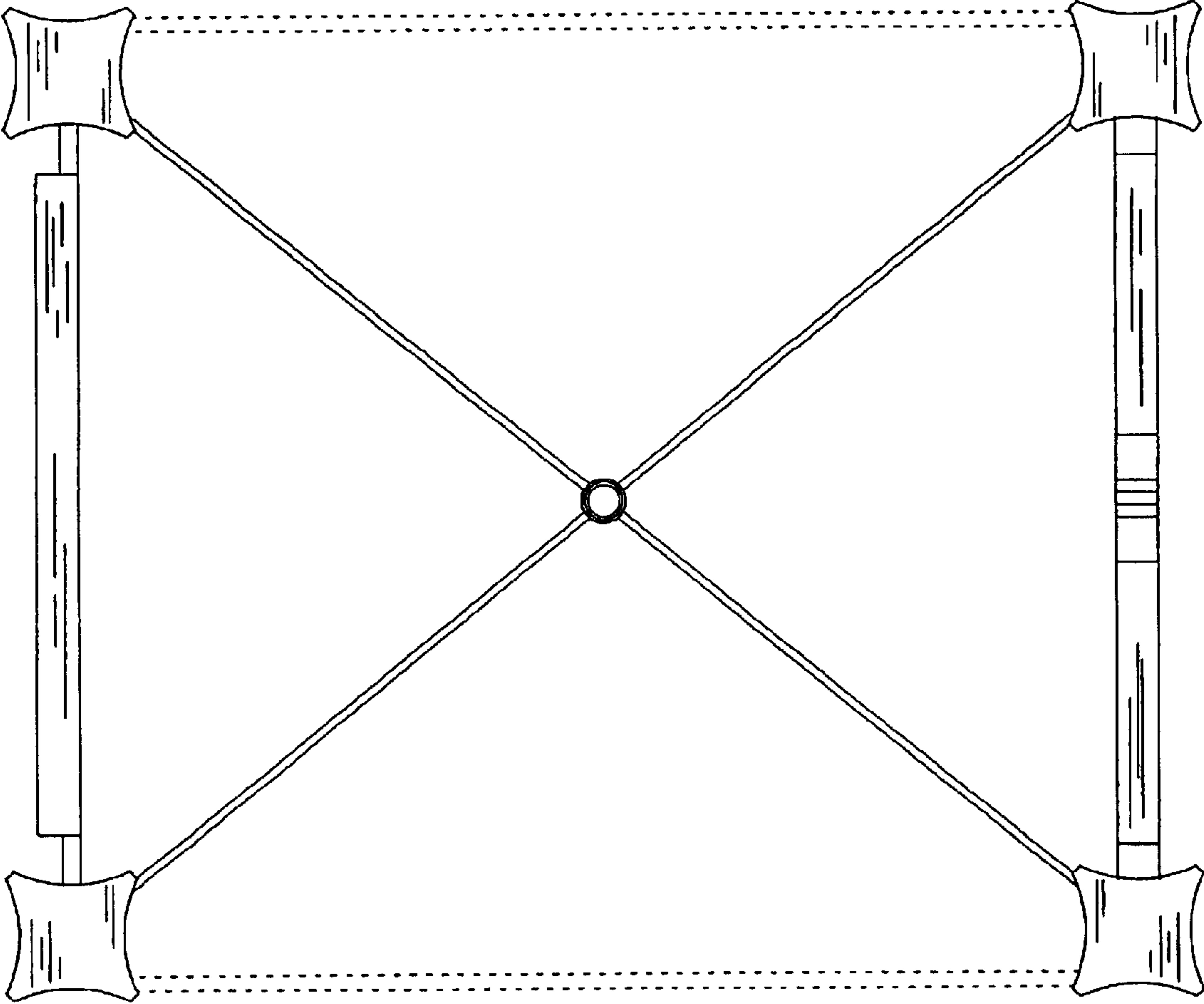


FIG. 2

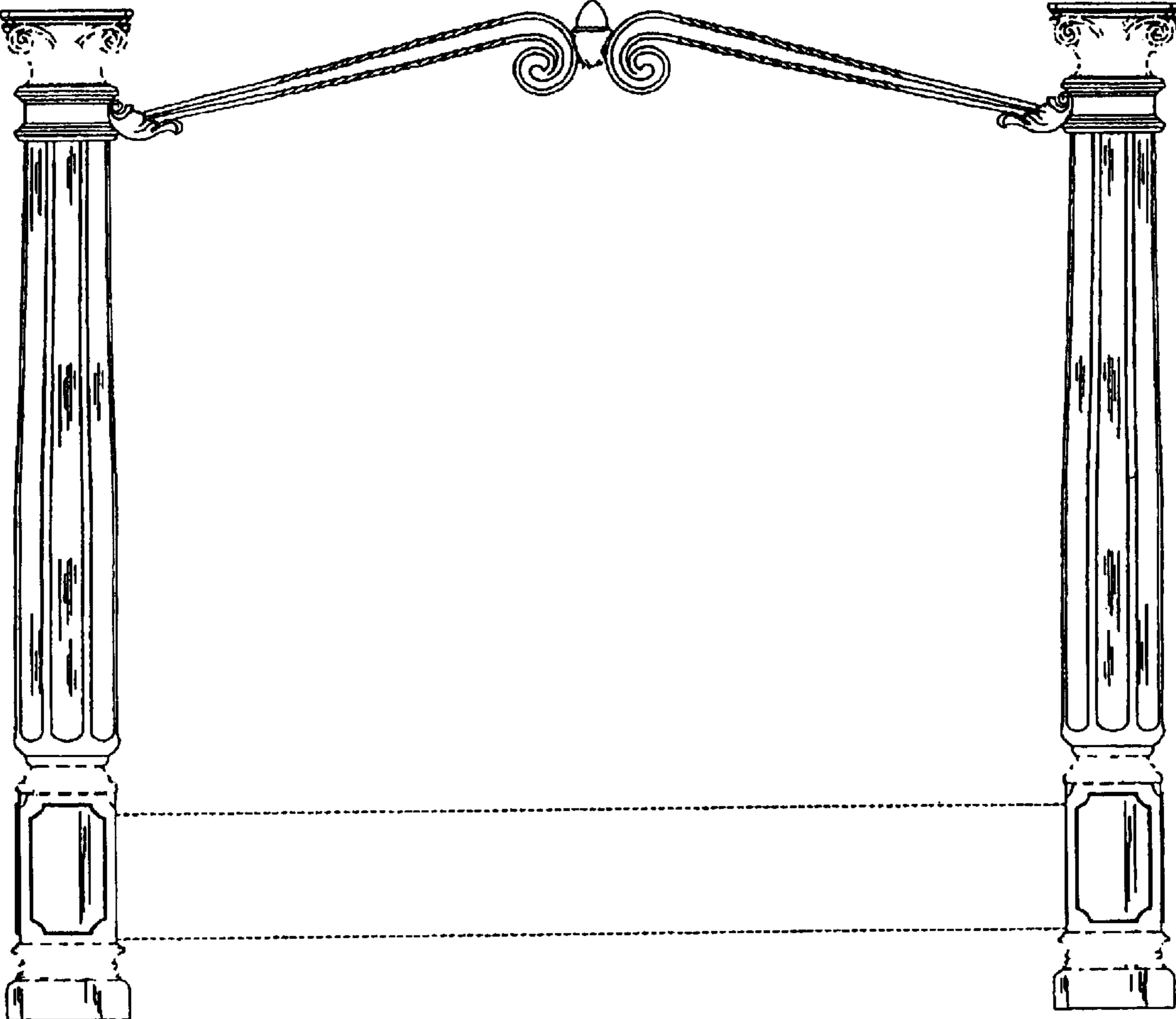


FIG. 3

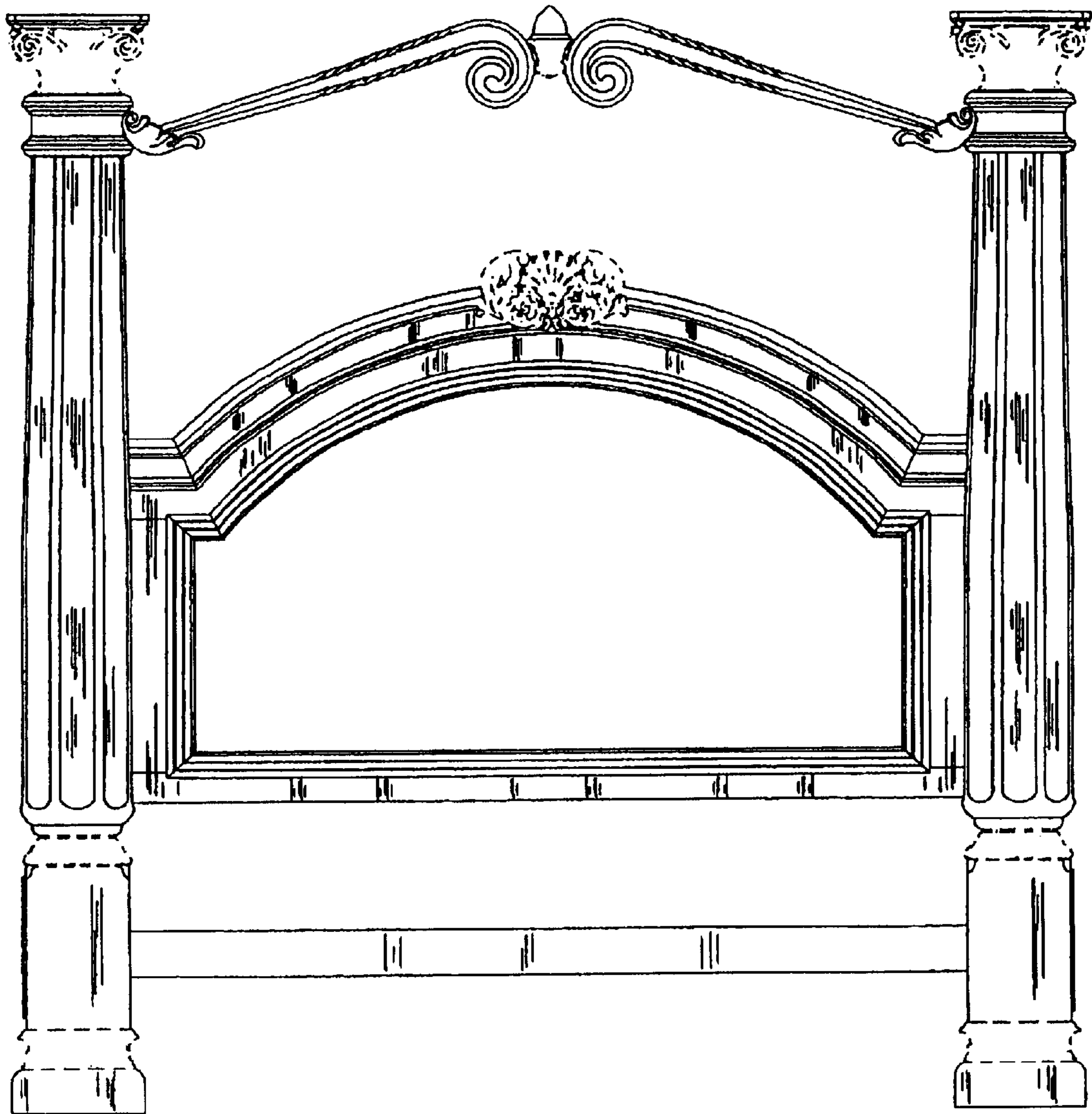


FIG. 4

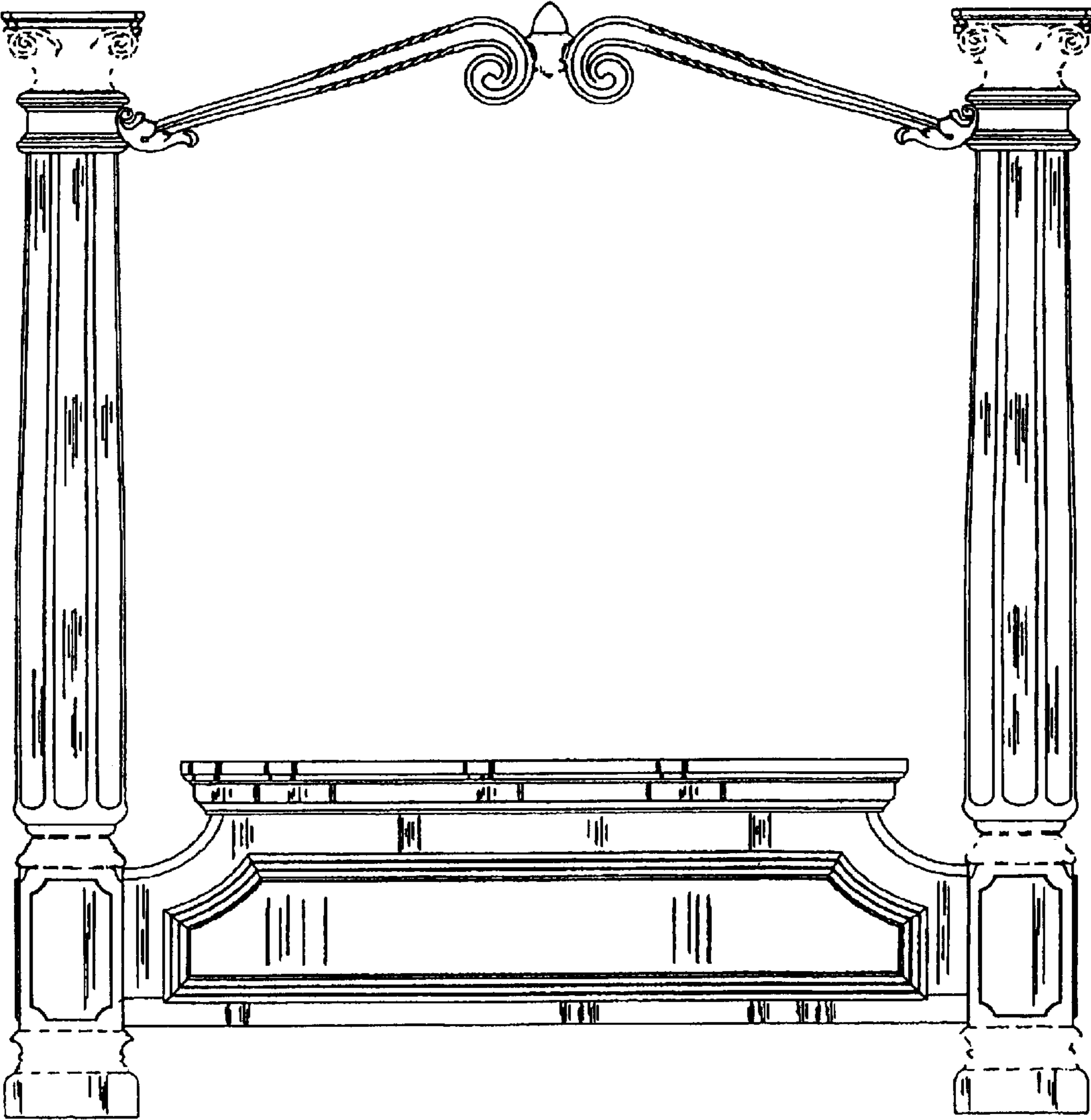


FIG. 5