

US00D499270S

(12) **United States Design Patent**
Relling et al.

(10) **Patent No.: US D499,270 S**
(45) **Date of Patent: ** Dec. 7, 2004**

(54) **SEATING UNIT**
(75) Inventors: **Harald Relling**, Ikorntnes (NO); **Jan Lade**, Ikorntnes (NO)
(73) Assignee: **Ekornes ASA**, Ikorntnes (NO)
(**) Term: **14 Years**

3,700,282 A * 10/1972 Rowland D6/371 X
4,343,509 A * 8/1982 Lundgren 297/232
D390,019 S * 2/1998 Lee D6/334
D401,078 S * 11/1998 Relling D6/381
D442,375 S * 5/2001 Stammberger D6/335
D474,905 S * 5/2003 Ricci D6/381
D492,499 S * 7/2004 Relling et al. D6/381

* cited by examiner

(21) Appl. No.: **29/197,056**
(22) Filed: **Jan. 9, 2004**

Primary Examiner—Gary D. Watson
(74) *Attorney, Agent, or Firm*—Kolisch Hartwell, P.C.

Related U.S. Application Data

(62) Division of application No. 29/168,772, filed on Oct. 7, 2002, now Pat. No. Des. 492,499.
(51) **LOC (7) Cl.** **06-01**
(52) **U.S. Cl.** **D6/381**
(58) **Field of Search** D6/334, 335, 336, D6/371, 381, 500, 501, 502; 5/12.1; 297/232

(57) **CLAIM**

The ornamental design for a seating unit, as shown and described.

DESCRIPTION

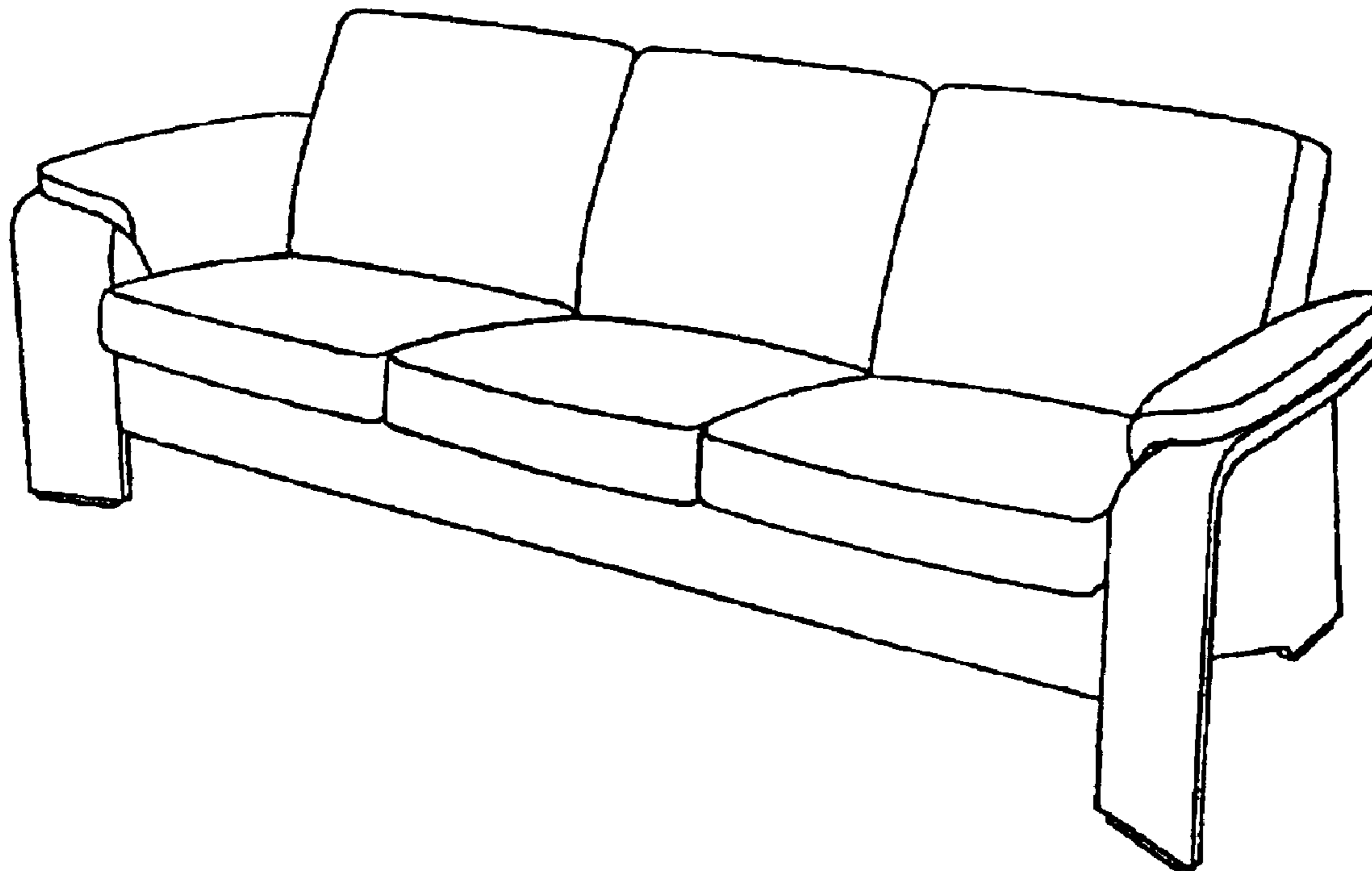
FIG. 1 is a perspective view of one embodiment of the seating unit of the present invention; and,
FIG. 2 is a back view of the embodiment of FIG. 1.

(56) **References Cited**

U.S. PATENT DOCUMENTS

D224,766 S * 9/1972 Rowland D6/371

1 Claim, 1 Drawing Sheet



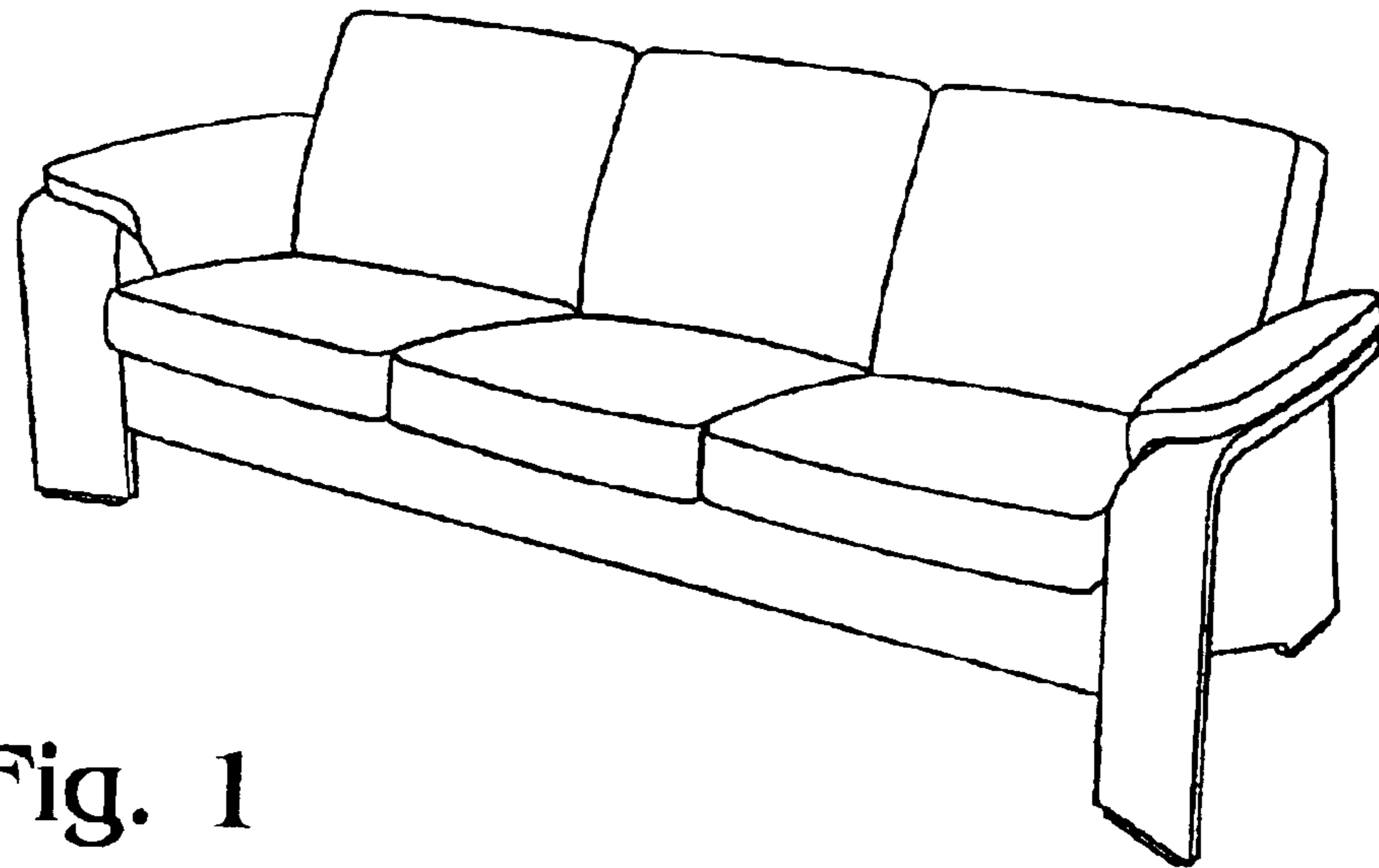


Fig. 1

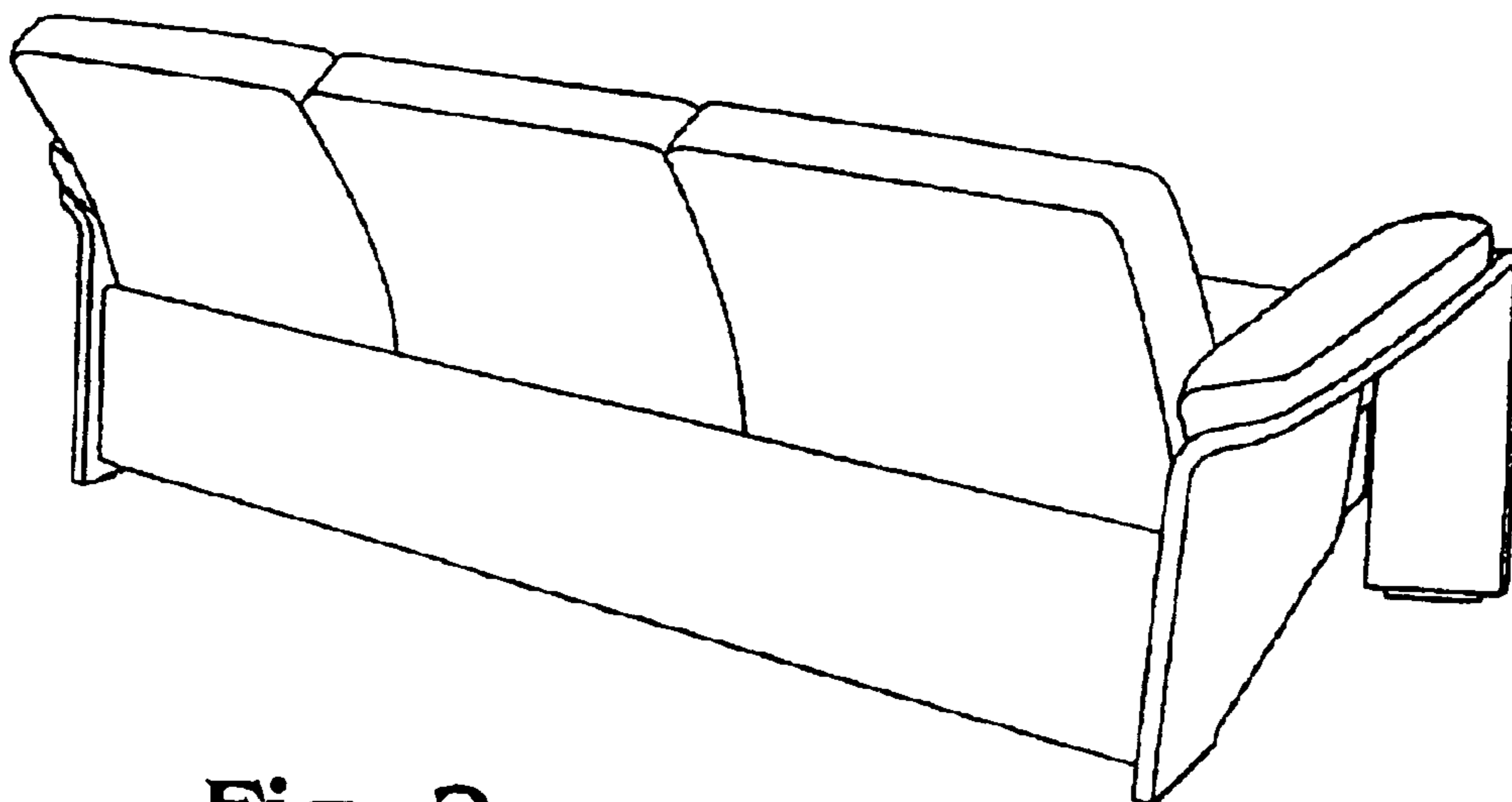


Fig. 2