

US00D499256S

(12) **United States Design Patent**  
**Fraser et al.**

(10) **Patent No.:** **US D499,256 S**

(45) **Date of Patent:** **\*\* Dec. 7, 2004**

(54) **BATHROOM HOOK**

(75) Inventors: **Simon Fraser**, Wellington (NZ);  
**Ferdinand Alexander Porsche**, Gries  
(AT); **Christian Schwamkrug**, Zell am  
See (AT)

(73) Assignee: **Friedrich Grohe AG & Co. KG**,  
Hemer (DE)

(\*\*) Term: **14 Years**

(21) Appl. No.: **29/179,883**

(22) Filed: **Apr. 16, 2003**

(30) **Foreign Application Priority Data**

Nov. 15, 2002 (DE) ..... 40209499

(51) **LOC (7) Cl.** ..... **06-08**

(52) **U.S. Cl.** ..... **D6/323**

(58) **Field of Search** ..... D6/323, 315, 320,  
D6/326, 512, 524, 553; D8/349, 367, 373,  
395; 211/86.01, 87.01, 106.01, 119.009;  
223/85, DIG. 4; 248/339

(56) **References Cited**

**U.S. PATENT DOCUMENTS**

D175,819 S \* 10/1955 Young ..... D23/252  
D280,543 S \* 9/1985 Paul ..... D23/242

D290,496 S \* 6/1987 Ryan ..... D23/252  
D311,439 S \* 10/1990 Kohler et al. .... D23/250  
D416,139 S \* 11/1999 Roth et al. .... D6/323  
D453,271 S \* 2/2002 Gilbert et al. .... D6/323  
D464,812 S \* 10/2002 Yen ..... D6/323  
D482,760 S \* 11/2003 Fraser et al. .... D23/252  
D489,559 S \* 5/2004 Fraser et al. .... D6/549  
D490,503 S \* 5/2004 Fraser et al. .... D23/255  
D492,390 S \* 6/2004 Fraser et al. .... D23/241  
D493,211 S \* 7/2004 Fraser et al. .... D23/241

\* cited by examiner

*Primary Examiner*—Prabhakar Deshmukh

*Assistant Examiner*—Daniel Bui

(74) *Attorney, Agent, or Firm*—Herbert Dubno

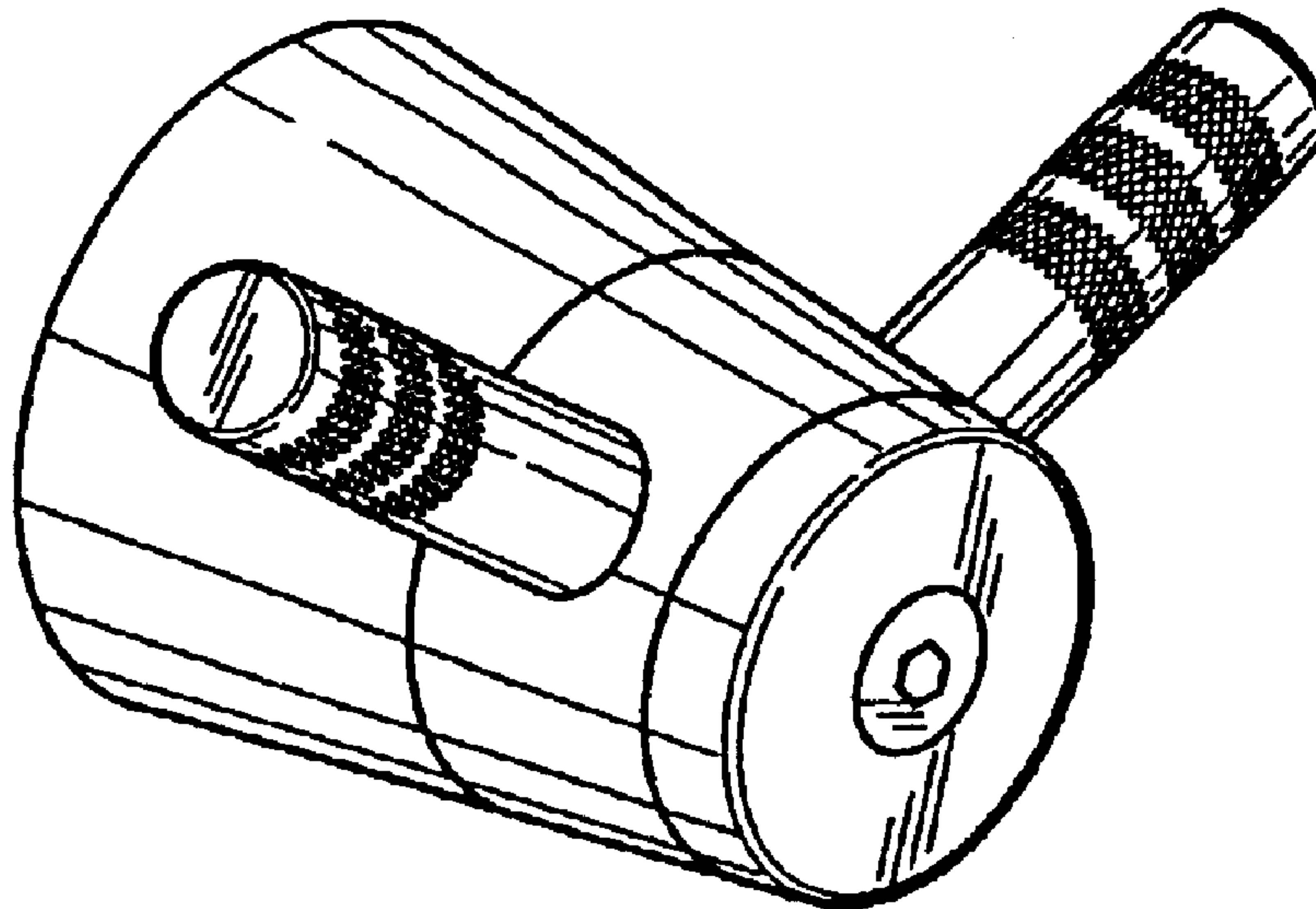
(57) **CLAIM**

The ornamental design for a bathroom hook, as shown and described.

**DESCRIPTION**

FIG. 1 is a top, front, left-side perspective view of a bathroom hook showing our new design; FIG. 2 is a rear elevational view thereof; FIG. 3 is a left side elevational view thereof, the right side elevational view being mirror symmetrical thereto; FIG. 4 is a top plan view thereof; FIG. 5 is a front elevational view thereof; and, FIG. 6 is a bottom plan view thereof.

**1 Claim, 2 Drawing Sheets**



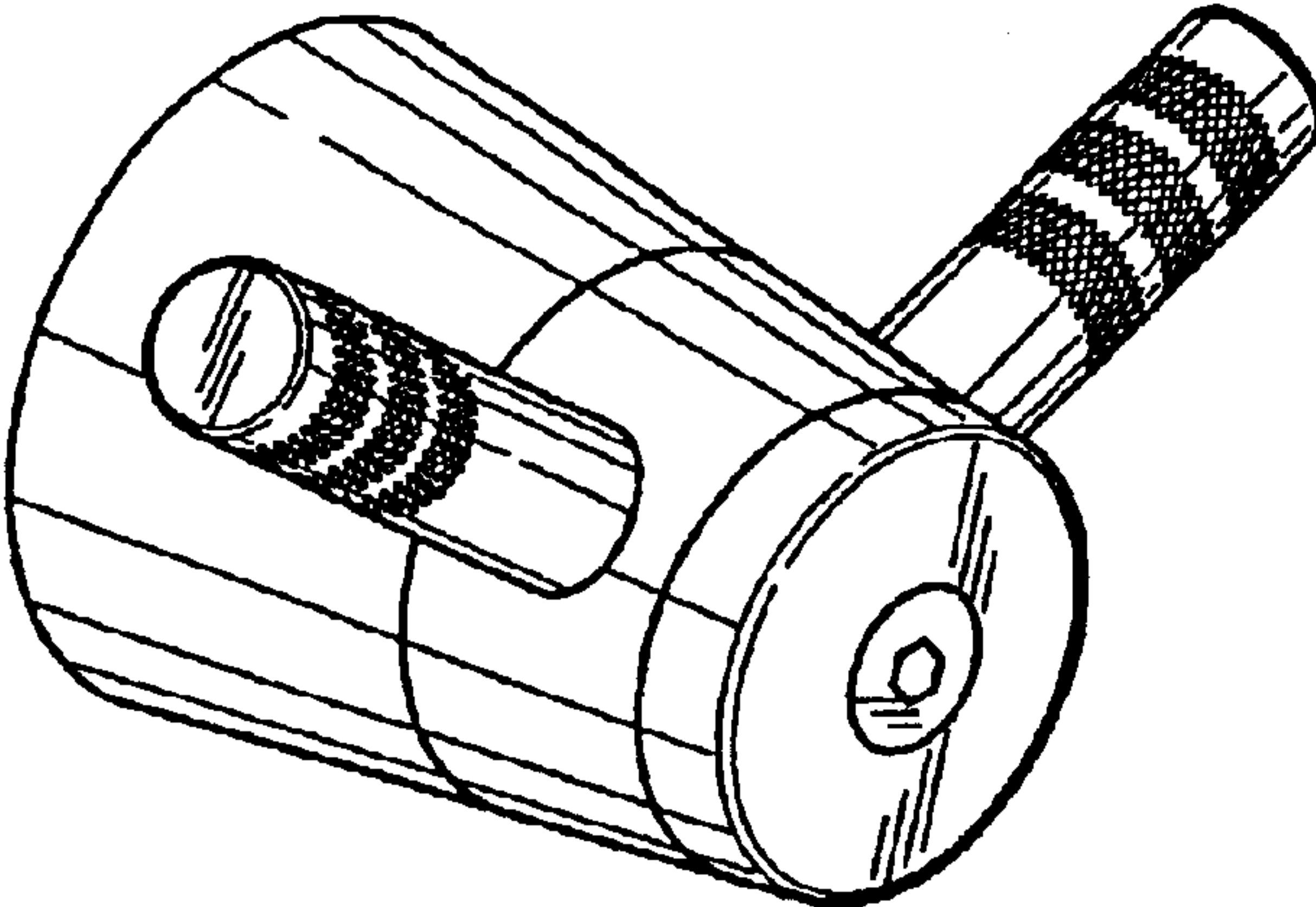


FIG. 1

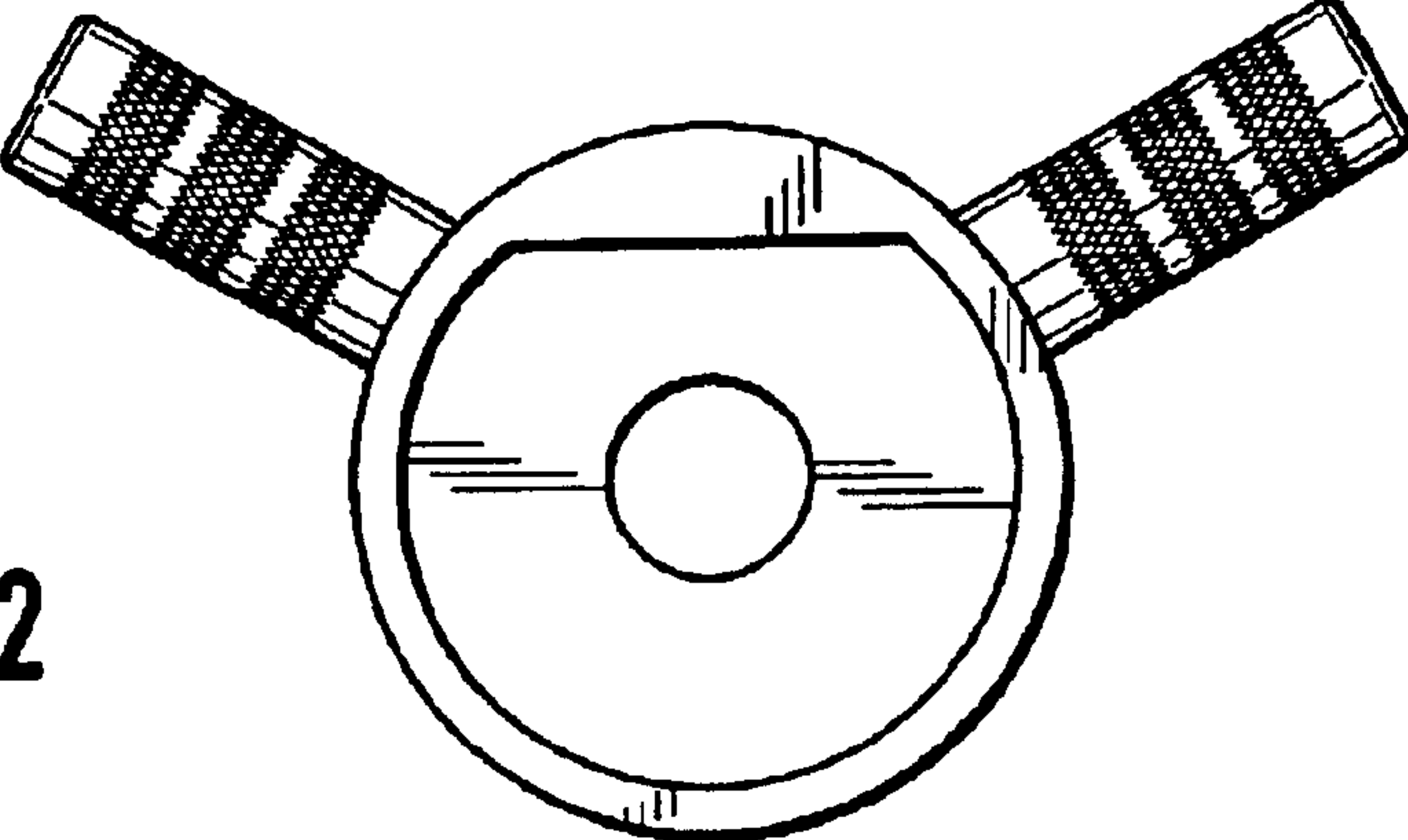


FIG. 2

FIG. 4

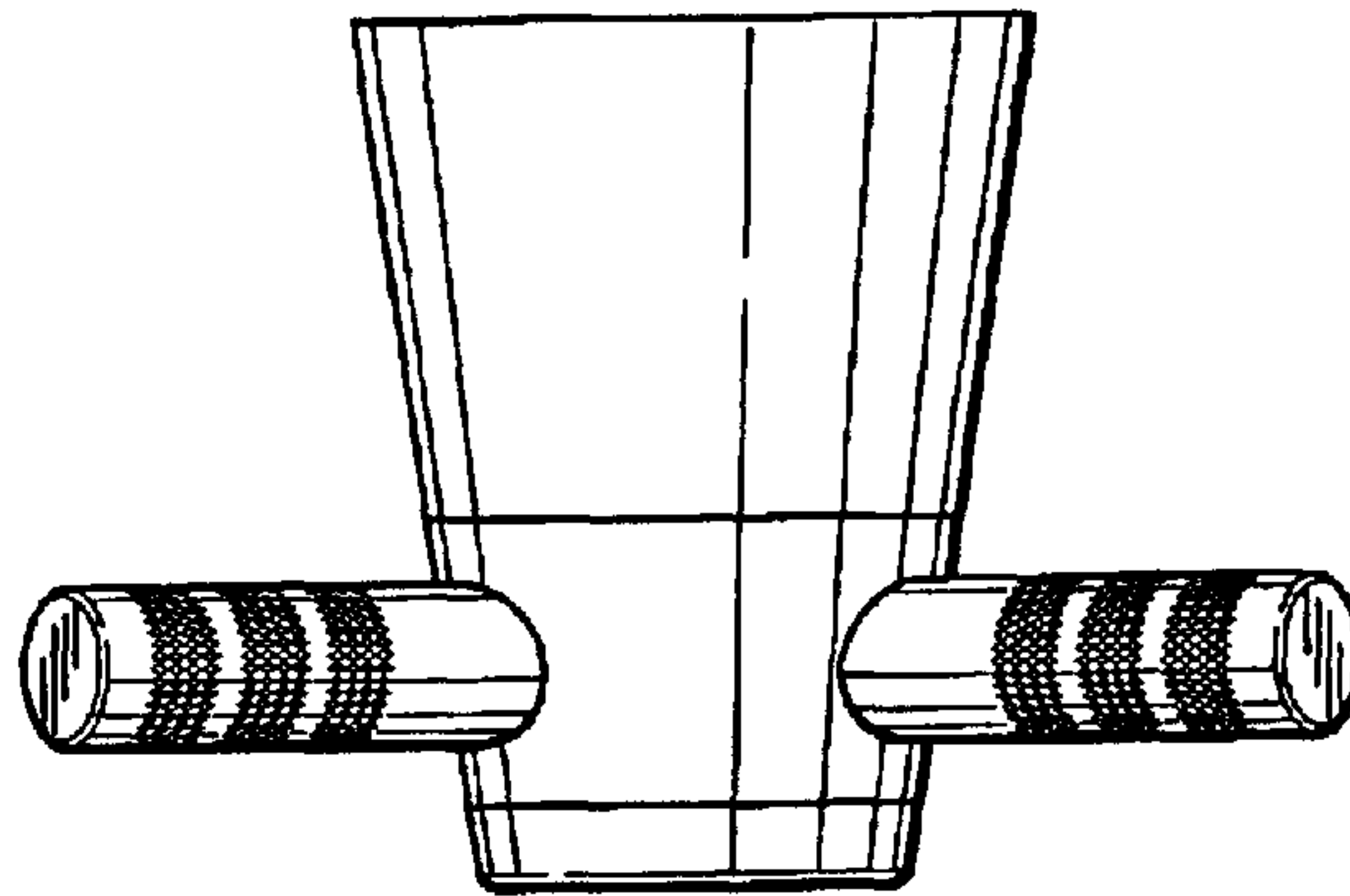


FIG. 3

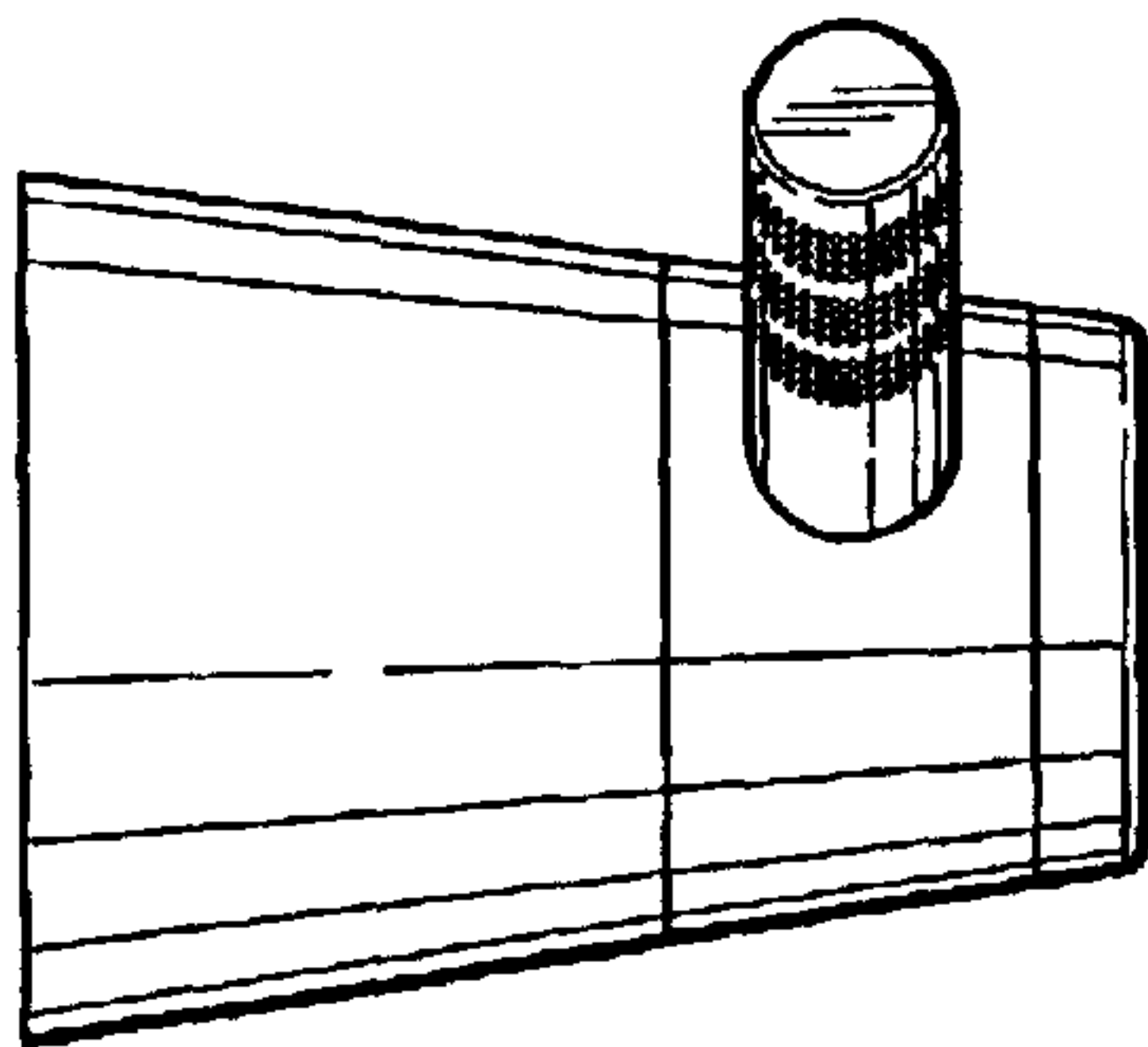


FIG. 5

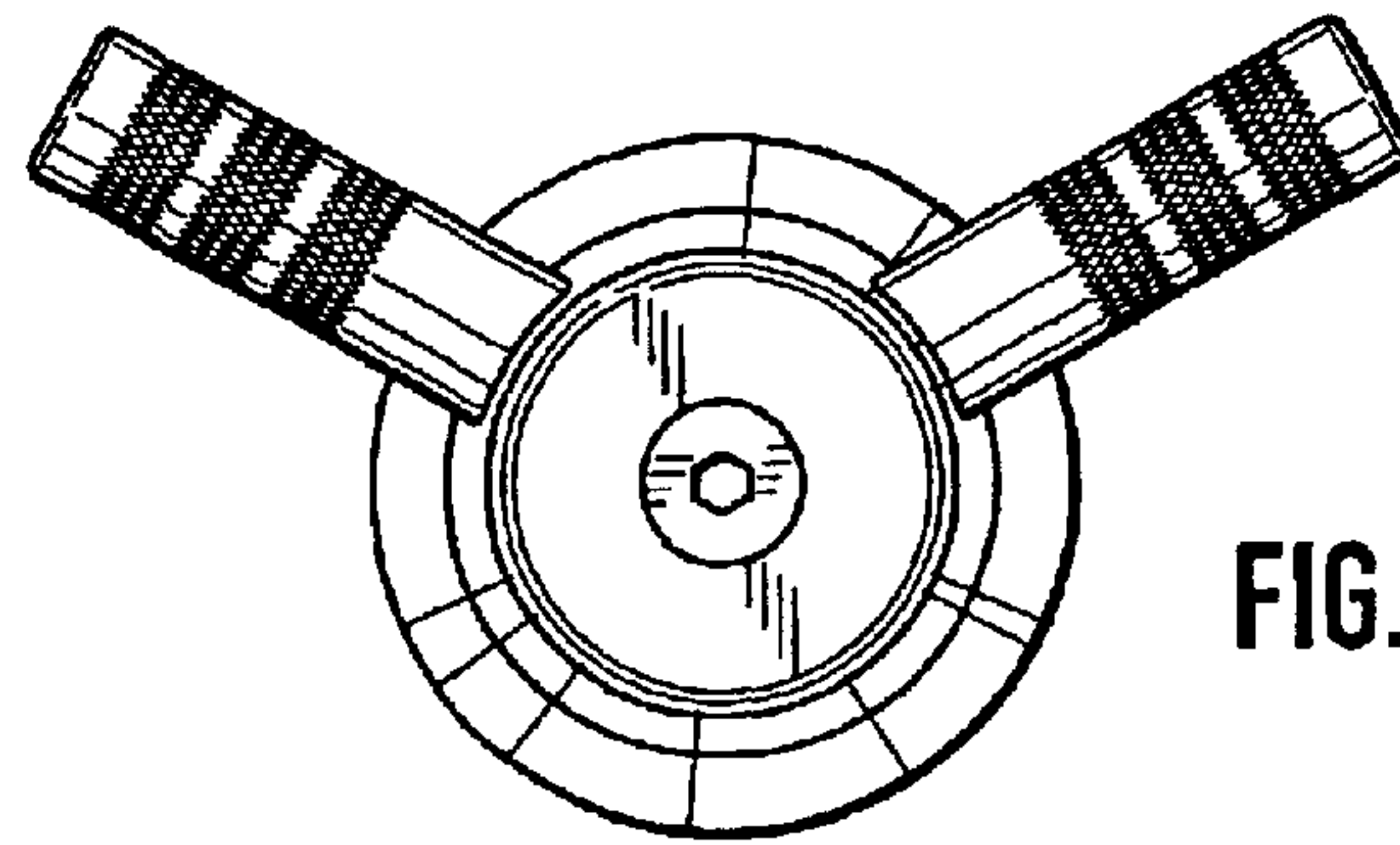


FIG. 6

