



US00D499254S

(12) **United States Design Patent** (10) **Patent No.:** **US D499,254 S**
Adam (45) **Date of Patent:** **** Dec. 7, 2004**

(54) **FOLDING TRUE IMAGE MIRROR**

(76) Inventor: **John M. Adam**, 818 Colston Rd., Marietta, GA (US) 30060

(**) Term: **14 Years**

(21) Appl. No.: **29/190,078**

(22) Filed: **Sep. 15, 2003**

(51) **LOC (7) Cl.** **06-07**

(52) **U.S. Cl.** **D6/300; D6/301**

(58) **Field of Search** D6/300-303, 308-314, D6/444; 40/700, 711, 714-716, 721, 722, 735, 737, 745, 750, 765, 790, 798; 359/838, 871, 882, 872

(56) **References Cited**

U.S. PATENT DOCUMENTS

2,201,251	A	*	5/1940	Van Patten	362/141
4,271,618	A	*	6/1981	Lyman	40/733
D309,986	S	*	8/1990	Sakai	D6/308
D364,042	S	*	11/1995	Chavez et al.	D6/314
D446,809	S	*	8/2001	Parker	D6/300

* cited by examiner

Primary Examiner—Janice E. Seeger

(74) *Attorney, Agent, or Firm*—Harry I. Leon

(57) **CLAIM**

The ornamental design for a folding true image mirror, as shown and described.

DESCRIPTION

FIG. 1 is a top perspective view of the folding true image mirror in the 270 degrees open position for true image viewing, the broken lines showing a person and her image is for illustrative purposes only and forming no part of the claimed design;

FIG. 2 is a top perspective view of the folding mirror in the 270 degrees open position according to FIG. 1;

FIG. 3 is a top plan view of the folding mirror in the position according to FIG. 1;

FIG. 4 is a left side elevational view of the folding mirror in the position according to FIG. 1;

FIG. 5 is a right side elevational view of the folding mirror in the position according to FIG. 1;

FIG. 6 is a back side elevational view of the folding mirror in the position according to FIG. 1;

FIG. 7 is a top plan view of the folding mirror shown in the 180 degrees open position;

FIG. 8 is a front side elevational view of the folding mirror in the position according to FIG. 7;

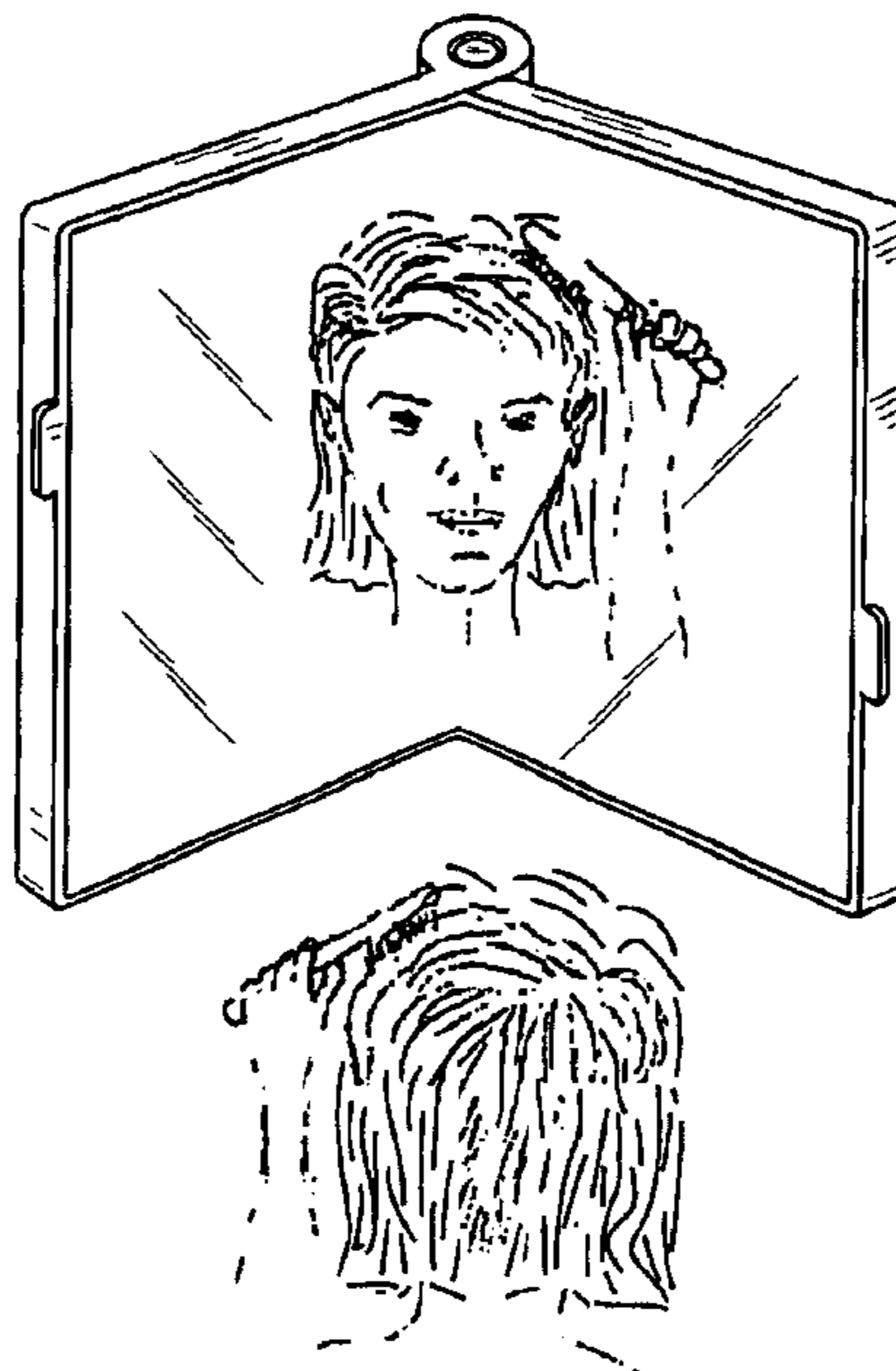
FIG. 9 is a back side elevational view of the folding mirror in the position according to FIG. 7;

FIG. 10 is a top plan view the folding mirror shown in the closed position;

FIG. 11 is a front side elevational view of the folding mirror in the position according to FIG. 10; and,

FIG. 12 is a back side elevational view of the folding mirror in the position according to FIG. 10.

1 Claim, 4 Drawing Sheets



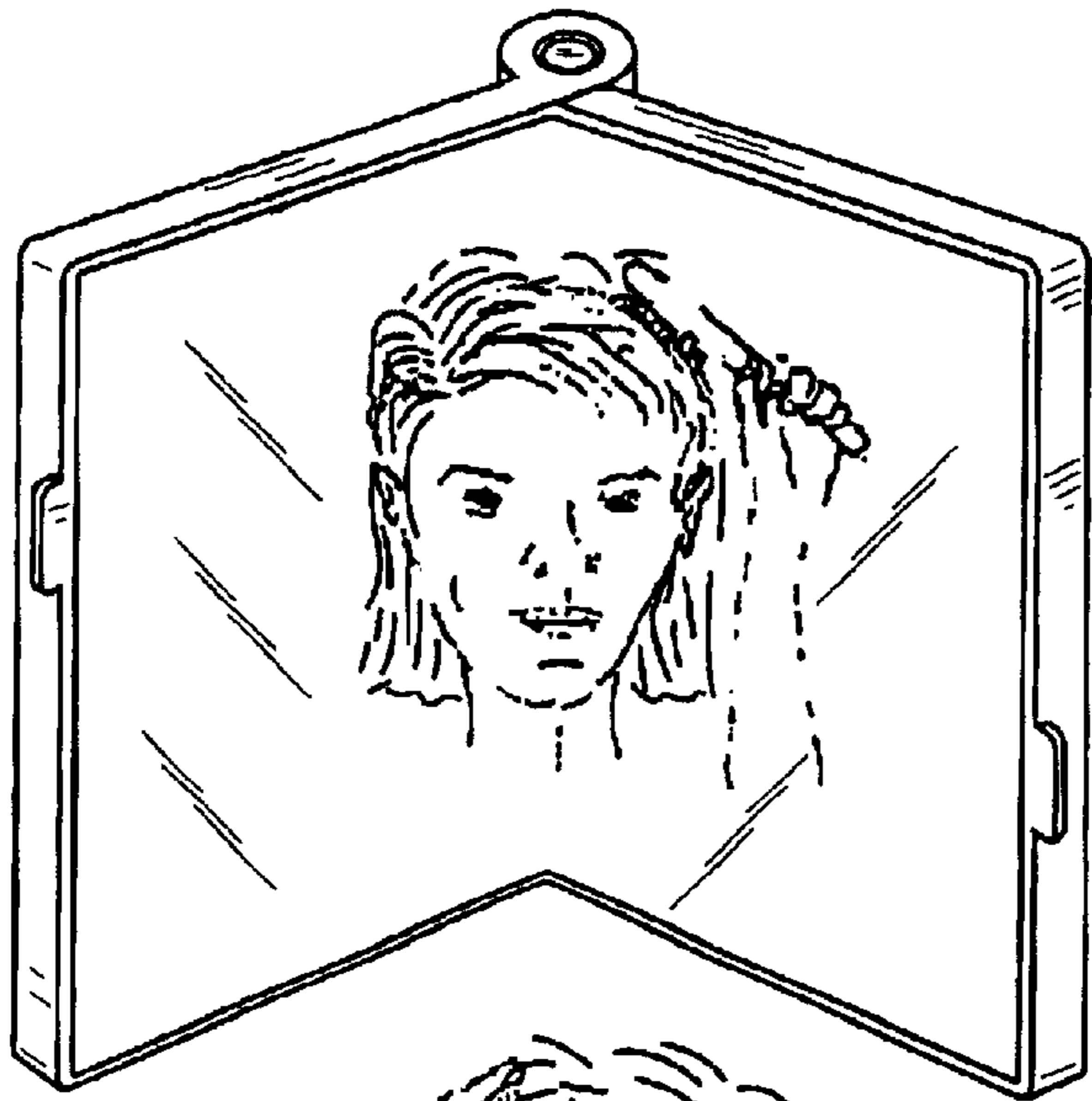


Fig. 1

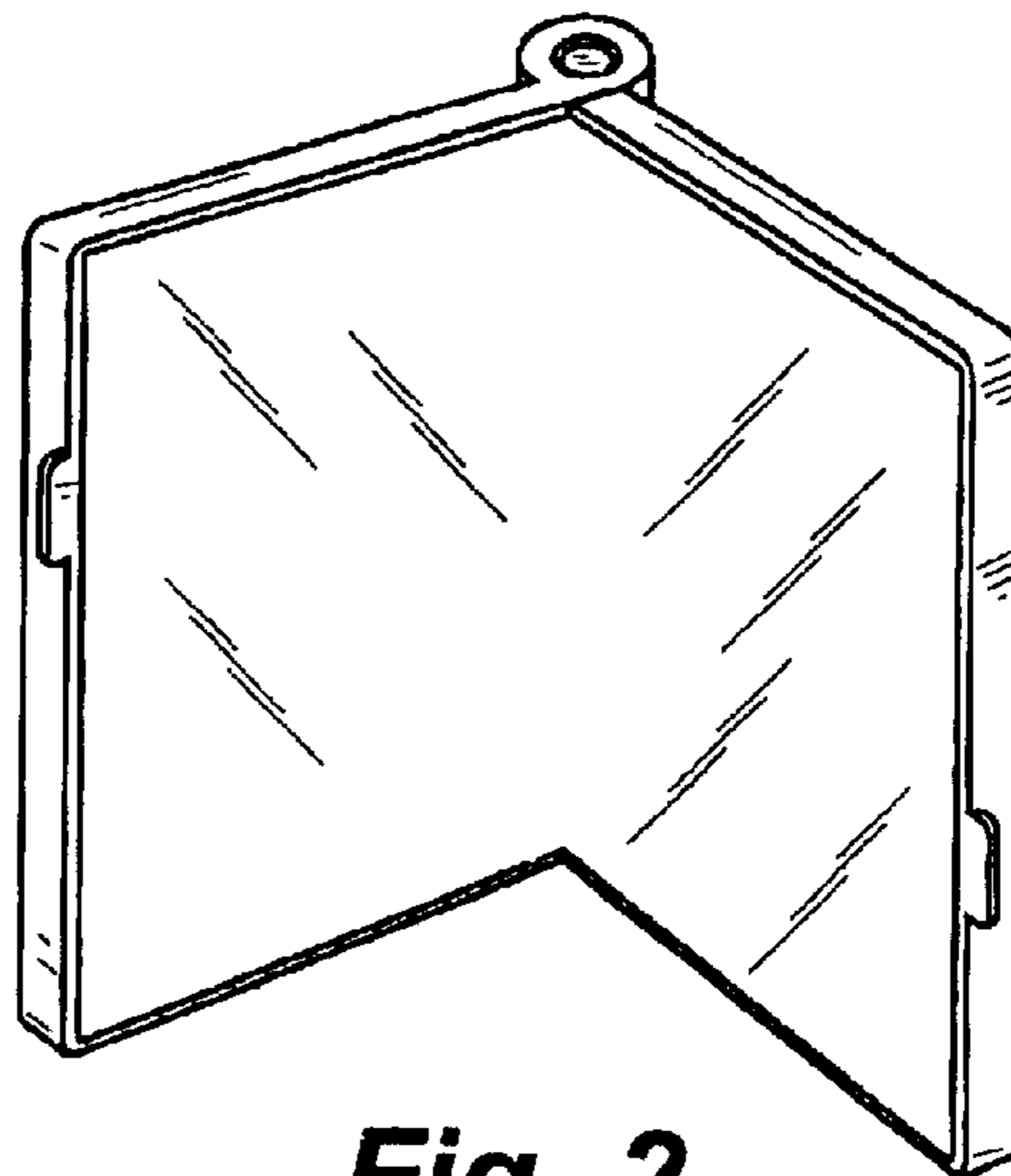


Fig. 2

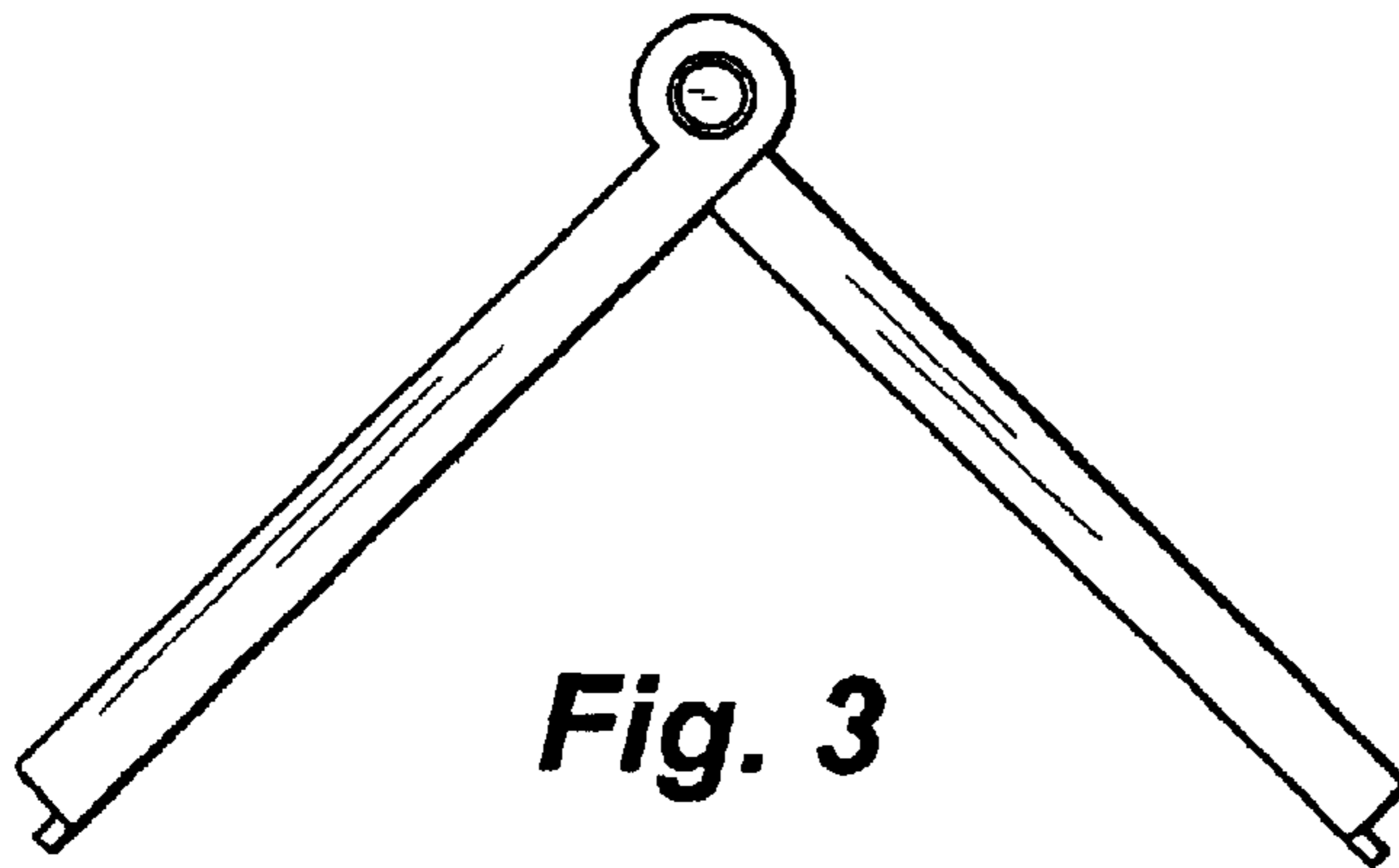


Fig. 3

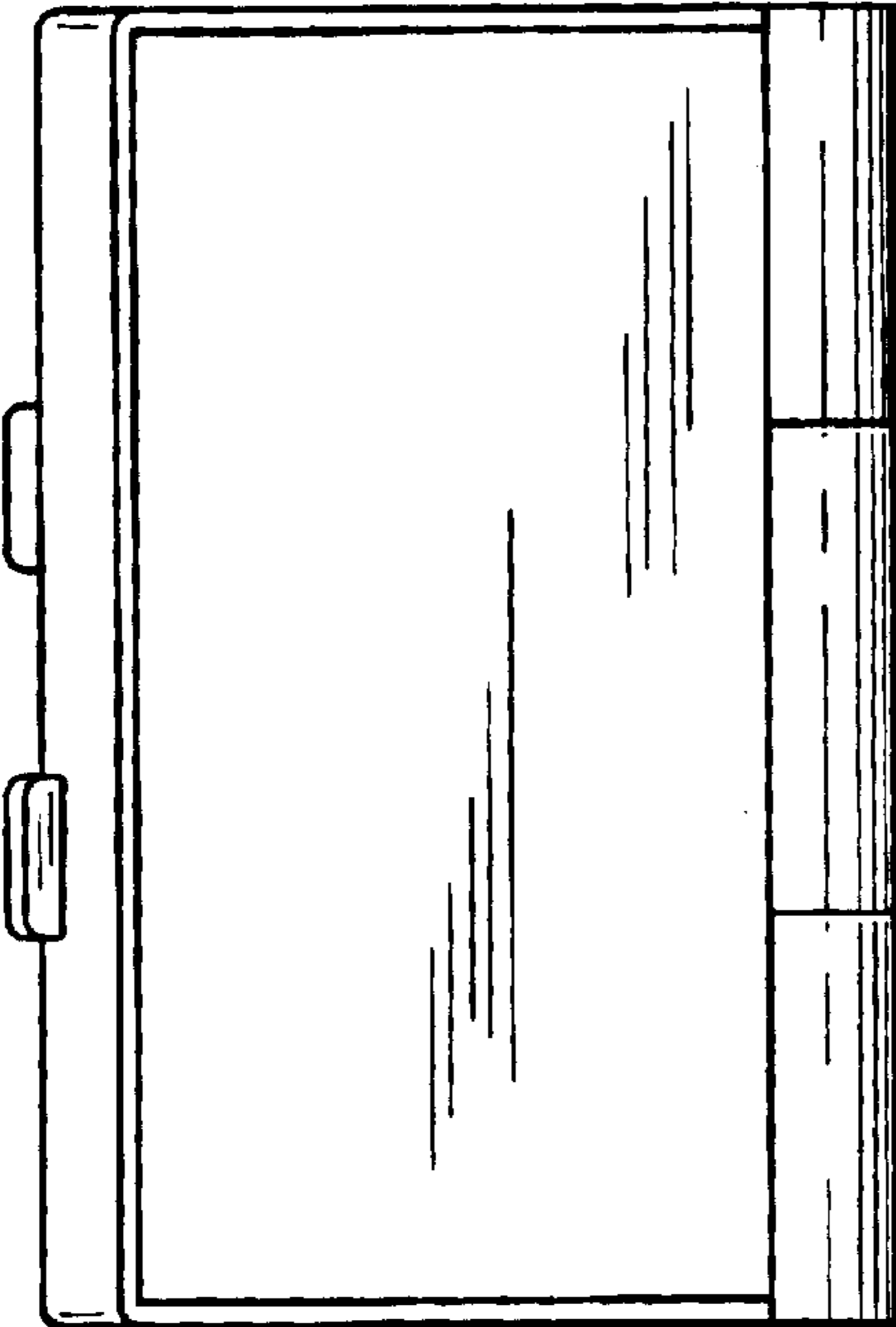


Fig. 4

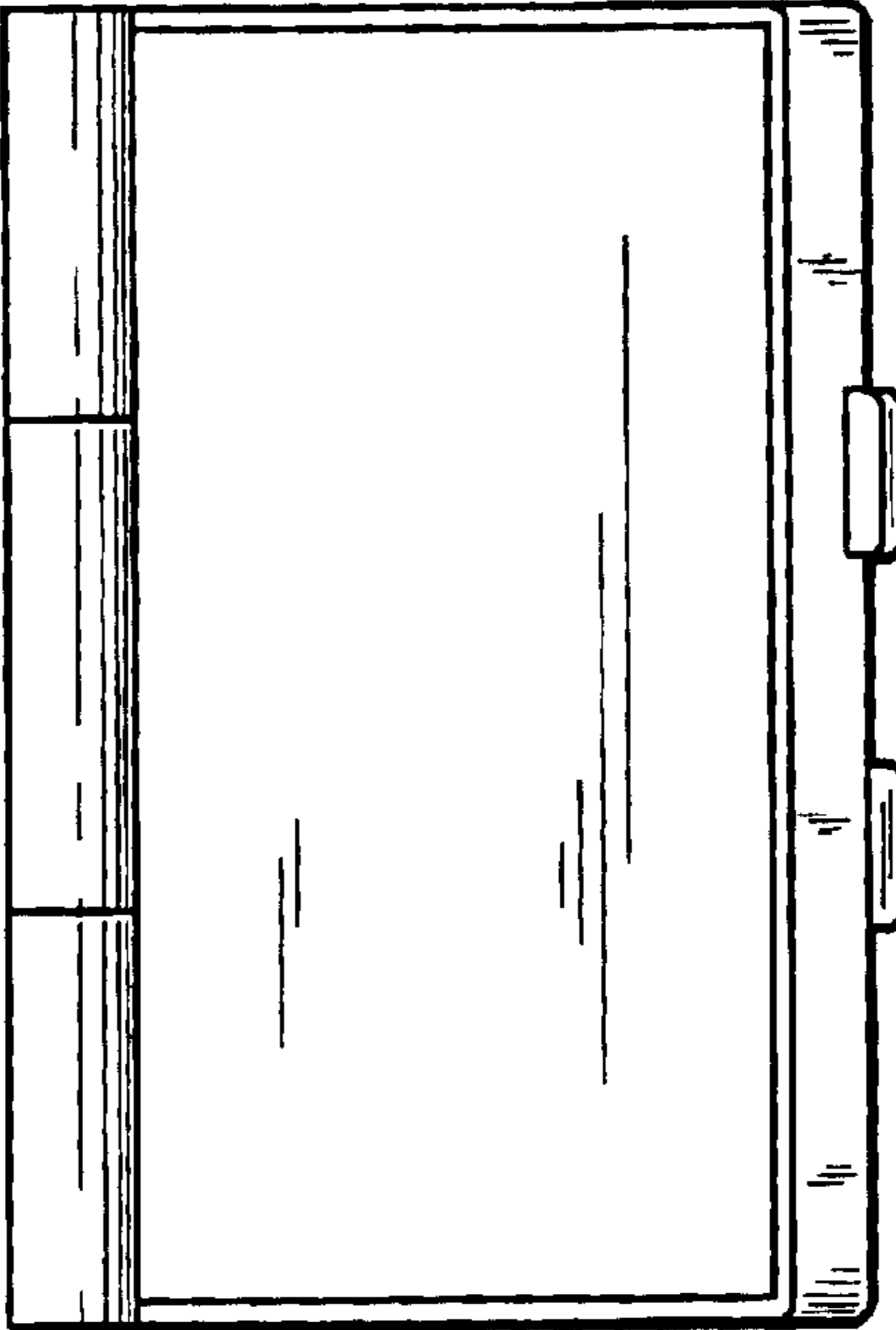


Fig. 5

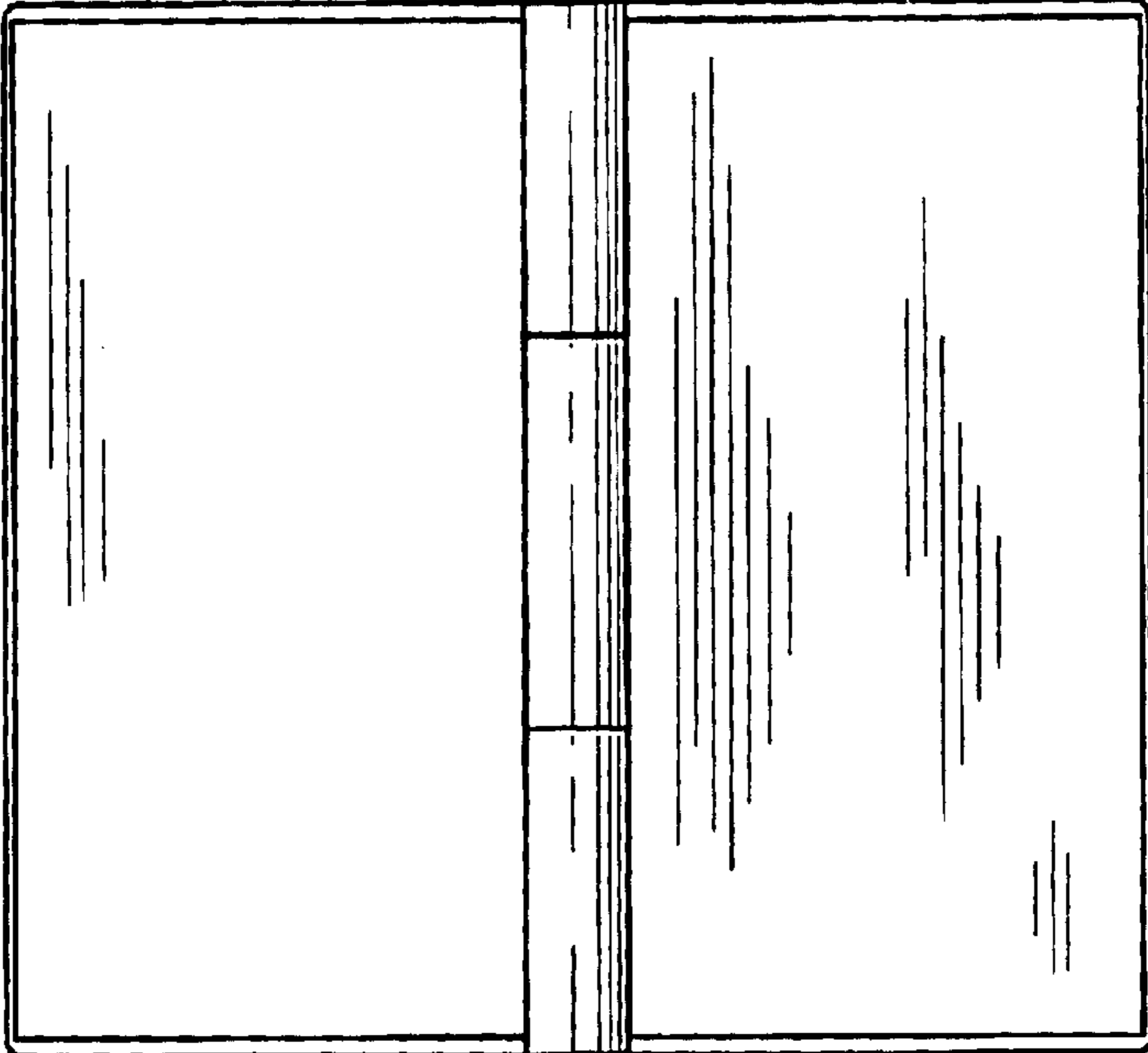


Fig. 6



Fig. 7

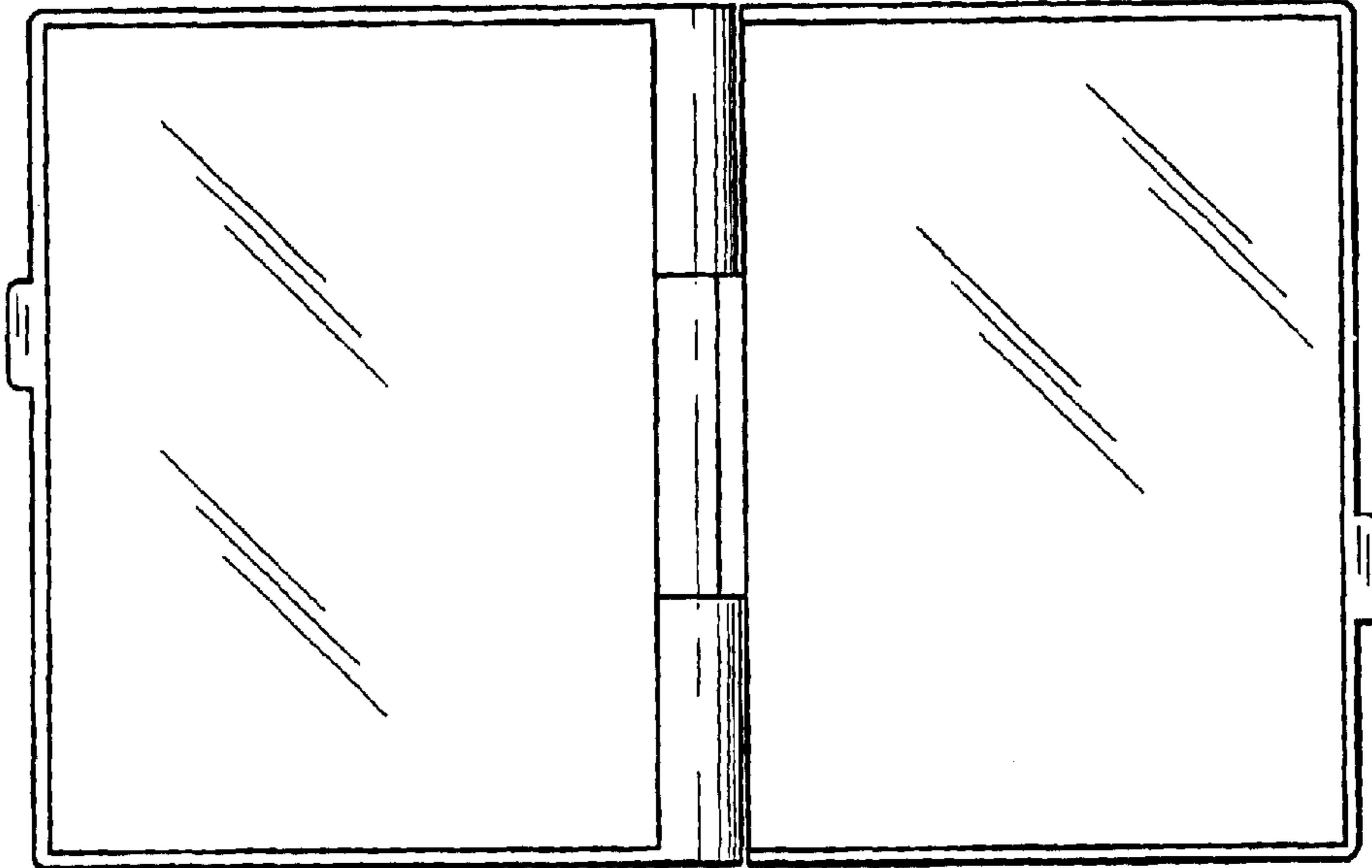


Fig. 8

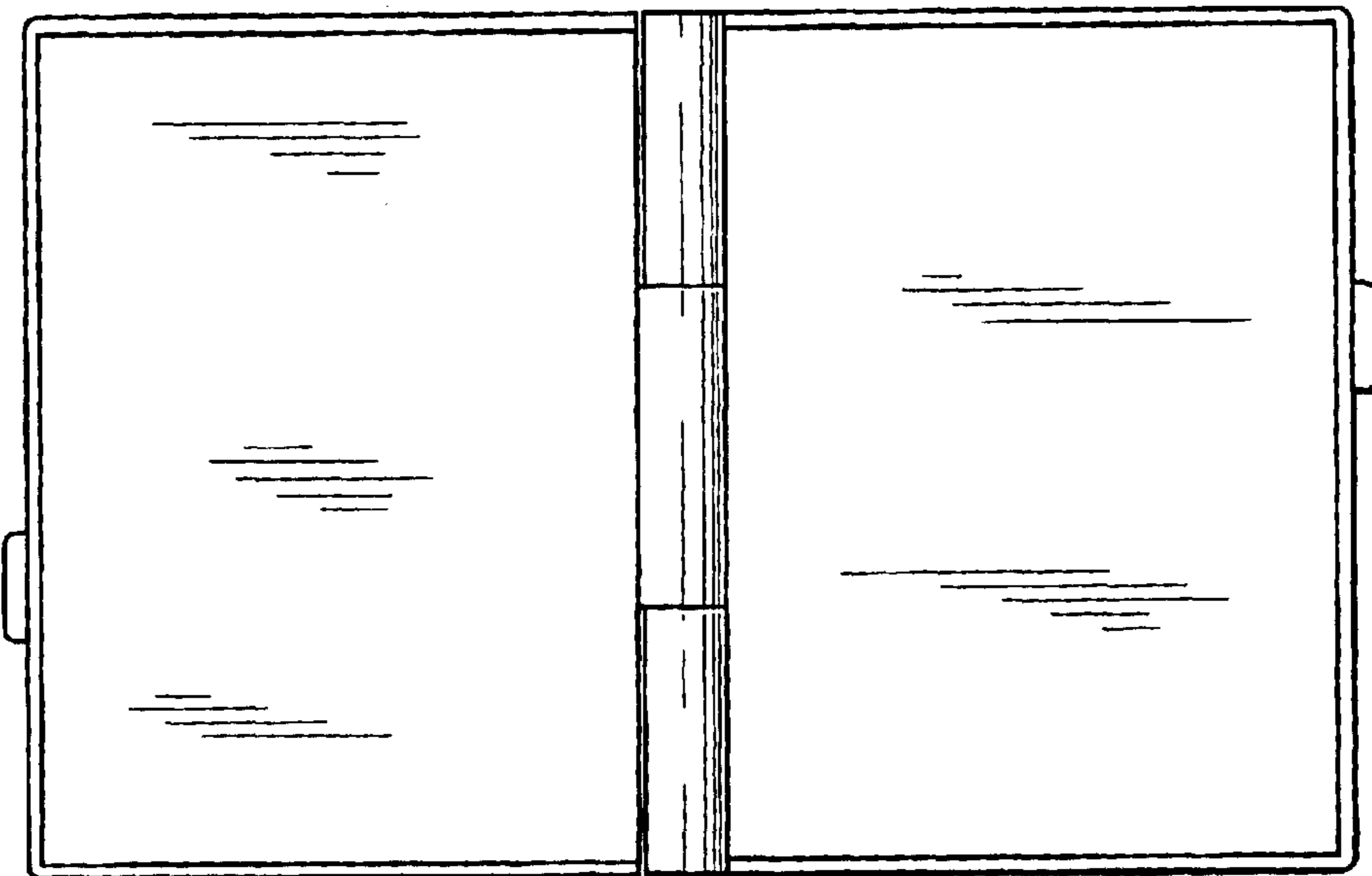


Fig. 9

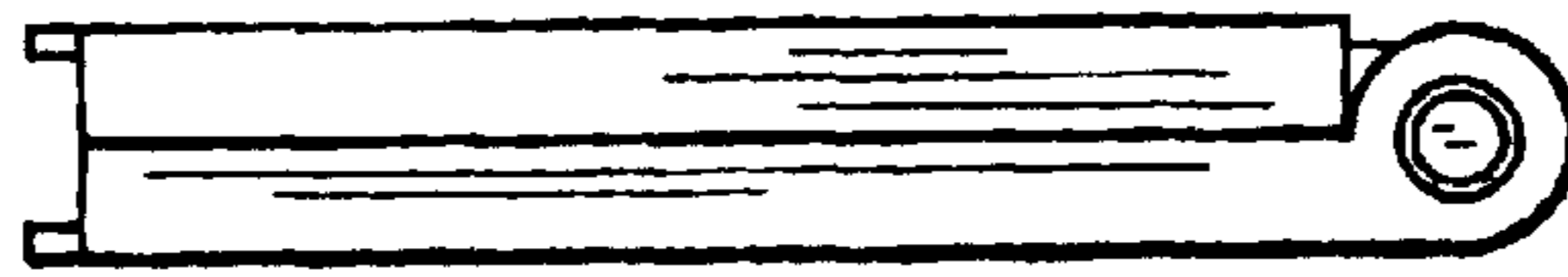


Fig. 10

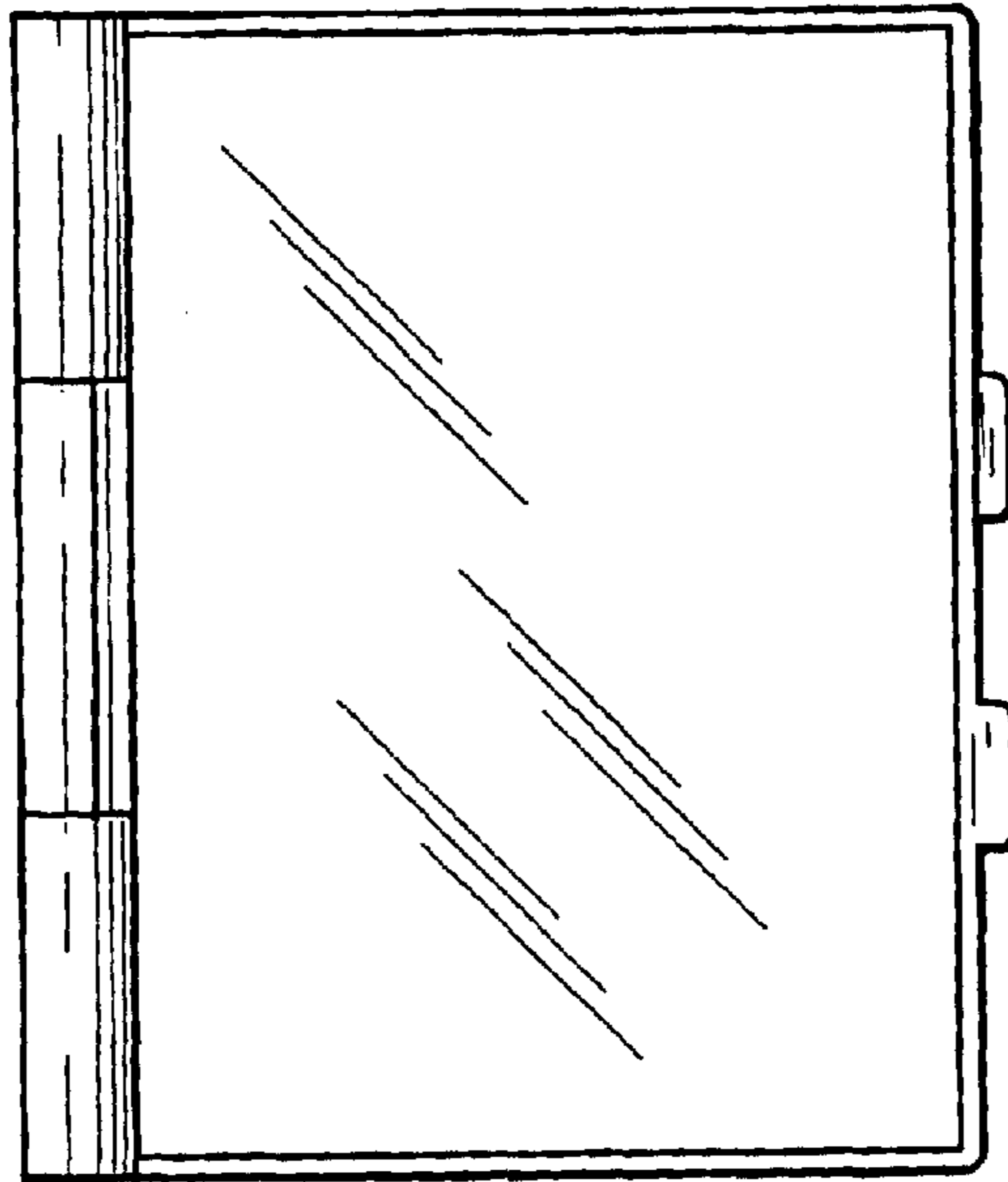


Fig. 11

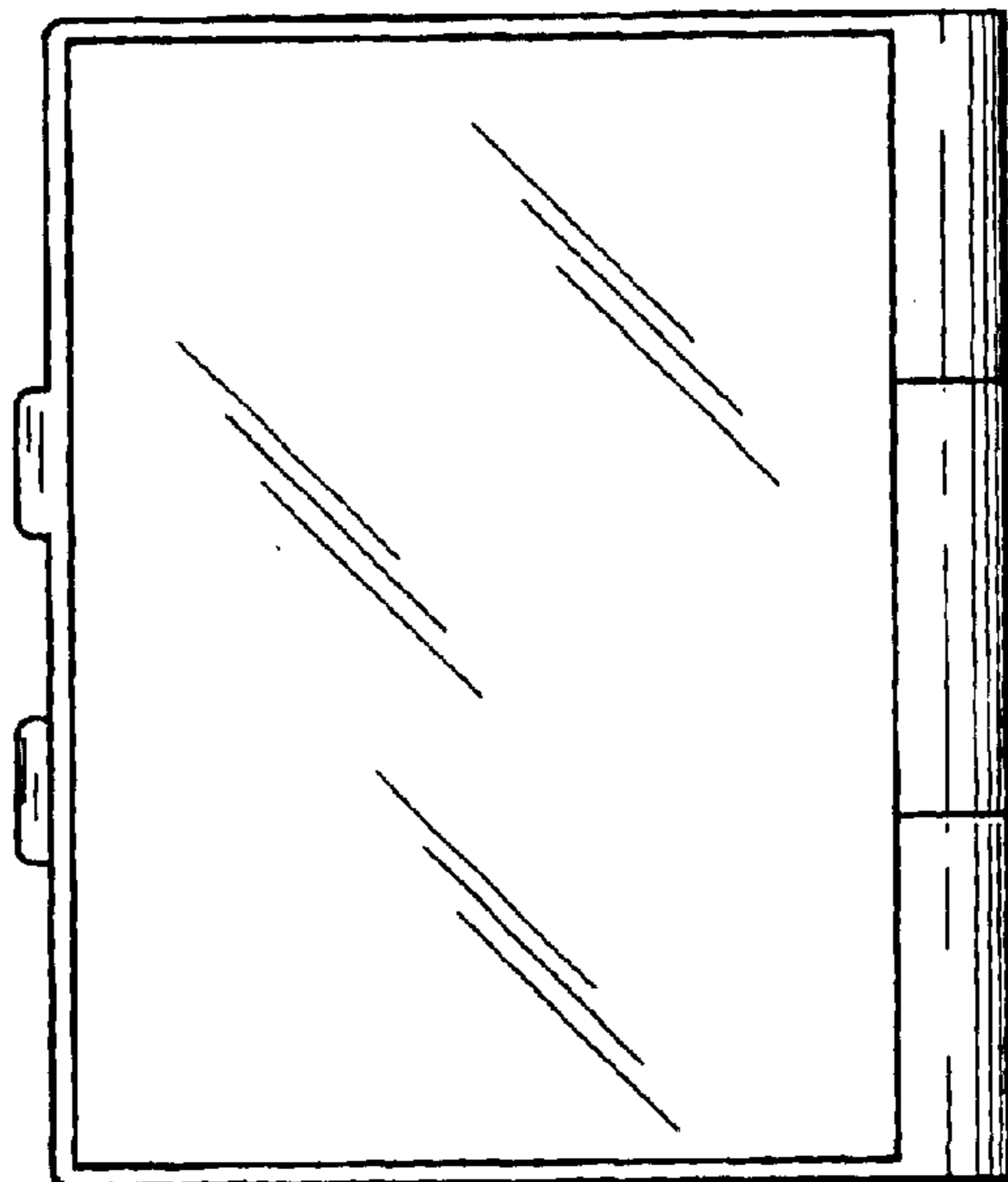


Fig. 12