

US00D499231S

(12) **United States Design Patent**  
**Toppel**

(10) **Patent No.:** **US D499,231 S**

(45) **Date of Patent:** **\*\* Dec. 7, 2004**

(54) **CAP WITH AN EXTENDABLE BILL**

(76) **Inventor:** **Andrew Toppel**, 61620 Greentree Dr.,  
South Bend, IN (US) 46614

(\*\*) **Term:** **14 Years**

(21) **Appl. No.:** **29/167,294**

(22) **Filed:** **Sep. 11, 2002**

(51) **LOC (7) Cl.** ..... **02-03**

(52) **U.S. Cl.** ..... **D2/882**

(58) **Field of Search** ..... D2/865, 866, 872,  
D2/876, 879, 882, 891, 893, 874, 976,  
881, 884; 2/10, 12, 171, 181, 171.1, 171.5,  
195.1, 195.2, 195.3-195.6, 175.1, 175.2,  
209.12, 209.13; D29/104-106

(56) **References Cited**

**U.S. PATENT DOCUMENTS**

1,807,180	A	*	5/1931	Solomon	.....	2/209.12
5,075,898	A	*	12/1991	Bedient	.....	2/10
5,197,150	A		3/1993	Bedient	.....	2/195
5,208,916	A		5/1993	Kelman	.....	2/10
5,412,812	A		5/1995	Gatchalian	.....	2/10
D360,972	S	*	8/1995	Bennett, Jr.	.....	D2/865
5,471,684	A		12/1995	Casale	.....	2/195.1
5,504,943	A	*	4/1996	Han	.....	2/209.13
5,621,915	A		4/1997	Schneider	.....	2/10
5,649,327	A		7/1997	Crewe	.....	2/172
5,689,830	A	*	11/1997	Pflum	.....	2/195.1

5,715,534	A		2/1998	Mobley	.....	2/10
5,898,935	A		5/1999	Davis	.....	2/10
5,930,834	A		8/1999	Toovey	.....	2/10
D419,281	S	*	1/2000	Croft	.....	D2/891
6,138,279	A		10/2000	Gore	.....	2/175.5
6,202,218	B1	*	3/2001	Chen	.....	2/195.1
D455,539	S	*	4/2002	Kates	.....	D2/882
6,385,776	B2		5/2002	Linday	.....	2/171.1
6,418,562	B1		7/2002	Shwartz et al.	.....	2/209.13
6,457,184	B1	*	10/2002	Adams	.....	2/209.13

\* cited by examiner

*Primary Examiner*—Mimosa De

(74) *Attorney, Agent, or Firm*—Leo H McCormick, Jr.

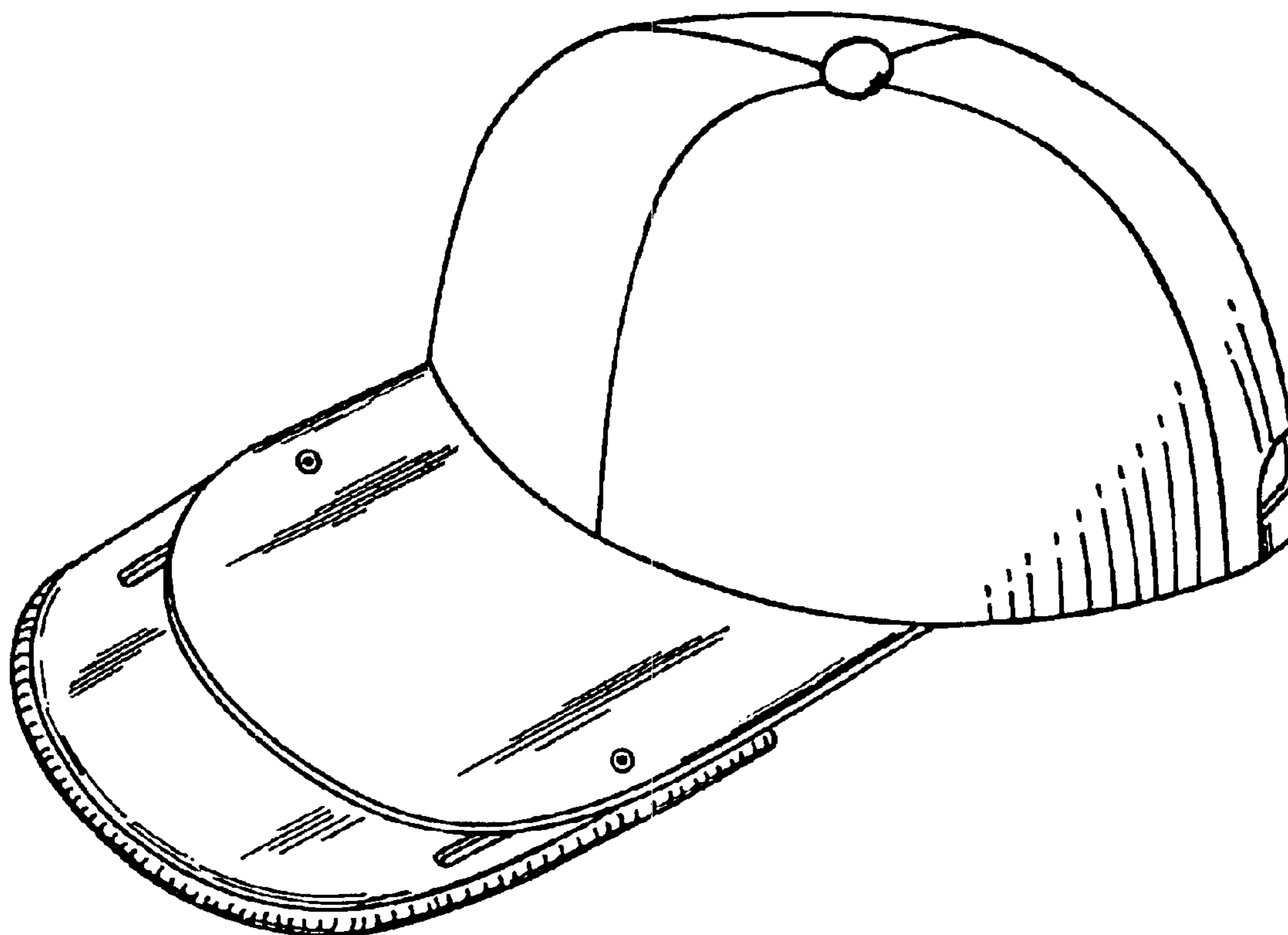
(57) **CLAIM**

The ornamental design for a cap with an extendable bill, as shown and described.

**DESCRIPTION**

FIG. 1 is a perspective view of a cap with an extendable bill showing my new design;  
FIG. 2 is a slightly reduced top view thereof;  
FIG. 3 is a slightly reduced front view thereof;  
FIG. 4 is a slightly reduced side view thereof;  
FIG. 5 is a slightly reduced rear view thereof;  
FIG. 6 is a slightly reduced bottom view thereof;  
FIG. 7 is a perspective view thereof with the bill extended;  
FIG. 8 is a slightly reduced bottom view of FIG. 7; and,  
FIG. 9 is a magnified portion of FIG. 1.

**1 Claim, 3 Drawing Sheets**



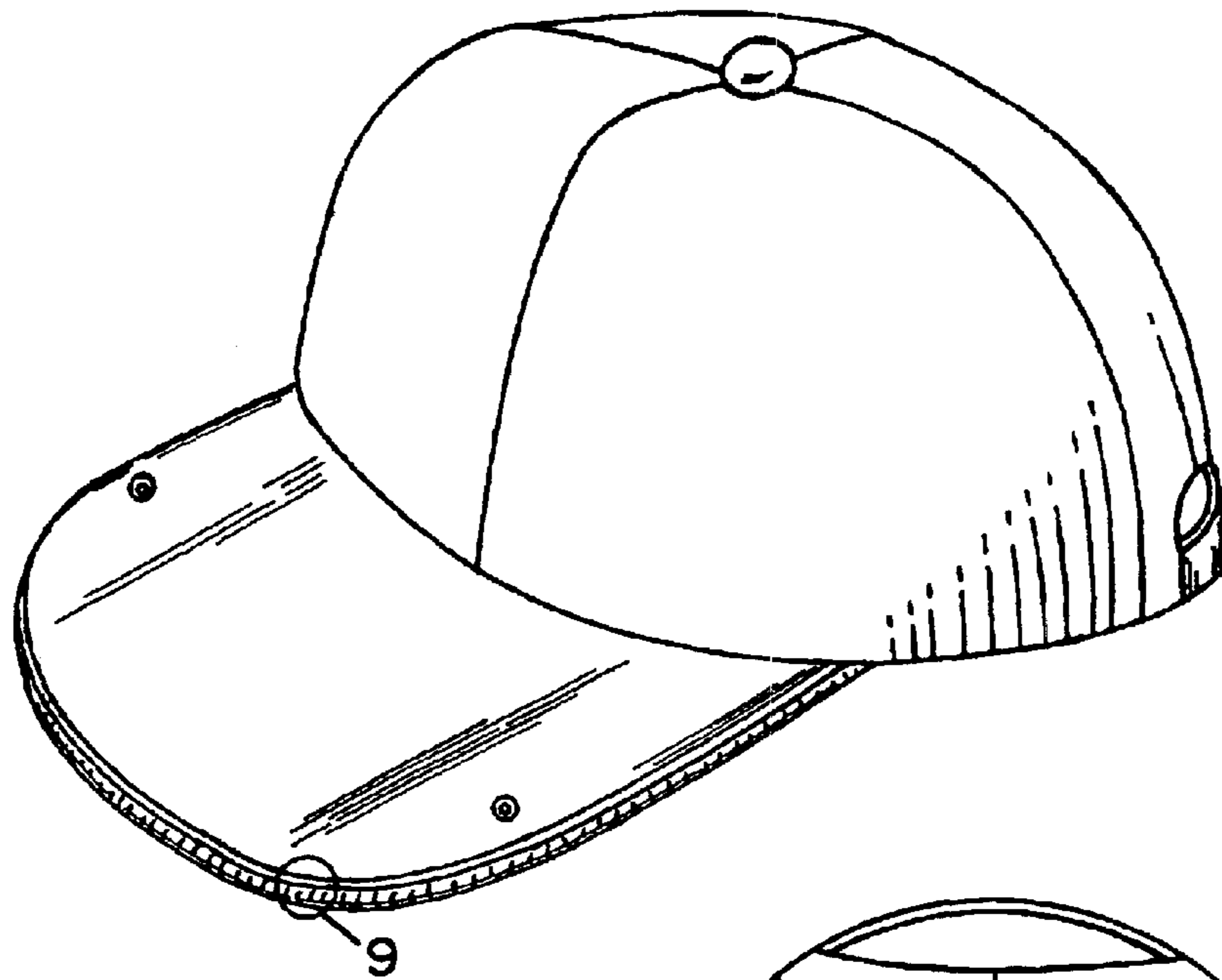


FIG. 1

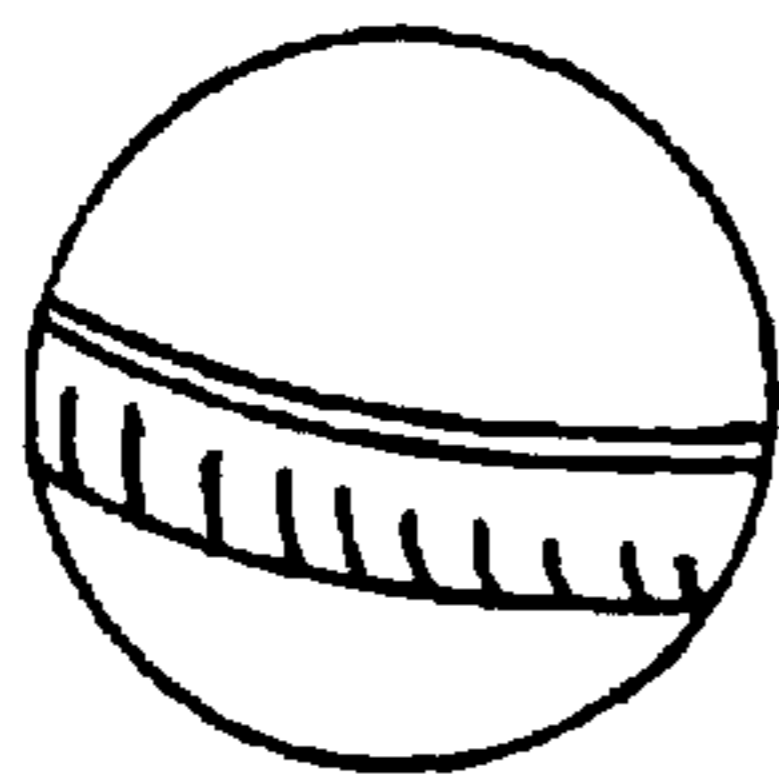


FIG. 9

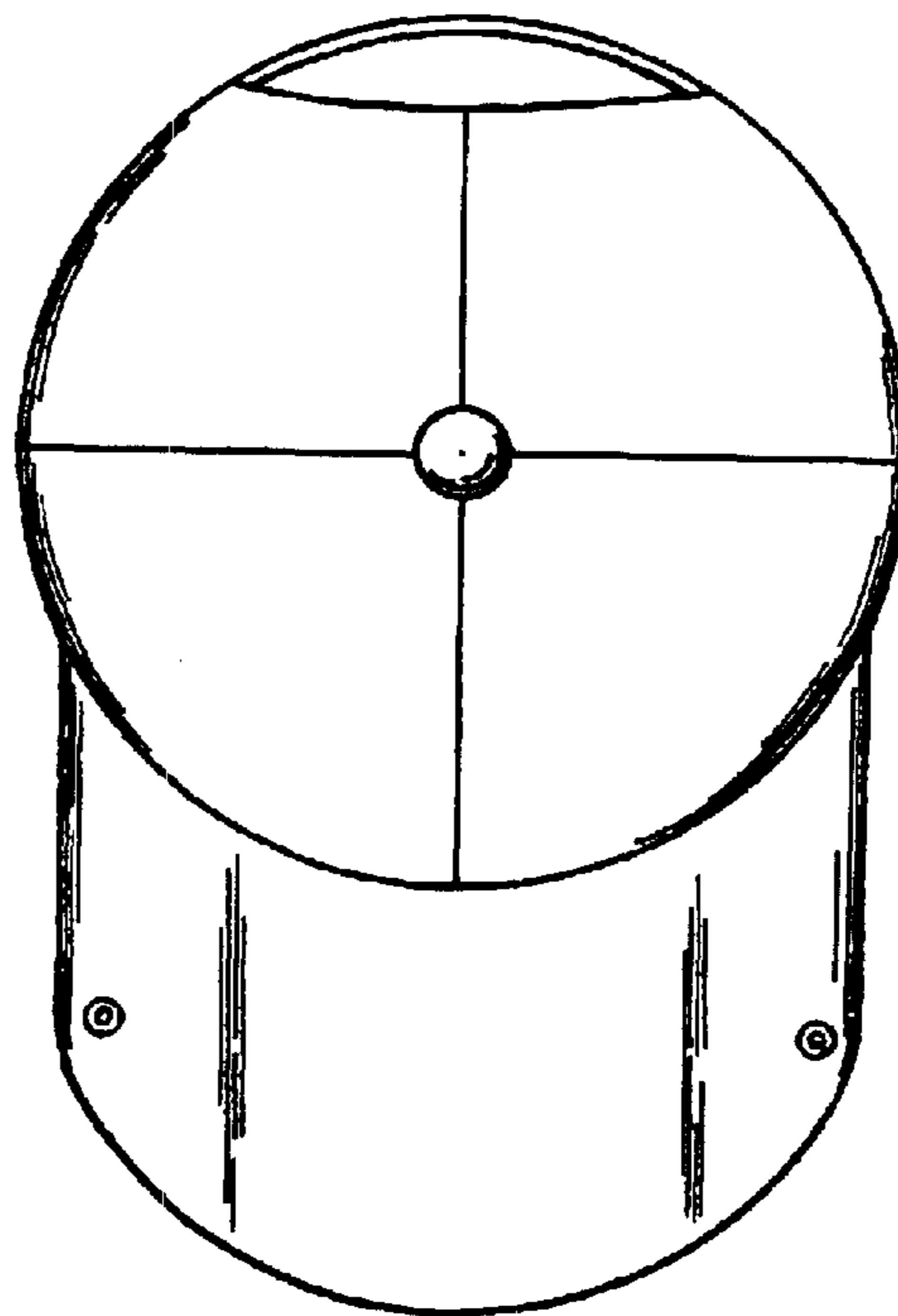


FIG. 2

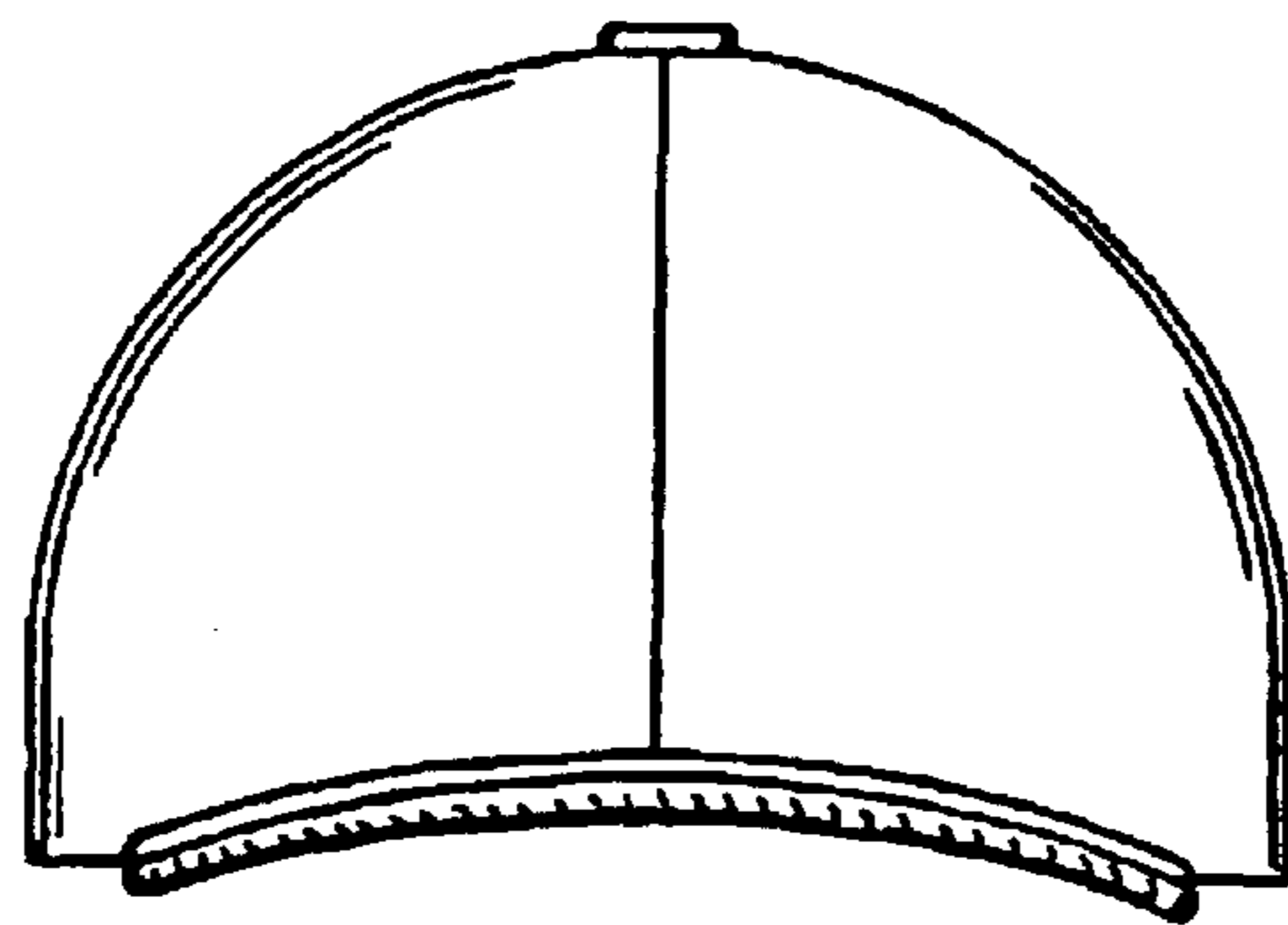
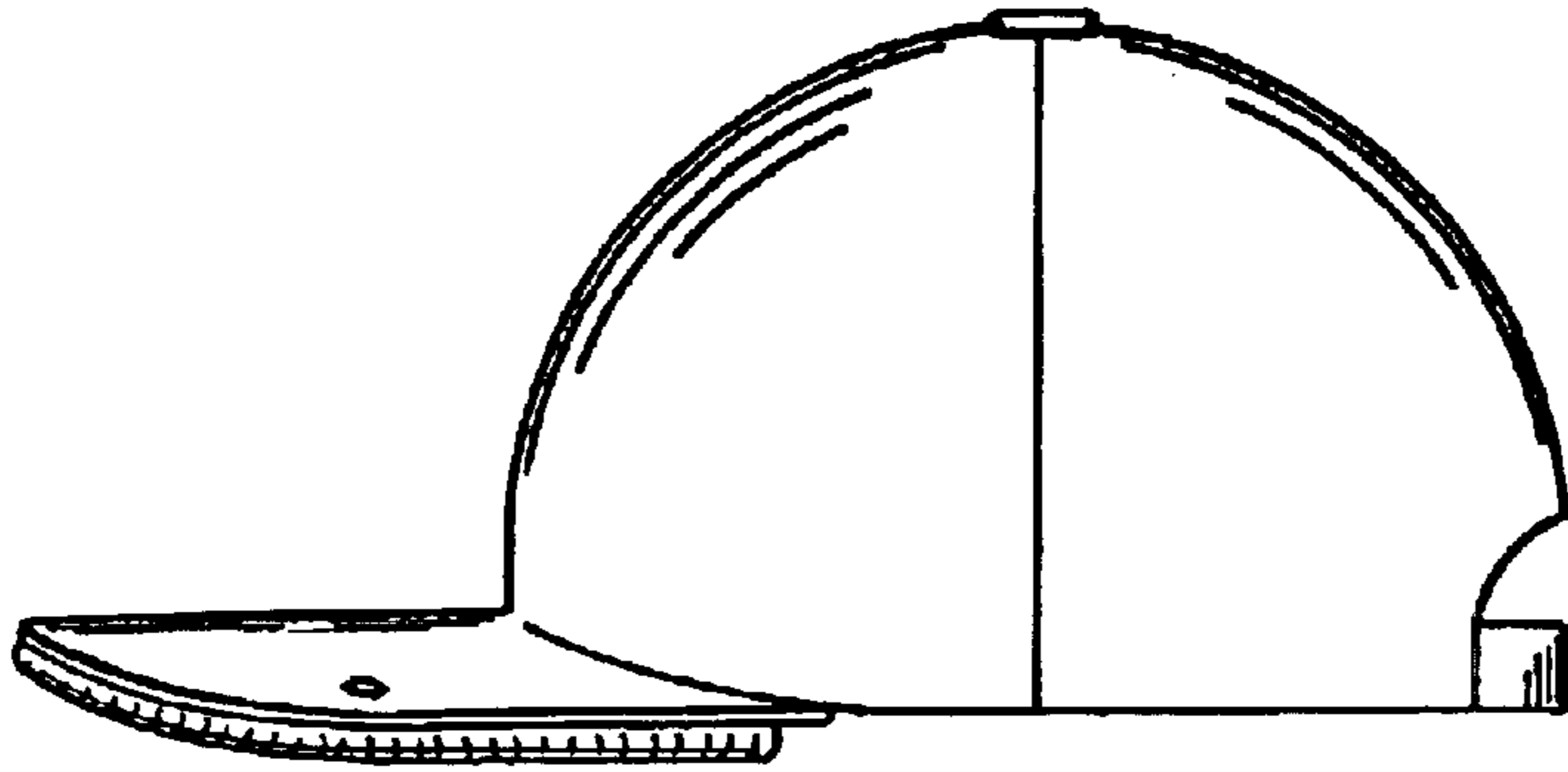
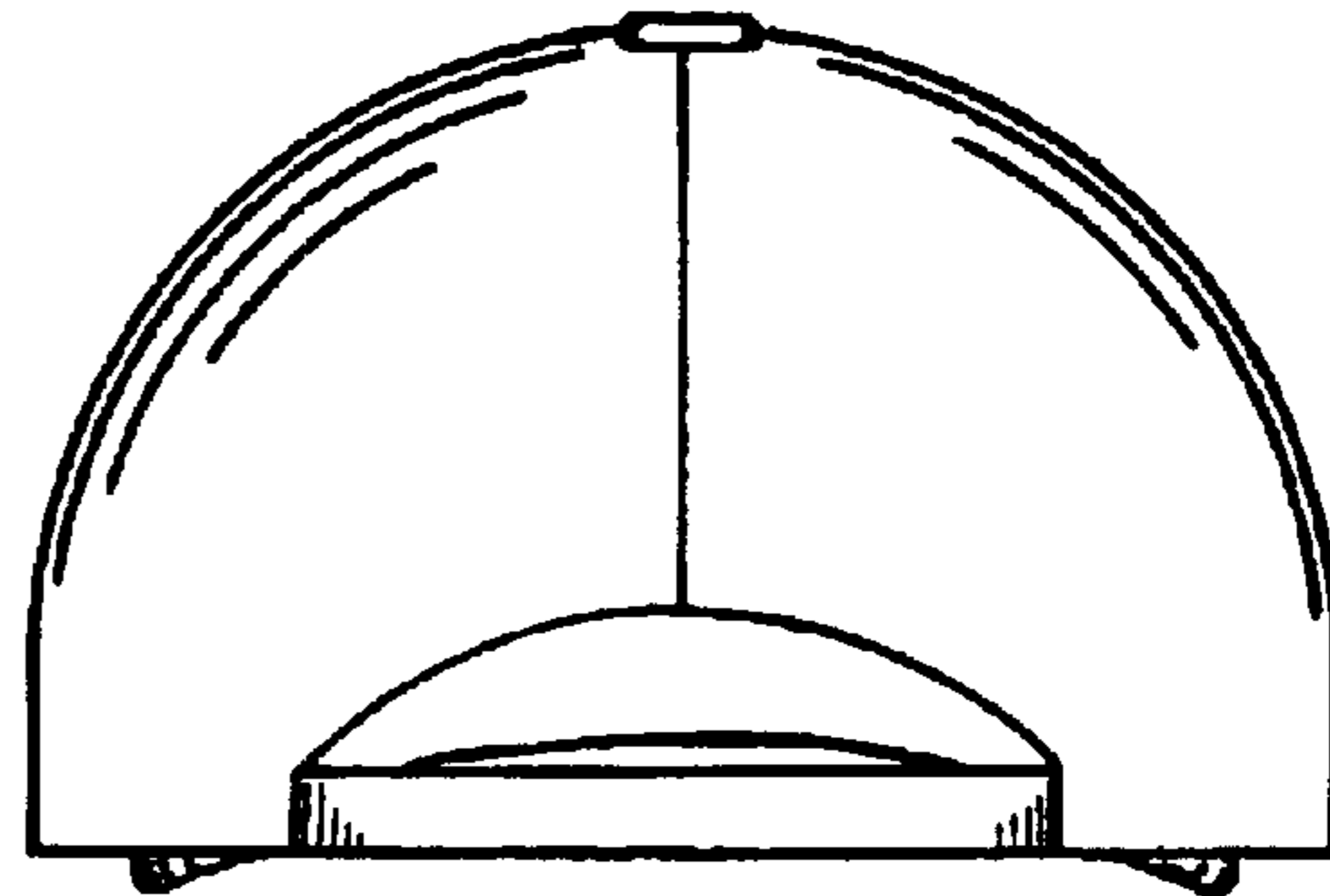


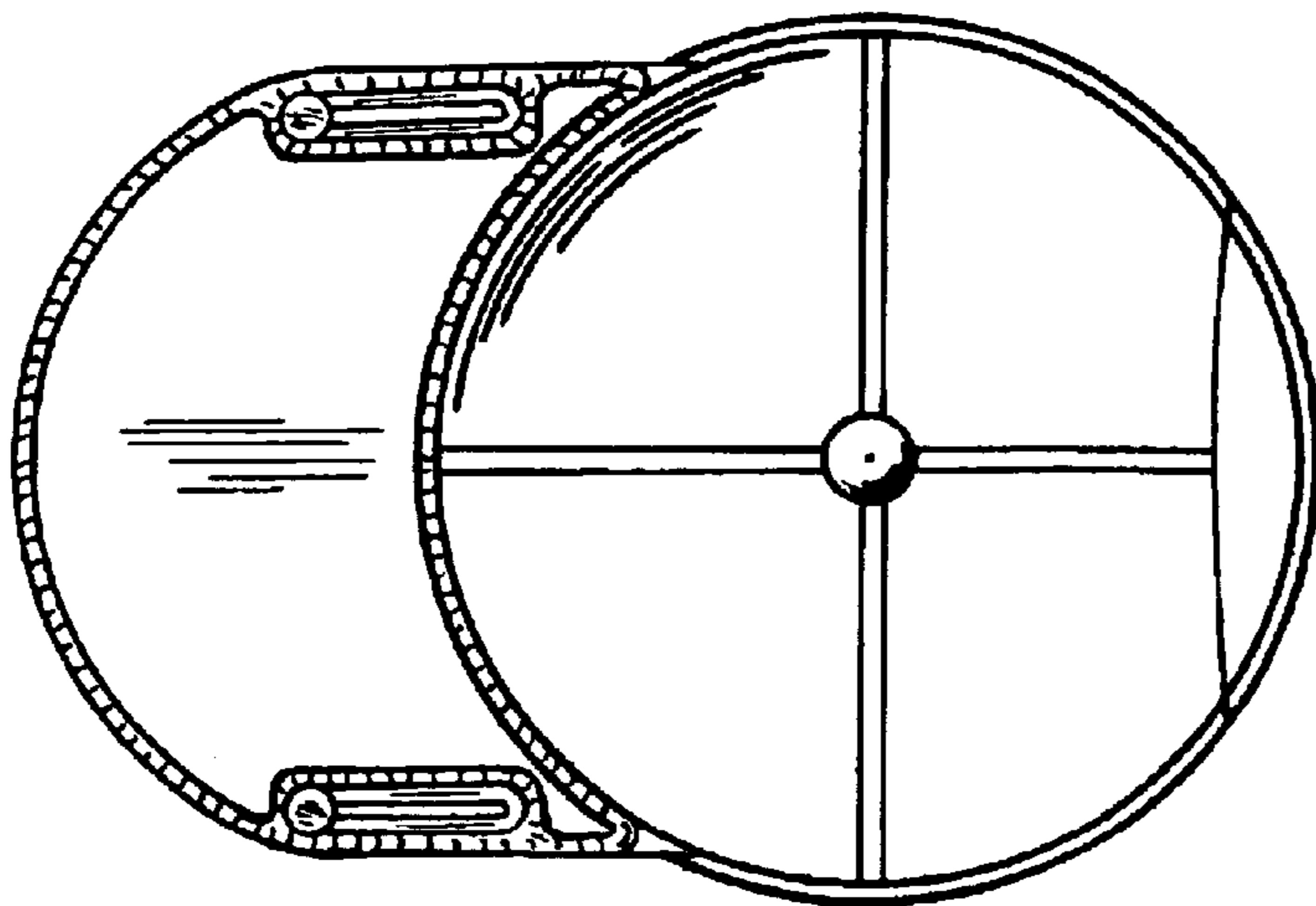
FIG. 3



**FIG. 4**



**FIG. 5**



**FIG. 6**

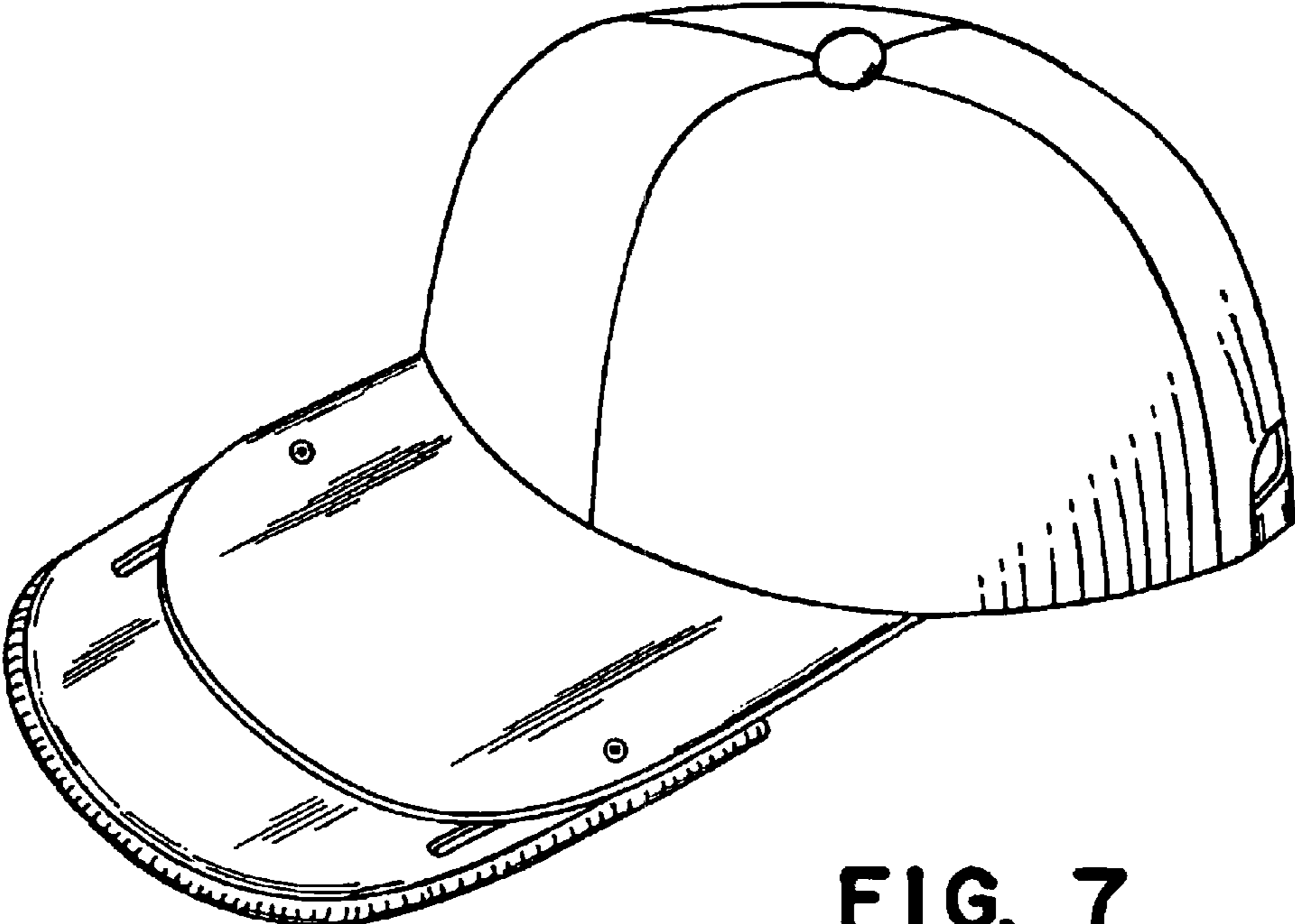


FIG. 7

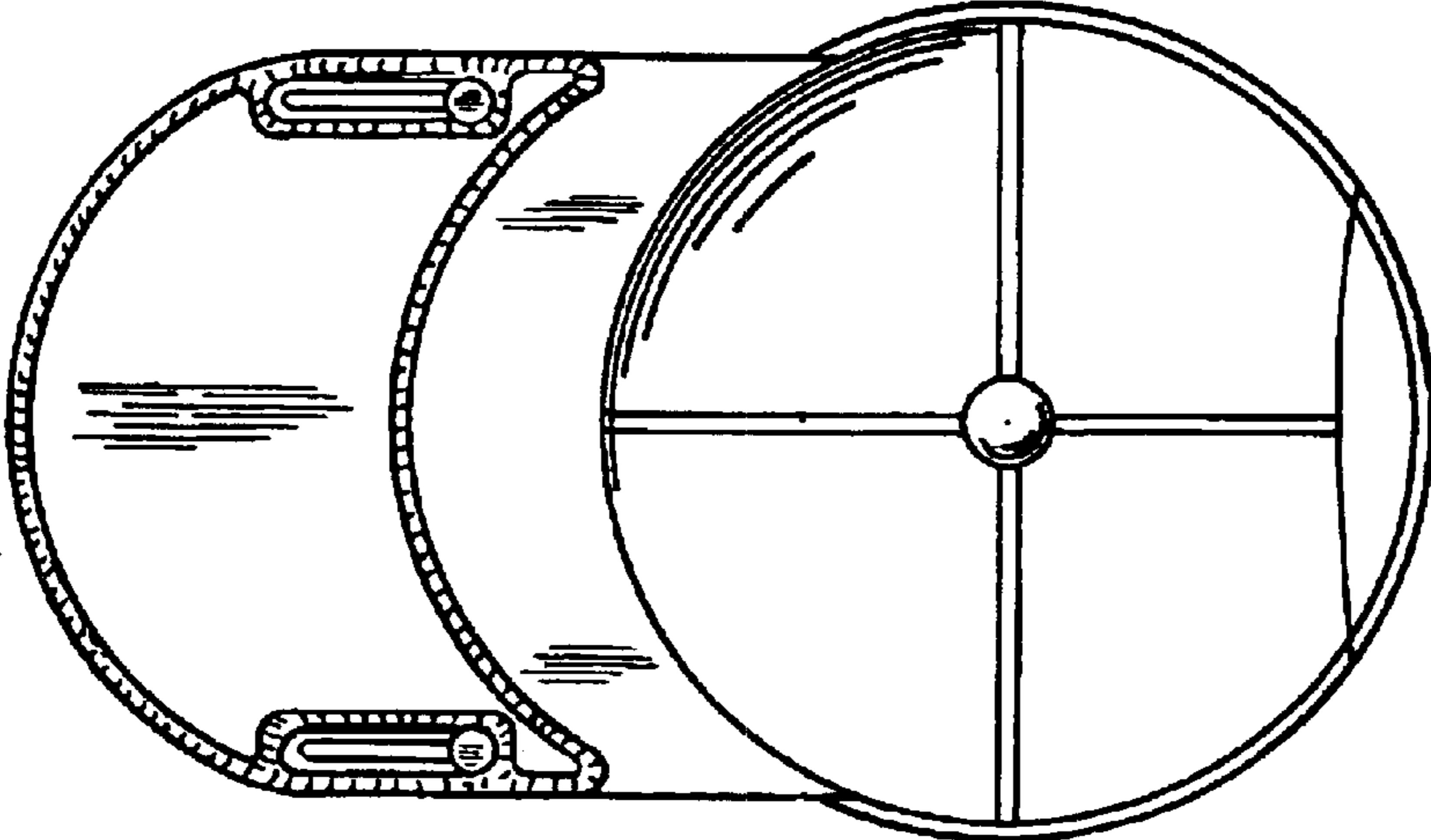


FIG. 8