

US00D499227S

(12) **United States Design Patent**  
**Chilles**

(10) **Patent No.: US D499,227 S**

(45) **Date of Patent: \*\* Dec. 7, 2004**

(54) **CAKE CONE**

*Primary Examiner—Pamela Burgess*

(76) **Inventor: Tone Chilles, 723 Humboldt Pky,  
Buffalo, NY (US) 14208**

(57) **CLAIM**

The ornamental design for a cake cone, as shown.

(\*\*) **Term: 14 Years**

**DESCRIPTION**

(21) **Appl. No.: 29/190,720**

FIG. 1, is a top perspective view of a cake cone, showing my new design.

(22) **Filed: Sep. 26, 2003**

FIG. 2, is a top plan view of the cake cone of FIG. 1.

(51) **LOC (7) Cl. .... 01-01**

(52) **U.S. Cl. .... D1/118**

FIG. 3, is a side elevational view of the cake cone of FIG. 1.

(58) **Field of Search ..... D1/118, 101, 116,  
D1/122; 426/139, 135, 101, 143, 132, 95,  
514**

FIG. 4, is a bottom plan view of the cake cone of FIG. 1.

FIG. 5, is a top perspective view of another embodiment of a cake cone, showing my new design.

(56) **References Cited**

**U.S. PATENT DOCUMENTS**

D153,354 S	*	4/1949	Heyman	.....	D1/118
D307,660 S	*	5/1990	Kim	.....	D1/118
D370,331 S	*	6/1996	Haas	.....	D1/118
D414,590 S	*	10/1999	Cole	.....	D1/118

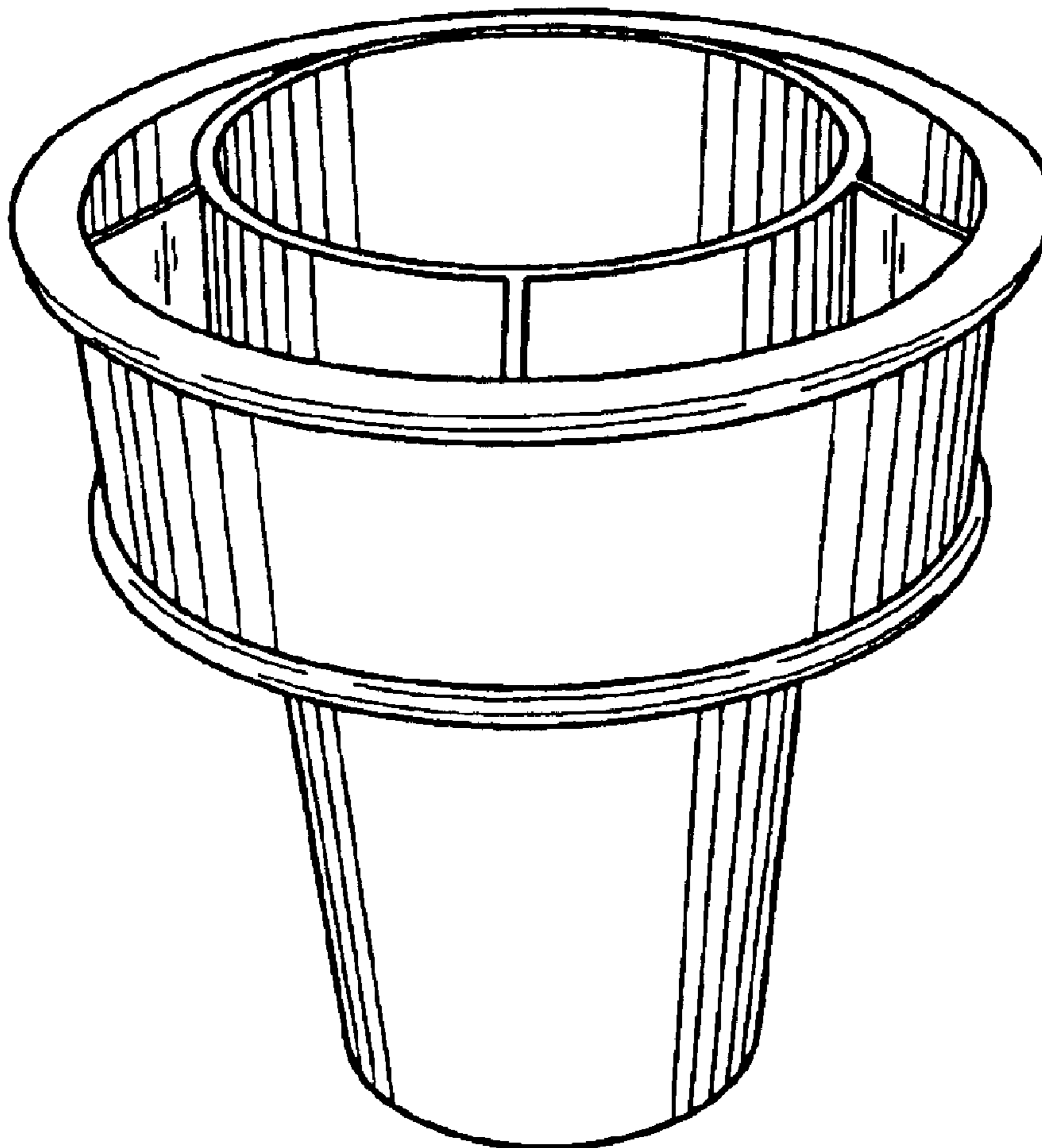
FIG. 6, is a top plan view of the cake cone of FIG. 5.

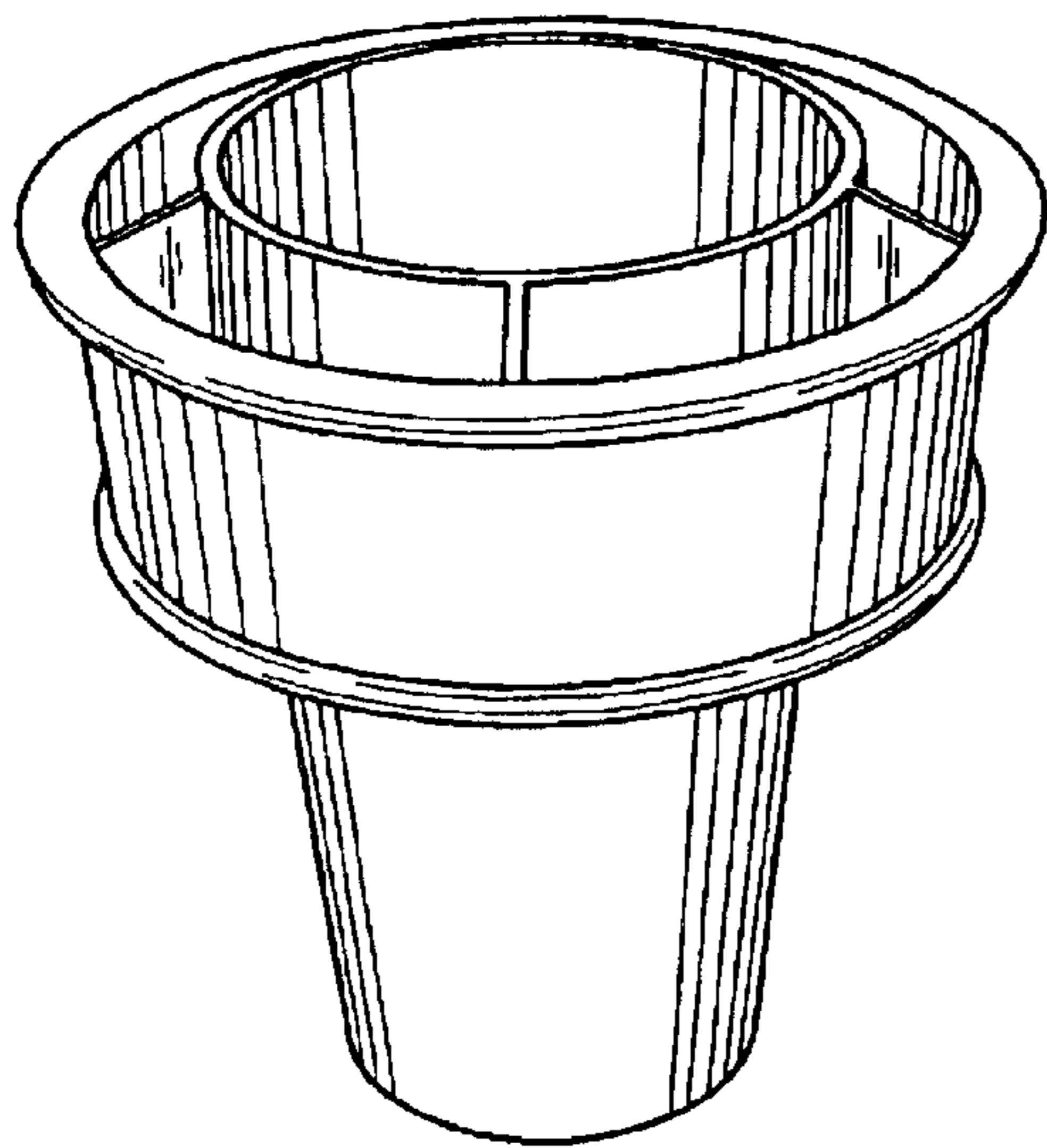
FIG. 7, is a side elevational view of the cake cone of FIG. 5; and,

FIG. 8, is a bottom plan view of the cake cone of FIG. 5.

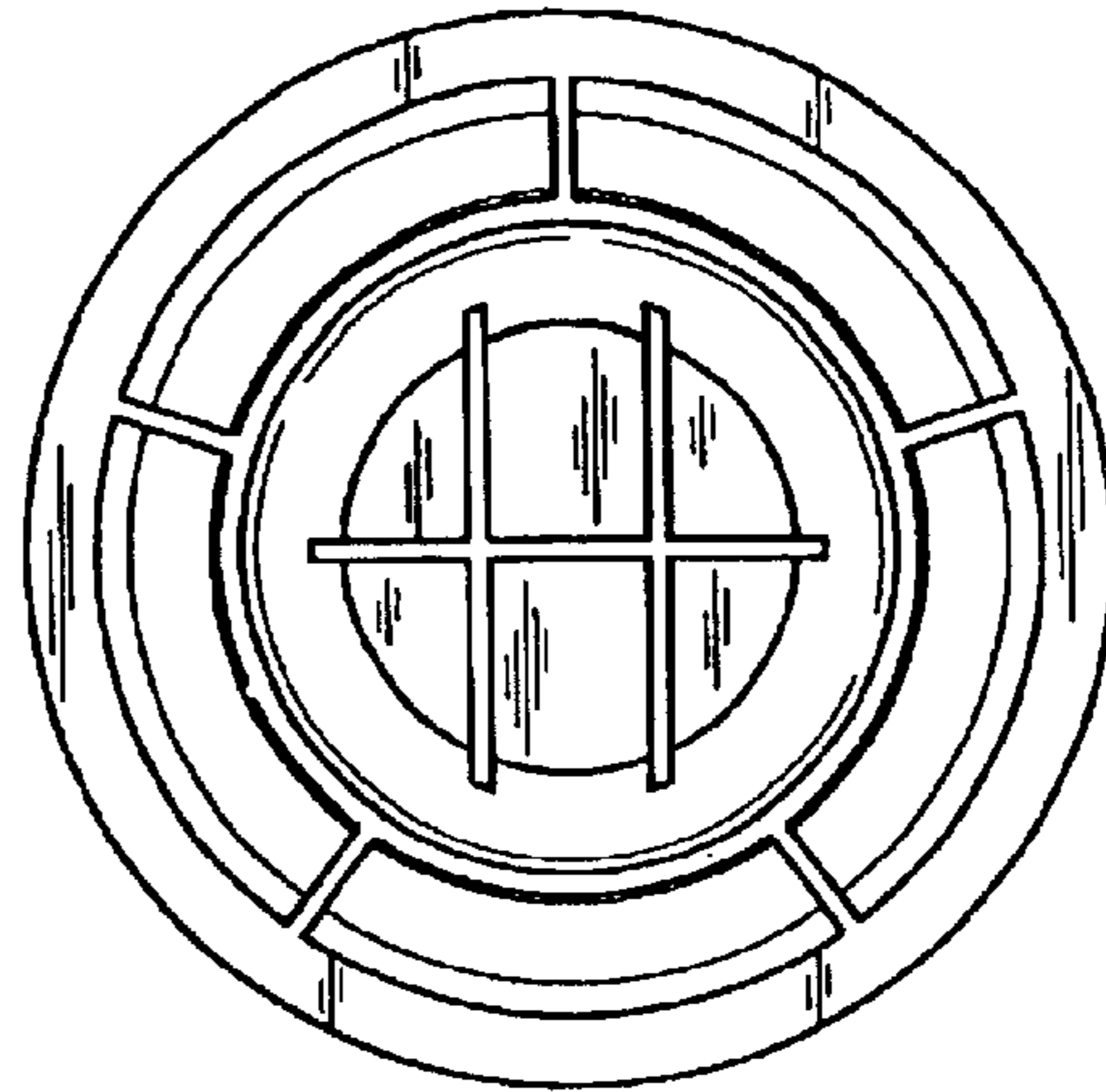
\* cited by examiner

**1 Claim, 2 Drawing Sheets**

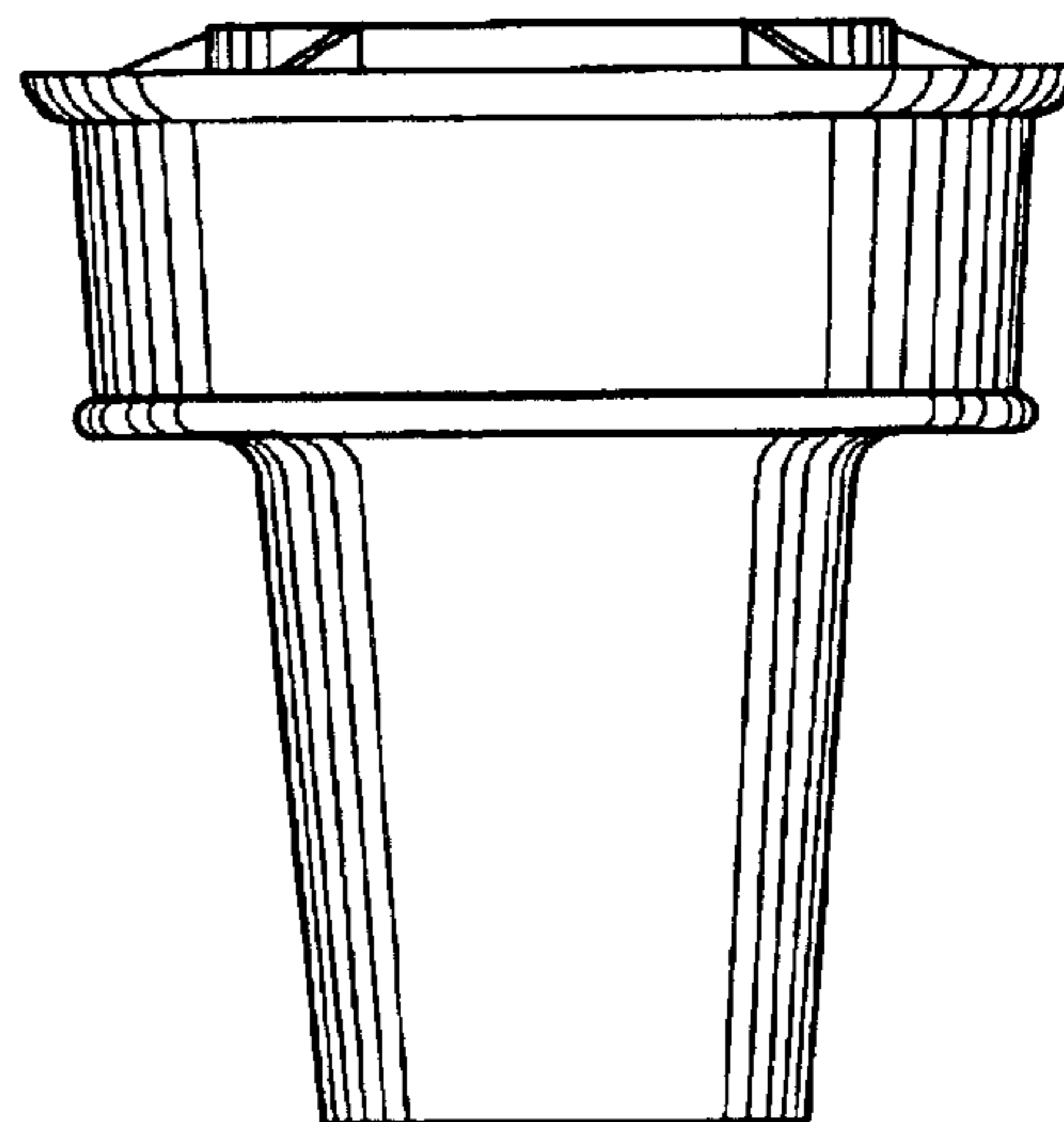




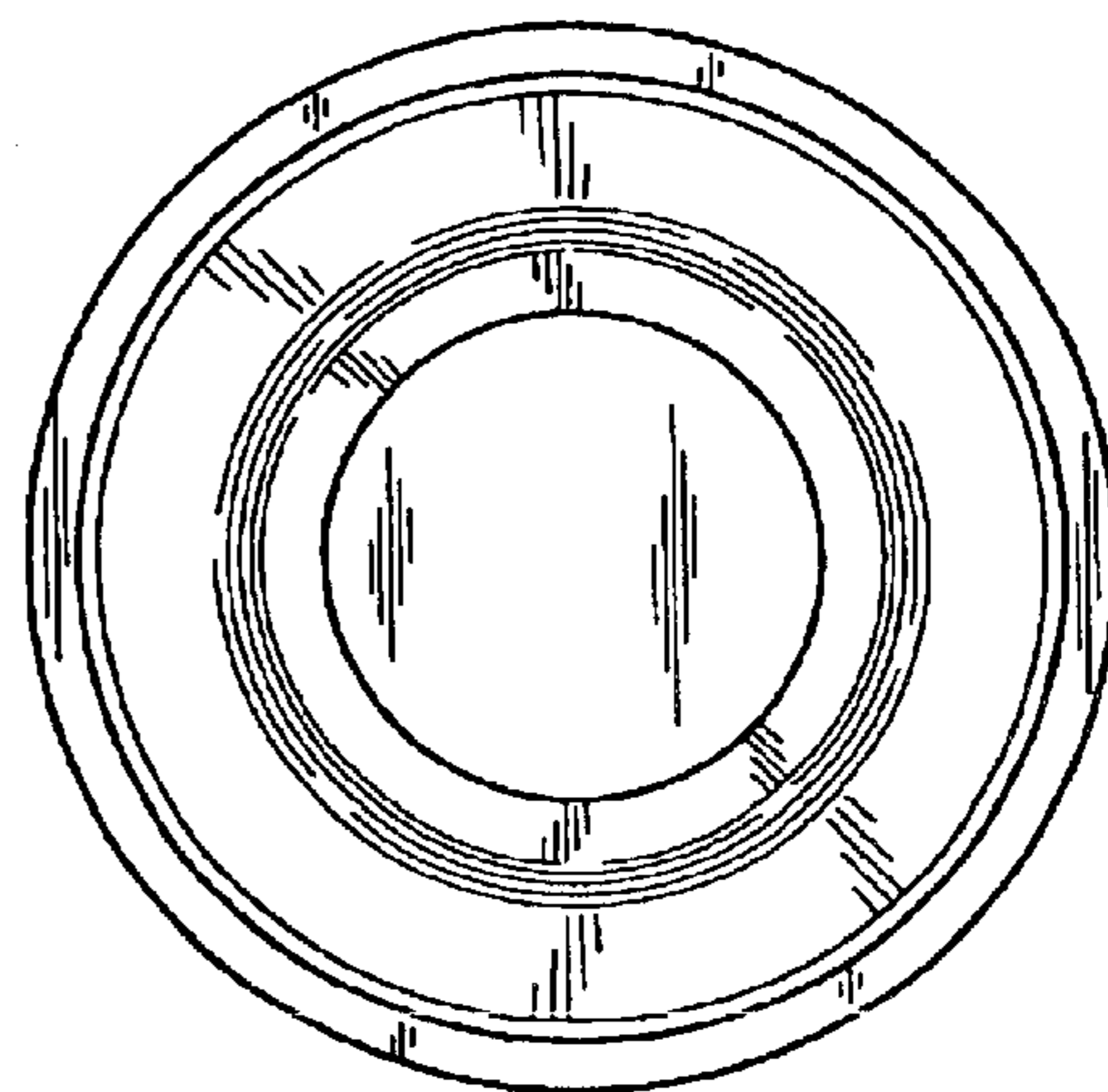
*Fig. 1*



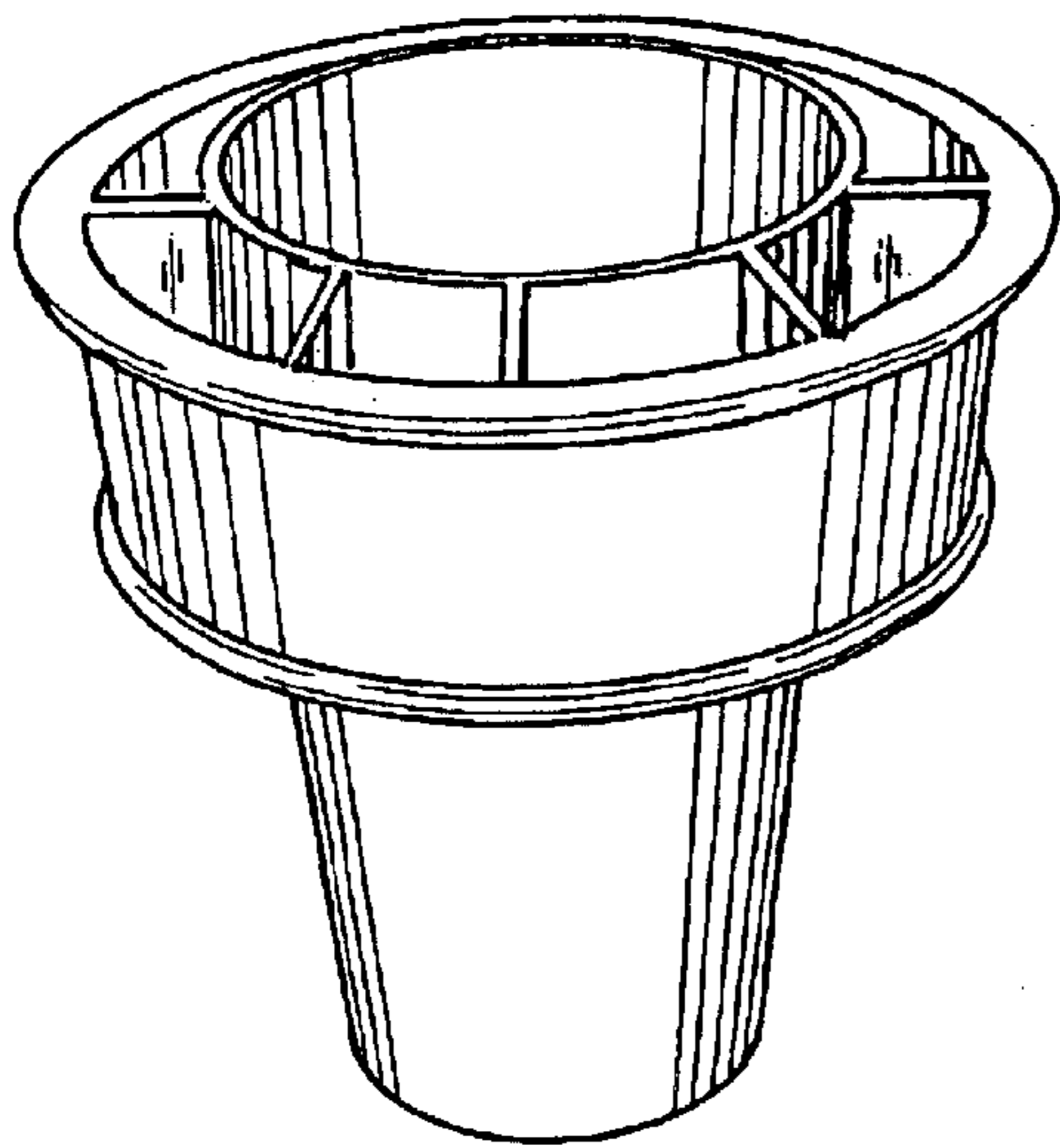
*Fig. 2*



*Fig. 3*

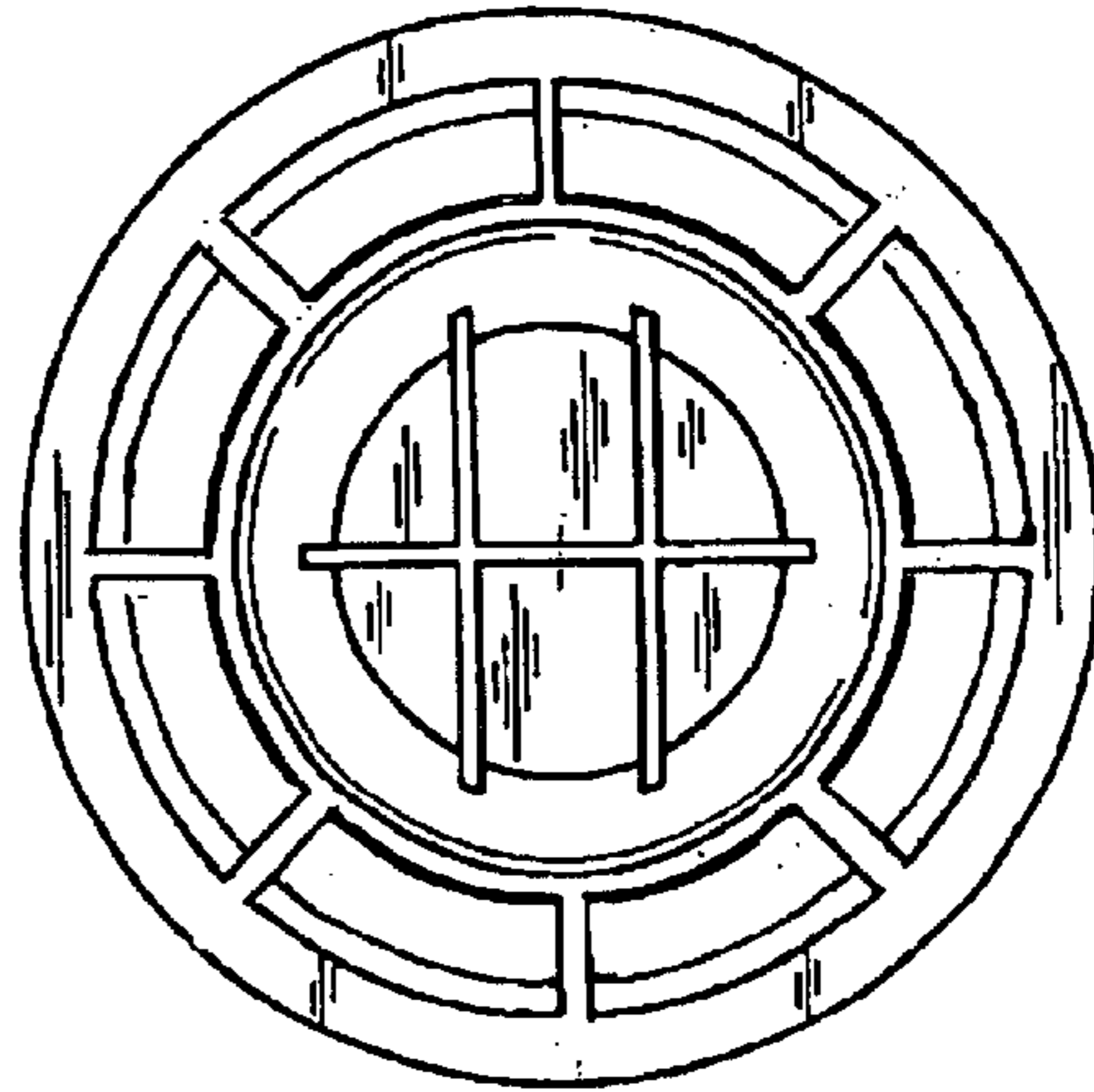


*Fig. 4*

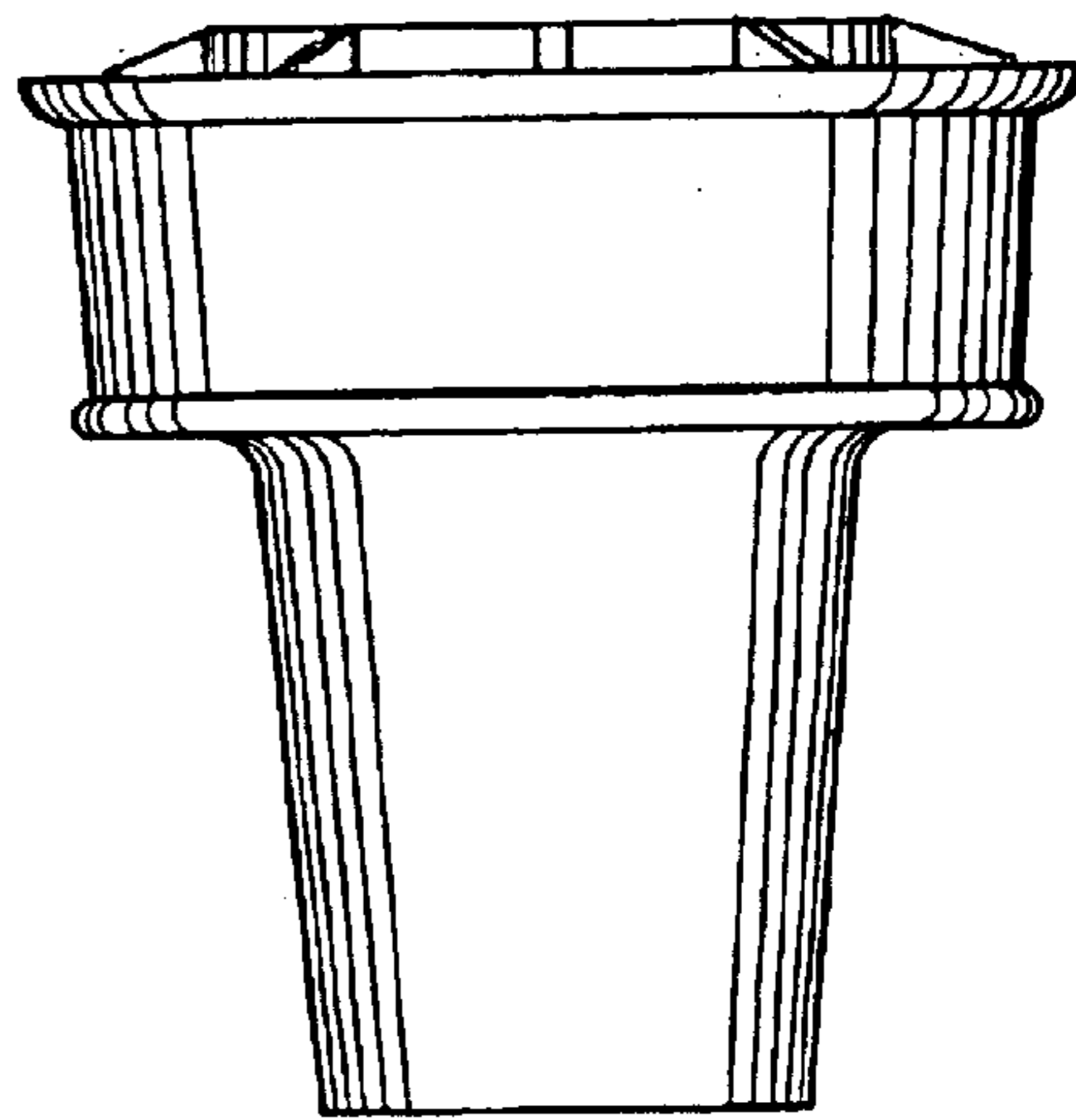


*Fig. 5*

*Fig. 6*



*Fig. 7*



*Fig. 8*

