

US00D499223S

(12) **United States Design Patent**
Libman et al.

(10) **Patent No.:** **US D499,223 S**
(45) **Date of Patent:** **** Nov. 30, 2004**

(54) **MULTIPURPOSE BUCKET**

6,065,175 A * 5/2000 Tejerina 15/260 X
D462,491 S * 9/2002 Hauenstein D32/53

(75) Inventors: **Robert J. Libman**, Champaign, IL
(US); **Enzo Berti**, Dolo/Venice (IT)

* cited by examiner

(73) Assignee: **The Libman Company**, Arcola, IL
(US)

Primary Examiner—Alan P. Douglas
Assistant Examiner—Lavone D. Tabor
(74) *Attorney, Agent, or Firm*—Banner & Witcoff, Ltd.

(**) Term: **14 Years**

(57) **CLAIM**

(21) Appl. No.: **29/174,057**

The ornamental design for a multipurpose bucket, as shown.

(22) Filed: **Jan. 10, 2003**

DESCRIPTION

(51) **LOC (7) Cl.** **07-07**

(52) **U.S. Cl.** **D32/53**

(58) **Field of Search** D32/53, 53.1,
D32/54; 15/260, 263, 264; 220/23.83, 23.86,
23.87, 23.89, 656, 657, 659, 735, 755,
760, 769, 770, 904, DIG. 12, DIG. 14

FIG. 1 is a perspective view of a multipurpose bucket in accordance with the present invention;
FIG. 2 is a reduced side elevational view, the opposite side view being a mirror image thereof;
FIG. 3 is a reduced top plan view thereof;
FIGS. 4–7 are perspective, reduced side elevational, reduced top plan, and reduced end elevational views, respectively, of the interior bucket shown in FIG. 1;
FIGS. 8–11 are perspective, reduced side elevational, reduced top plan, and reduced end elevational views, respectively, of the main bucket shown in FIG. 1; and,
FIGS. 12–15 are perspective, side elevational, reduced top plan, and reduced end elevational views, respectively, of the wringer shown in FIG. 1.

(56) **References Cited**

U.S. PATENT DOCUMENTS

- D216,277 S * 12/1969 James D32/53
- D218,778 S * 9/1970 Gunfaus D32/54
- D222,892 S * 1/1972 Gunfaus D32/53
- D227,148 S * 6/1973 Oas D32/53
- 4,161,799 A * 7/1979 Sorrells 15/260
- 4,735,332 A * 4/1988 Thumser 220/735
- 5,063,631 A * 11/1991 Parker 15/263
- D417,935 S * 12/1999 Primeau D32/53

The main and interior buckets and the wringer are shown separately for clarity of illustration only.

1 Claim, 10 Drawing Sheets

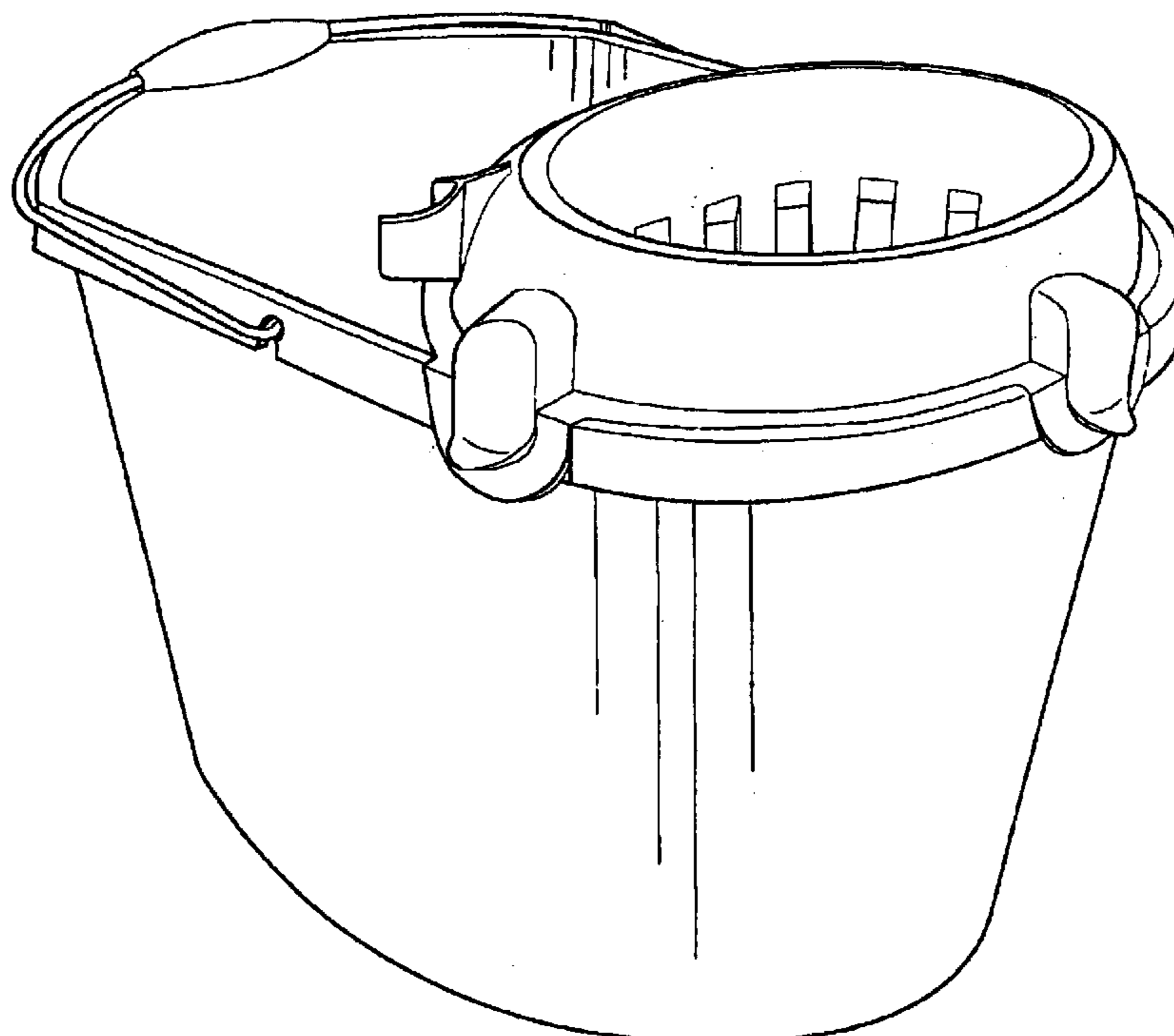


FIG. 1

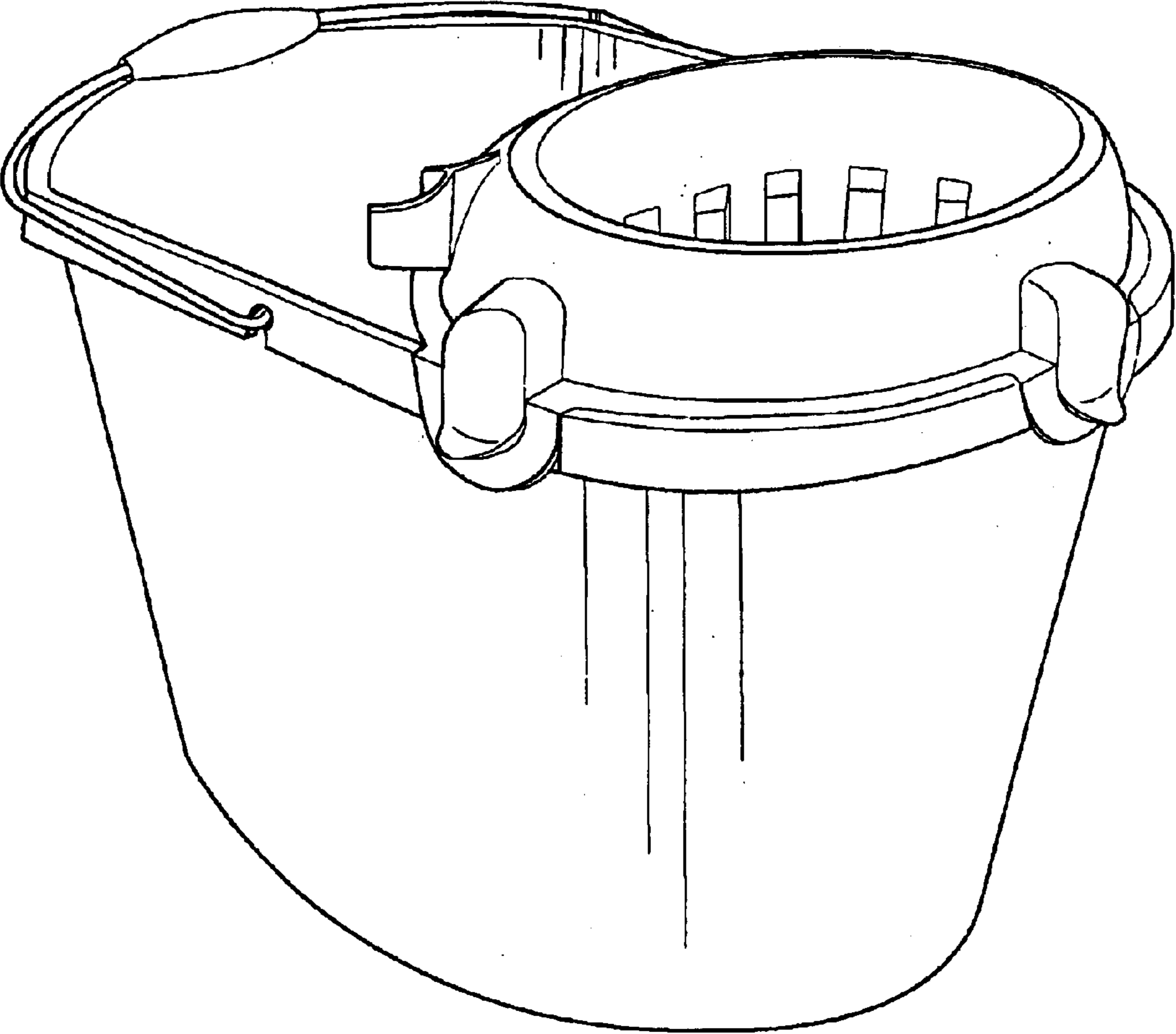


FIG. 2

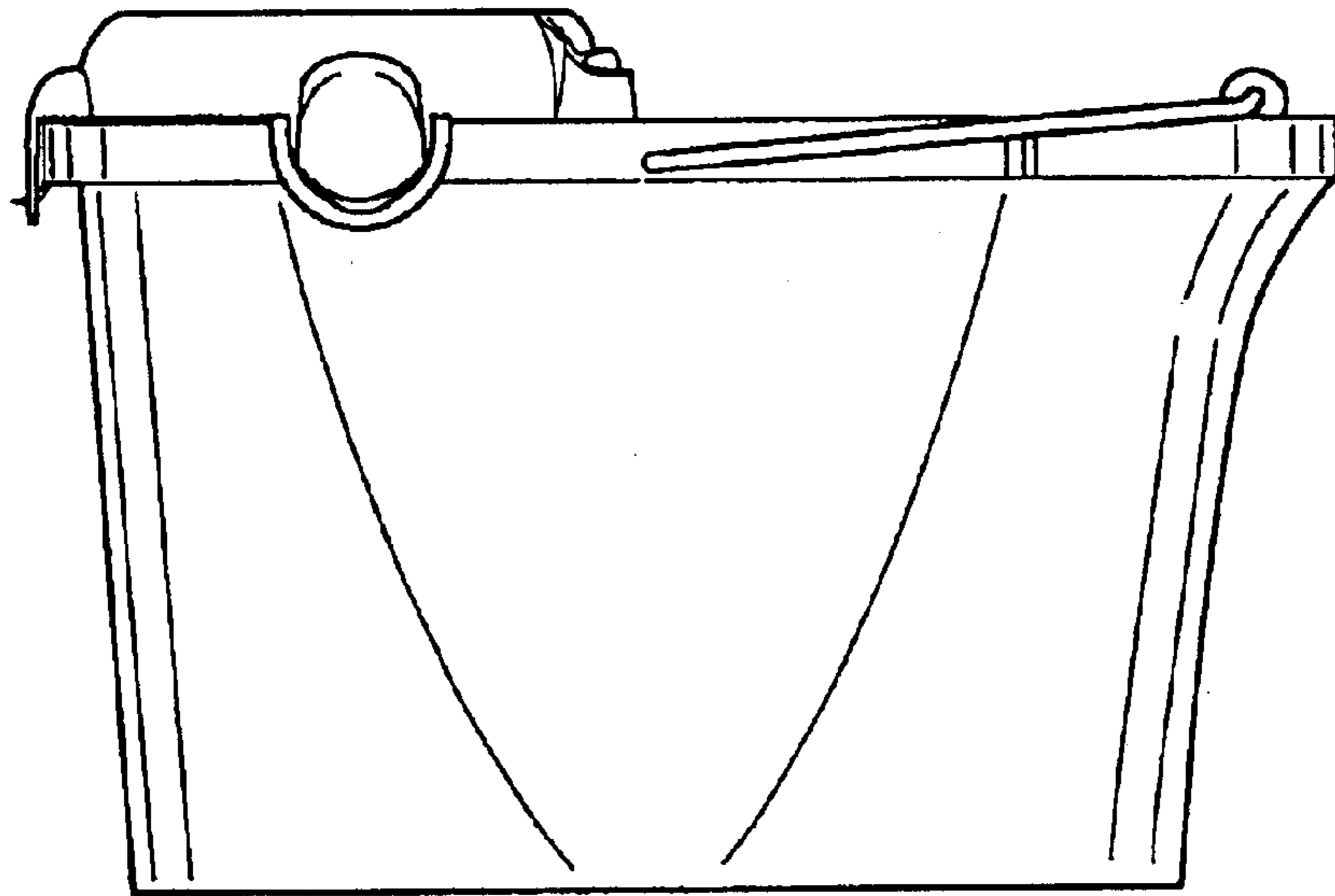


FIG. 3

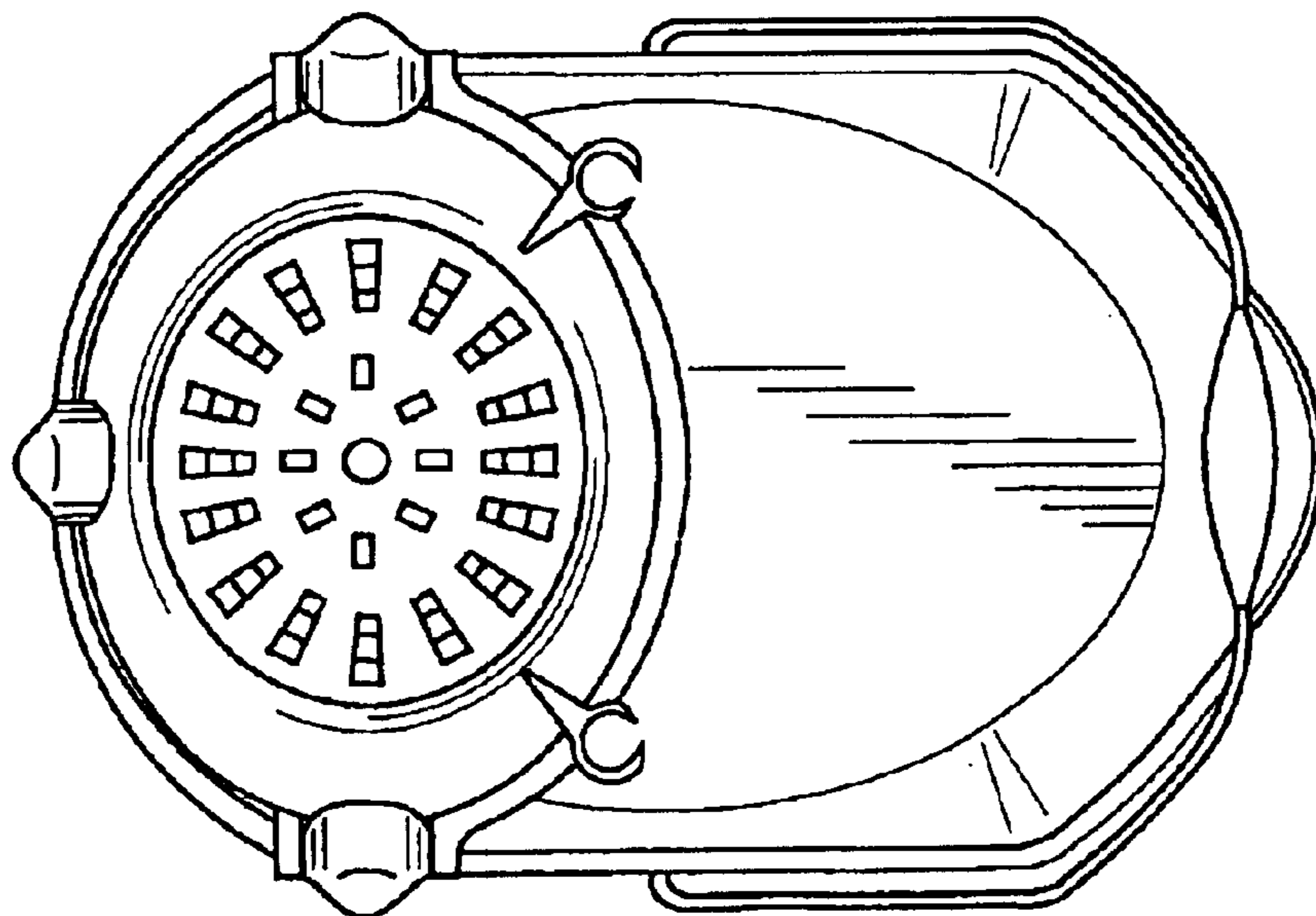


FIG. 4

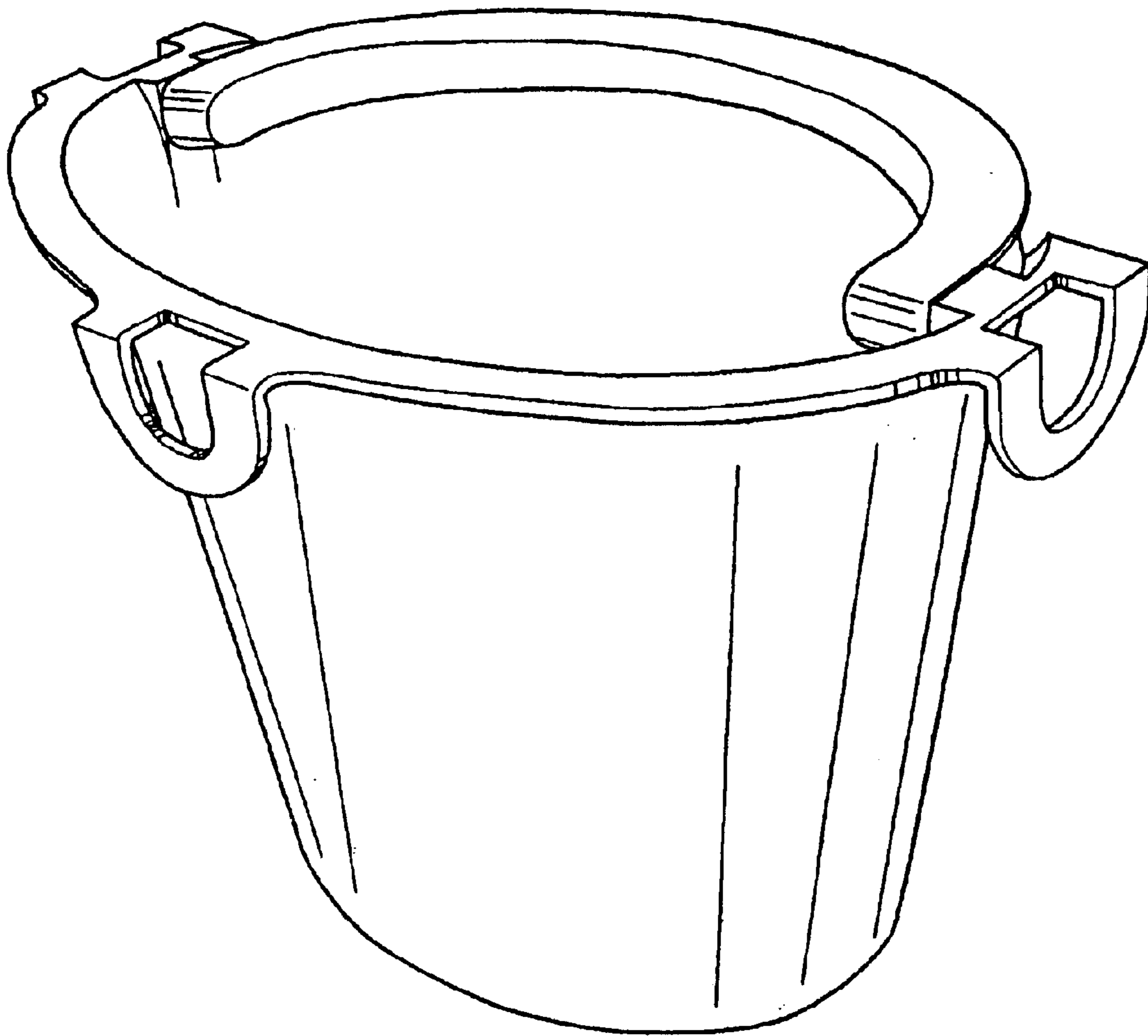


FIG. 5

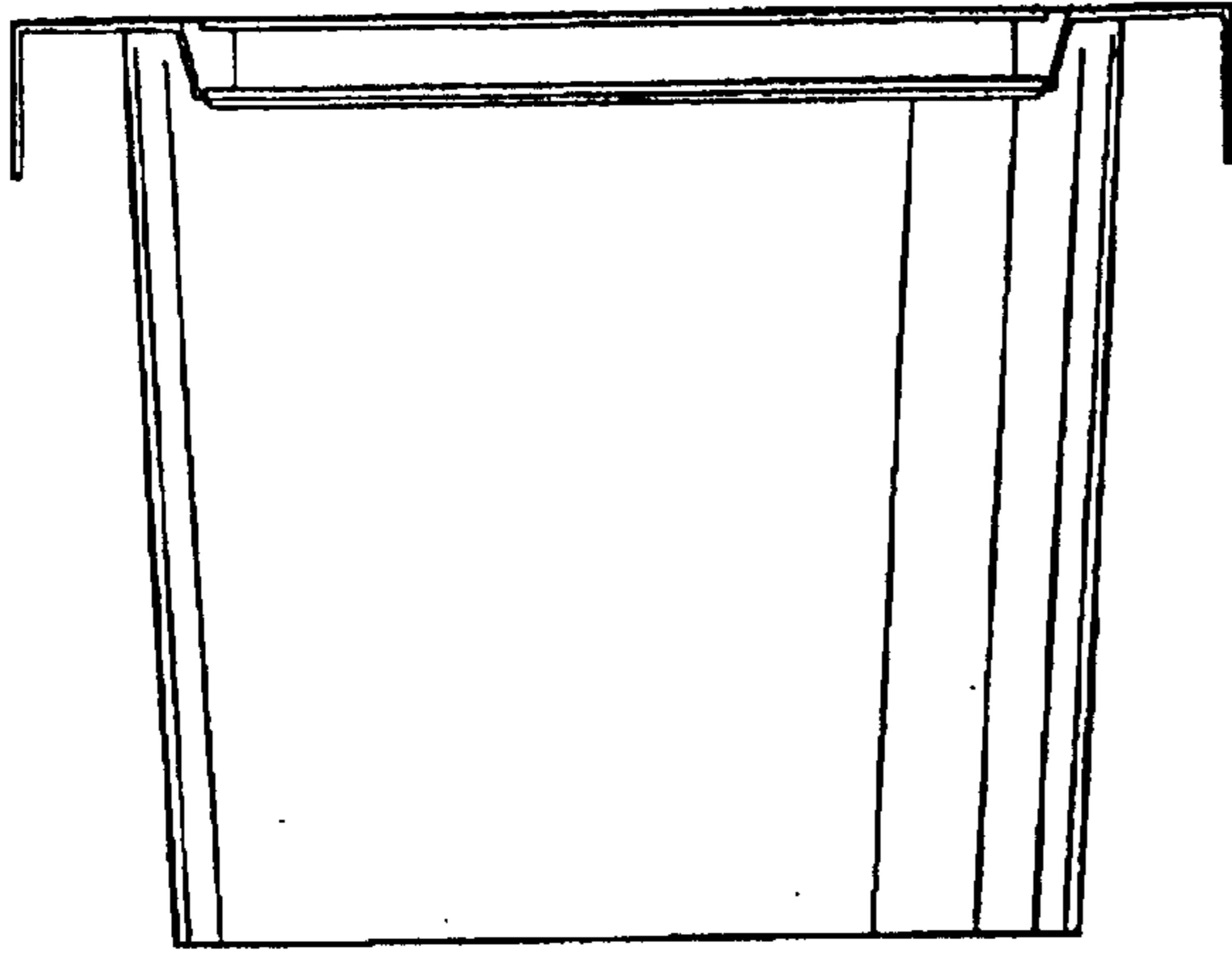


FIG. 6

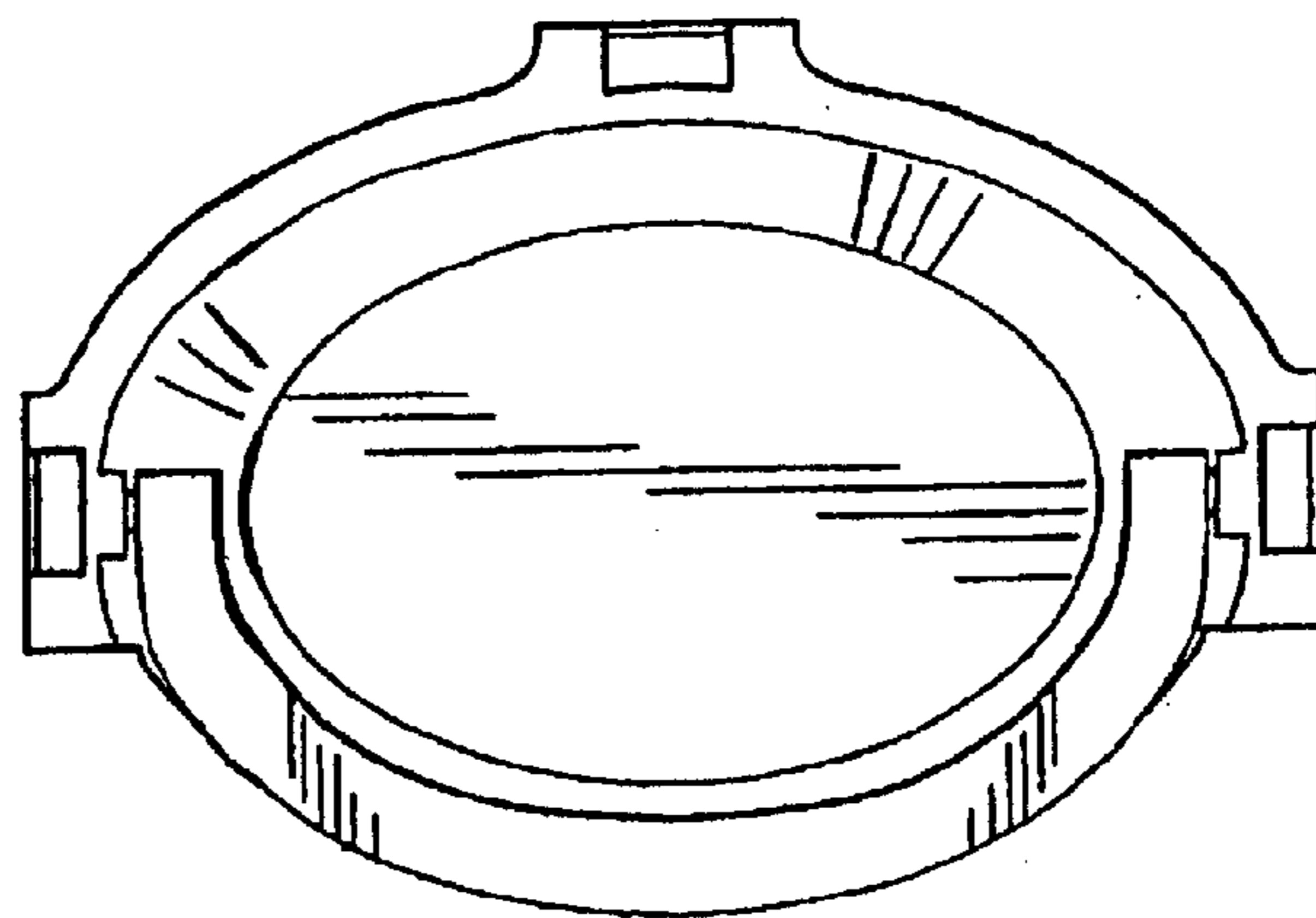


FIG. 7

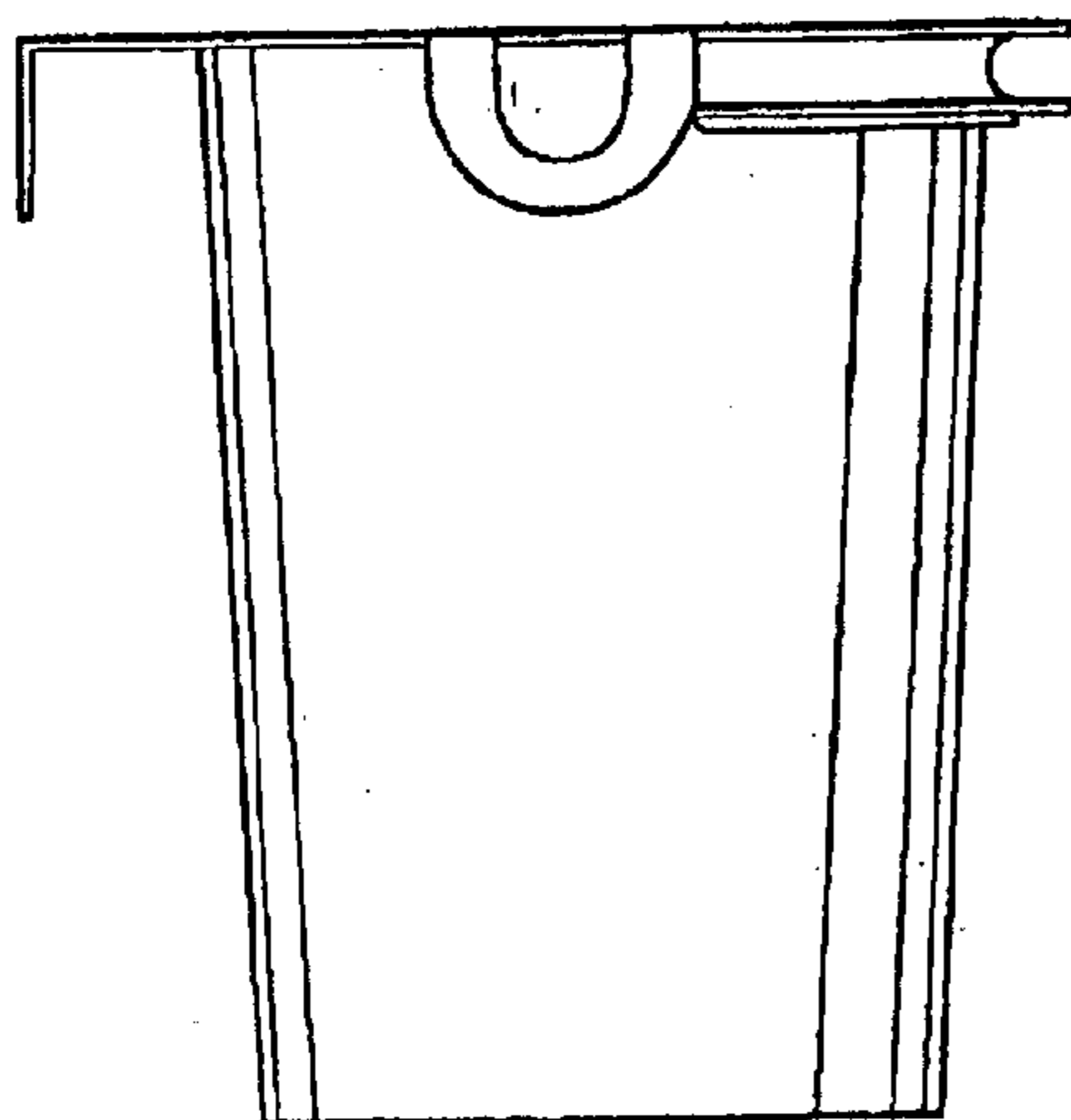


FIG. 8

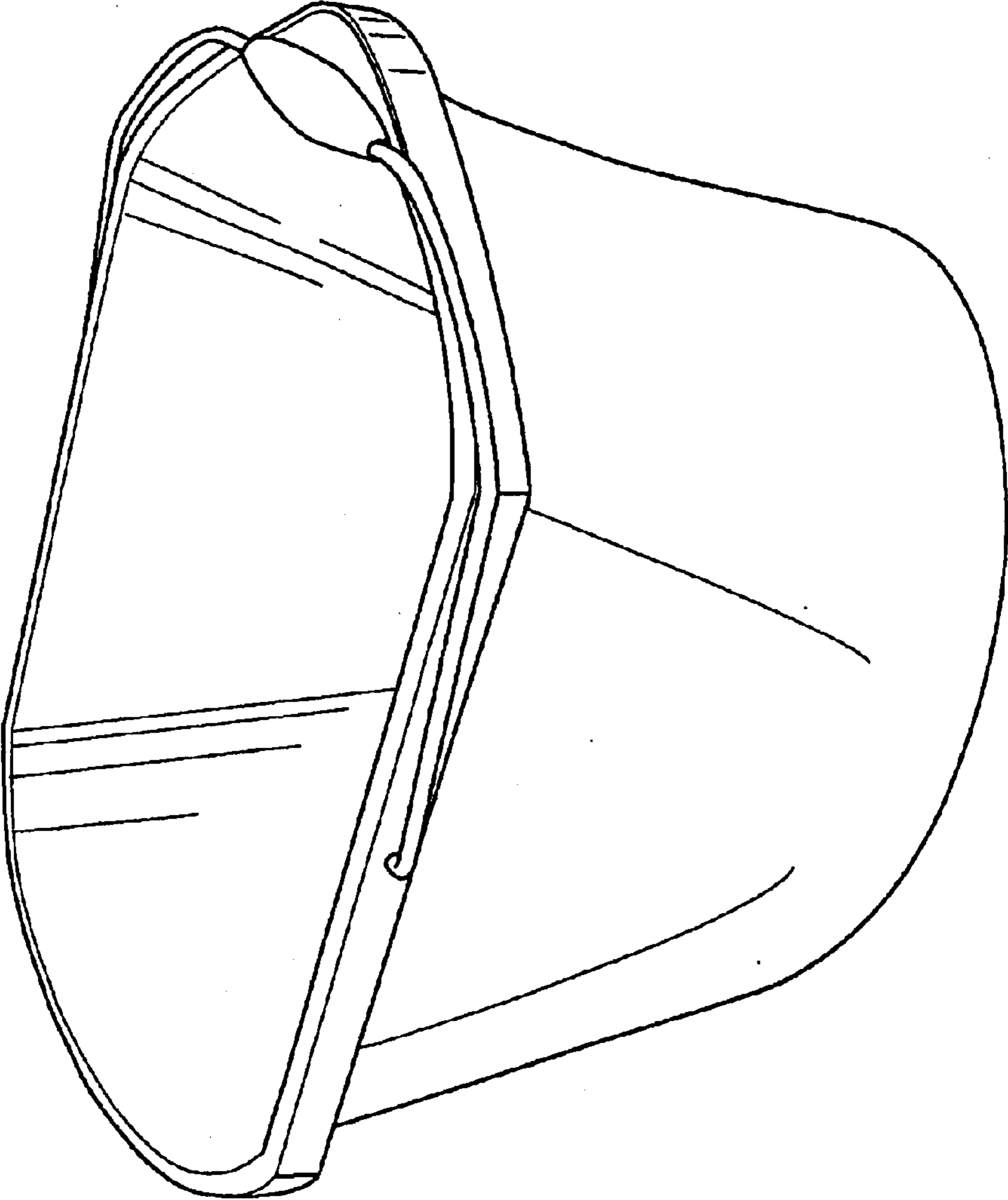


FIG. 9

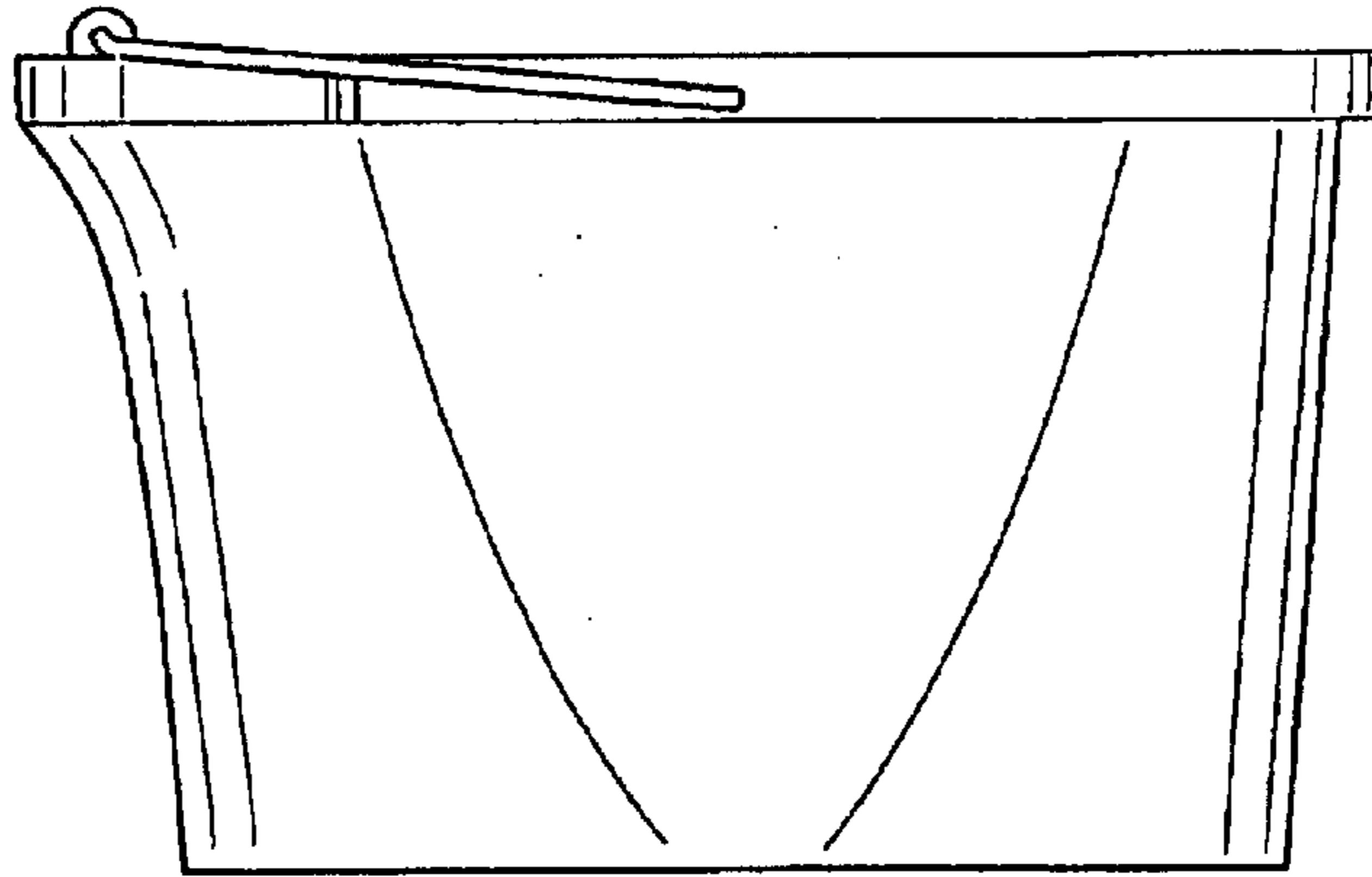


FIG. 10

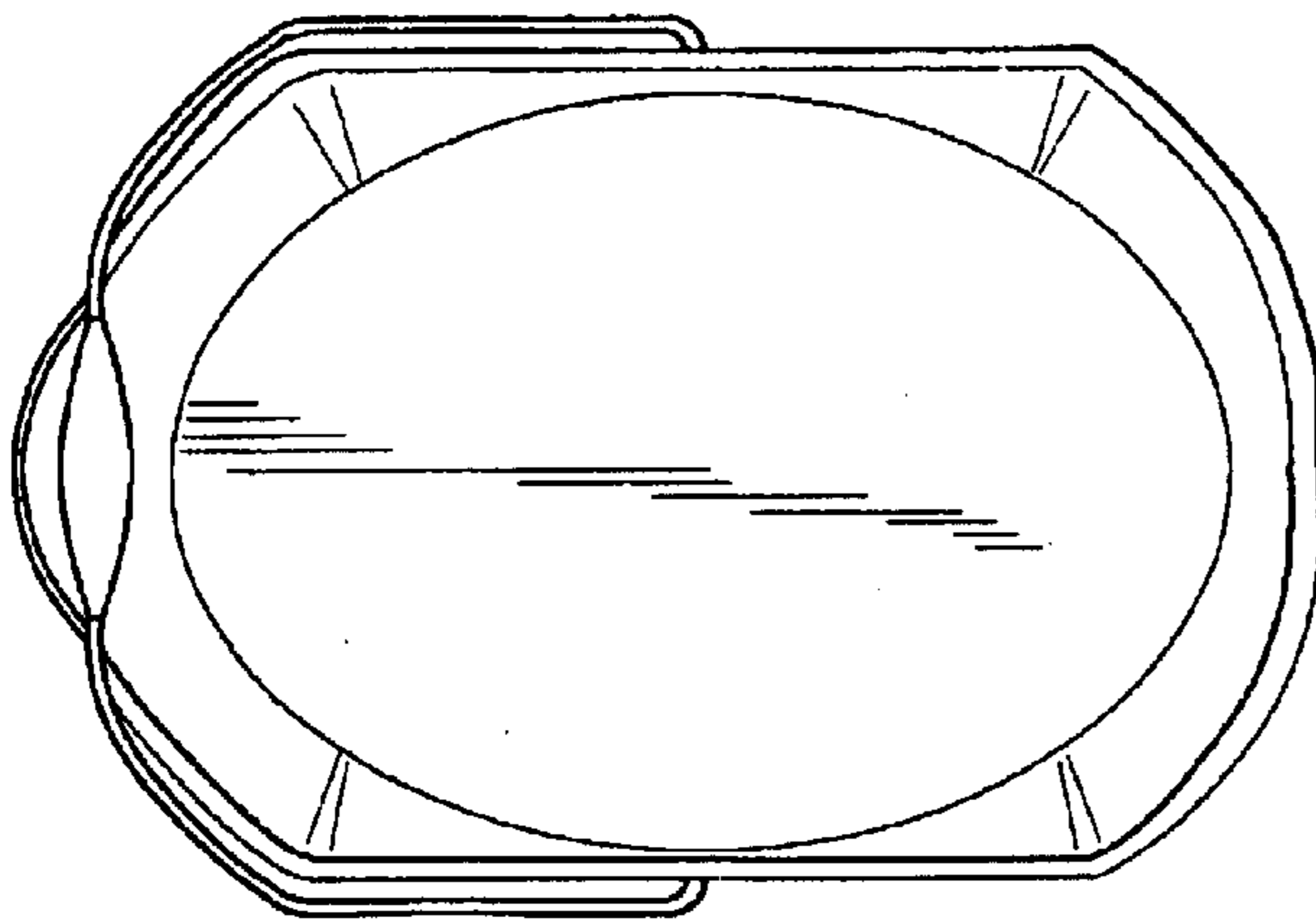


FIG. 11

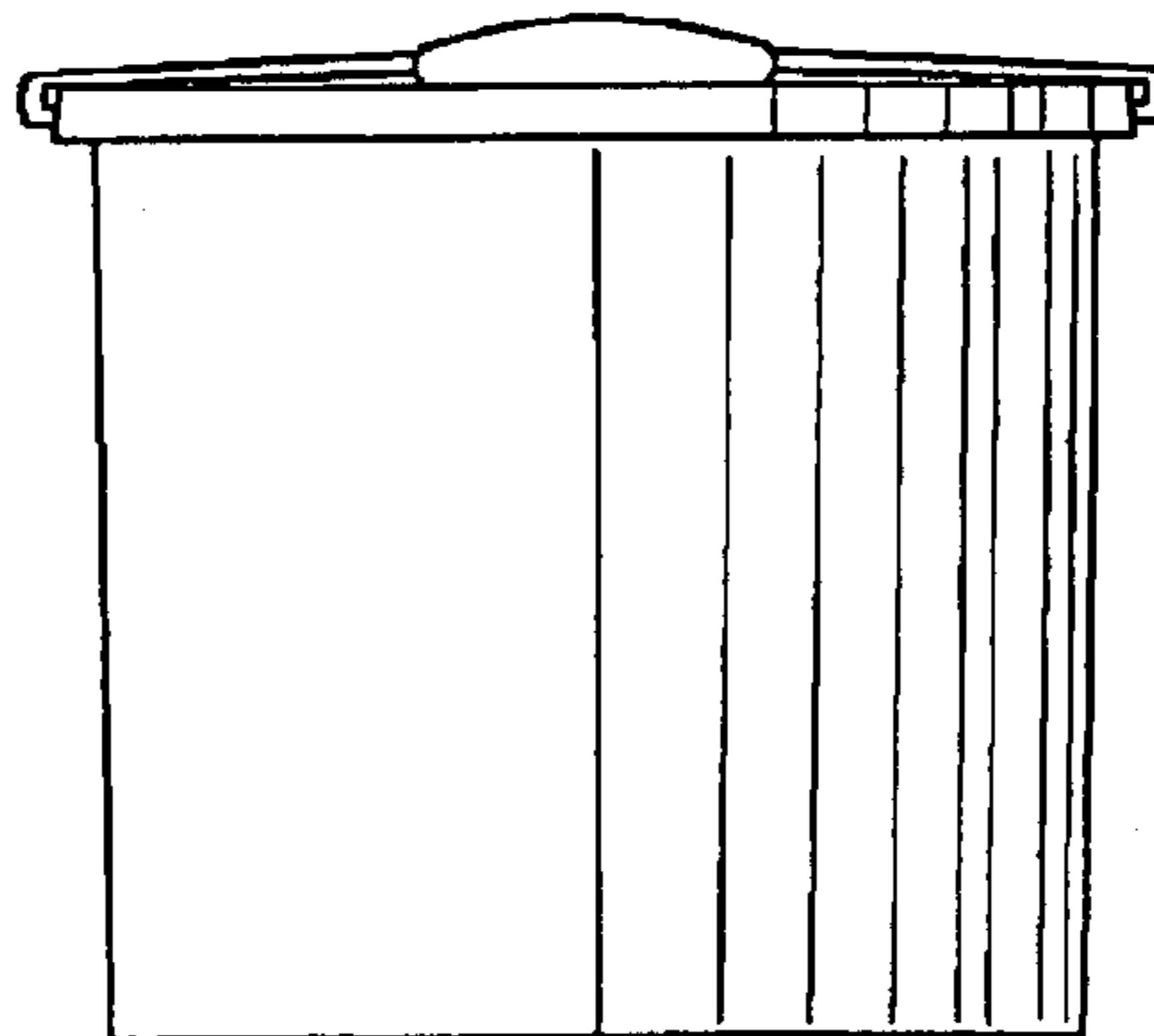


FIG. 12

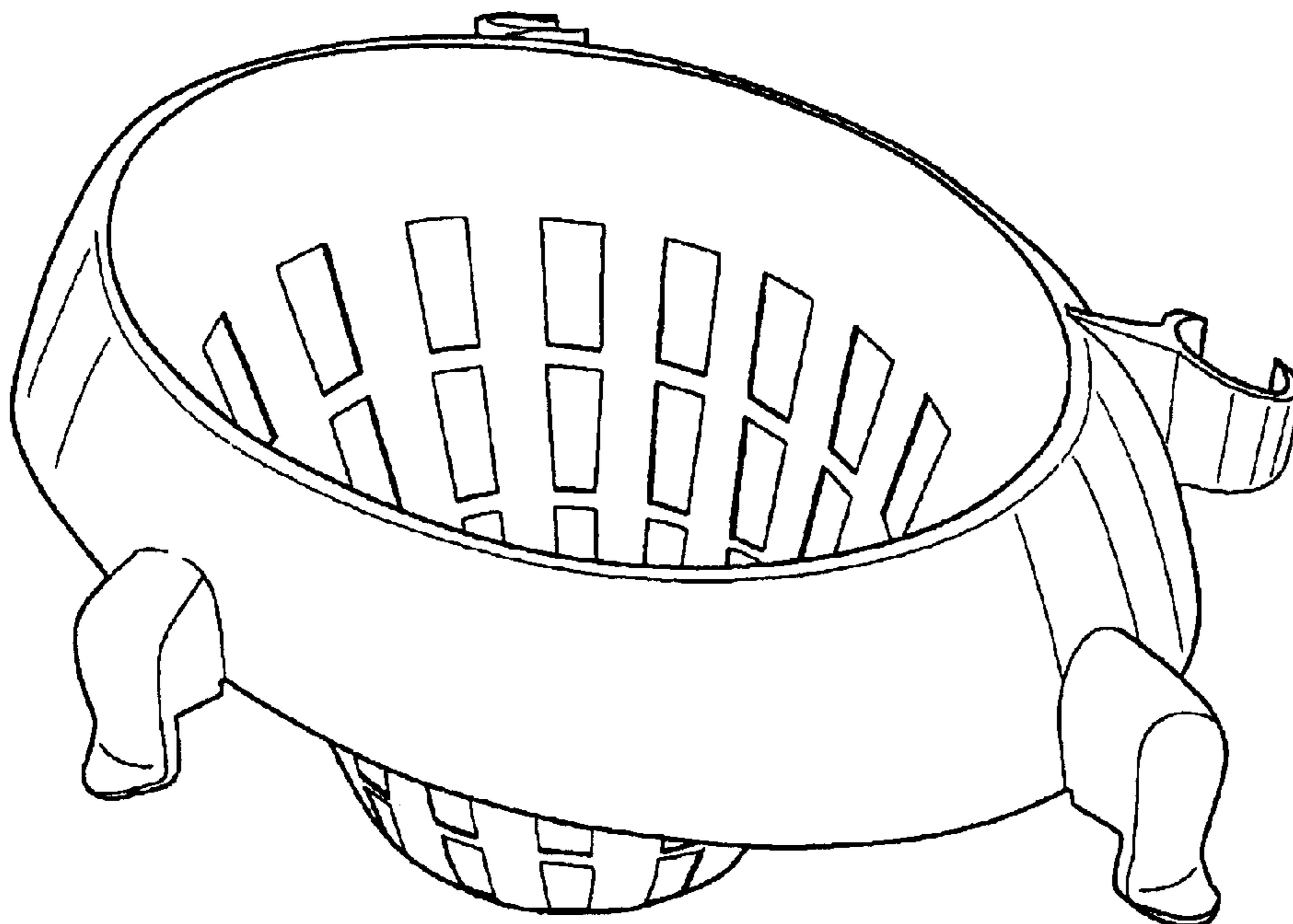


FIG. 13

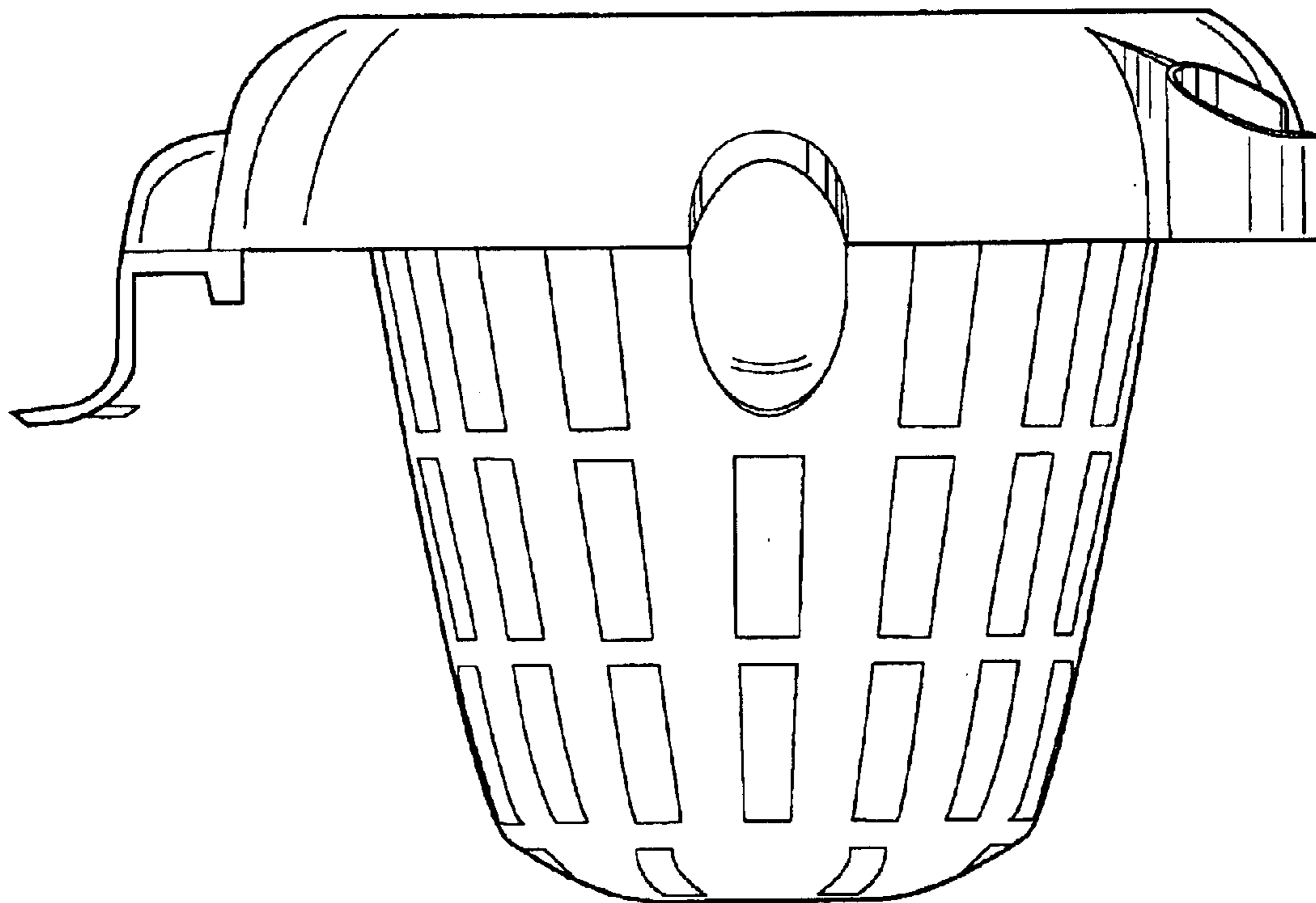


FIG. 14

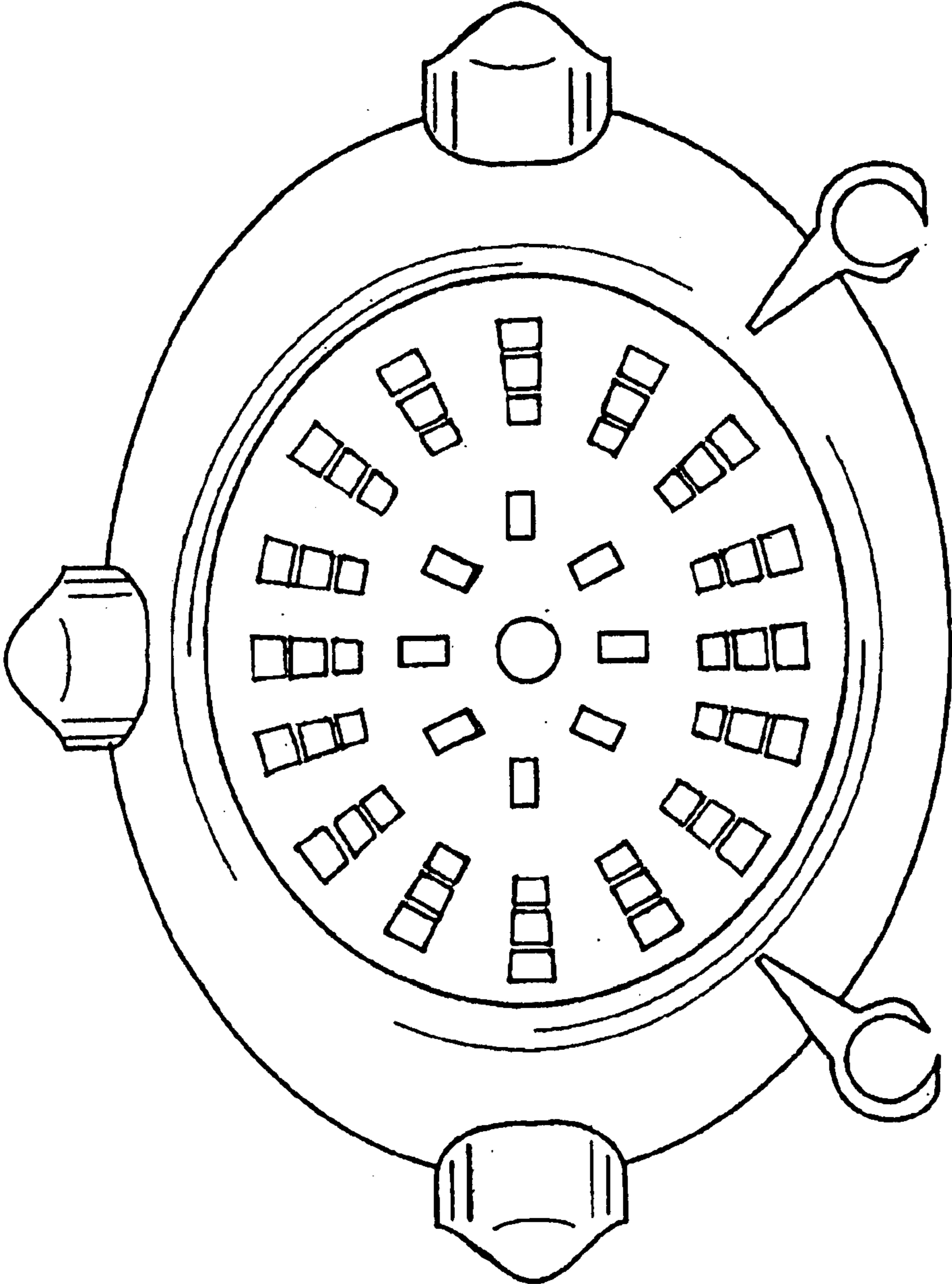


FIG. 15

