



US00D499221S

(12) **United States Design Patent**
Zellner

(10) **Patent No.: US D499,221 S**

(45) **Date of Patent: ** Nov. 30, 2004**

(54) **SCRAPE-OFF TOOL FOR A GAME CARD**

(76) **Inventor: Michael E. Zellner**, 249 S. La Linda Dr., Orange, CA (US) 92868

(**) **Term: 14 Years**

(21) **Appl. No.: 29/190,665**

(22) **Filed: Sep. 25, 2003**

(51) **LOC (7) Cl. 08-05**

(52) **U.S. Cl. D32/46**

(58) **Field of Search** D8/14, 16; D32/40, D32/42, 46, 49; 30/164.9, 169; 15/236.02, 236.01; D10/119

(56) **References Cited**

U.S. PATENT DOCUMENTS

D293,266 S	*	12/1987	Stanich	D32/49
D298,407 S	*	11/1988	Vowell, Jr.	D8/14
D302,880 S	*	8/1989	Terry	D32/46
D311,980 S	*	11/1990	Baker	D32/46
D311,981 S	*	11/1990	Kabbaby et al.	D32/46
D364,718 S	*	11/1995	Reuss	D32/46
D379,256 S	*	5/1997	Tipp	D32/46
D389,624 S	*	1/1998	Drimmie et al.	D32/46
D403,814 S	*	1/1999	Stanford	D32/42

D417,760 S	*	12/1999	Quackenbush	D32/46
D434,888 S	*	12/2000	Hendricks	D32/46
D450,898 S	*	11/2001	Mitchell	D32/46

* cited by examiner

Primary Examiner—Philip S. Hyder

(74) *Attorney, Agent, or Firm*—Morland C. Fischer

(57) **CLAIM**

The ornamental design for a scrape-off tool for a game card, as shown and described.

DESCRIPTION

FIG. 1 is a perspective view showing the bottom, rear and right side of a scrape-off tool for a game card which forms my new design;

FIG. 2 is a front elevational view thereof;

FIG. 3 is a rear elevational view thereof;

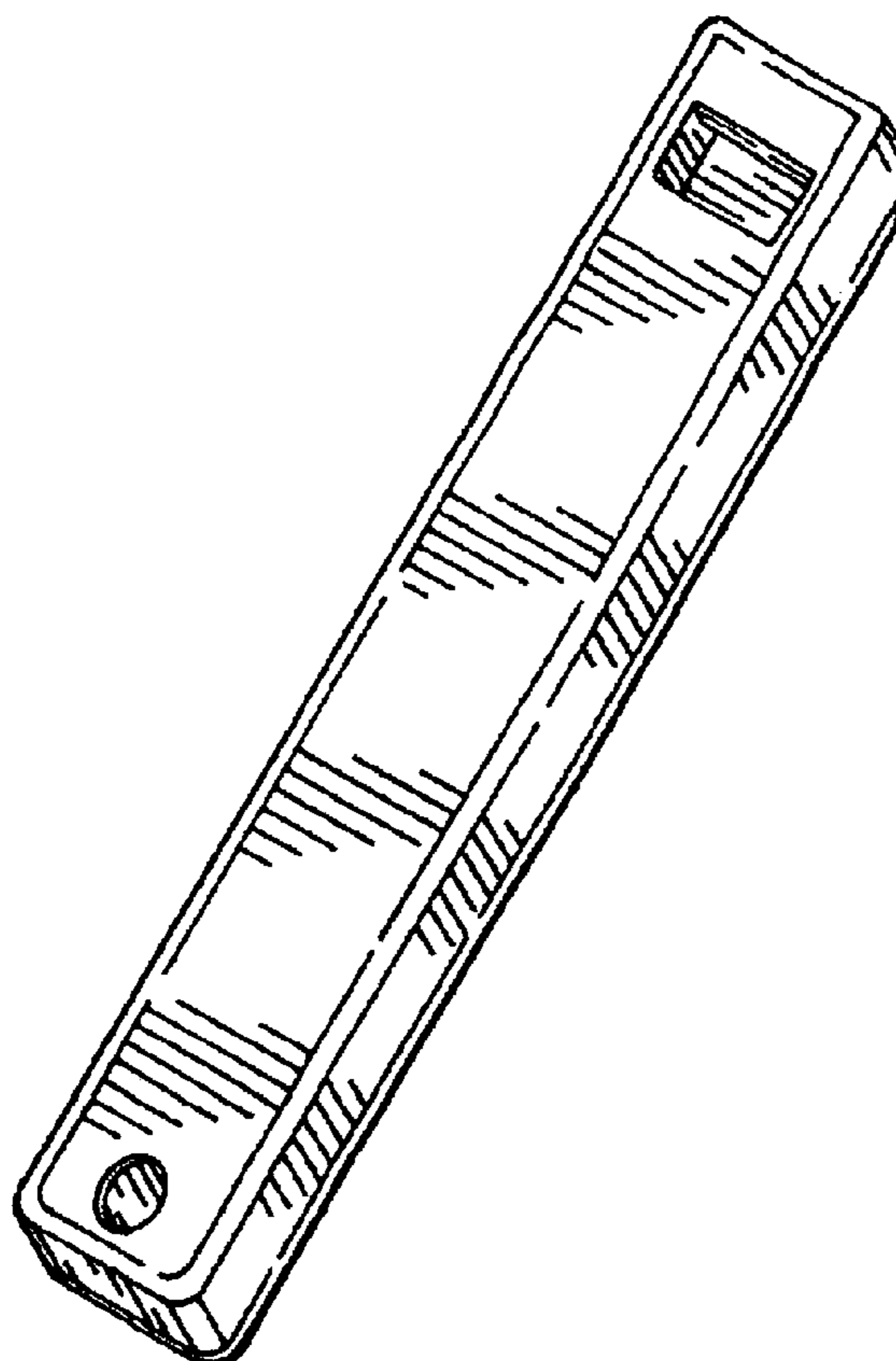
FIG. 4 is a left side elevational view thereof, this side and the opposite right side elevational view being identical views;

FIG. 5 is a top plan view thereof;

FIG. 6 is a bottom plan view thereof; and,

FIG. 7 is a perspective view showing the bottom, rear and right side thereof.

1 Claim, 1 Drawing Sheet



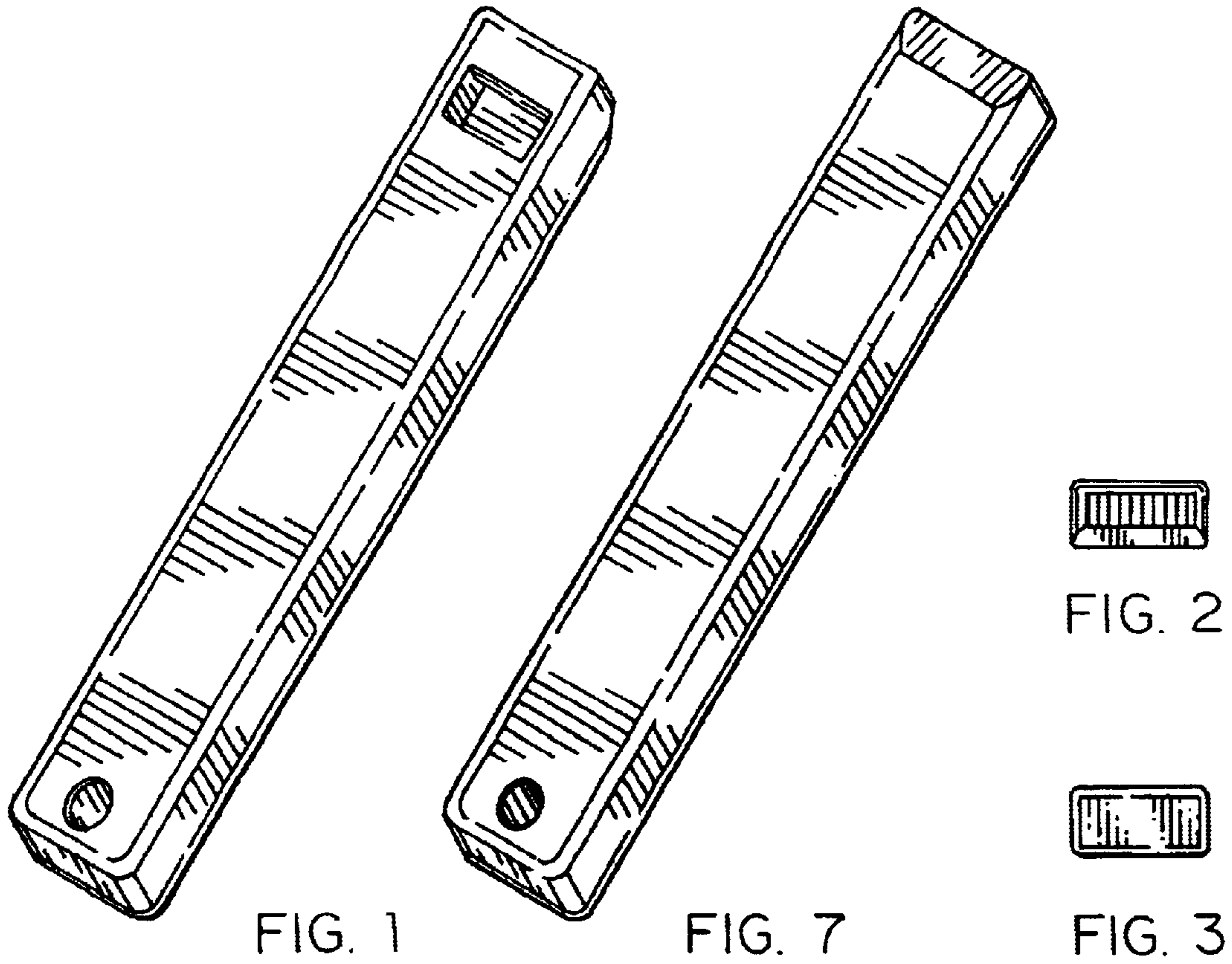


FIG. 4

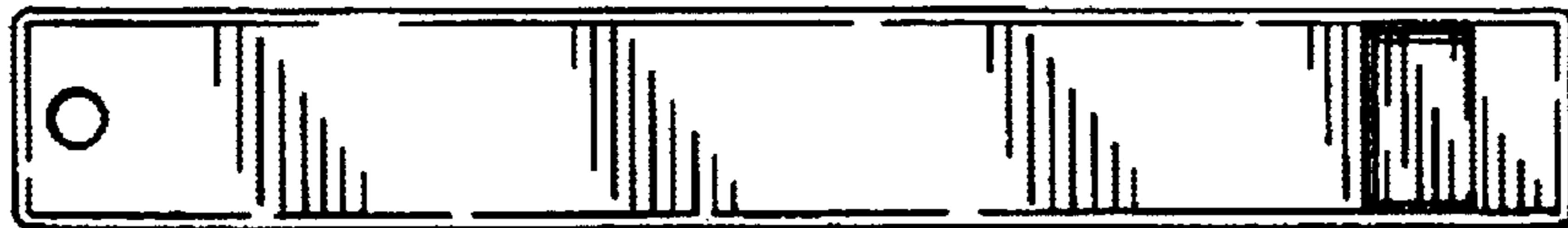


FIG. 5

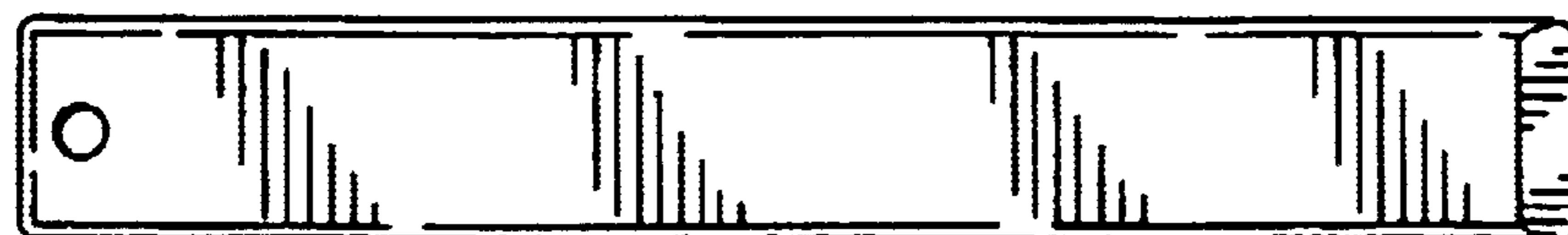


FIG. 6