

US00D499214S

(12) **United States Design Patent**  
**Cheng**

(10) **Patent No.:** **US D499,214 S**

(45) **Date of Patent:** **\*\* Nov. 30, 2004**

(54) **PROTECTIVE HELMET**

(75) **Inventor:** **Chen-San Cheng**, Kaohsiung (TW)

(73) **Assignee:** **Polison Corporation**, Kaohsiung (TW)

(\*\*) **Term:** **14 Years**

(21) **Appl. No.:** **29/189,181**

(22) **Filed:** **Sep. 2, 2003**

(51) **LOC (7) Cl.** ..... **29-02**

(52) **U.S. Cl.** ..... **D29/110**

(58) **Field of Search** ..... D29/102-110,  
D29/112, 122; 2/6.1, 6.3-6.7, 8-10, 411-412,  
414, 416-418, 423-425, 432, 209, 174,  
183; D28/9

(56) **References Cited**

**U.S. PATENT DOCUMENTS**

|            |   |        |                   |       |         |
|------------|---|--------|-------------------|-------|---------|
| D306,363 S | * | 2/1990 | Stackhouse et al. | ..... | D29/110 |
| D349,362 S | * | 8/1994 | Russell           | ..... | D29/110 |
| D354,588 S | * | 1/1995 | Russell           | ..... | D29/110 |
| D354,589 S | * | 1/1995 | Russell           | ..... | D29/110 |
| D361,160 S | * | 8/1995 | Russell           | ..... | D29/110 |

|              |   |         |               |       |         |
|--------------|---|---------|---------------|-------|---------|
| D362,086 S   | * | 9/1995  | Russell       | ..... | D29/110 |
| D375,583 S   | * | 11/1996 | Landis et al. | ..... | D29/108 |
| D458,713 S   | * | 6/2002  | Cheng         | ..... | D29/110 |
| 6,536,045 B1 | * | 3/2003  | Wilson et al. | ..... | 2/15    |
| 6,591,424 B1 | * | 7/2003  | Wang-Lee      | ..... | 2/8     |

\* cited by examiner

*Primary Examiner*—Ruth McInroy

(74) *Attorney, Agent, or Firm*—Leong C. Lei

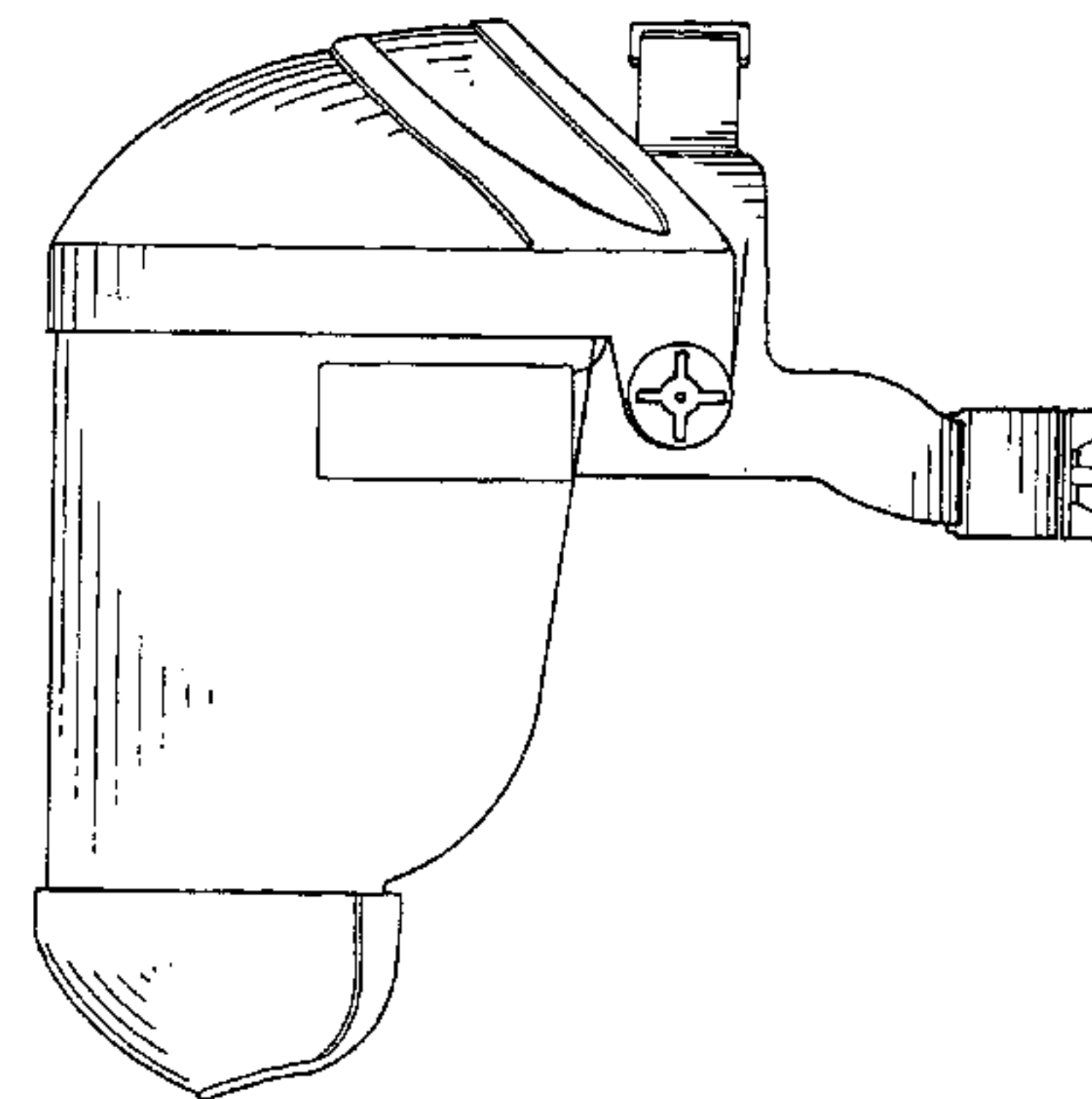
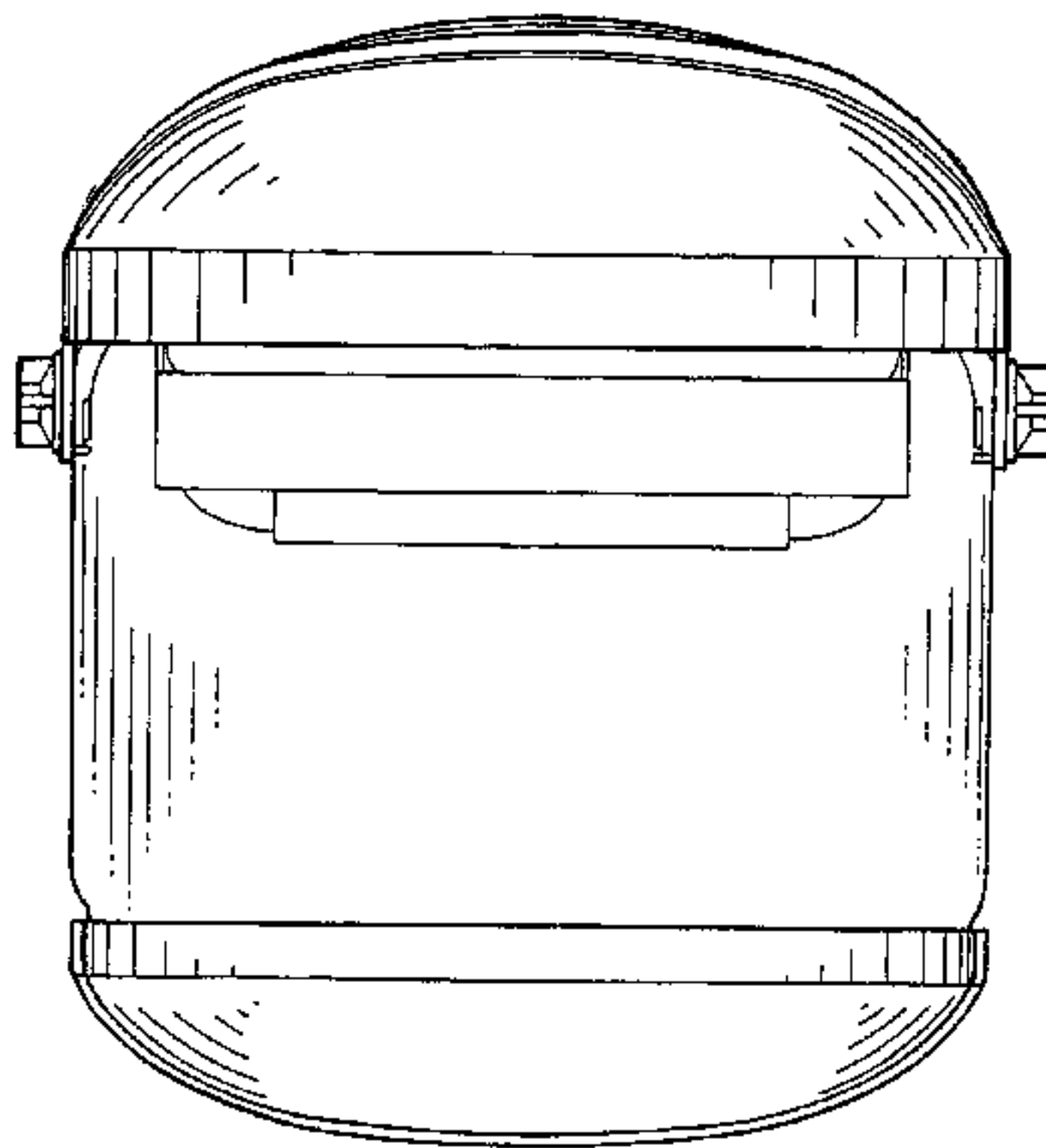
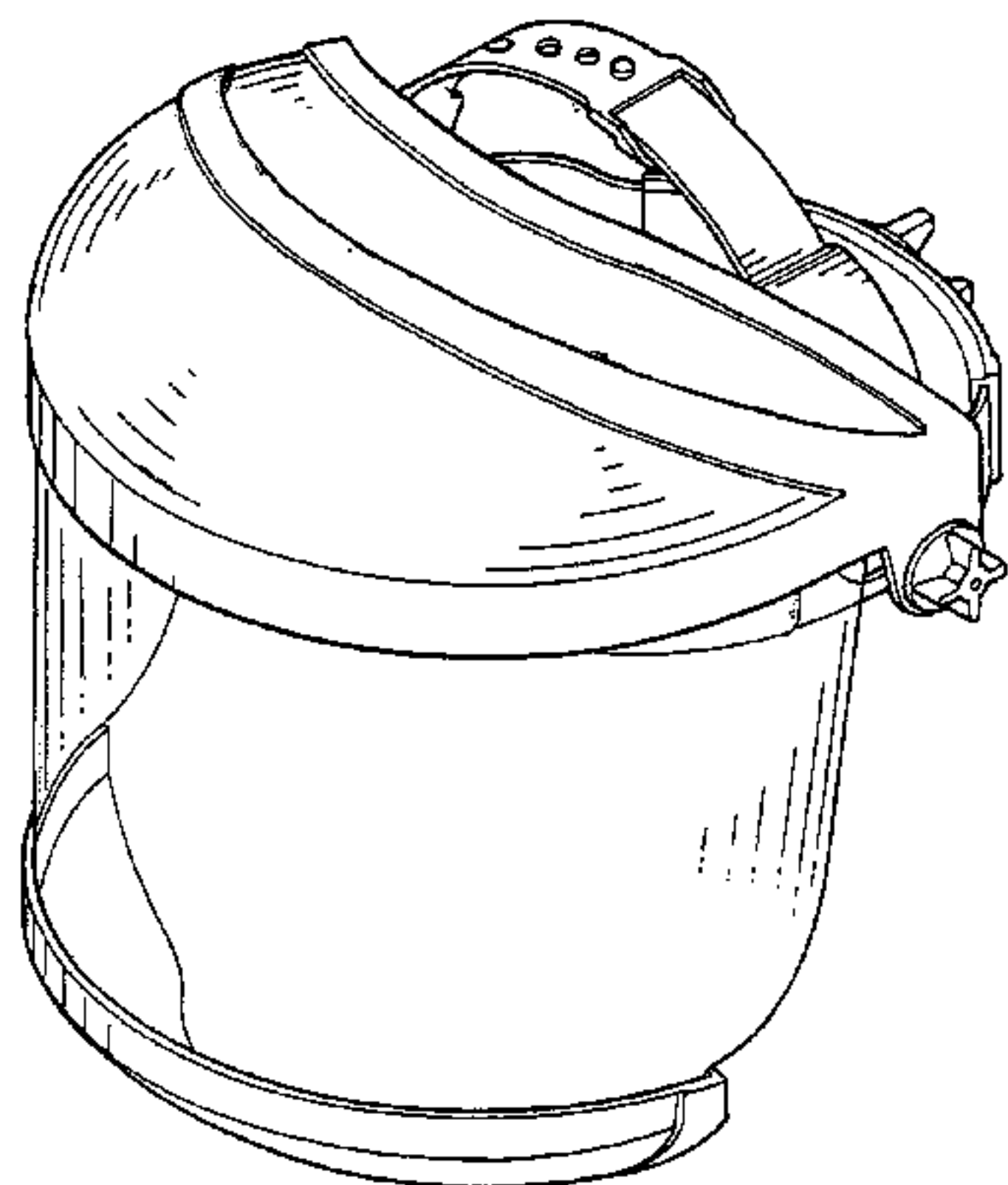
(57) **CLAIM**

The ornamental design for a protective helmet, as shown and described.

**DESCRIPTION**

FIG. 1 is perspective view of a protective helmet showing my new design;  
FIG. 2 is a front side elevation view thereof;  
FIG. 3 is a rear side elevation view thereof;  
FIG. 4 is a left side elevation view thereof;  
FIG. 5 is a right side elevation view thereof;  
FIG. 6 is a top plan view thereof; and,  
FIG. 7 is a bottom plan view thereof.

**1 Claim, 7 Drawing Sheets**



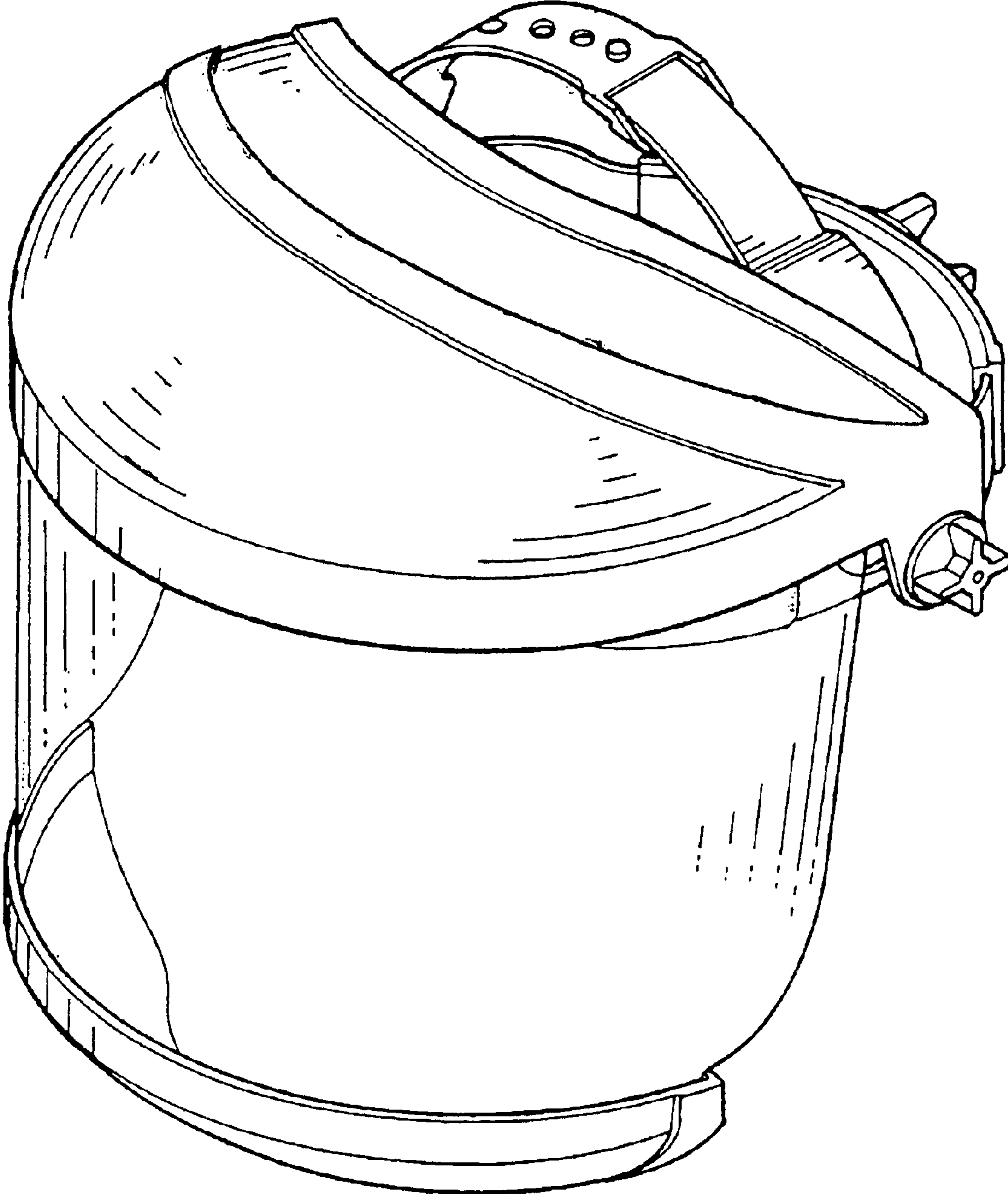


FIG. 1

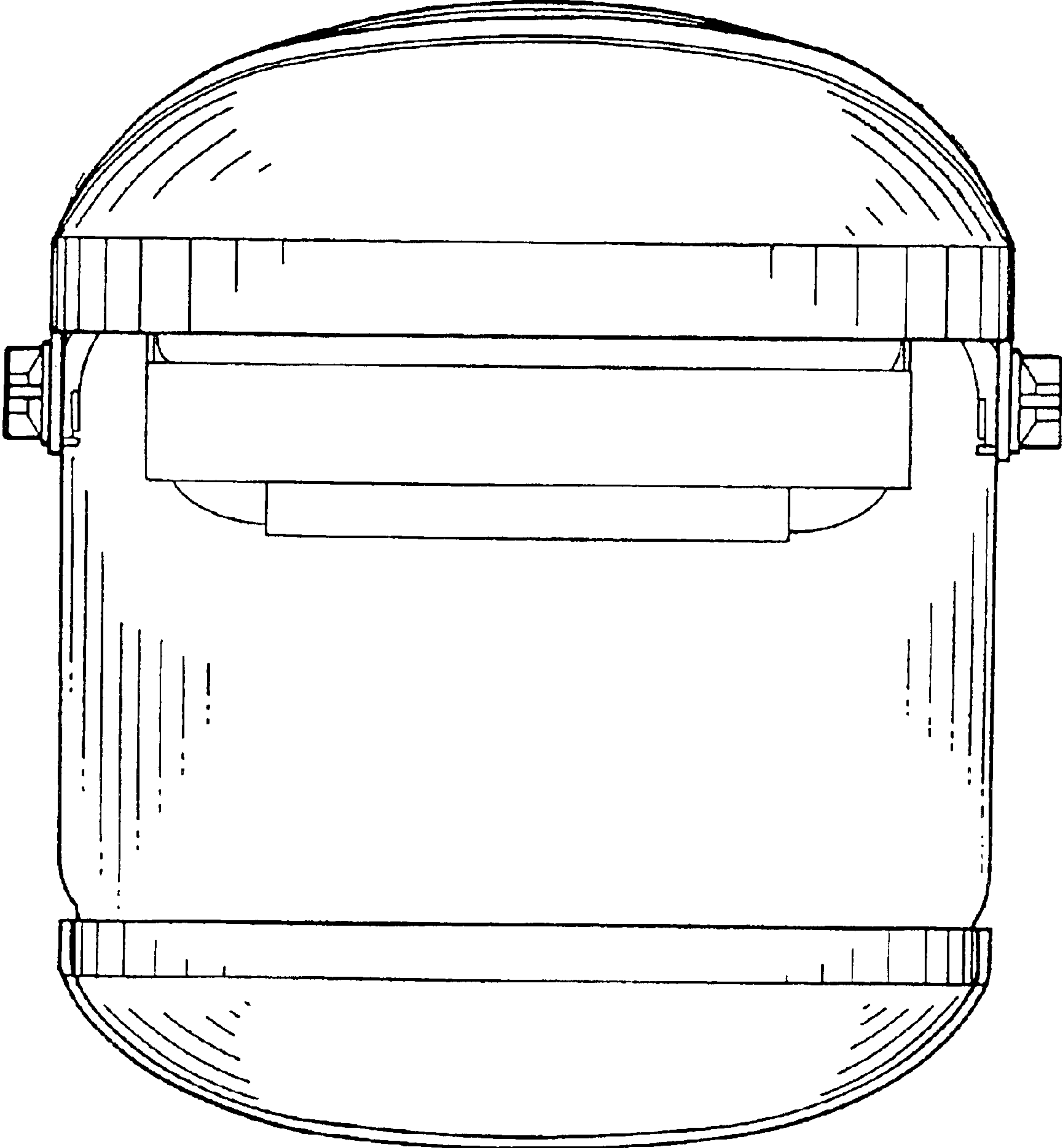


FIG.2

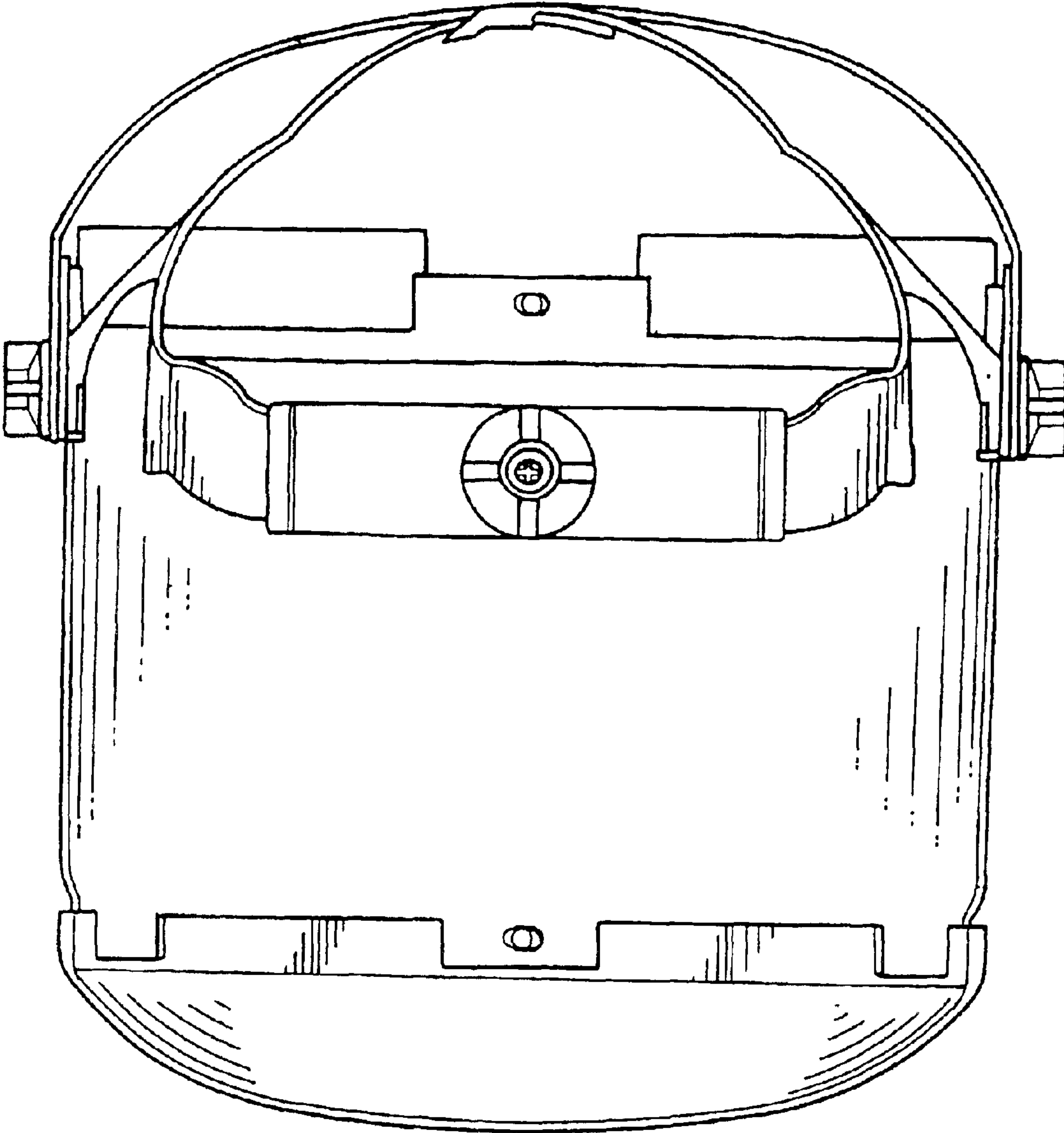


FIG. 3

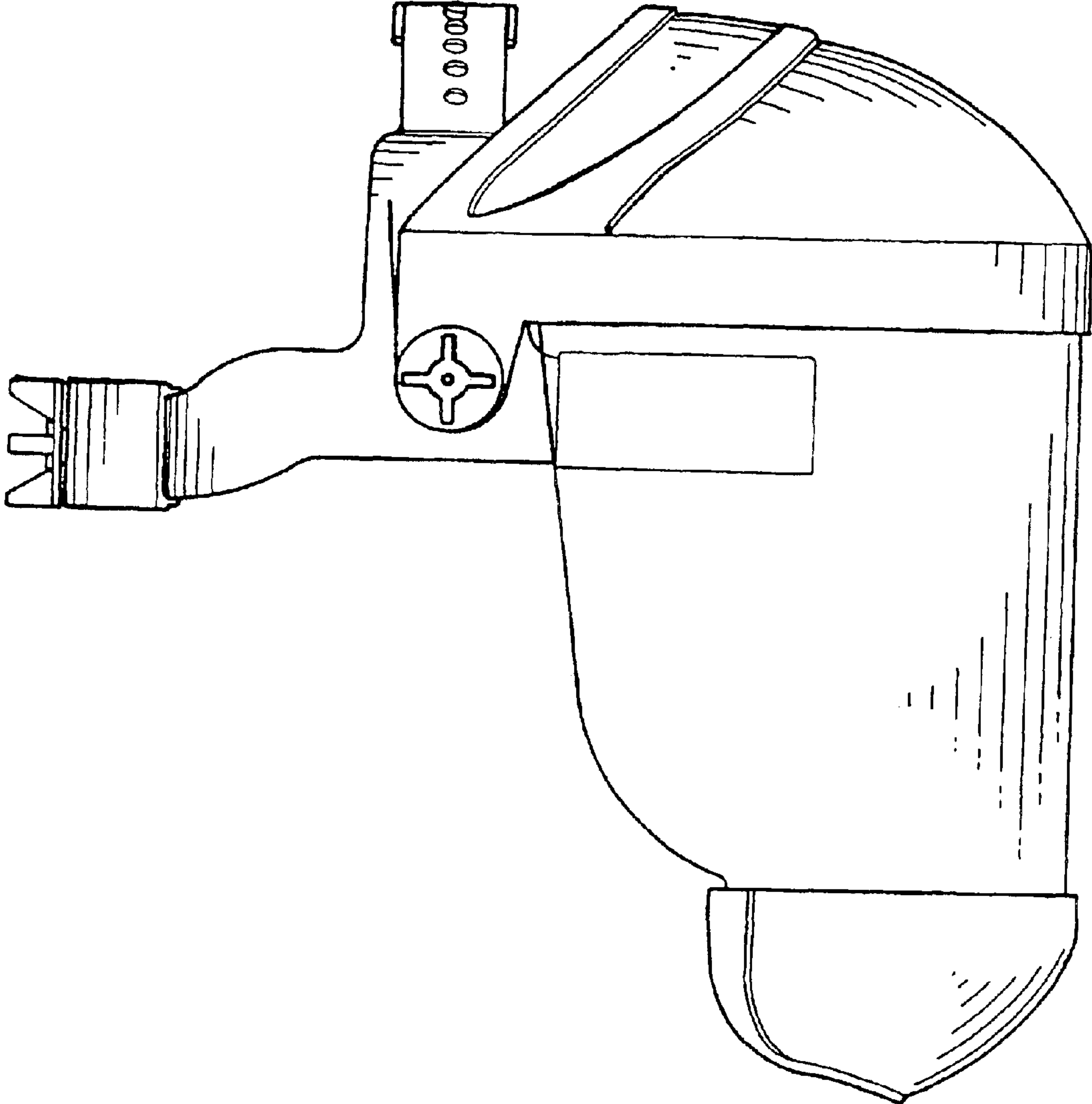


FIG.4

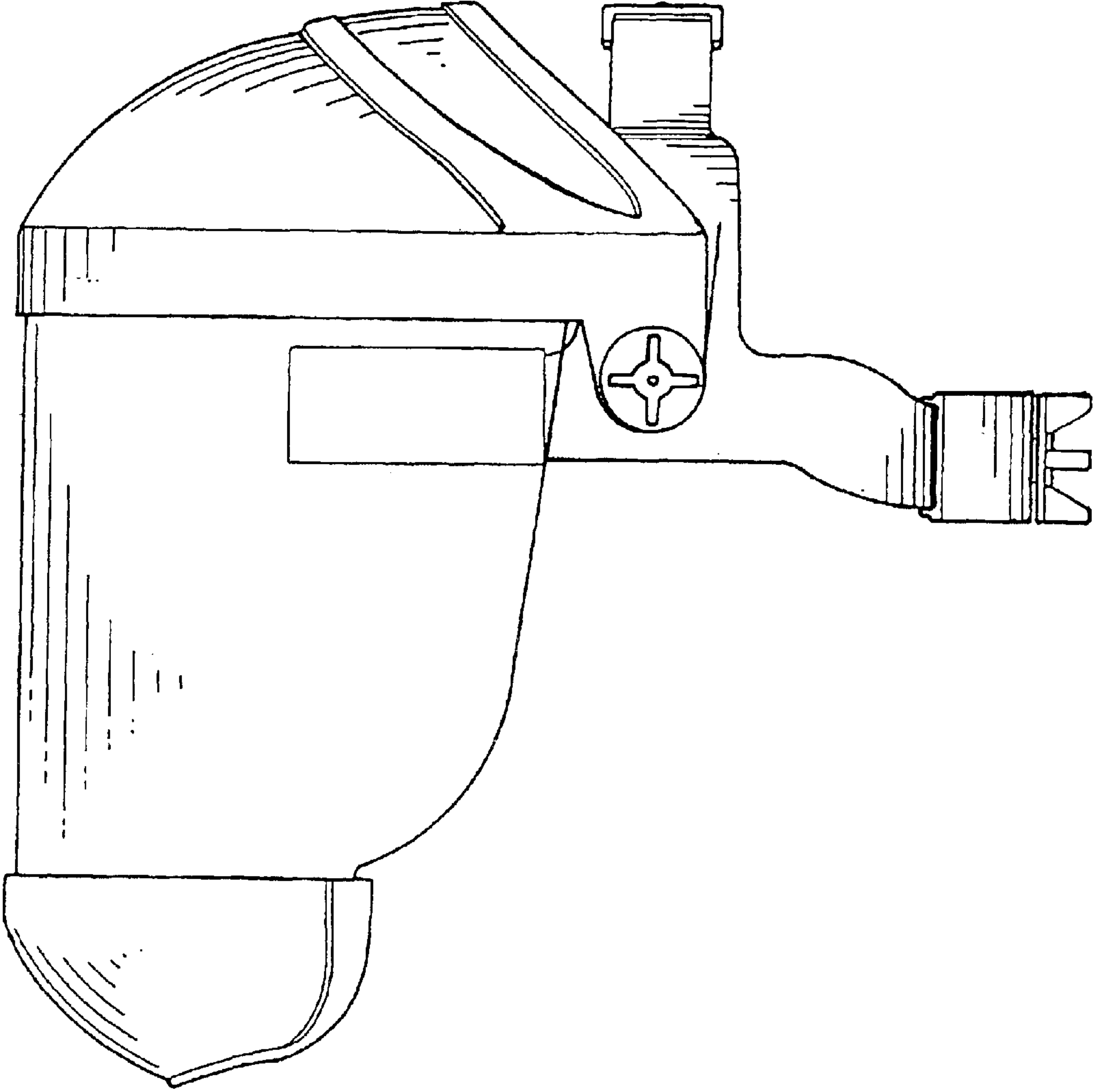


FIG. 5



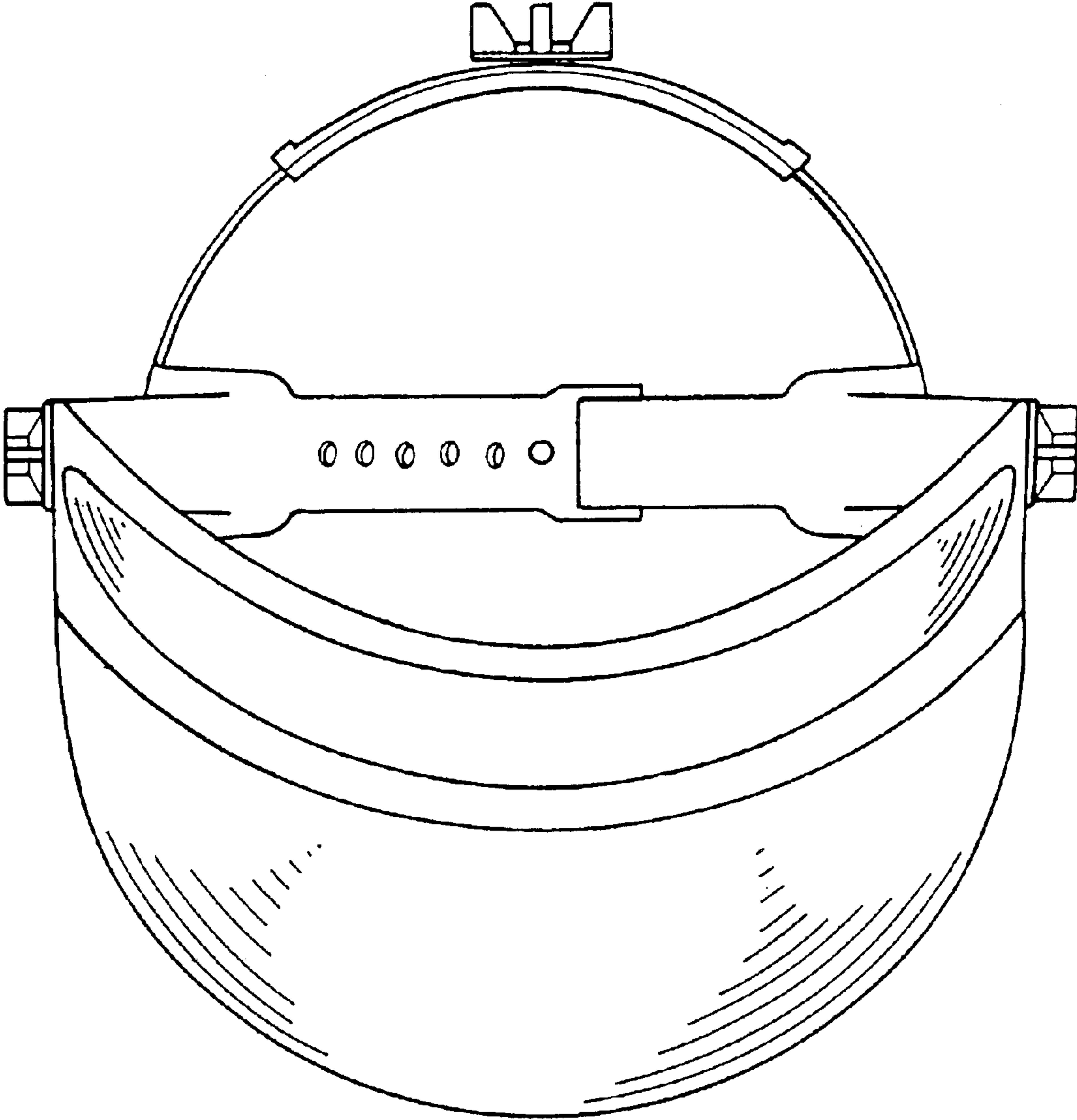


FIG. 6

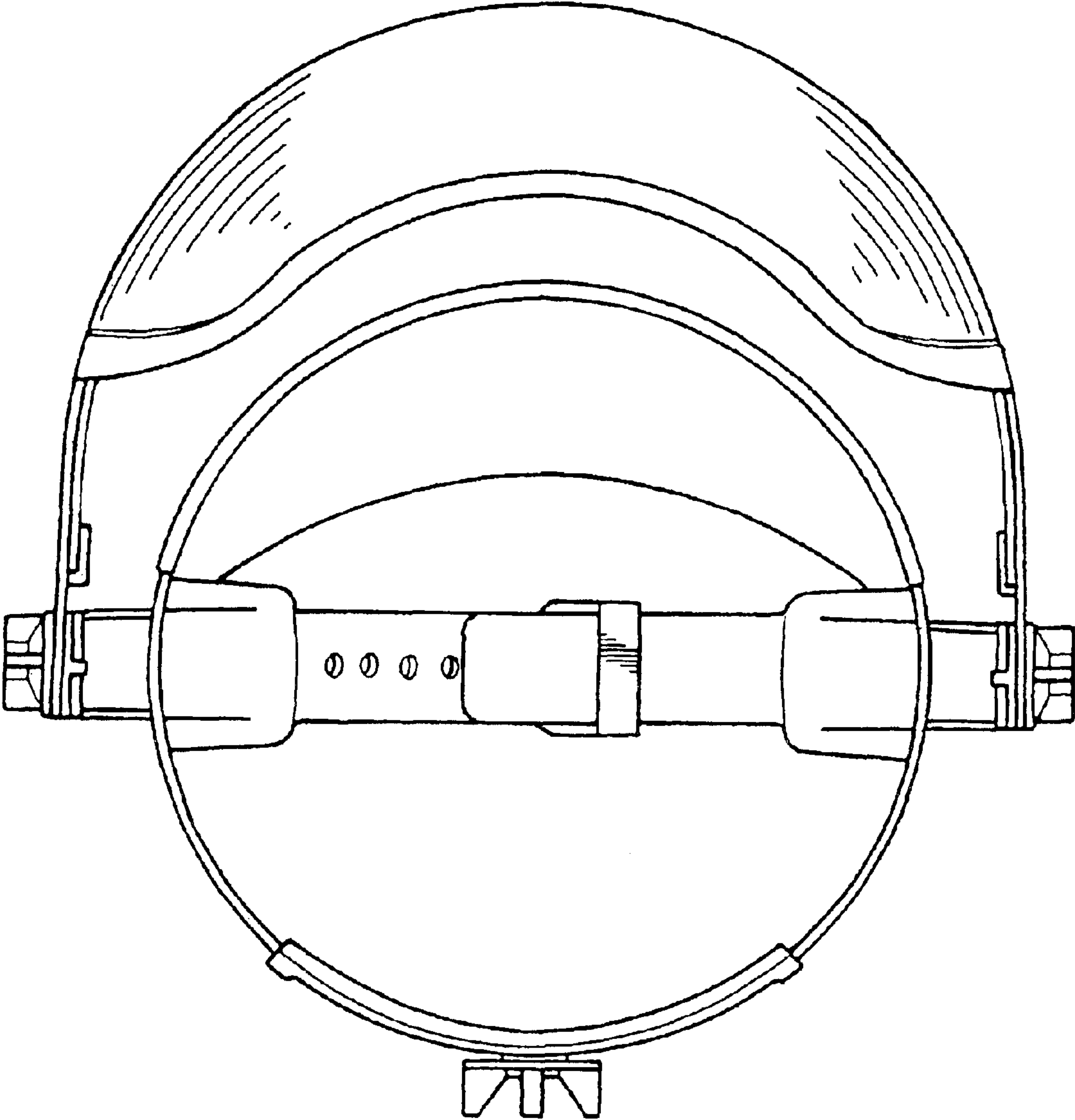


FIG. 7