

US00D499210S

(12) **United States Design Patent** (10) **Patent No.:** **US D499,210 S**  
**Shepperson et al.** (45) **Date of Patent:** **\*\* \*Nov. 30, 2004**

(54) **COMBINATION RAZOR HANDLE AND BLADE**

(75) Inventors: **Ian Raymond Shepperson**, Ripley (GB); **Frank Prochaska**, Waynesboro, VA (US); **Jeffrey W. Wonderley**, Fort Defiance, VA (US)

(73) Assignee: **American Safety Razor**, Verona, VA (US)

(\*) Notice: This patent is subject to a terminal disclaimer.

(\*\*) Term: **14 Years**

(21) Appl. No.: **29/147,366**

(22) Filed: **Aug. 29, 2001**

(51) **LOC (7) Cl.** ..... **28-03**

(52) **U.S. Cl.** ..... **D28/46**

(58) **Field of Search** ..... D28/44-48; 30/32, 30/47-51, 526, 527, 530-533

(56) **References Cited**

**U.S. PATENT DOCUMENTS**

D208,619 S	*	9/1967	Baker et al.	.....	D28/46
D235,696 S	*	7/1975	Krupski	.....	D28/48
D259,743 S	*	6/1981	Hollinger	.....	D28/46
D355,049 S	*	1/1995	Yasui	.....	D28/48
D407,851 S	*	4/1999	Shurtleff	.....	D29/48
D415,317 S	*	10/1999	Aiston	.....	D28/48
D421,155 S	*	2/2000	Grange	.....	D28/48
D428,203 S	*	7/2000	Zwonitzer et al.	.....	D28/48
D428,532 S	*	7/2000	Prochaska	.....	D28/47
D445,958 S	*	7/2001	Dansreau et al.	.....	D28/48
D458,410 S	*	6/2002	Shepperson	.....	D28/48

\* cited by examiner

*Primary Examiner*—Prabhakar Deshmukh

*Assistant Examiner*—C Tuttle

(74) *Attorney, Agent, or Firm*—McDermott Will & Emery LLP

(57) **CLAIM**

The ornamental design for a combination razor handle and blade, as shown and described.

**DESCRIPTION**

FIG. 1 is a front perspective view of a first embodiment of the combination razor handle and blade showing the new design;

FIG. 2 is a side view of the first embodiment of the combination razor handle and blade;

FIG. 3 is a top view of the first embodiment of the combination razor handle and blade;

FIG. 4 is a bottom view of the first embodiment of the combination razor handle and blade;

FIG. 5 is a front view of the first embodiment of the combination razor handle and blade;

FIG. 6 is a rear view of the first embodiment of the combination razor handle and blade;

FIG. 7 is a front perspective view of a second embodiment of the combination razor handle and blade;

FIG. 8 is a side view of the second embodiment of the combination razor handle and blade;

FIG. 9 is a top view of the second embodiment of the combination razor handle and blade;

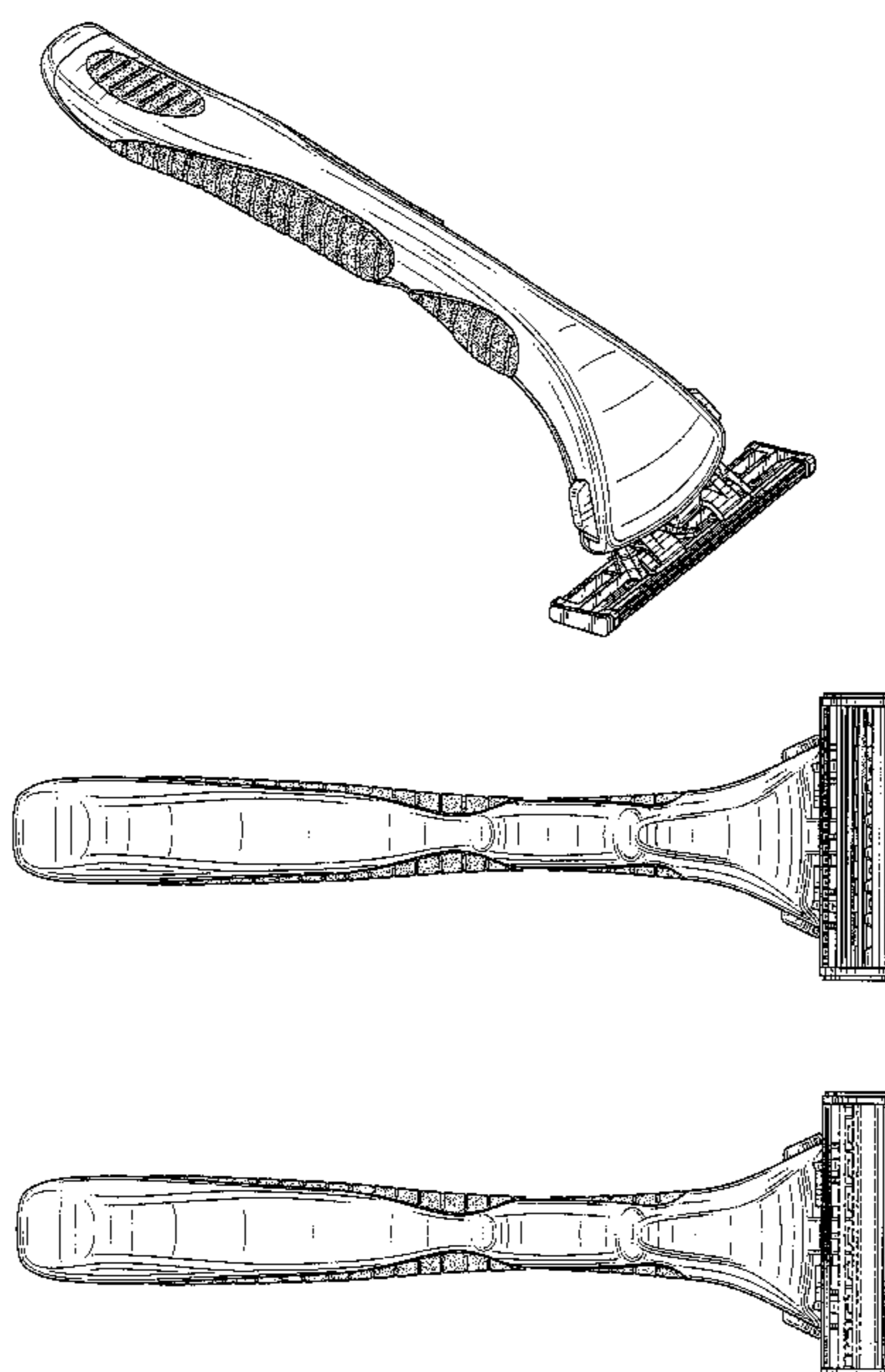
FIG. 10 is a bottom view of the second embodiment of the combination razor handle and blade;

FIG. 11 is a front view of the second embodiment of the combination razor handle and blade; and,

FIG. 12 is a rear view of the second embodiment of the combination razor handle and blade.

The structures shown in broken lines are for illustrative purposes only and form no part of the claimed design.

**1 Claim, 10 Drawing Sheets**



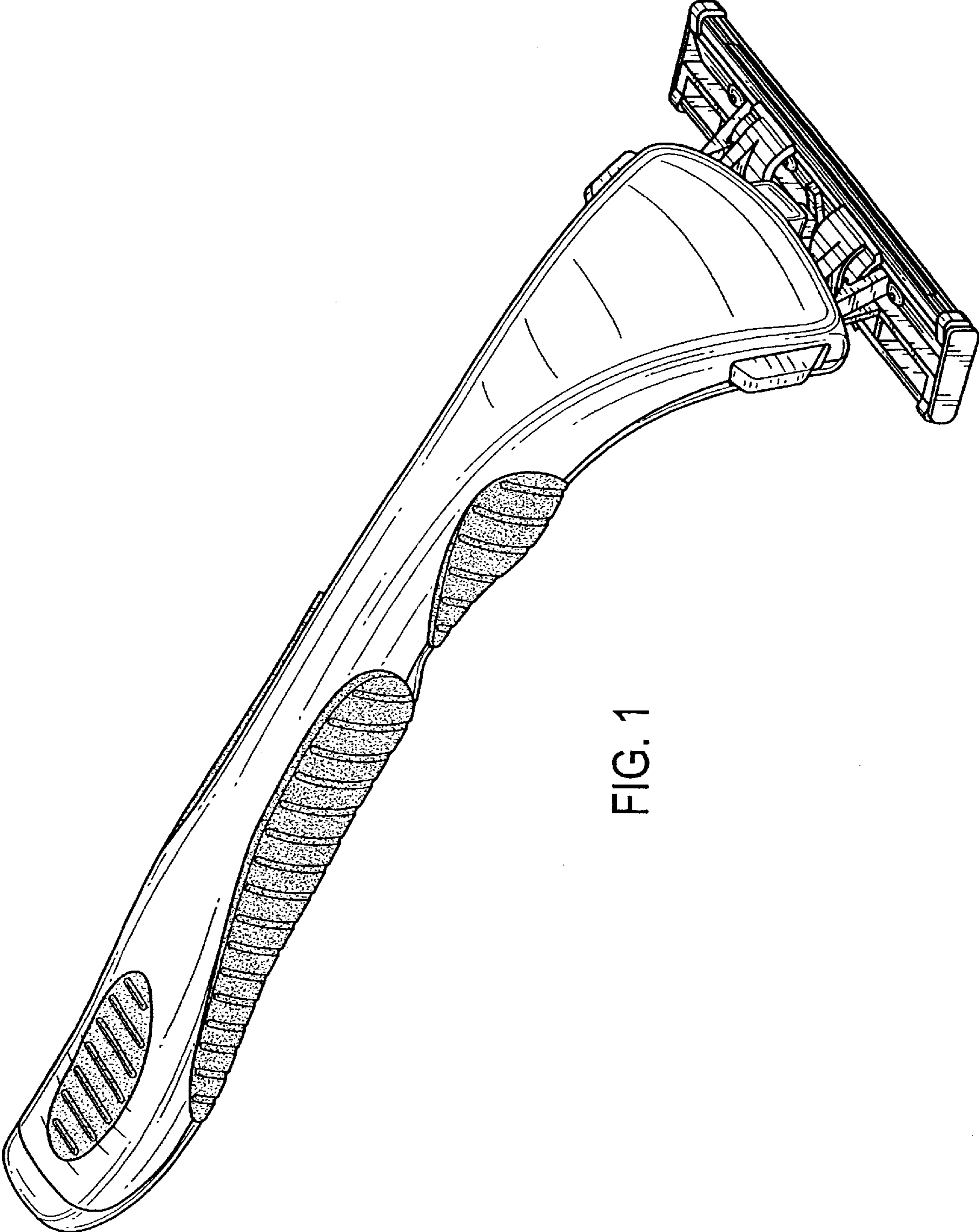


FIG. 1

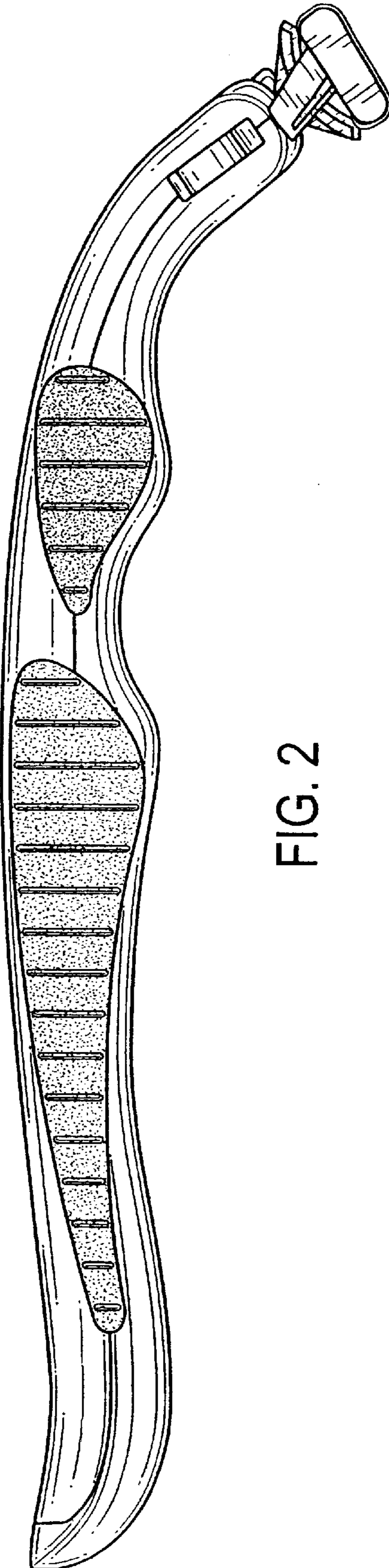


FIG. 2

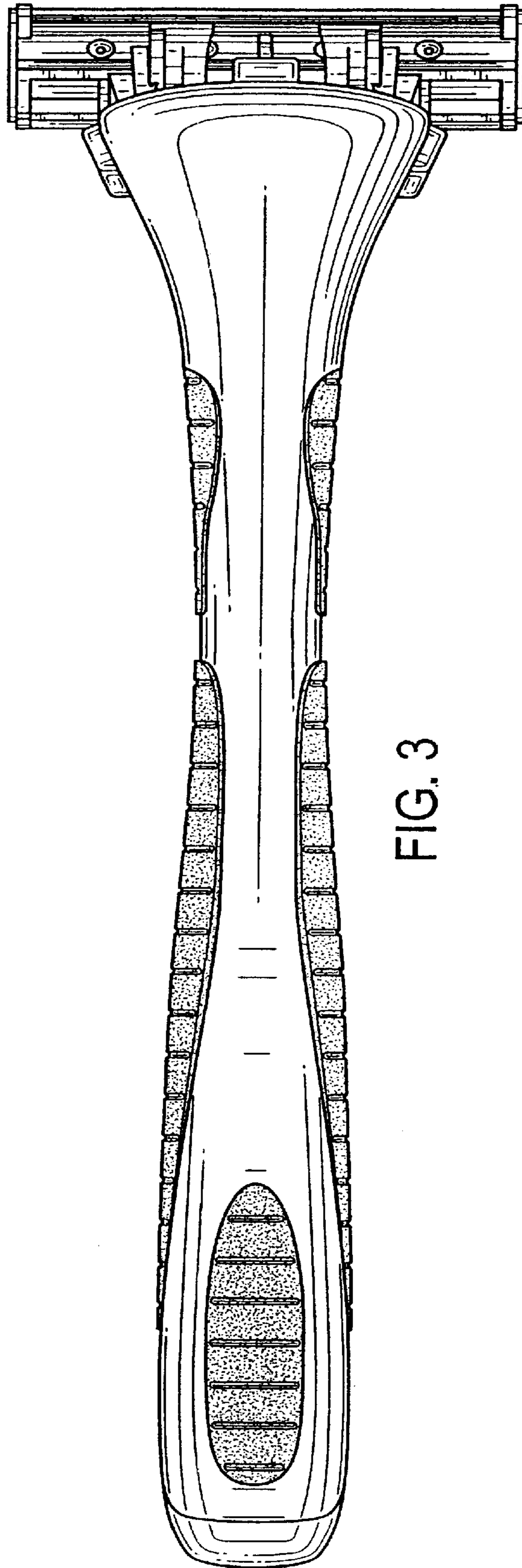


FIG. 3

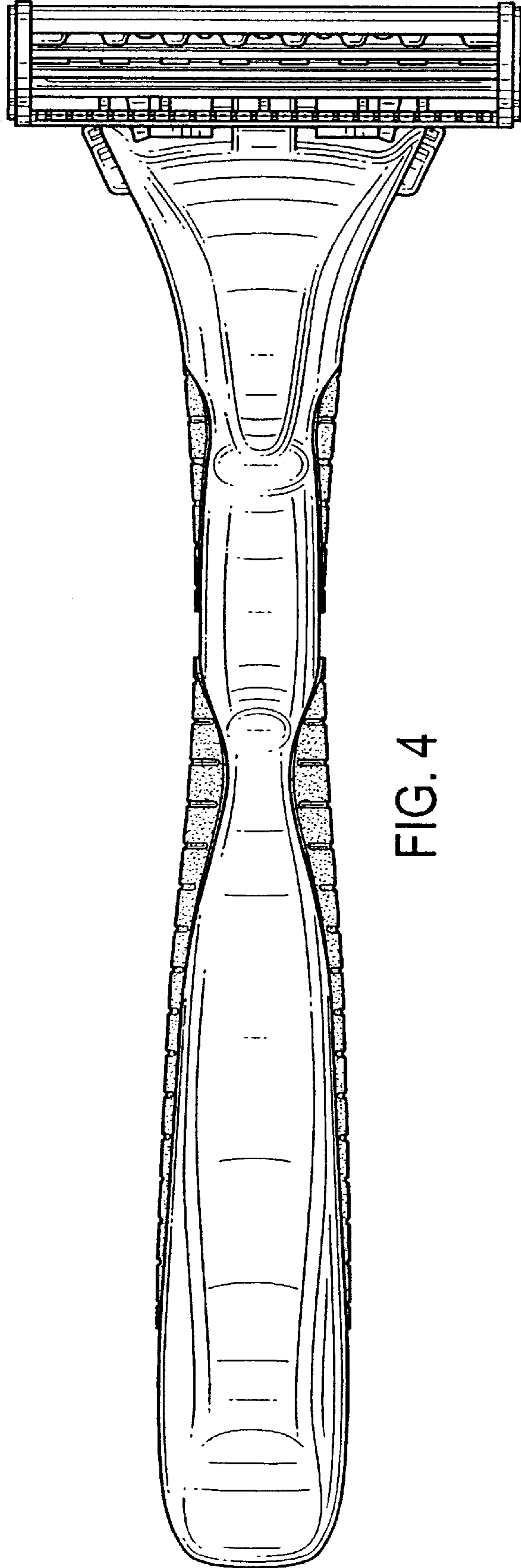


FIG. 4

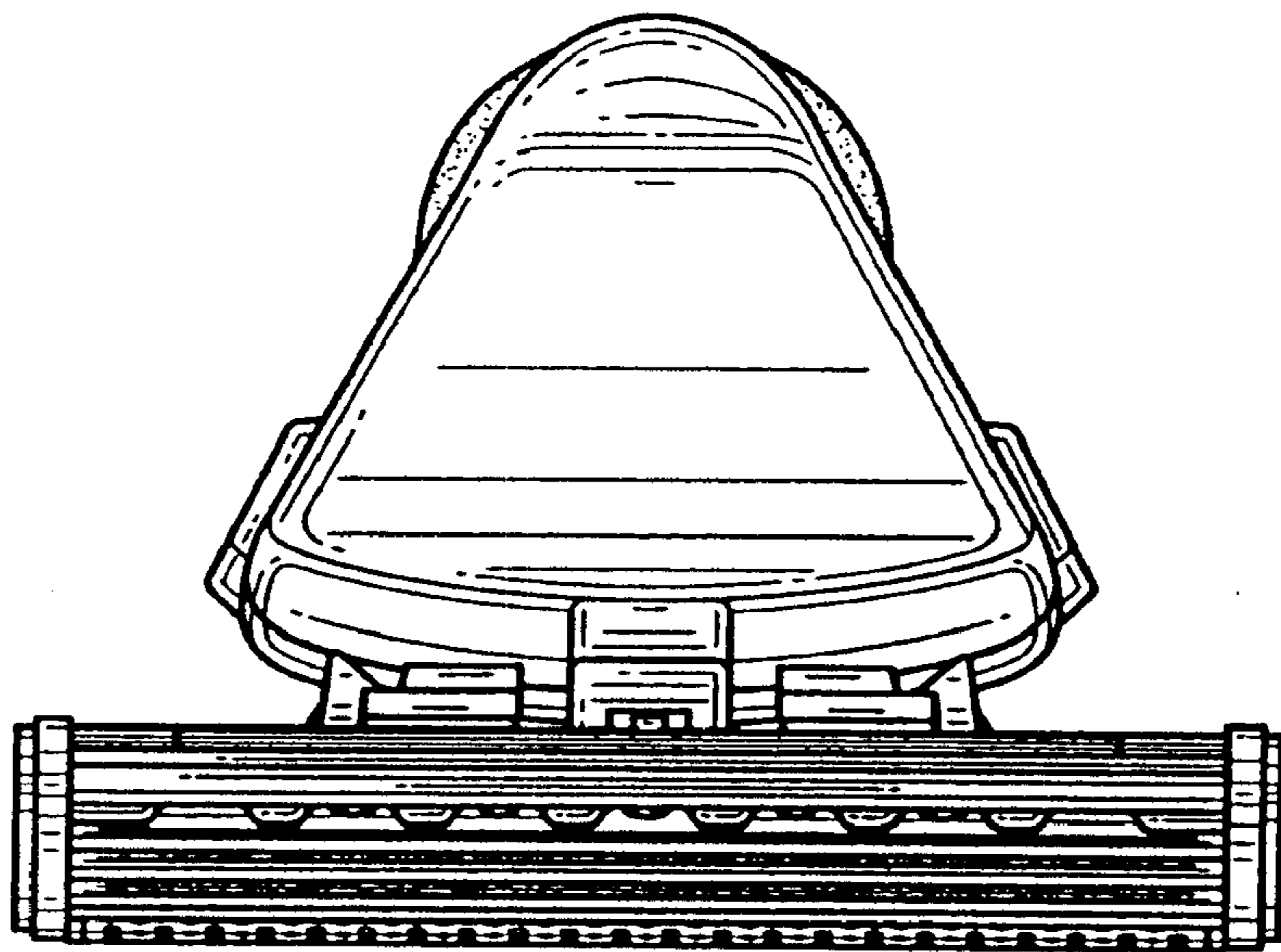


FIG. 5

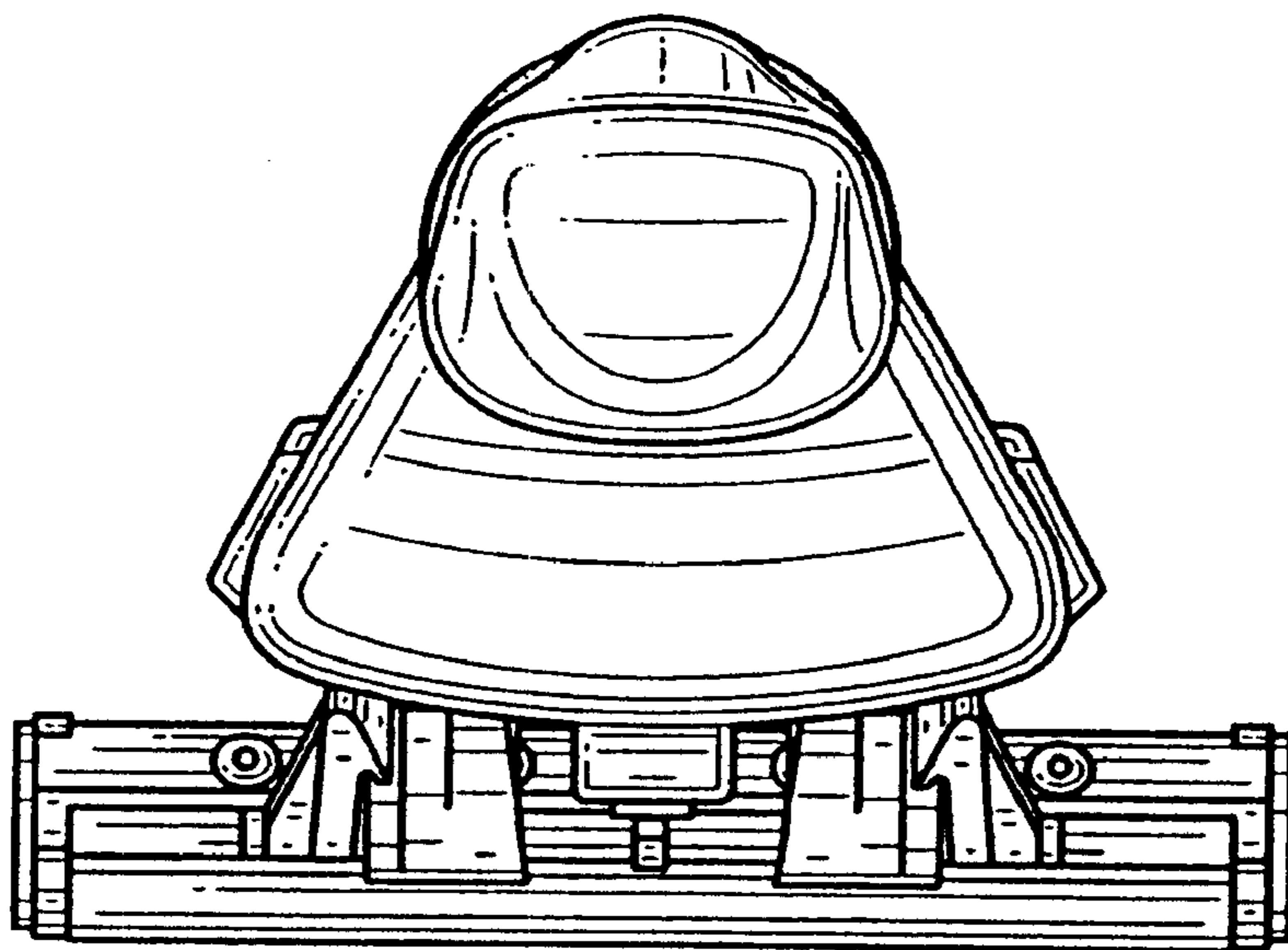


FIG. 6

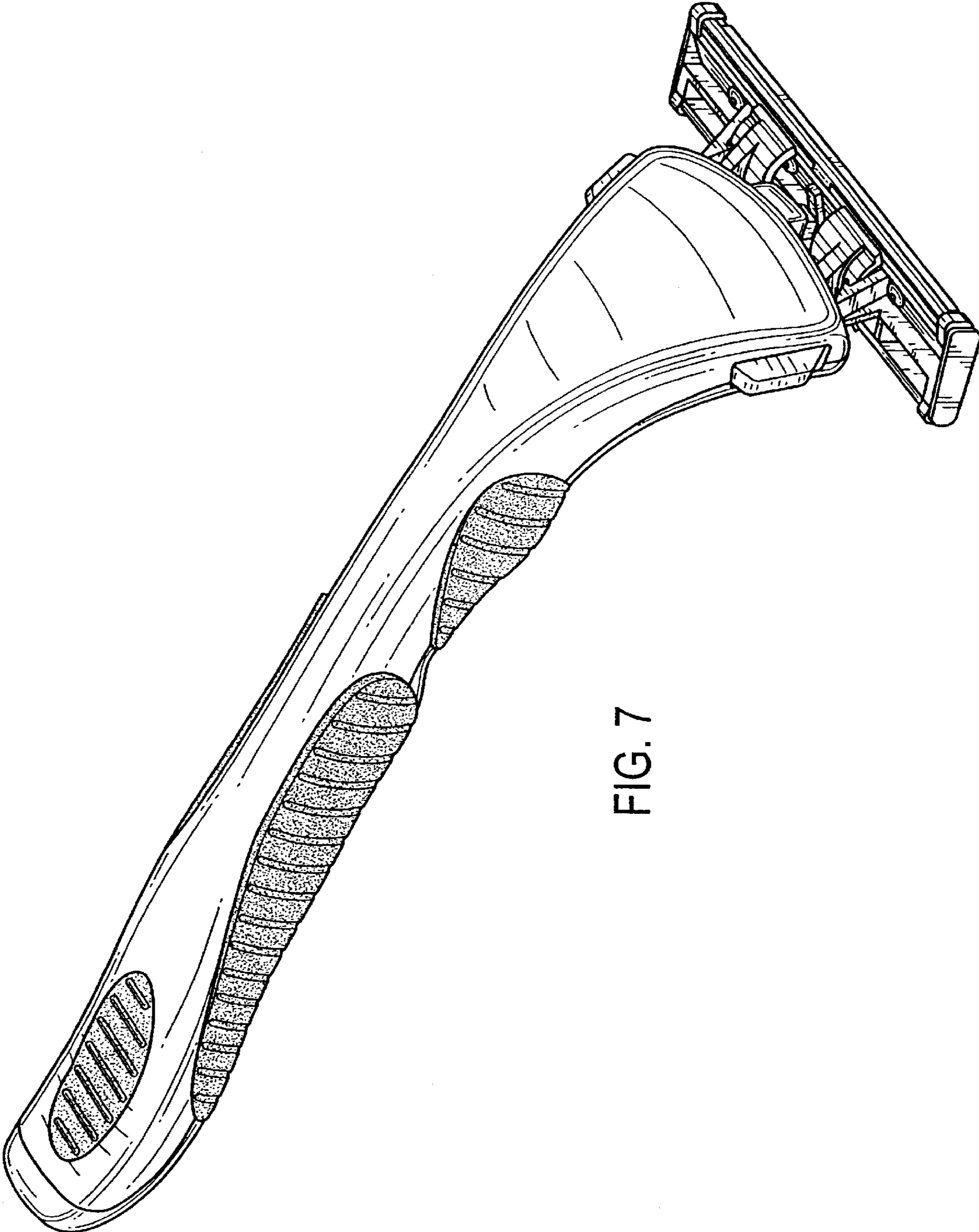


FIG. 7

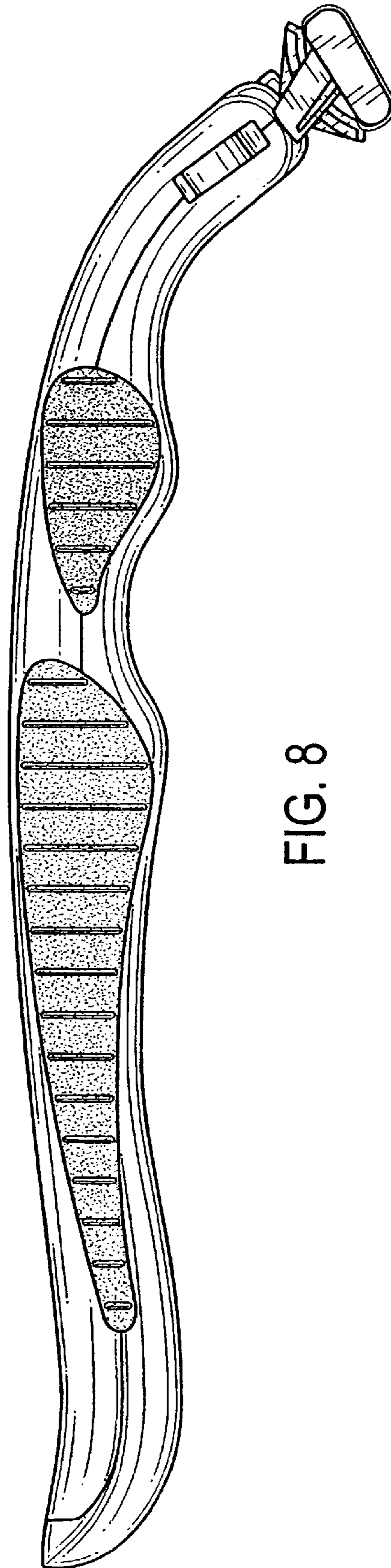


FIG. 8



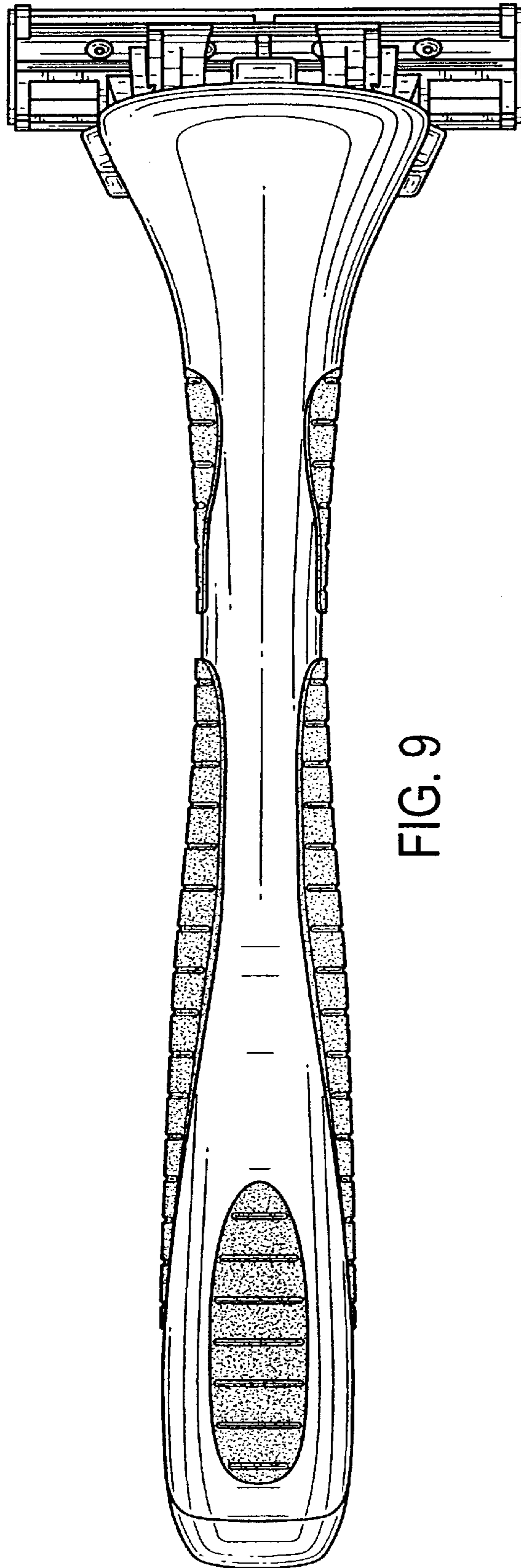


FIG. 9

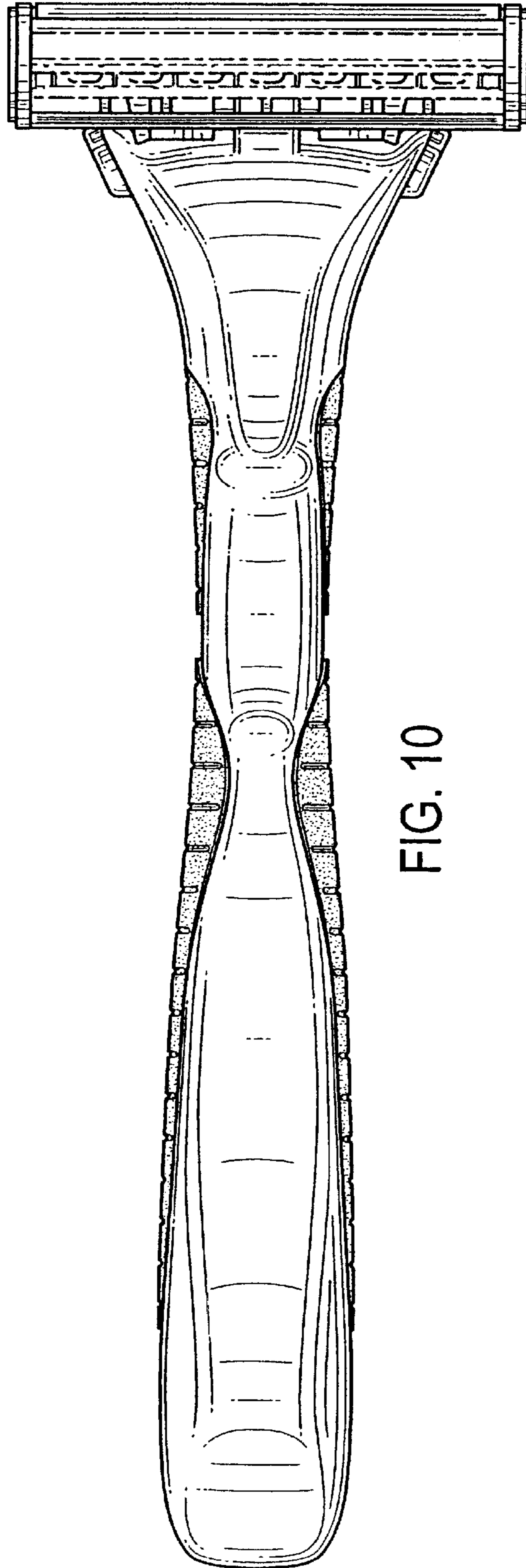


FIG. 10

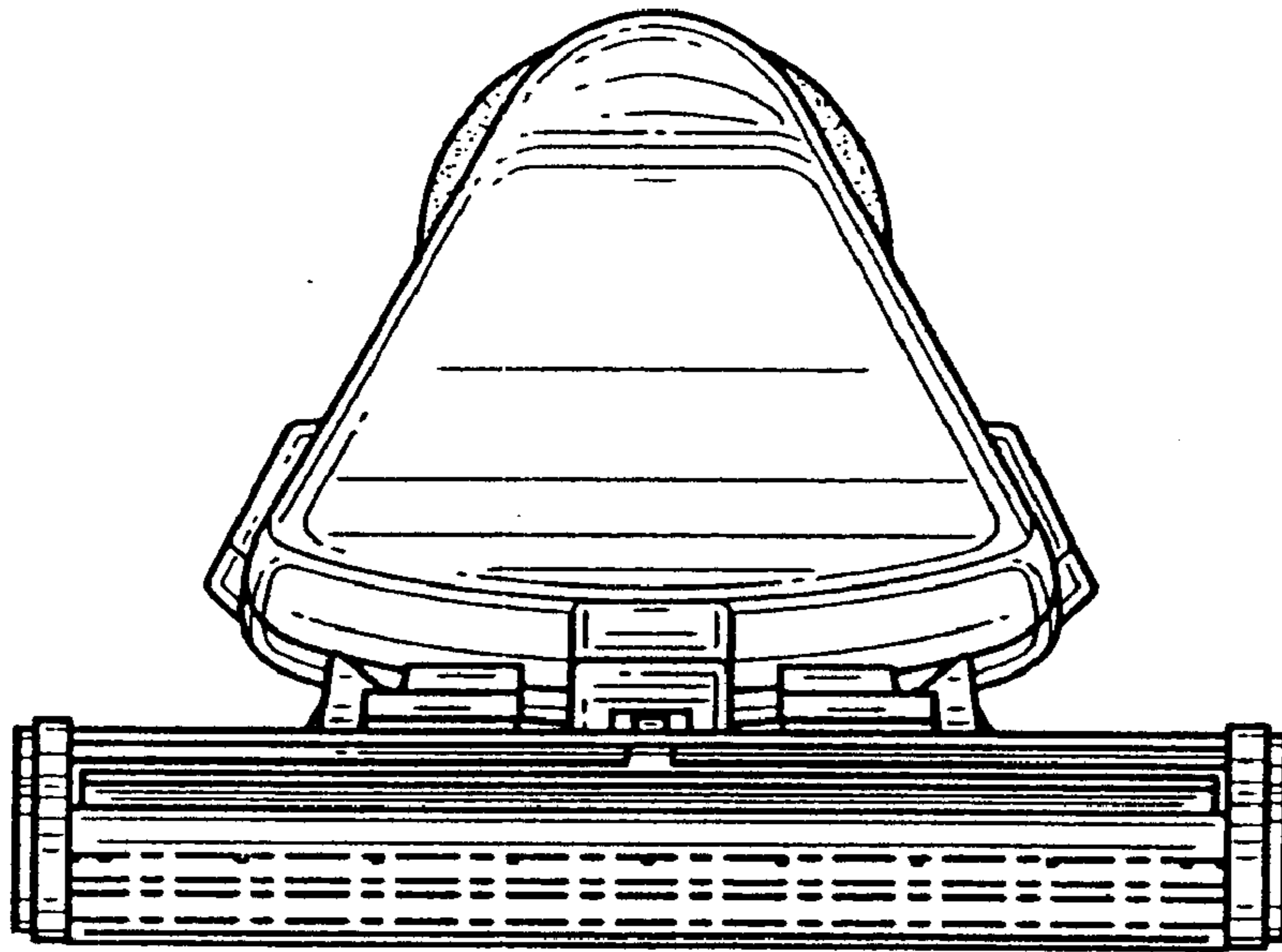


FIG. 11

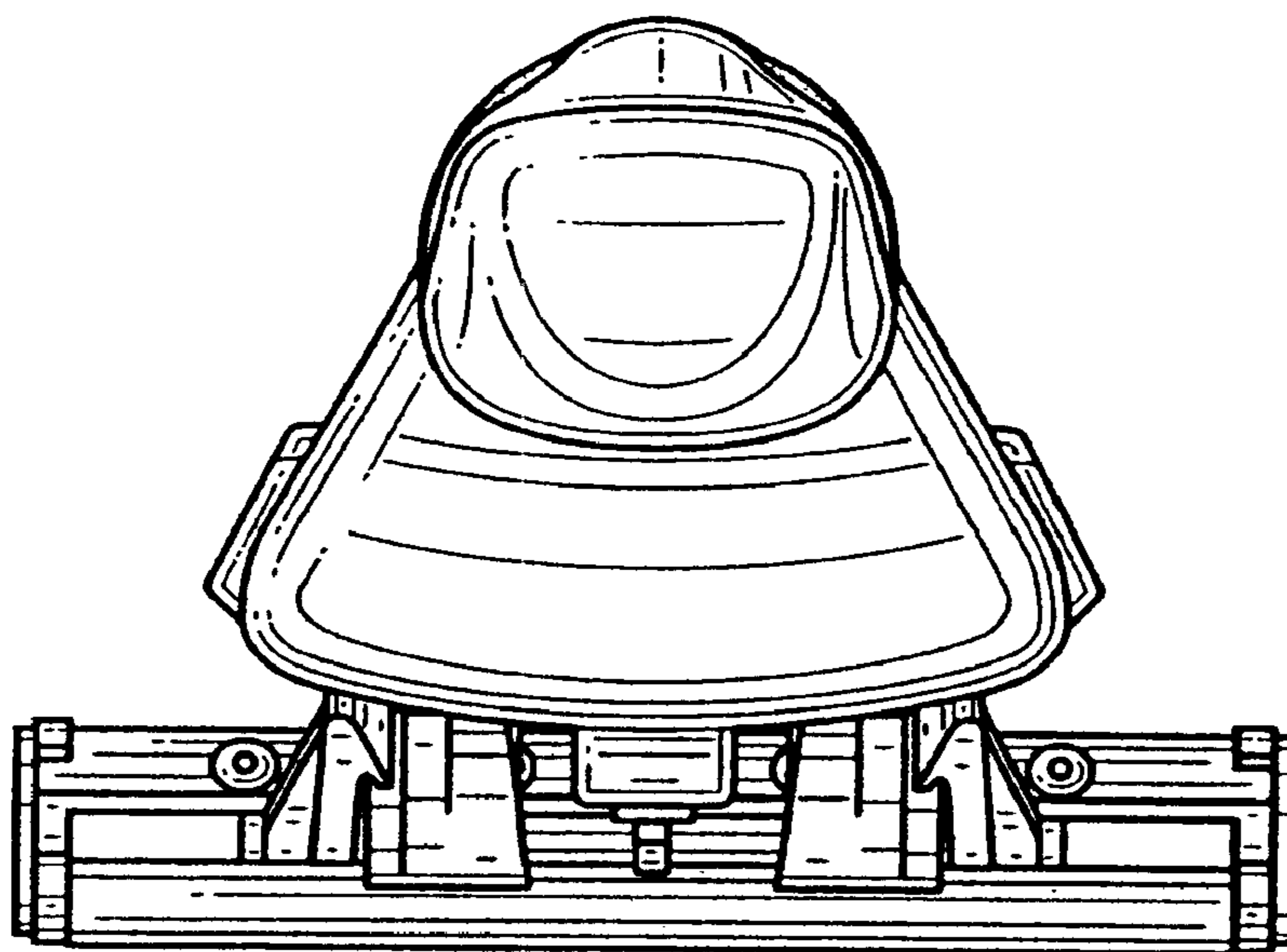


FIG. 12