



US00D499200S

(12) **United States Design Patent** (10) **Patent No.:** **US D499,200 S**
Parres (45) **Date of Patent:** **** Nov. 30, 2004**

(54) **LIGHTING FIXTURE SUPPORT**

(75) Inventor: **Miguel Parres**, Alta Loma, CA (US)

(73) Assignee: **Minka Lighting, Inc.**, Corona, CA (US)

(**) Term: **14 Years**

(21) Appl. No.: **29/193,887**

(22) Filed: **Nov. 13, 2003**

(51) **LOC (7) Cl.** **26-03**

(52) **U.S. Cl.** **D26/81; D26/86; D26/144**

(58) **Field of Search** **D26/72-92, 142-144; 362/147, 404-408**

(56) **References Cited**

U.S. PATENT DOCUMENTS

D434,516 S * 11/2000 Hsu D26/84
D437,961 S * 2/2001 Hsu D26/84

OTHER PUBLICATIONS

Framburg Catalog 2001; items 8803 and 8818 on p. 112.*
Lowe's Advertisement Kichler Paces Collection, Items E and H, Sep. 2003, Lowe's, Inc.
Single Wall or Ceiling Light in Brushed Steel, SKU #038397, Oct. 2003, www.lampsontheweb.com.
Chandelier 5 Light Incandescent, 2005NI, Oct. 2003, Kichler, Inc.
Kichler Catalog No. 102, pp. 132-133; 1883NCH, 1885NCH, 2785NCH, 2002, Kichler, Inc.
Kichler Catalog No. 104, pp. 114, 115, 274 and 278; 2020AB, 2771AB, 2019AB, 2520AB, 6322NI, 5227NCH, 2002, Kichler, Inc.
U.S. patent application Ser. No. 29/193,836, filed Nov. 13, 2003, Parres.
U.S. patent application Ser. No. 29/193,881, filed Nov. 13, 2003, Parres.
U.S. patent application Ser. No. 29/193,829, filed Nov. 13, 2003, Parres.

U.S. patent application Ser. No. 29/193,830, filed Nov. 13, 2003, Parres.

U.S. patent application Ser. No. 29/193,883, filed Nov. 13, 2003, Parres.

Minke Aire Two Thousand Two; pp. 129-130, Apr. 22, 2002, Minka Lighting, Inc. USA.

Minka Aire Two Thousand Three; pp. 224-225, 303, 376, 385, Jan. 2003, Minka Lighting, Inc. USA.

Home Depot Advertisement, Hampton Bay Collection, Items E and G, Oct. 2003, The Home Depot, Inc. USA.

* cited by examiner

Primary Examiner—Clare E Heflin

(74) *Attorney, Agent, or Firm*—Jenkins & Gilchrist, P.C.

(57) **CLAIM**

The ornamental design for the lighting fixture support, as shown and described.

DESCRIPTION

FIG. 1 is a perspective view from above of a lighting fixture support in accordance with my design, shown in its environment;

FIG. 2 is a perspective view from below of the lighting fixture support in accordance with my design, shown in its environment;

FIG. 3 is a front elevation view of the lighting fixture support in accordance with my design, shown in its environment;

FIG. 4 is a side elevation view of the lighting fixture support in accordance with my design, shown in its environment;

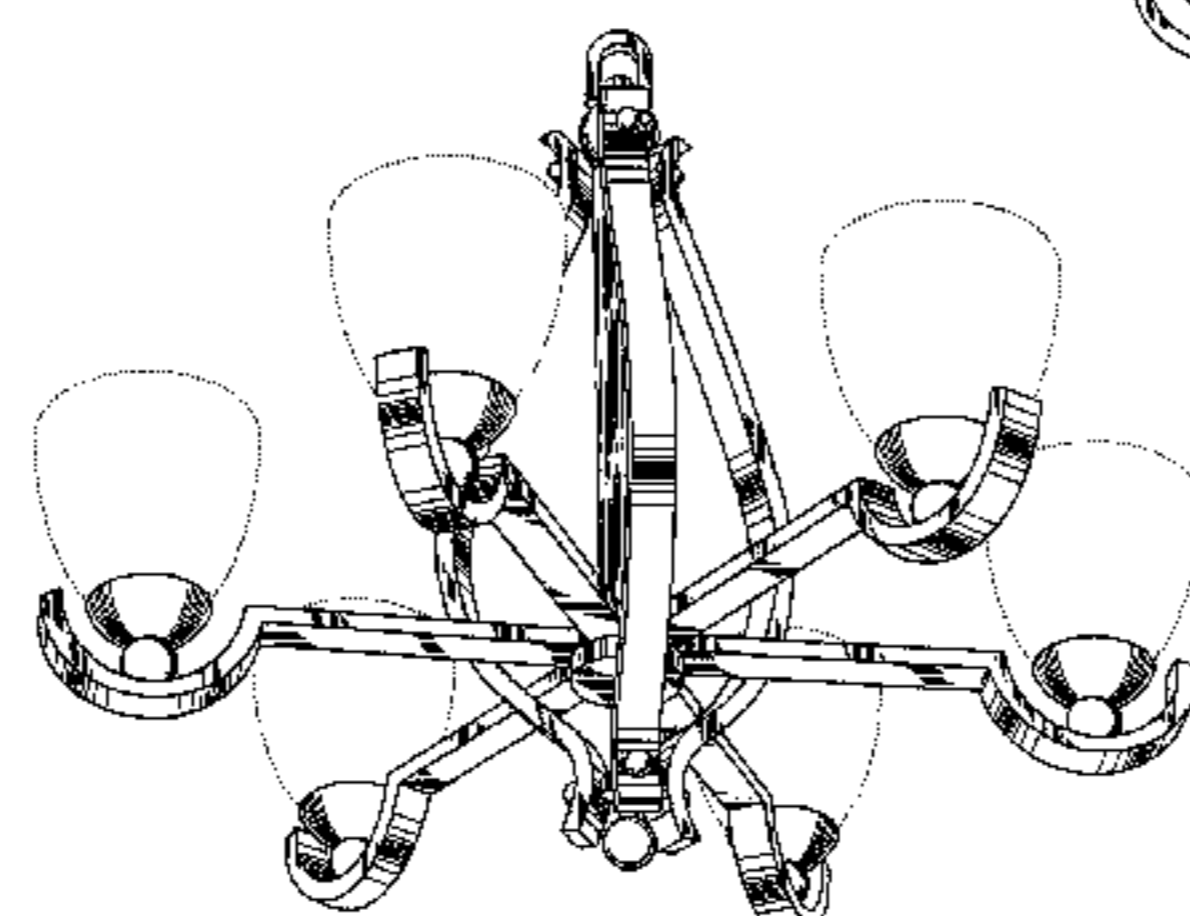
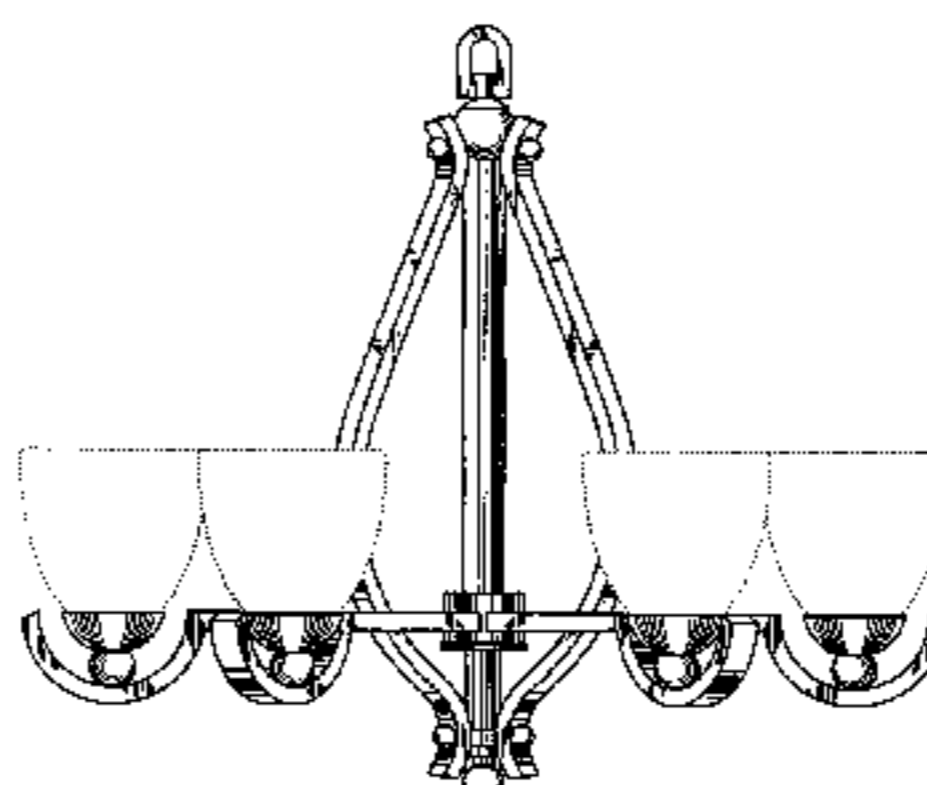
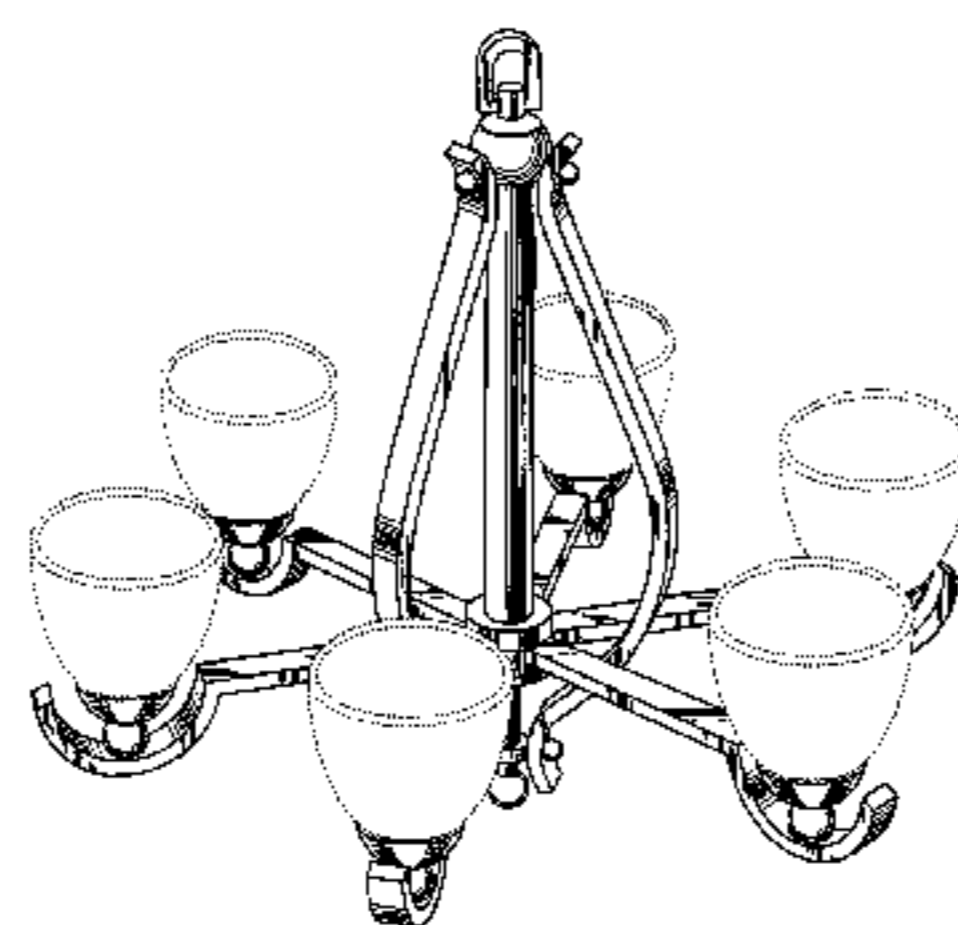
FIG. 5 is a top plan view of the lighting fixture support in accordance with my design, shown in its environment; and,

FIG. 6 is a bottom plan view of the lighting fixture support in accordance with my design, shown in its environment.

The broken lines showing environmental structure are for illustrative purposes and form no part of the claimed design.

The front and side elevation views are symmetrical.

1 Claim, 6 Drawing Sheets



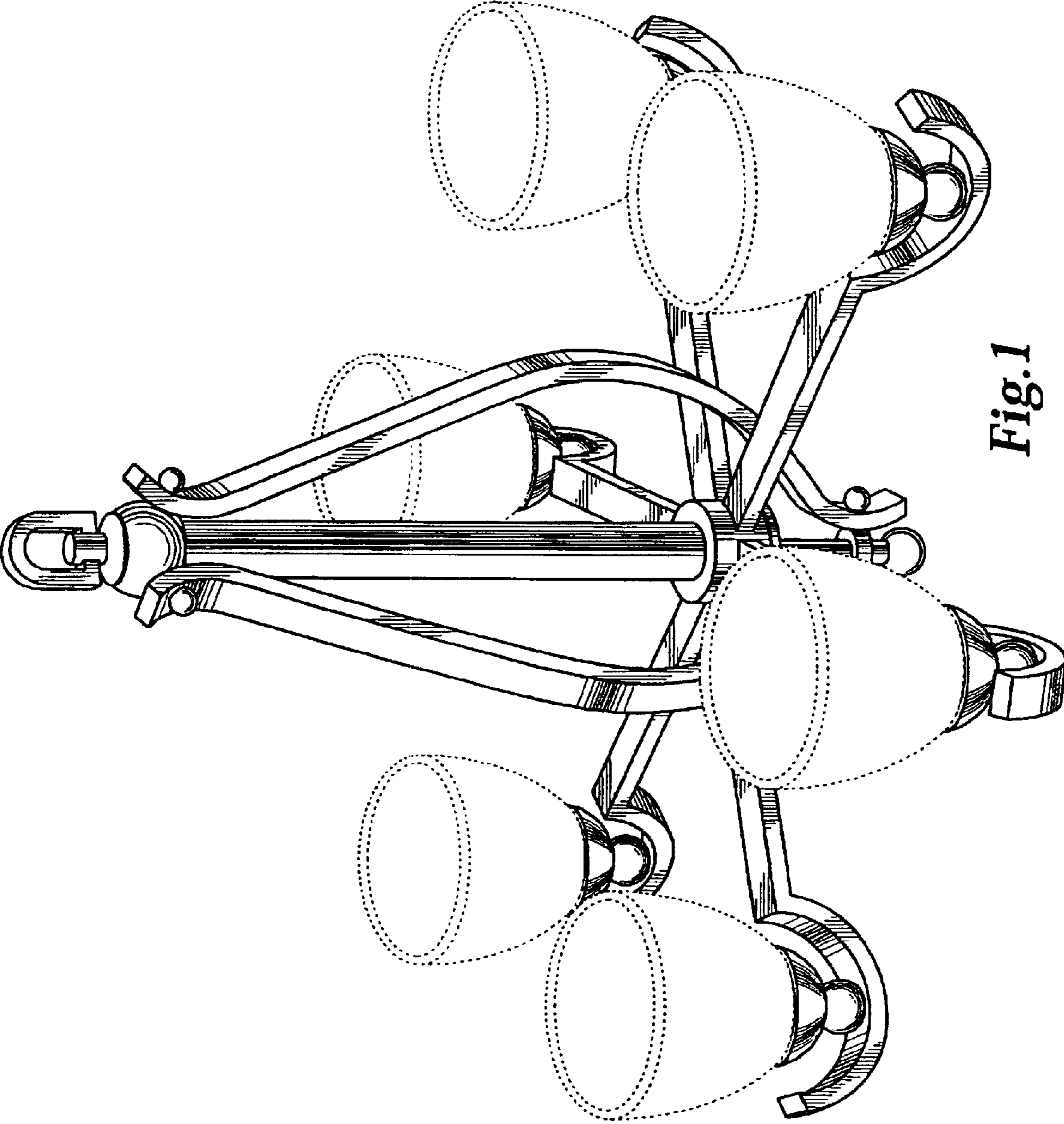


Fig. 1

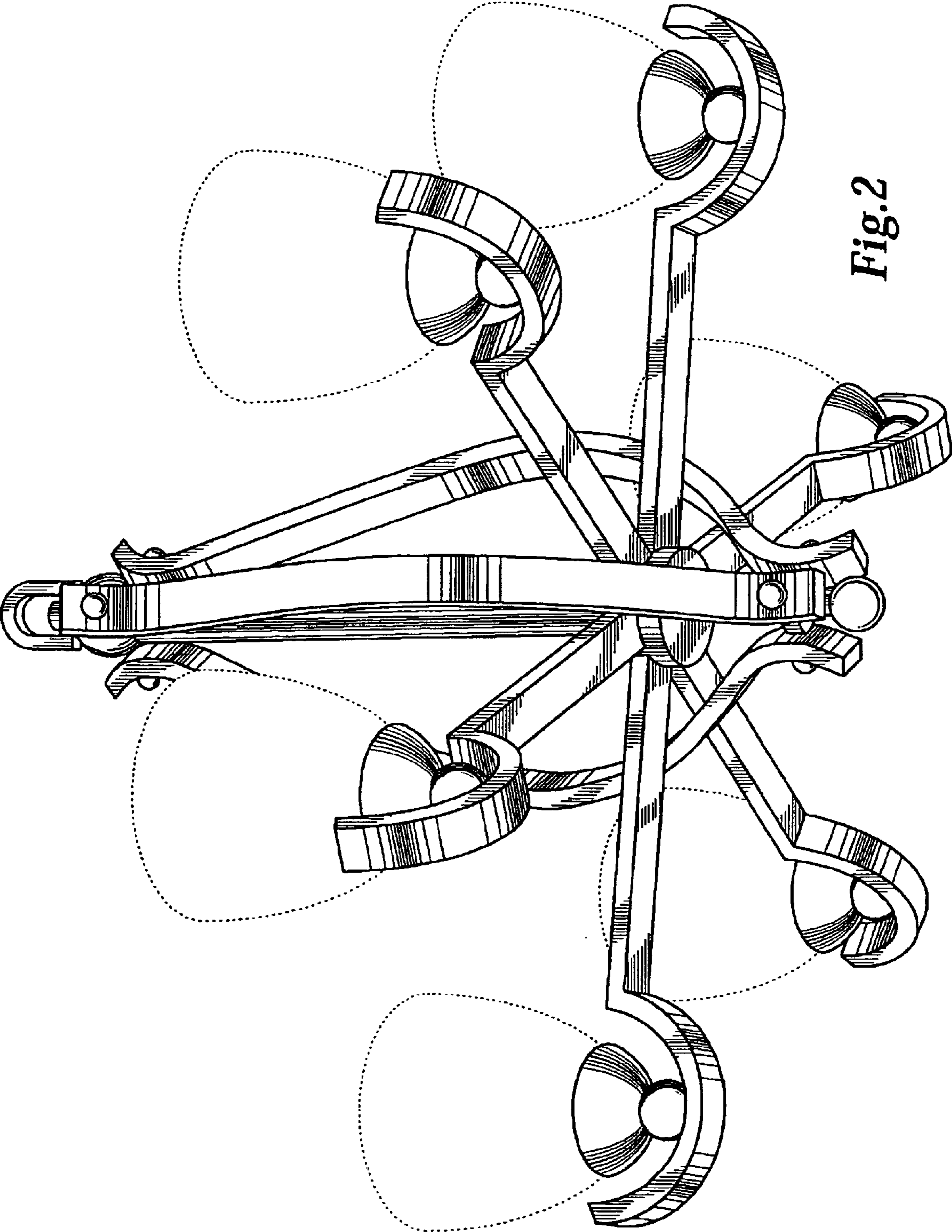


Fig. 2

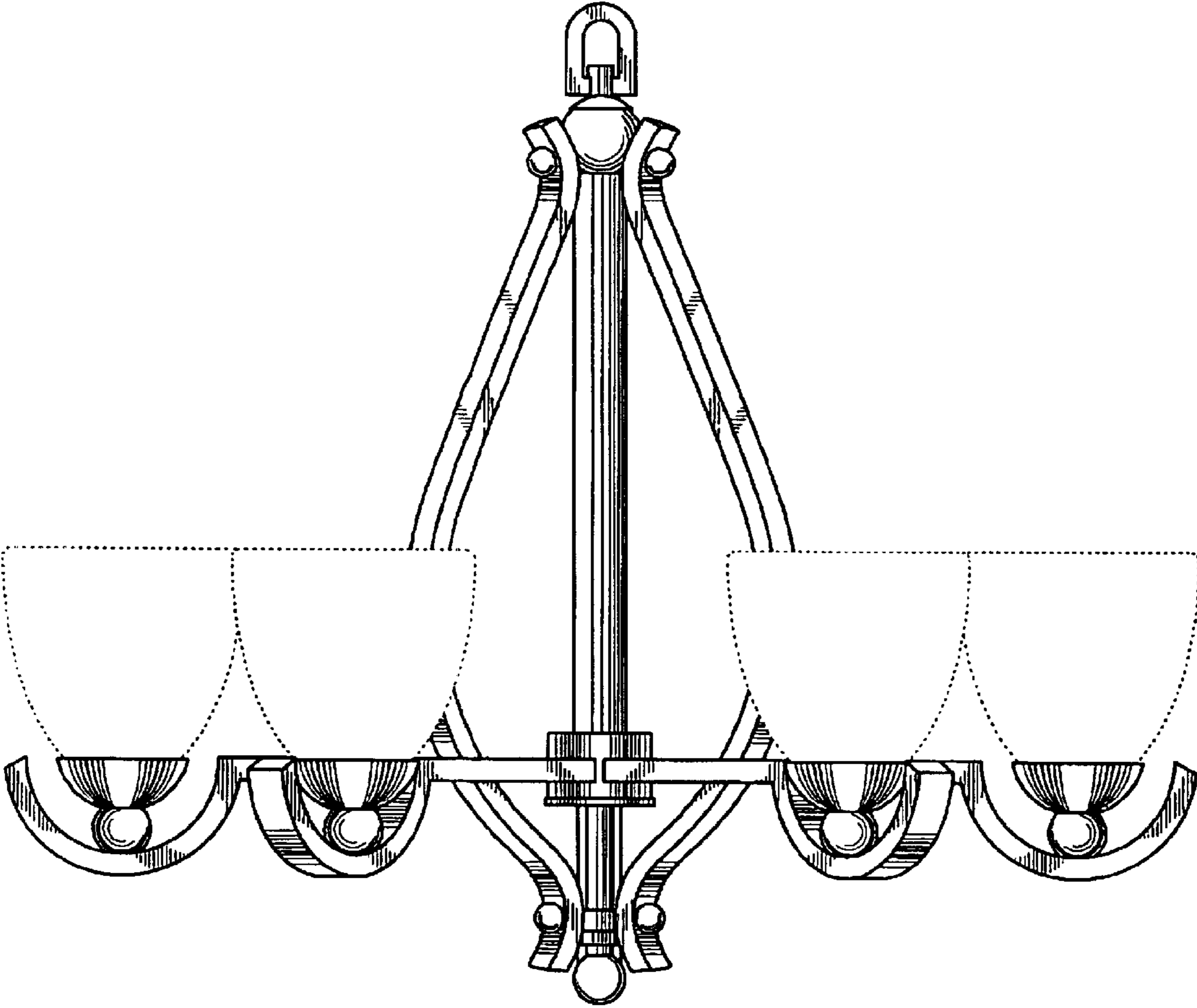


Fig.3

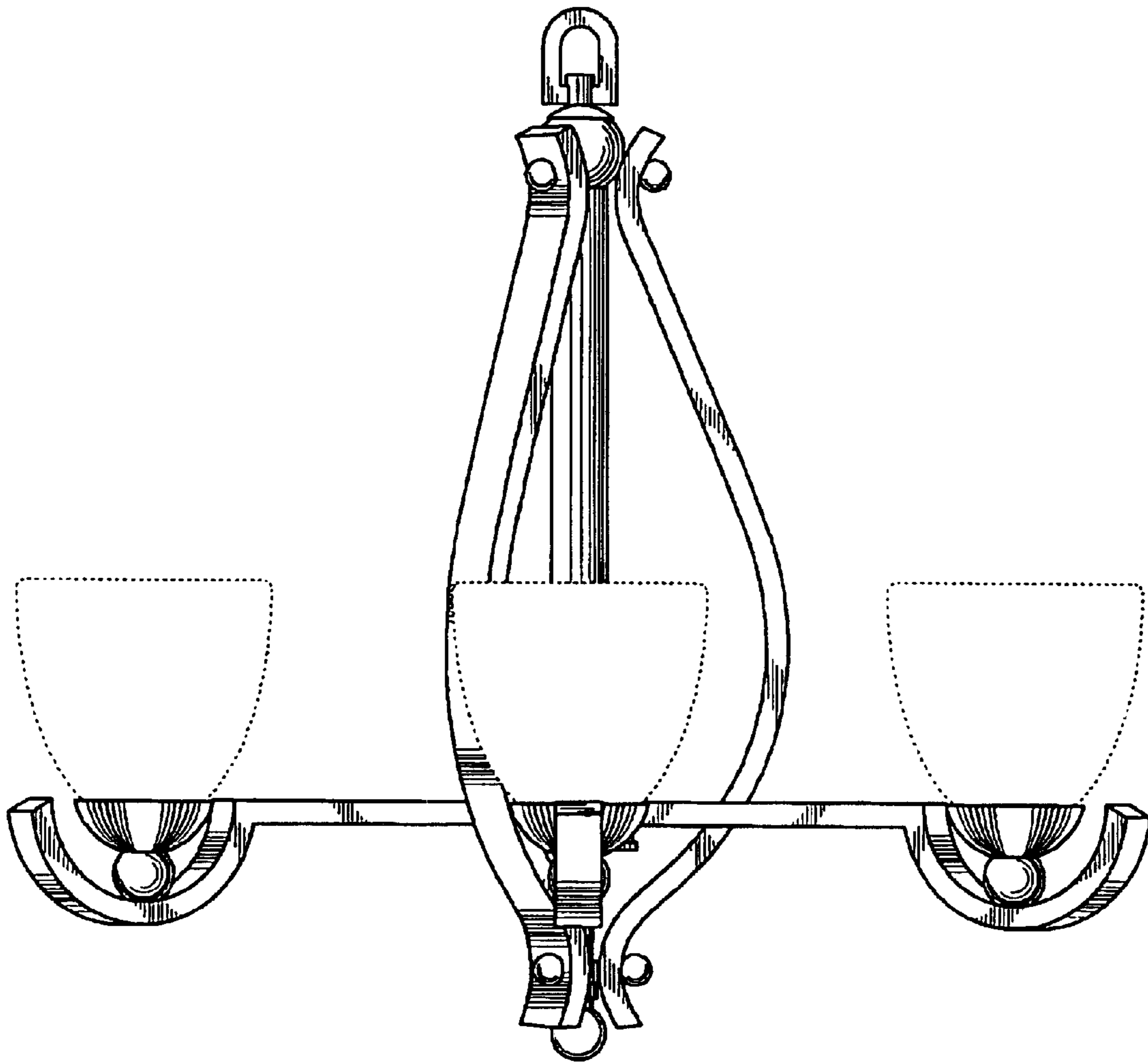


Fig.4

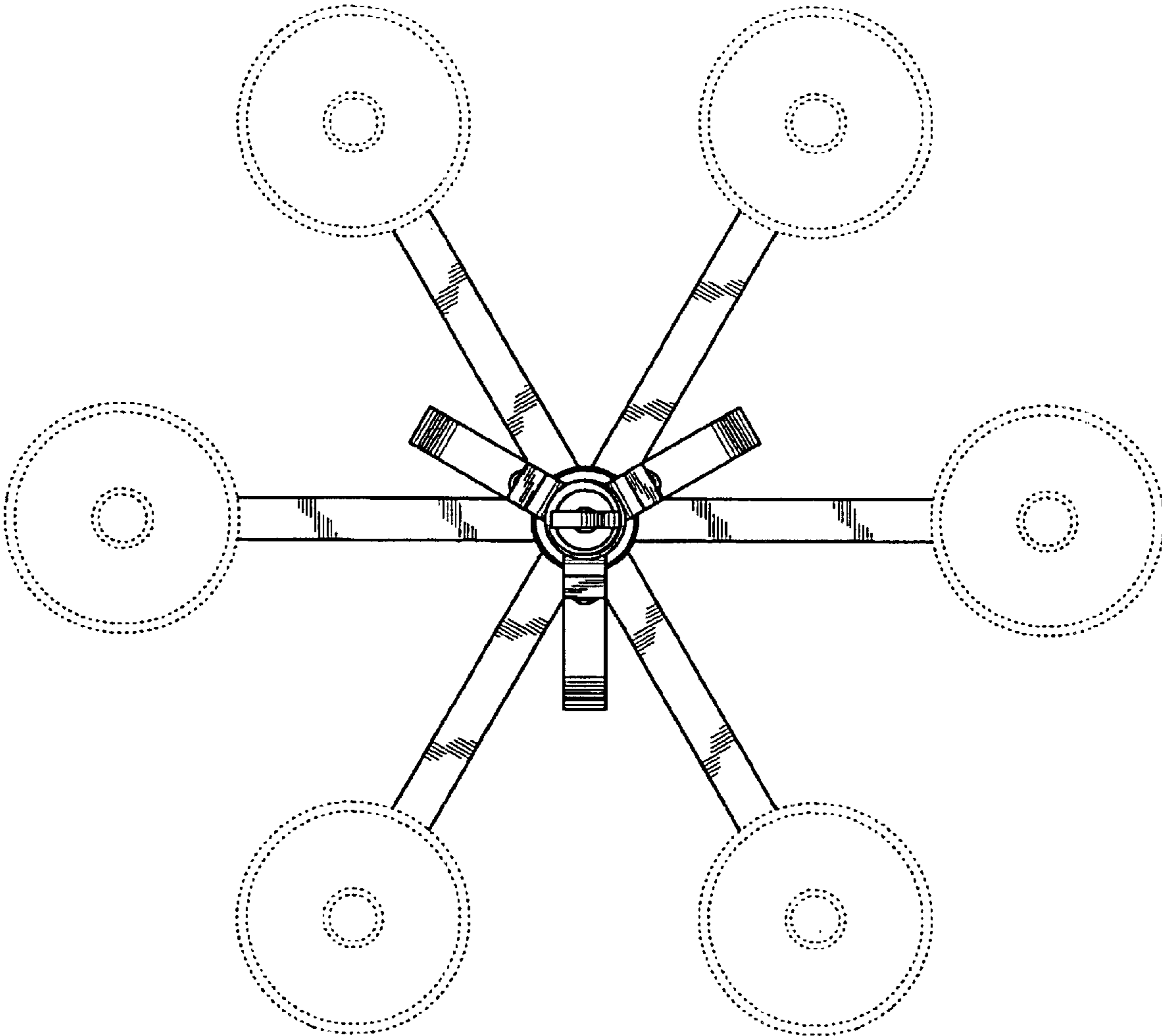


Fig.5

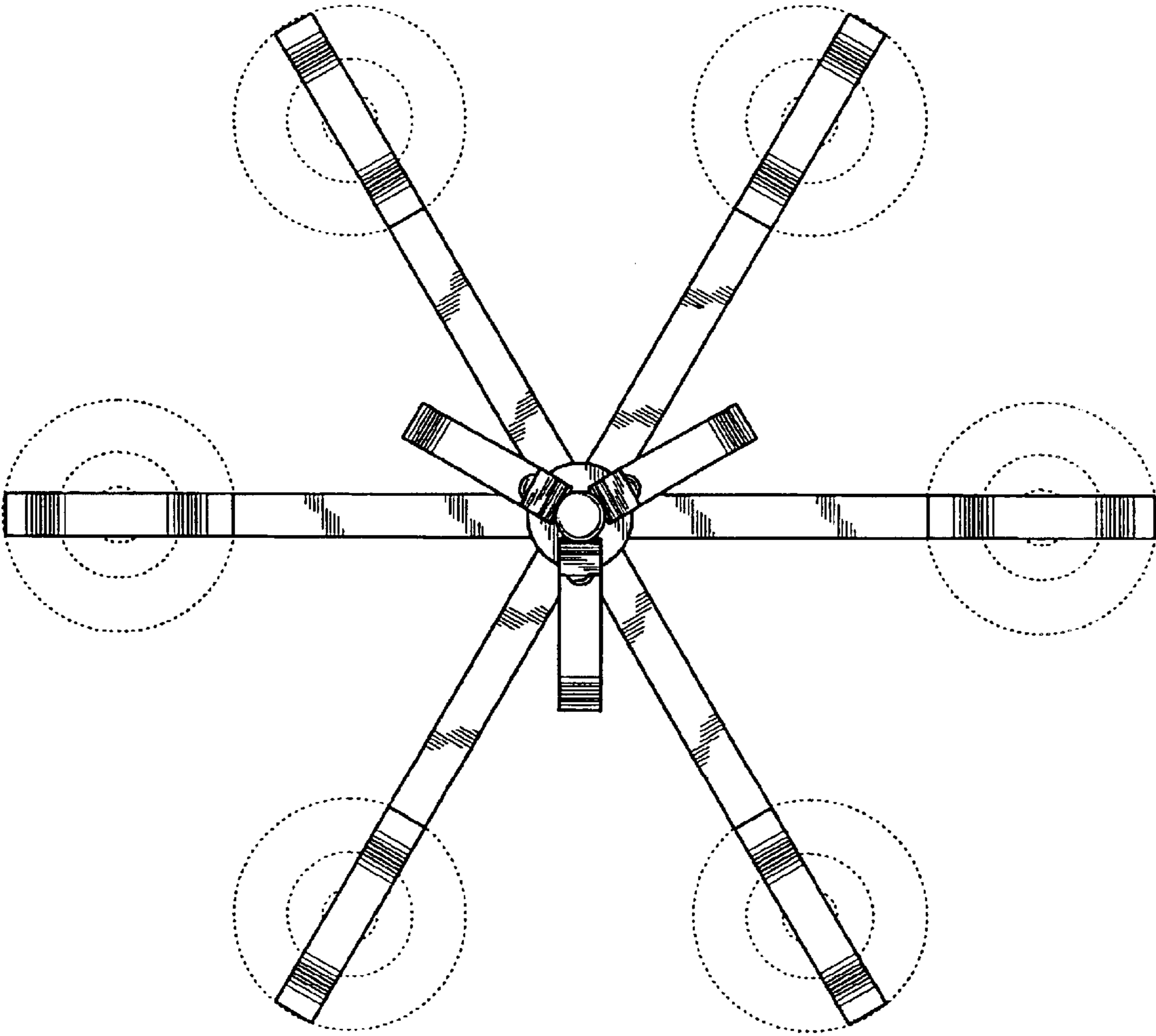


Fig.6