

US00D499199S

(12) **United States Design Patent**
Cooper

(10) **Patent No.: US D499,199 S**

(45) **Date of Patent: ** Nov. 30, 2004**

(54) **CAP MOUNTED HEADLIGHT WITH BATTERY PACK**

(75) **Inventor: Ira Jeffrey Cooper, Lexington, KY (US)**

(73) **Assignee: Q-Lighting, Inc., Lexington, KY (US)**

(**) **Term: 14 Years**

(21) **Appl. No.: 29/202,452**

(22) **Filed: Mar. 31, 2004**

(51) **LOC (7) Cl. 26-02**

(52) **U.S. Cl. D26/39**

(58) **Field of Search D26/37-50; 362/157, 362/158, 171-174, 183-208**

(56) **References Cited**

U.S. PATENT DOCUMENTS

4,991,068 A	2/1991	Mickey	
D368,316 S	* 3/1996	Jansson D26/39
5,667,292 A	9/1997	Sabalvaro, Jr.	
6,027,226 A	2/2000	Shiau	
6,200,001 B1	3/2001	Tin Shun Victor	

D447,586 S	* 9/2001	Shing D26/39
6,290,368 B1	9/2001	Lehrer	
D464,750 S	10/2002	Cooper	
D482,472 S	* 11/2003	Shiu D26/39

* cited by examiner

Primary Examiner—Marcus A. Jackson

(74) *Attorney, Agent, or Firm*—King & Schickli, PLLC

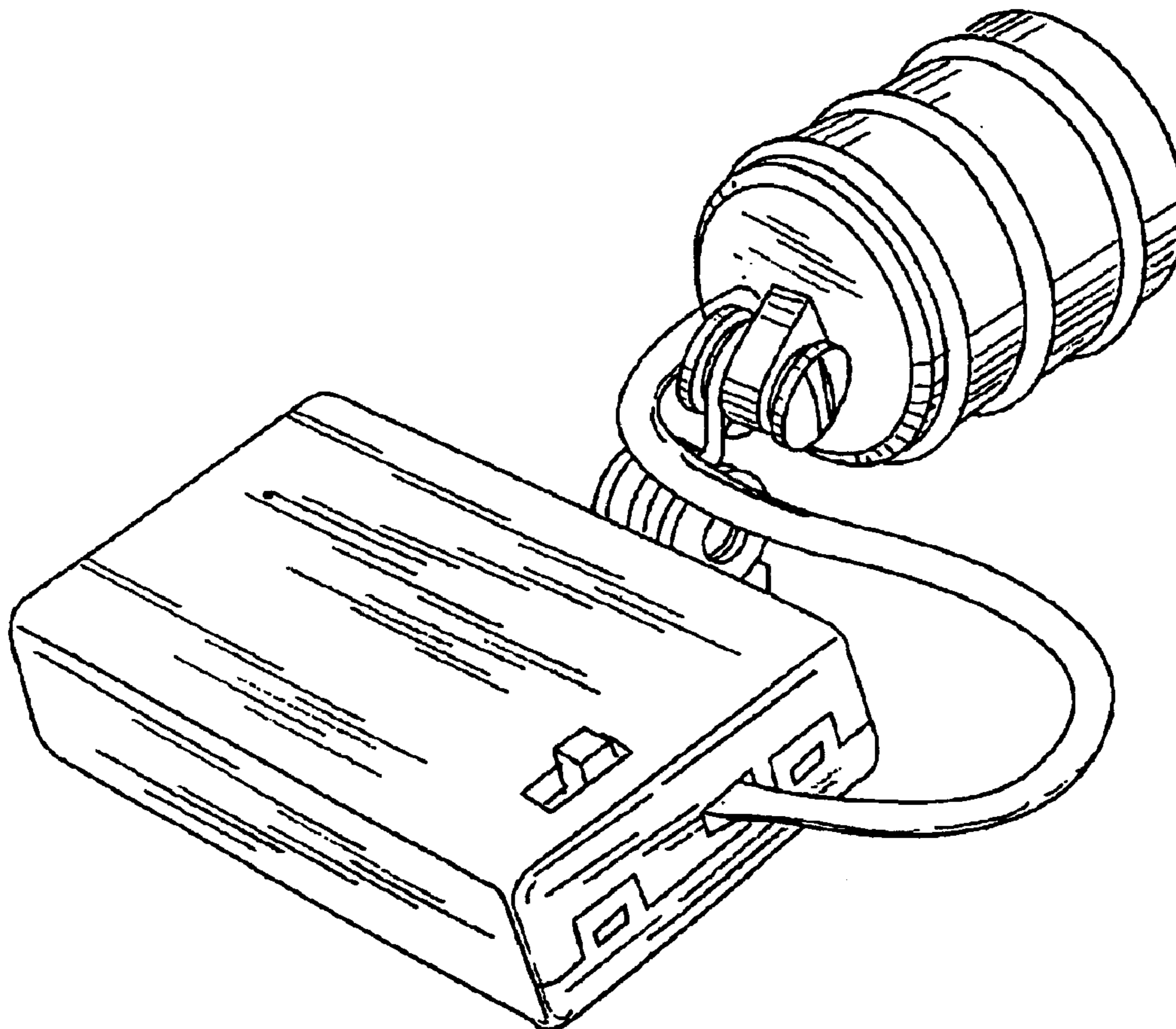
(57) **CLAIM**

The ornamental design of a cap mounted headlight with battery pack, as shown and described.

DESCRIPTION

FIG. 1 is a perspective view of the cap mounted headlight with battery pack of the present invention;
 FIG. 2 is a front view thereof;
 FIG. 3 is a side view thereof, the opposite side view being substantially the same as a mirror image thereof;
 FIG. 4 is a rear view thereof;
 FIG. 5 is a top view thereof, with the wire broken away in the center to indicate indeterminate length; and,
 FIG. 6 is a bottom view thereof.

1 Claim, 3 Drawing Sheets



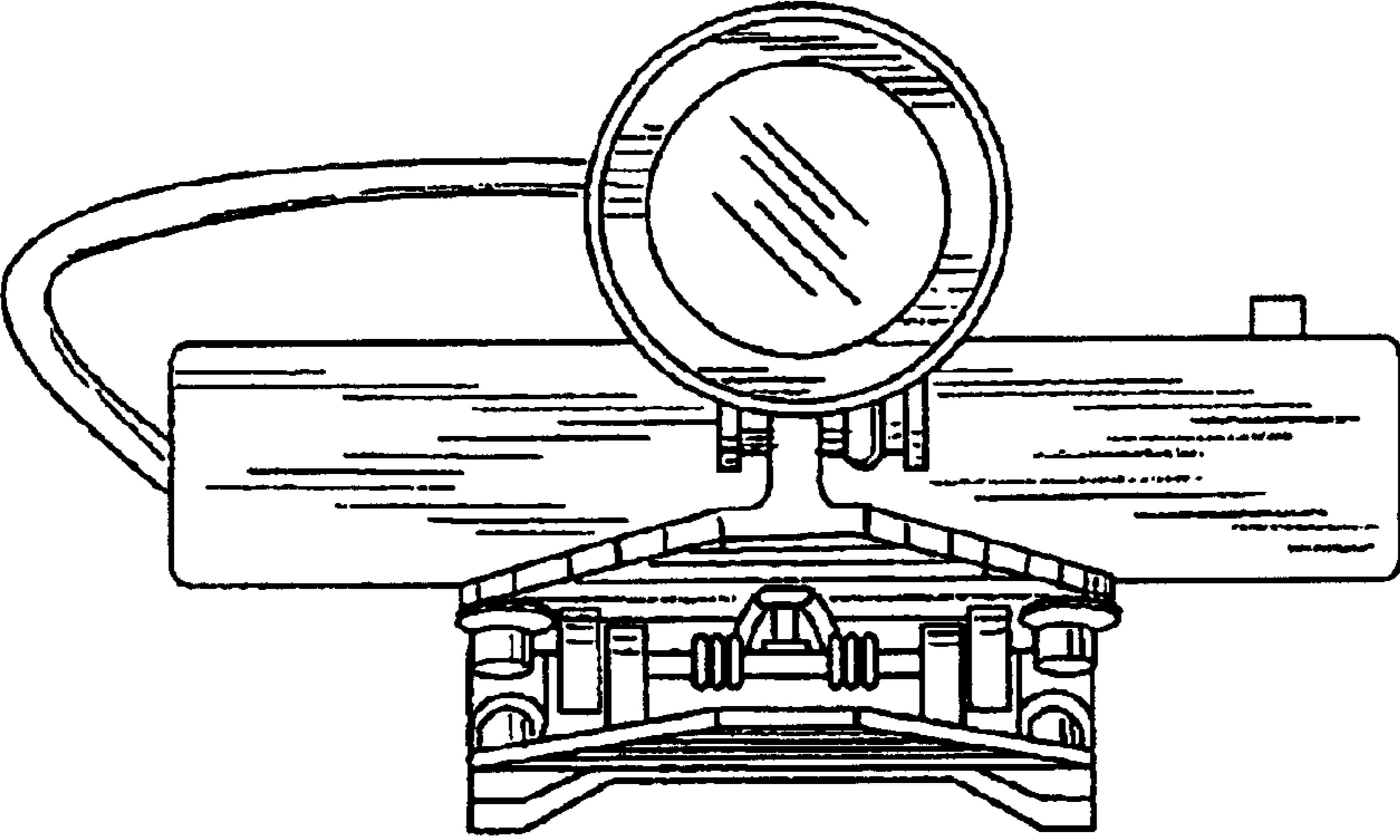
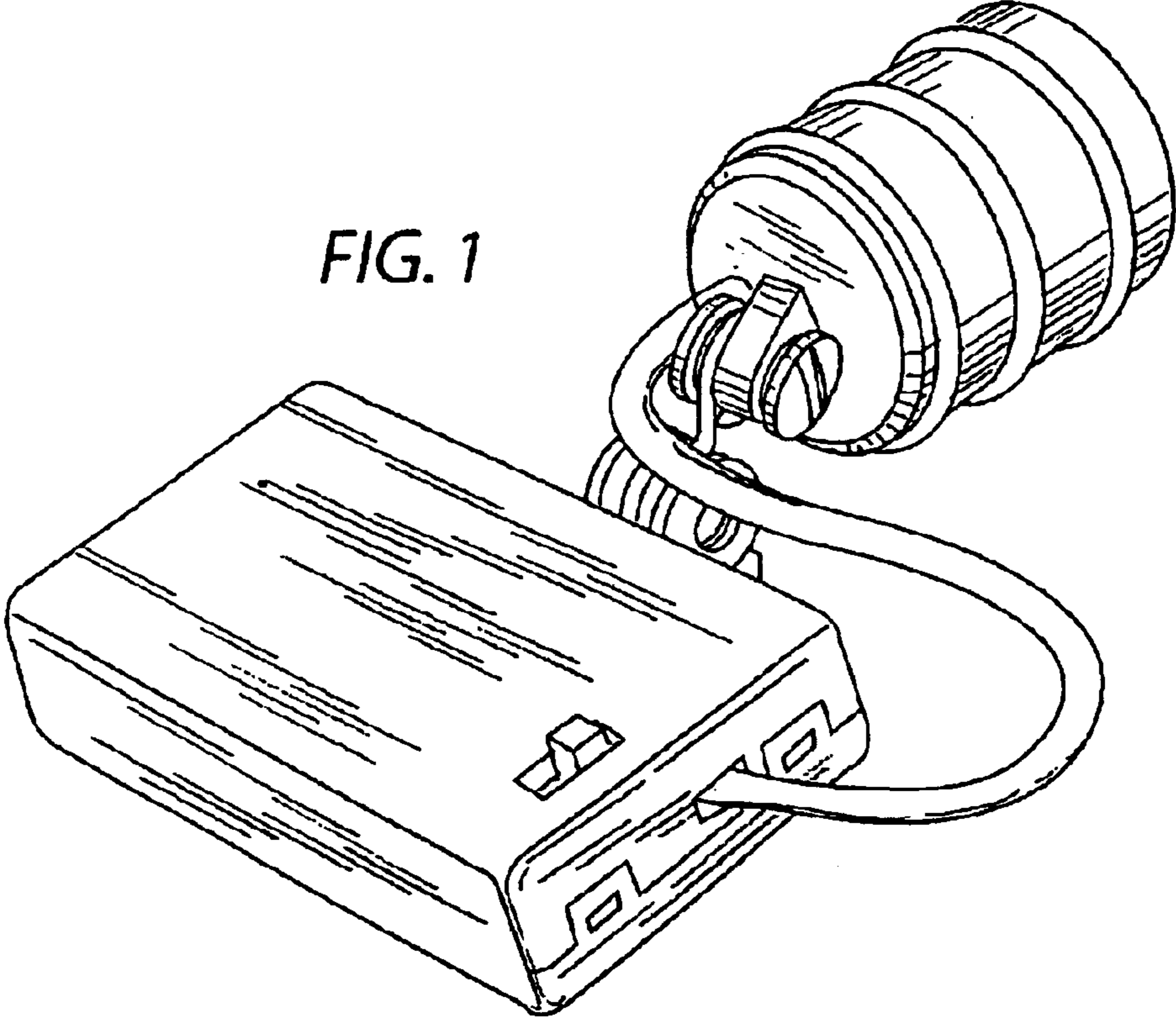


FIG. 2

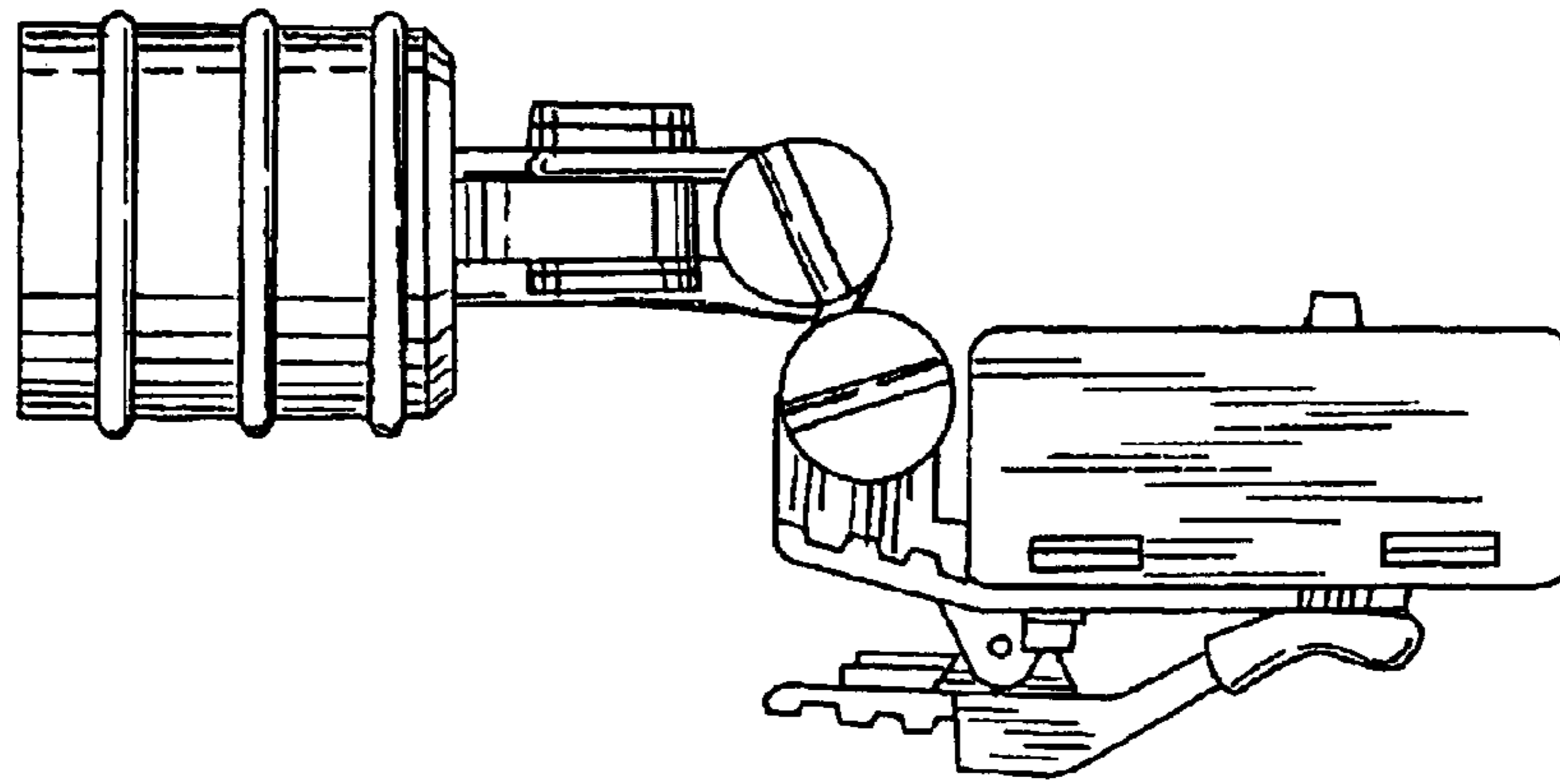


FIG. 3

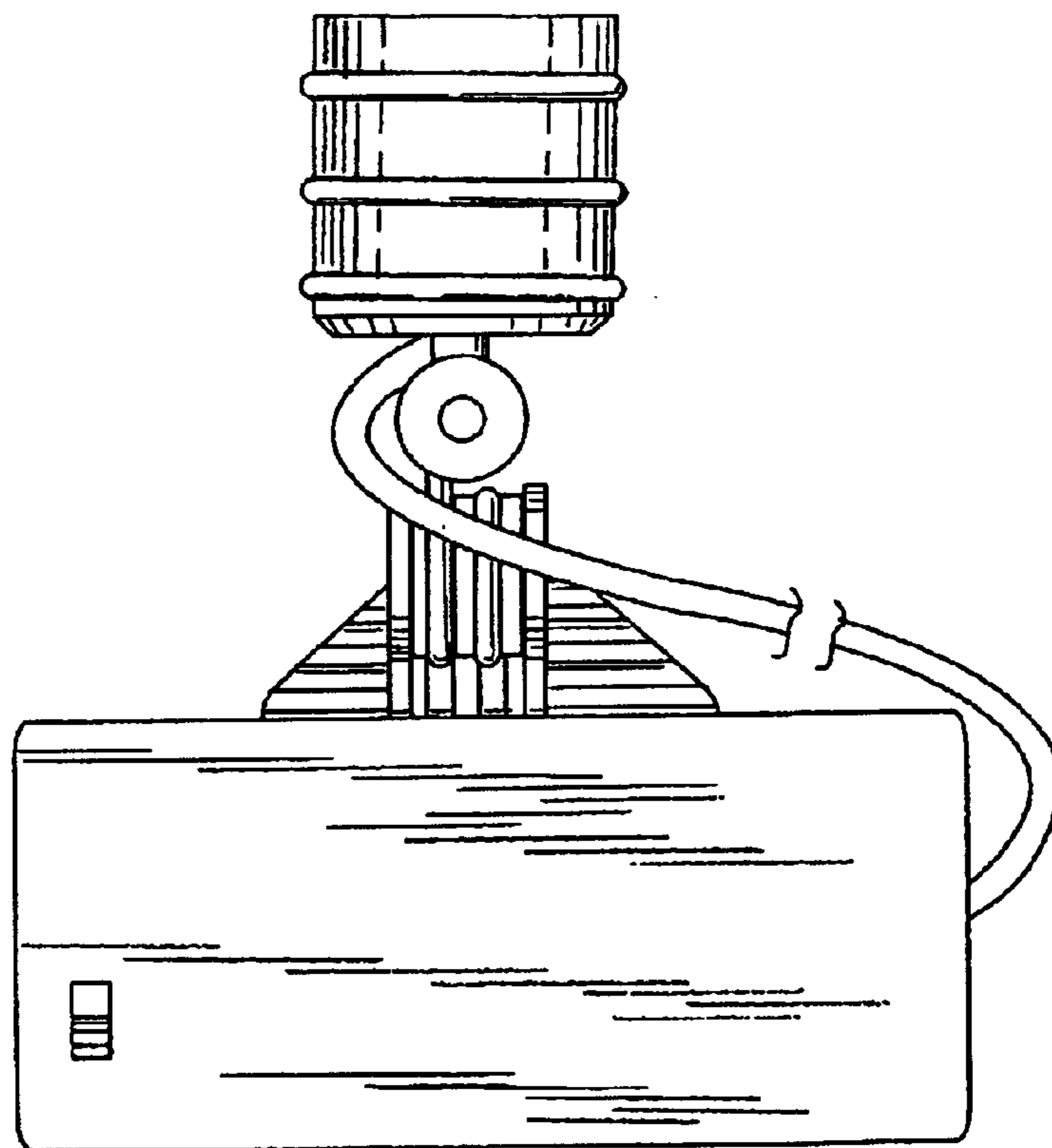


FIG. 5

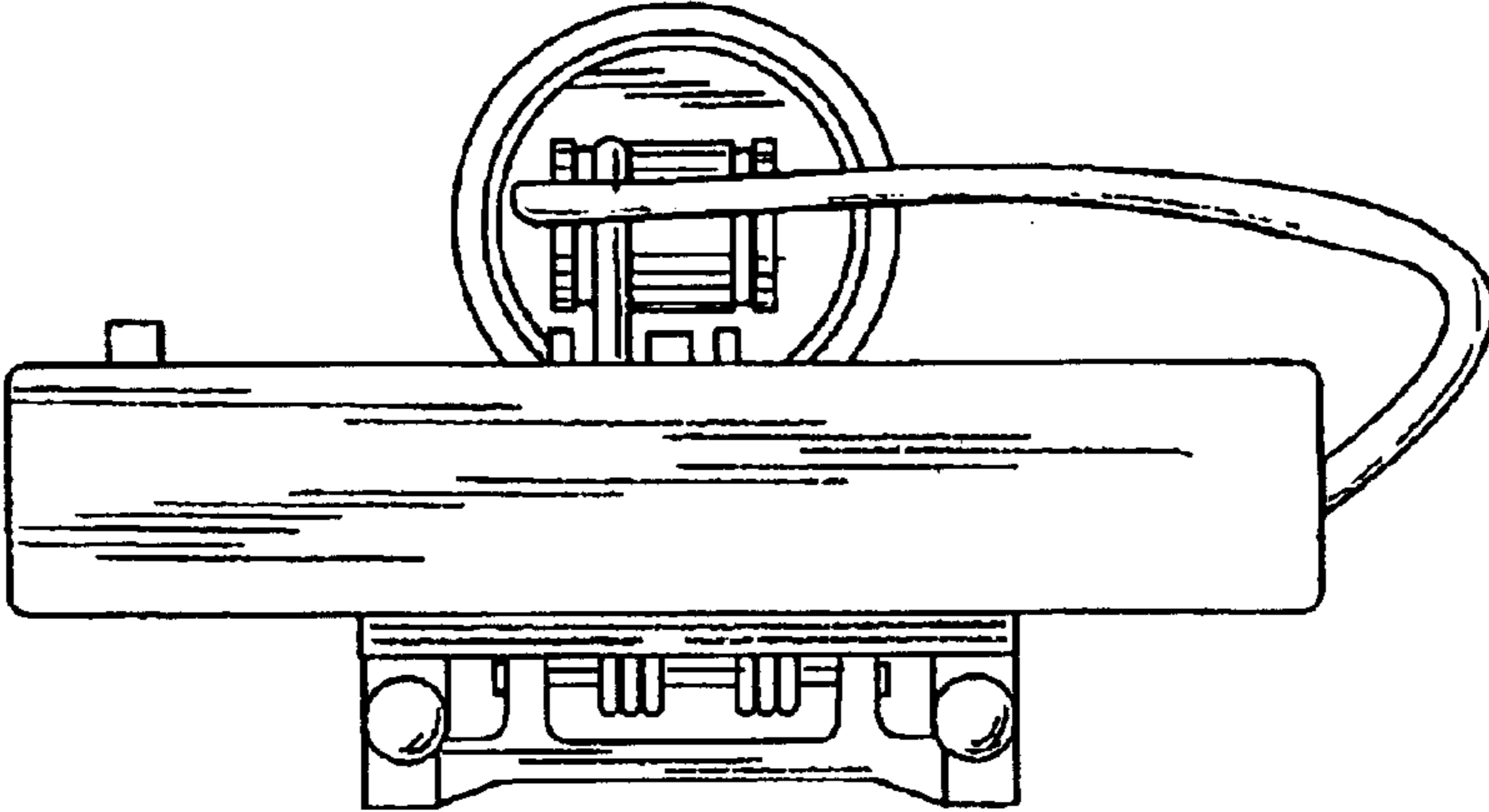


FIG. 4

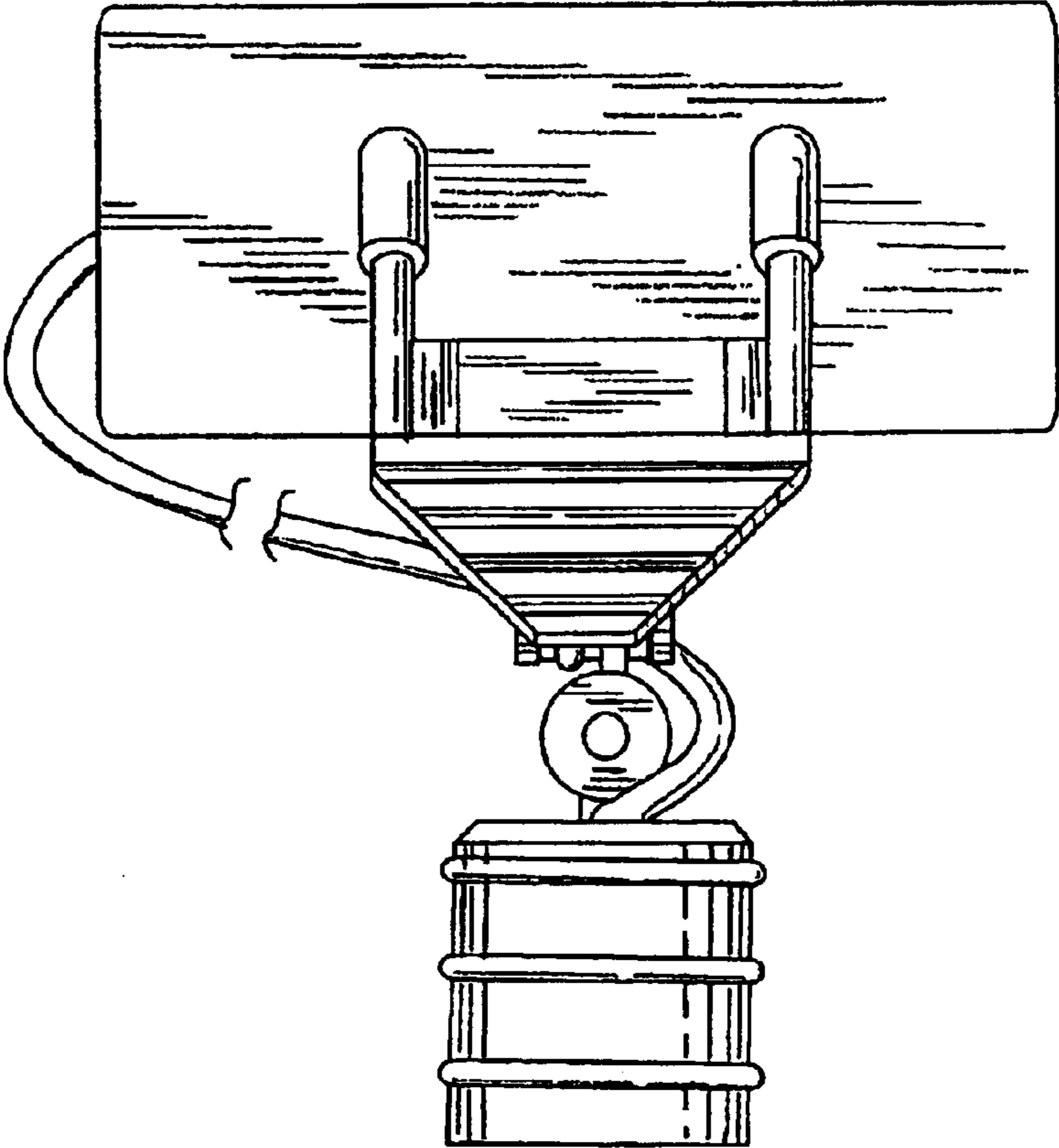


FIG. 6