



US00D499197S

(12) **United States Design Patent**
Campagna

(10) **Patent No.:** **US D499,197 S**

(45) **Date of Patent:** **** Nov. 30, 2004**

(54) **LIGHT FIXTURE FOR A VEHICLE**

(75) **Inventor:** **Cary J. Campagna**, Portage, MI (US)

(73) **Assignee:** **Command Electronics, Inc.**,
Schoolcraft, MI (US)

(**) **Term:** **14 Years**

(21) **Appl. No.:** **29/202,802**

(22) **Filed:** **Apr. 5, 2004**

(51) **LOC (7) Cl.** **26-06**

(52) **U.S. Cl.** **D26/28; D10/114**

(58) **Field of Search** **D26/28-36; D10/114;**
362/61, 80, 80.1, 83, 83.4, 267, 269, 275,
330-340

(56) **References Cited**

U.S. PATENT DOCUMENTS

- 4,858,082 A * 8/1989 Hayward D10/114
- D407,168 S * 3/1999 Arakelian D26/28
- D418,929 S * 1/2000 Allen D26/28

- D422,102 S * 3/2000 Moore D10/114
- D450,402 S * 11/2001 Xuan D26/28
- D461,574 S * 8/2002 Helmke, III D26/28

* cited by examiner

Primary Examiner—Marcus A. Jackson

(74) *Attorney, Agent, or Firm*—Flynn, Thiel, Boutell &
Tanis, P.C.

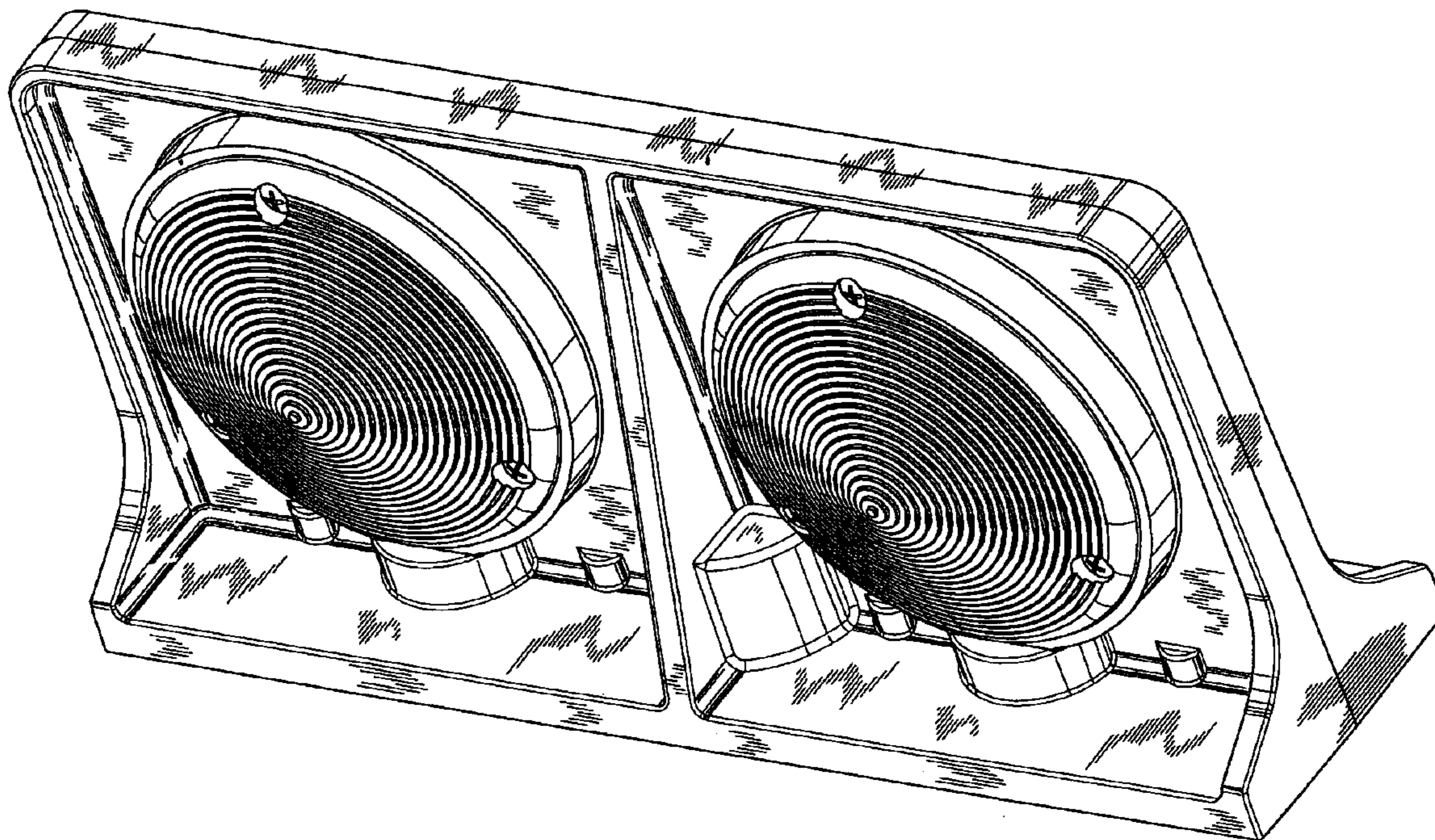
(57) **CLAIM**

The ornamental design for a light fixture for a vehicle, as shown and described.

DESCRIPTION

FIG. 1 is a top, right, front isometric view of a light fixture for a vehicle embodying my new design;
 FIG. 2 is a front view thereof, the rear view being identical thereto;
 FIG. 3 is a left edge view thereof, the right edge view being identical thereto;
 FIG. 4 is a top view thereof; and,
 FIG. 5 is a bottom view thereof.

1 Claim, 4 Drawing Sheets



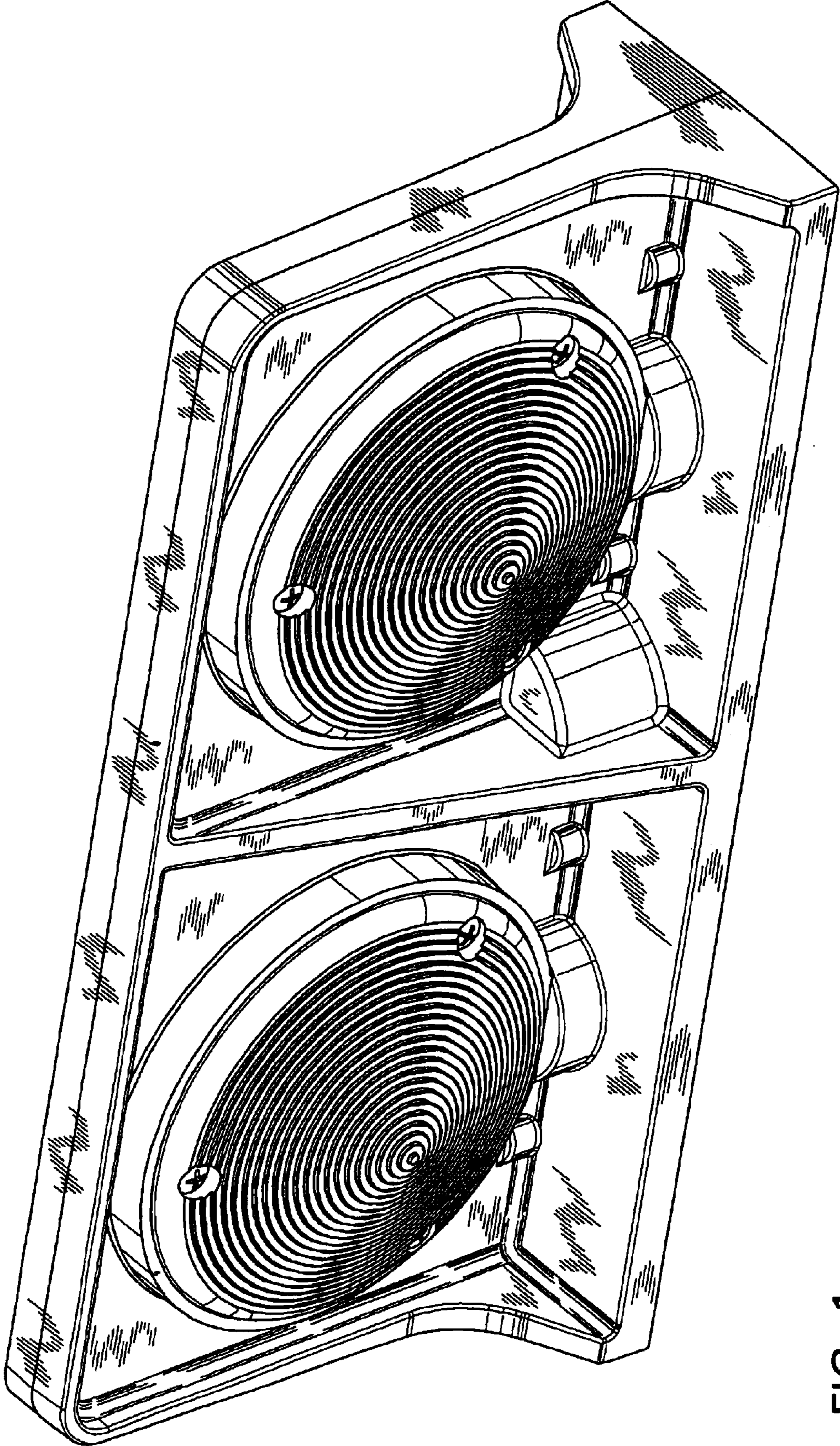


FIG. 1

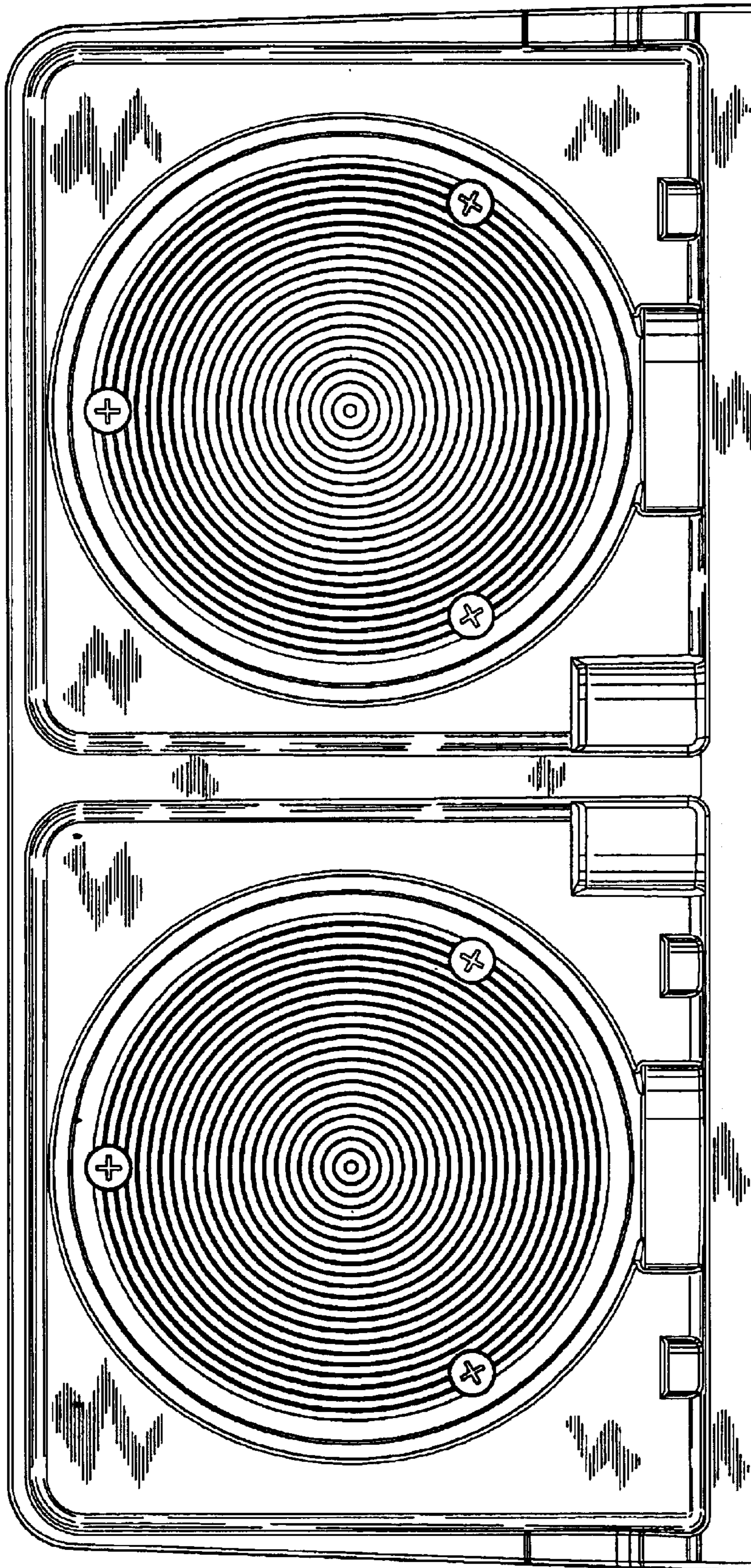


FIG. 2

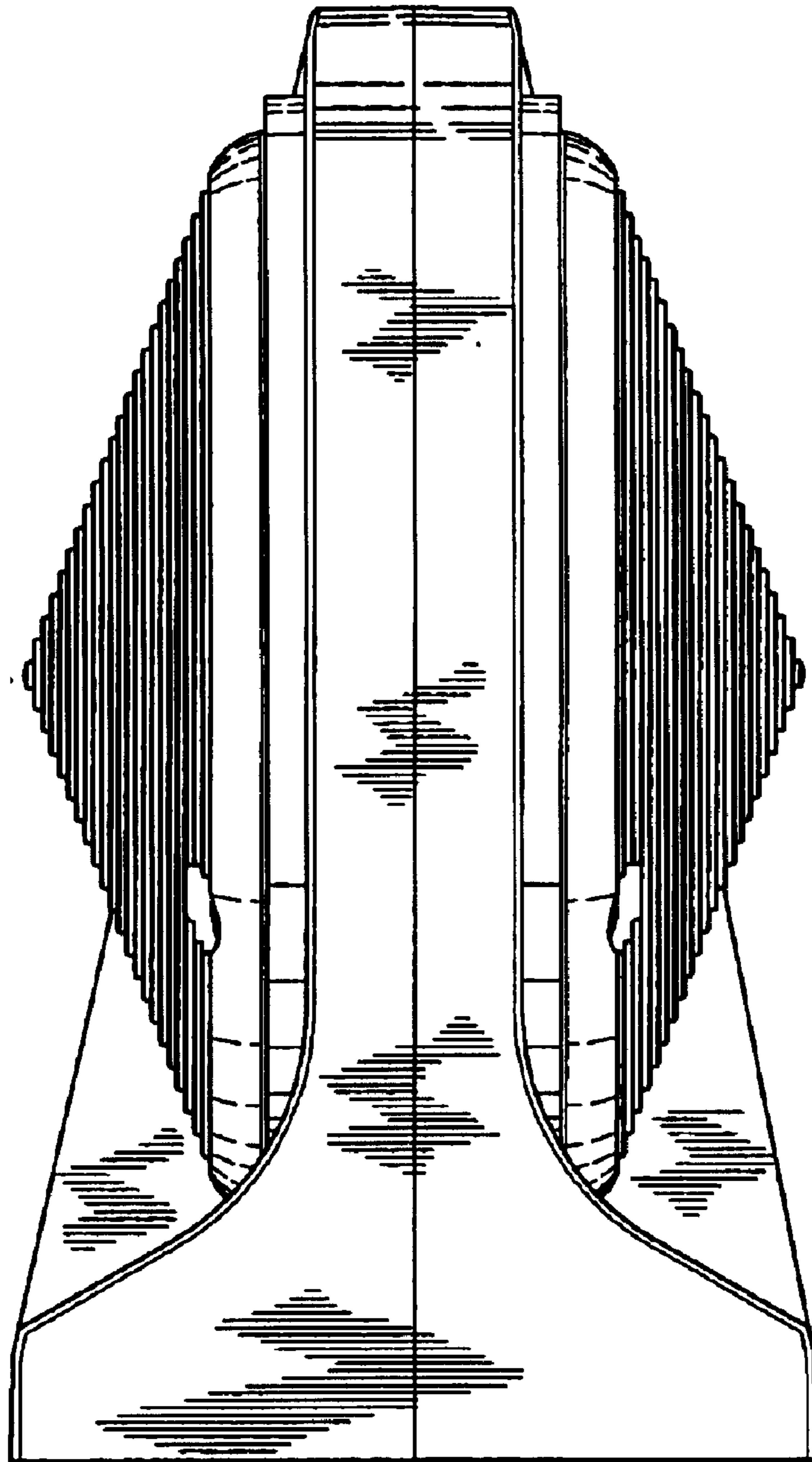


FIG. 3

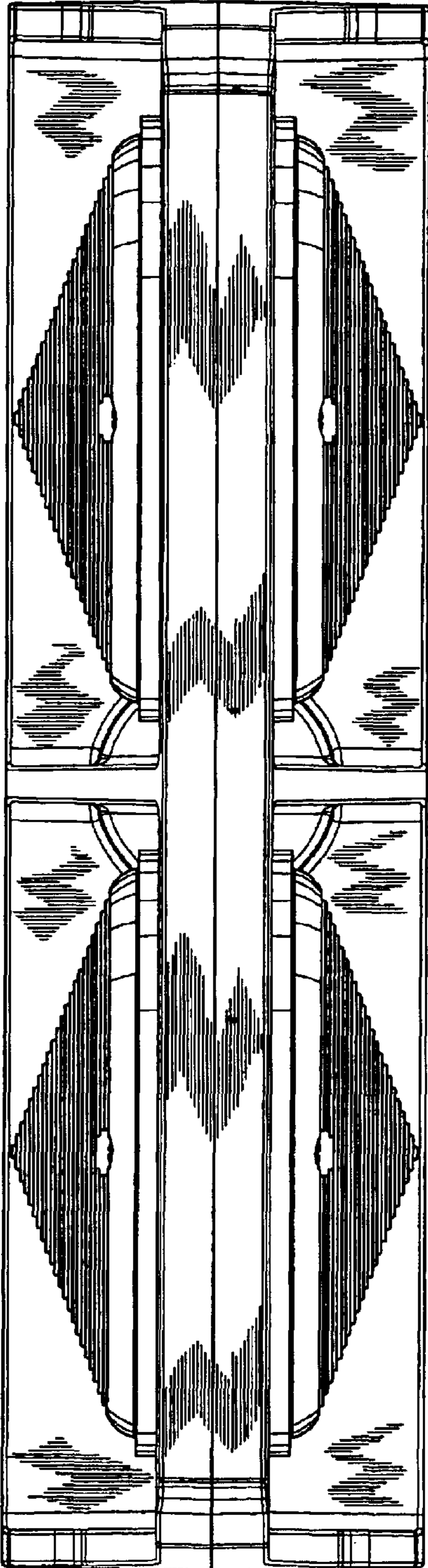


FIG. 4

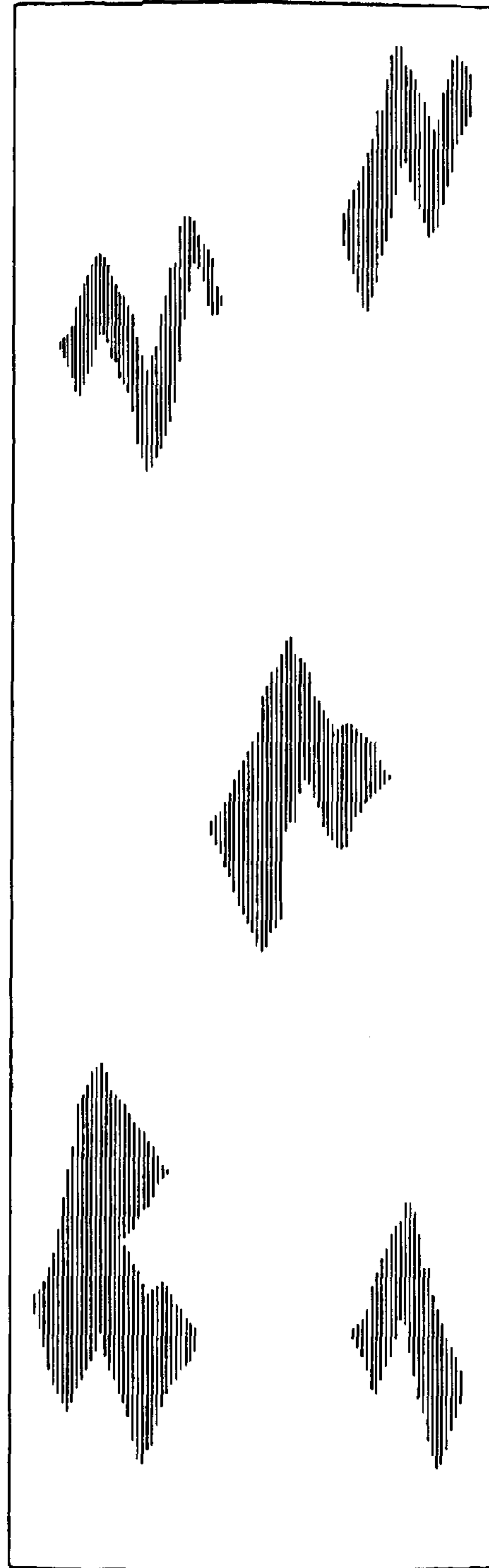


FIG. 5