

US00D499191S

(12) **United States Design Patent**
Franson

(10) **Patent No.:** **US D499,191 S**

(45) **Date of Patent:** **** Nov. 30, 2004**

(54) **WINDOW COMPONENT EXTRUSION**

(75) **Inventor:** **Jeffrey R. Franson**, Maple Valley, WA (US)

(73) **Assignee:** **Mikron Industries, Inc.**, Kent, WA (US)

(**) **Term:** **14 Years**

(21) **Appl. No.:** **29/194,879**

(22) **Filed:** **Dec. 2, 2003**

(51) **LOC (7) Cl.** **25-01**

(52) **U.S. Cl.** **D25/124**

(58) **Field of Search** D25/124, 125;
52/204.1, 204.5; 49/DIG. 2, 504

(56) **References Cited**

U.S. PATENT DOCUMENTS

D362,732 S	*	9/1995	Franson	D25/124
D394,509 S		5/1998	Franson	D25/124
D448,497 S		9/2001	Cole	D25/124

OTHER PUBLICATIONS

Douglas L. Cole, Mikron Part No. 8089, First Drawn: Feb. 14, 2000; First Sold: Dec. 18, 2001.

Mikron Part No. 8428, First Drawn: Mar. 26, 2001; First Sold: Dec. 9, 2001.

* cited by examiner

Primary Examiner—Doris Clark

(74) *Attorney, Agent, or Firm*—Black Lowe & Graham PLLC

(57) **CLAIM**

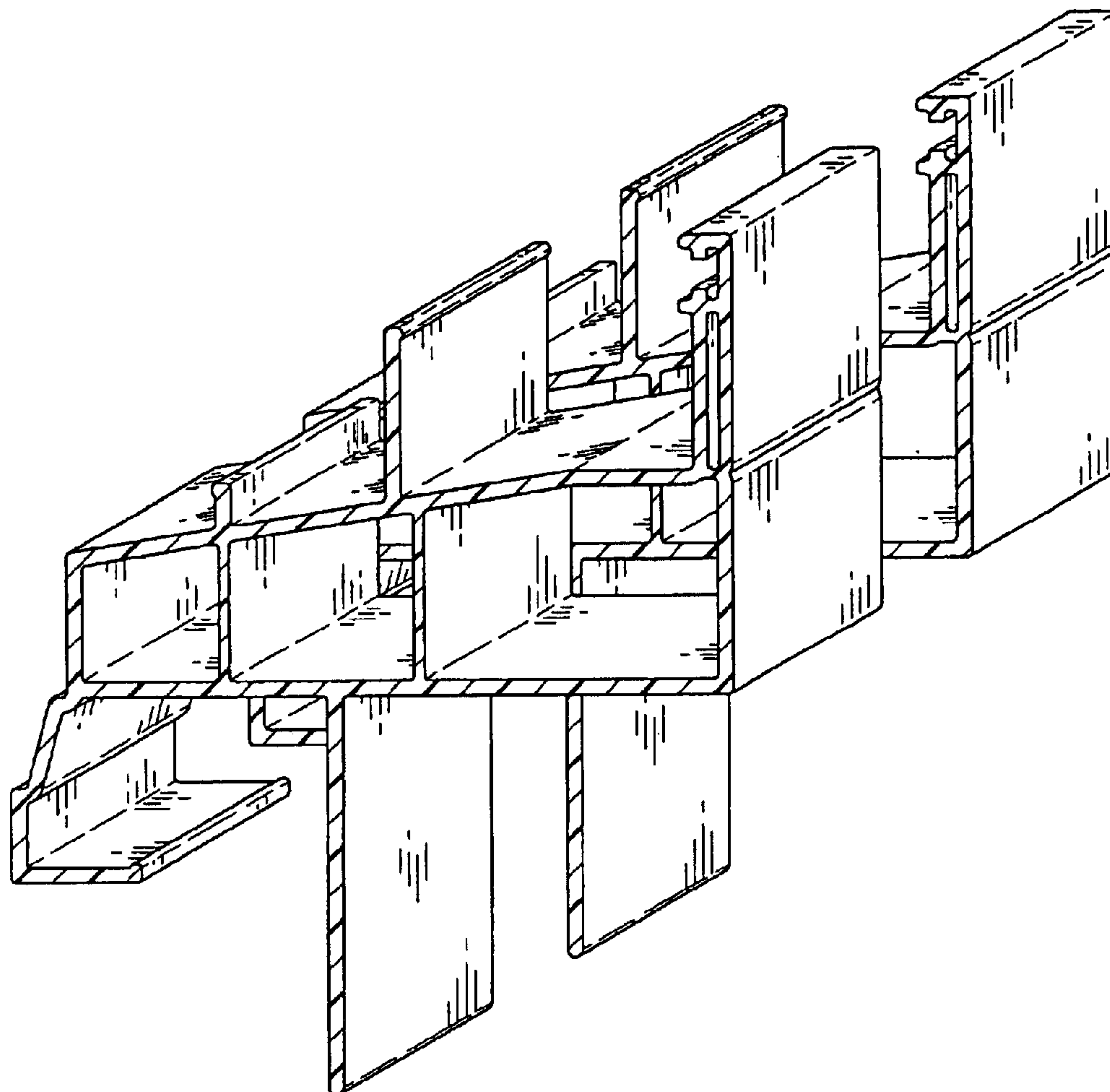
The ornamental design for a window component extrusion, as shown and described.

DESCRIPTION

FIG. 1 is a top right perspective view of the window component extrusion which is broken in the center indicating indefinite length; and,

FIG. 2 is a bottom left perspective view of the window component extrusion shown in FIG. 1.

1 Claim, 1 Drawing Sheet



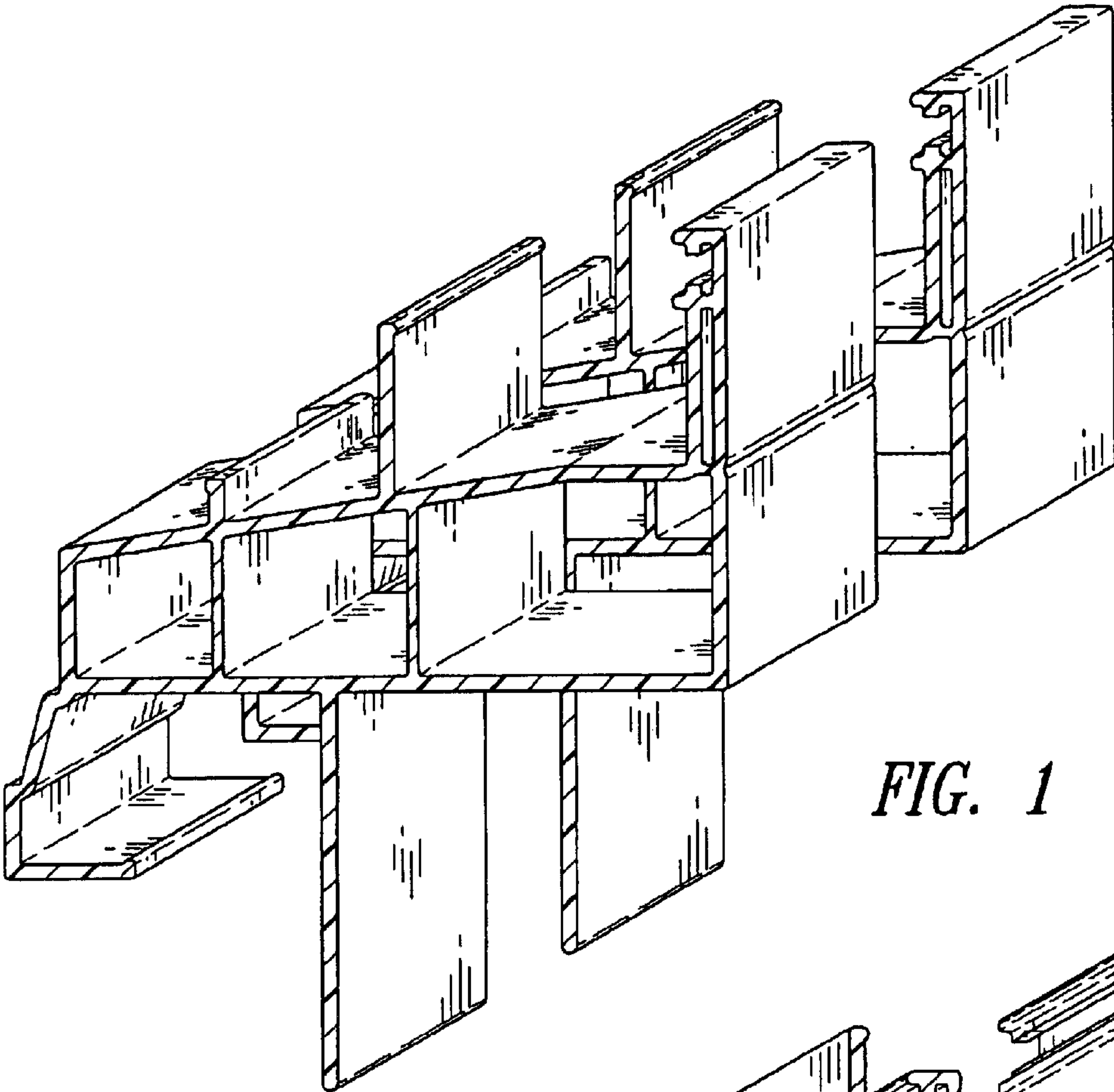


FIG. 1

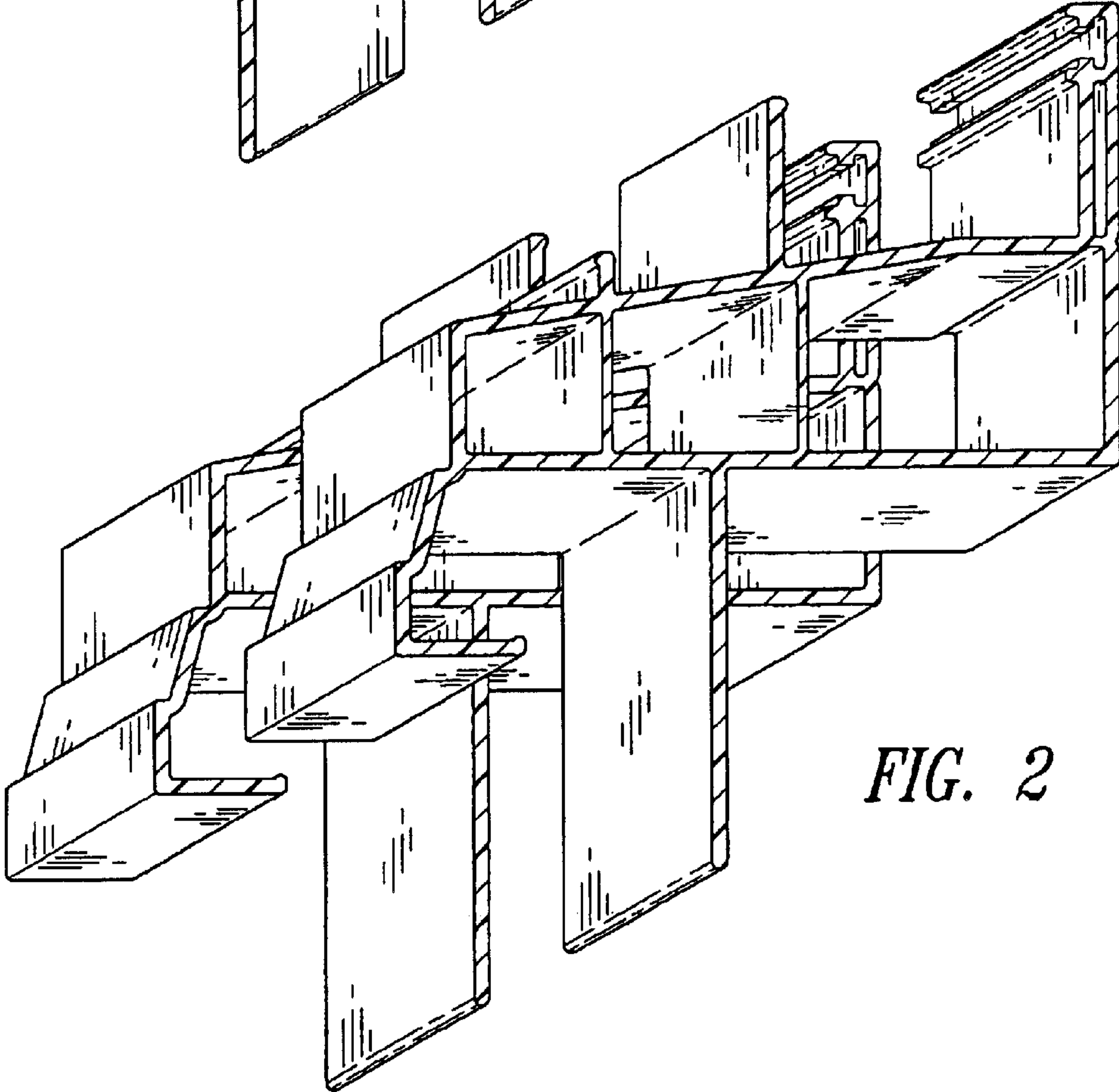


FIG. 2