

US00D499187S

(12) **United States Design Patent** (10) **Patent No.:** **US D499,187 S**
Leung et al. (45) **Date of Patent:** **** *Nov. 30, 2004**

(54) **FOOTBATH** 5,588,161 A 12/1996 Barradas
D378,968 S 4/1997 Martin et al.
(75) Inventors: **Anthony Kit Lun Leung**, Hong Kong D390,963 S 2/1998 Scholpp
(CN); **Kam Fai Fung**, Hong Kong 5,729,841 A 3/1998 Chan
(CN) 5,769,802 A 6/1998 Wang
D405,535 S 2/1999 Schulz
(73) Assignee: **Conair Corporation**, Stamford, CT 5,868,688 A 2/1999 Avidor et al.
(US) D419,682 S 1/2000 Lie
6,149,611 A 11/2000 Chen
(*) Notice: This patent is subject to a terminal dis- D436,180 S 1/2001 Lie
claimer. 6,253,893 B1 7/2001 Chi-Min
6,276,502 B1 8/2001 Leyba et al.
(**) Term: **14 Years** 6,289,900 B1 9/2001 Kay
6,309,366 B1 10/2001 Maxwell

(21) Appl. No.: **29/166,589**

(22) Filed: **Aug. 29, 2002**

(51) **LOC (7) Cl.** **28-03**

(52) **U.S. Cl.** **D24/213**

(58) **Field of Search** D24/200, 213;
601/154, 156, 157, 158

FOREIGN PATENT DOCUMENTS

DE	37 36 476	2/1989
DE	38 11 517	4/1989
DE	38 09 287	9/1989
DE	44 19 146	6/1995
EP	0 064 178	11/1982
GB	2 314 015	12/1997

(List continued on next page.)

(56) **References Cited**

U.S. PATENT DOCUMENTS

3,055,357 A	9/1962	Redka
3,773,987 A	11/1973	Davis et al.
3,837,334 A	9/1974	Johnson
3,881,471 A	5/1975	Grube
3,965,495 A	6/1976	McNair
4,057,053 A	11/1977	Kunz
D250,206 S	11/1978	Levin
4,429,687 A	2/1984	Friedson et al.
4,446,885 A	5/1984	Nolden
4,497,313 A	2/1985	Kurosawa
4,513,735 A	4/1985	Friedson et al.
4,520,525 A	6/1985	Yogi et al.
4,523,580 A	6/1985	Tureaud
4,620,529 A	11/1986	Kurosawa
4,807,602 A	2/1989	Scarborough et al.
5,099,826 A	3/1992	Hayakawa
D327,949 S	7/1992	Bucher
D330,426 S	10/1992	Elkerbout
D363,555 S	10/1995	Lie
D364,466 S	11/1995	Assmann et al.

Primary Examiner—Stella Reid

(74) *Attorney, Agent, or Firm*—Ohlandt, Greeley, Ruggiero & Perle, LLP

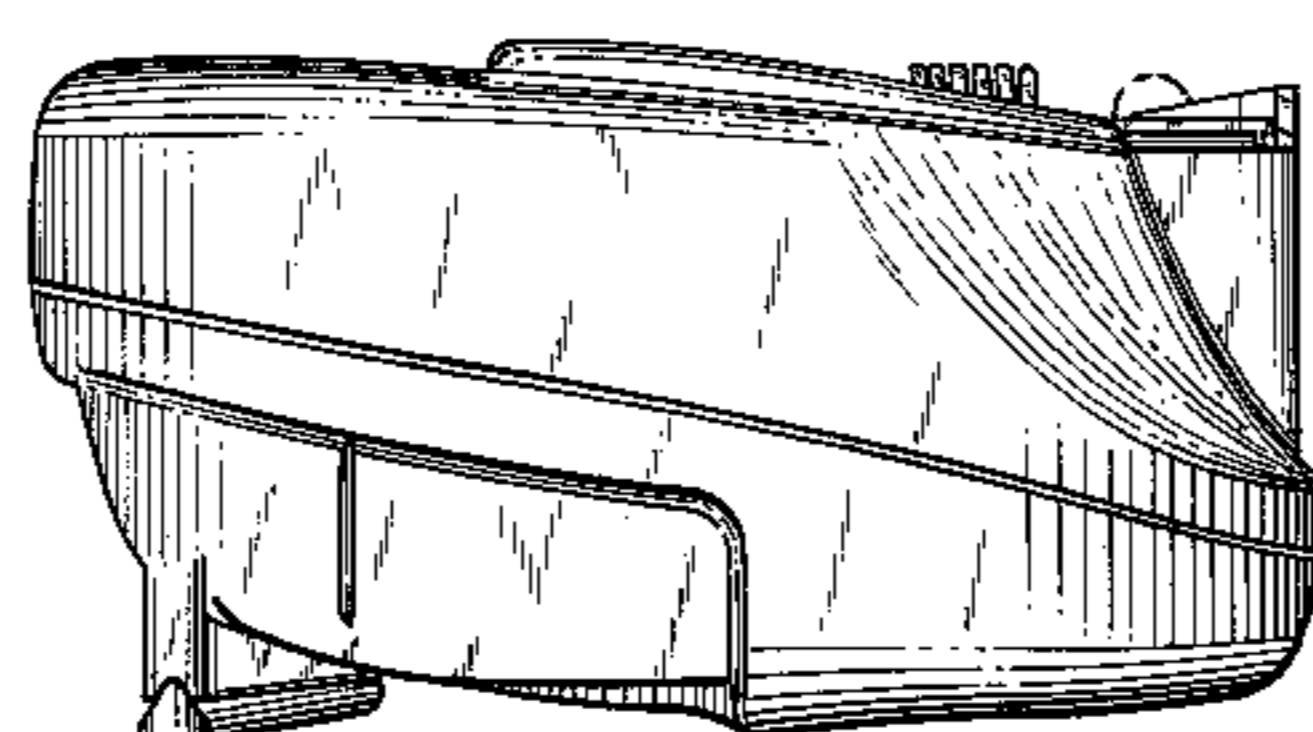
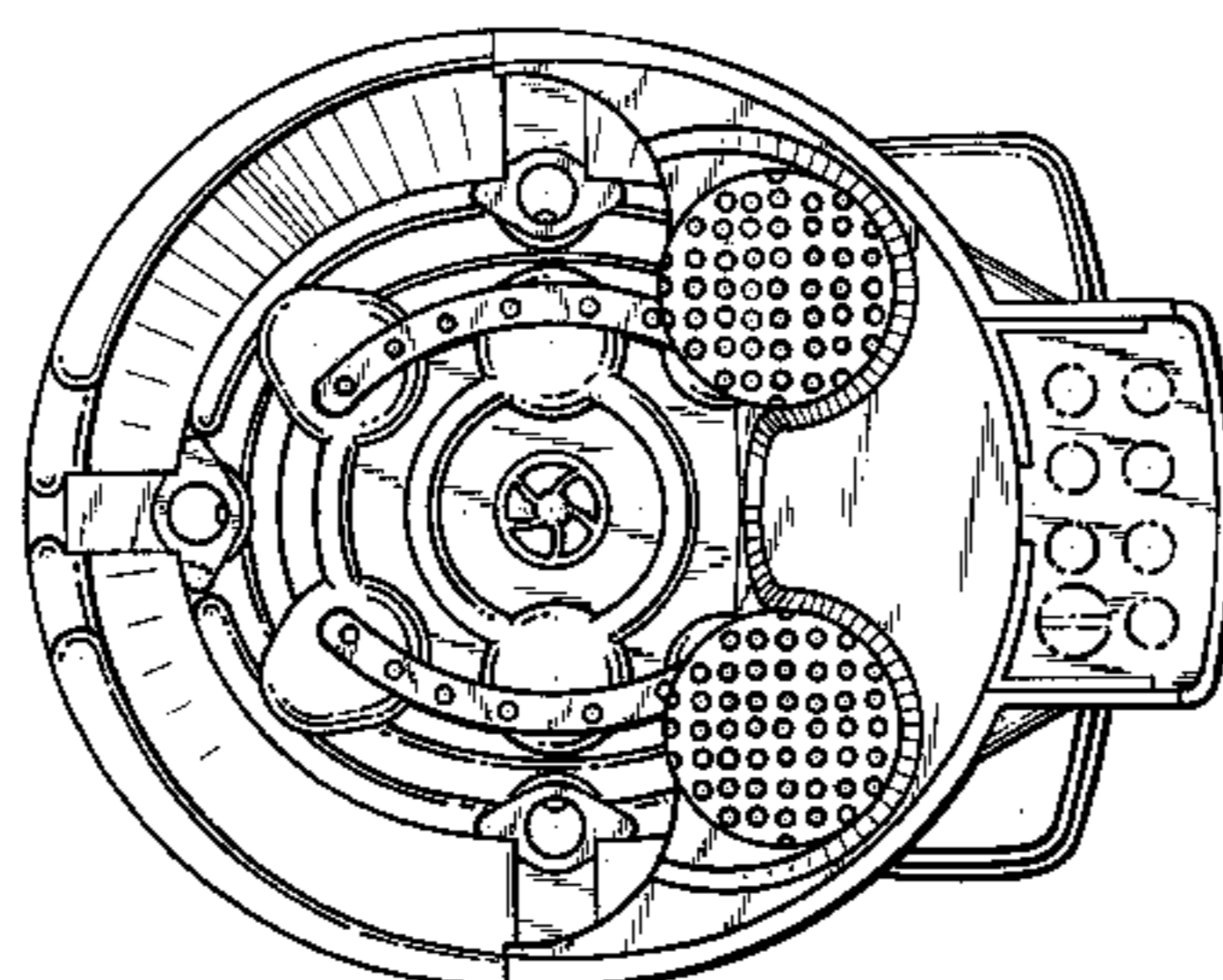
(57) **CLAIM**

The ornamental design for a footbath, as shown and described.

DESCRIPTION

FIG. 1 is a front view of the footbath according to the present invention;
FIG. 2 is a top view of the footbath of FIG. 1;
FIG. 3 is a right side view of the footbath of FIG. 1;
FIG. 4 is a left side view of the footbath of FIG. 1;
FIG. 5 is a bottom view of the footbath of FIG. 1; and,
FIG. 6 is a rear view of the footbath of FIG. 1.
The broken line showing is for illustrative purposes only and forms no part of the claimed design.

1 Claim, 6 Drawing Sheets



US D499,187 S

Page 2

FOREIGN PATENT DOCUMENTS					
			JP	6217897	8/1994
			JP	6217898	8/1994
			JP	6217899	8/1994
			JP	6339509	12/1994
			JP	8131556	5/1996
			JP	9224863	9/1997
			JP	2000-262575	9/2000
			JP	2000-312652	11/2000
JP	4090759	3/1992			
JP	646963	2/1994			
JP	646964	2/1994			
JP	646965	2/1994			
JP	678858	3/1994			
JP	6217895	8/1994			
JP	6217896	8/1994			

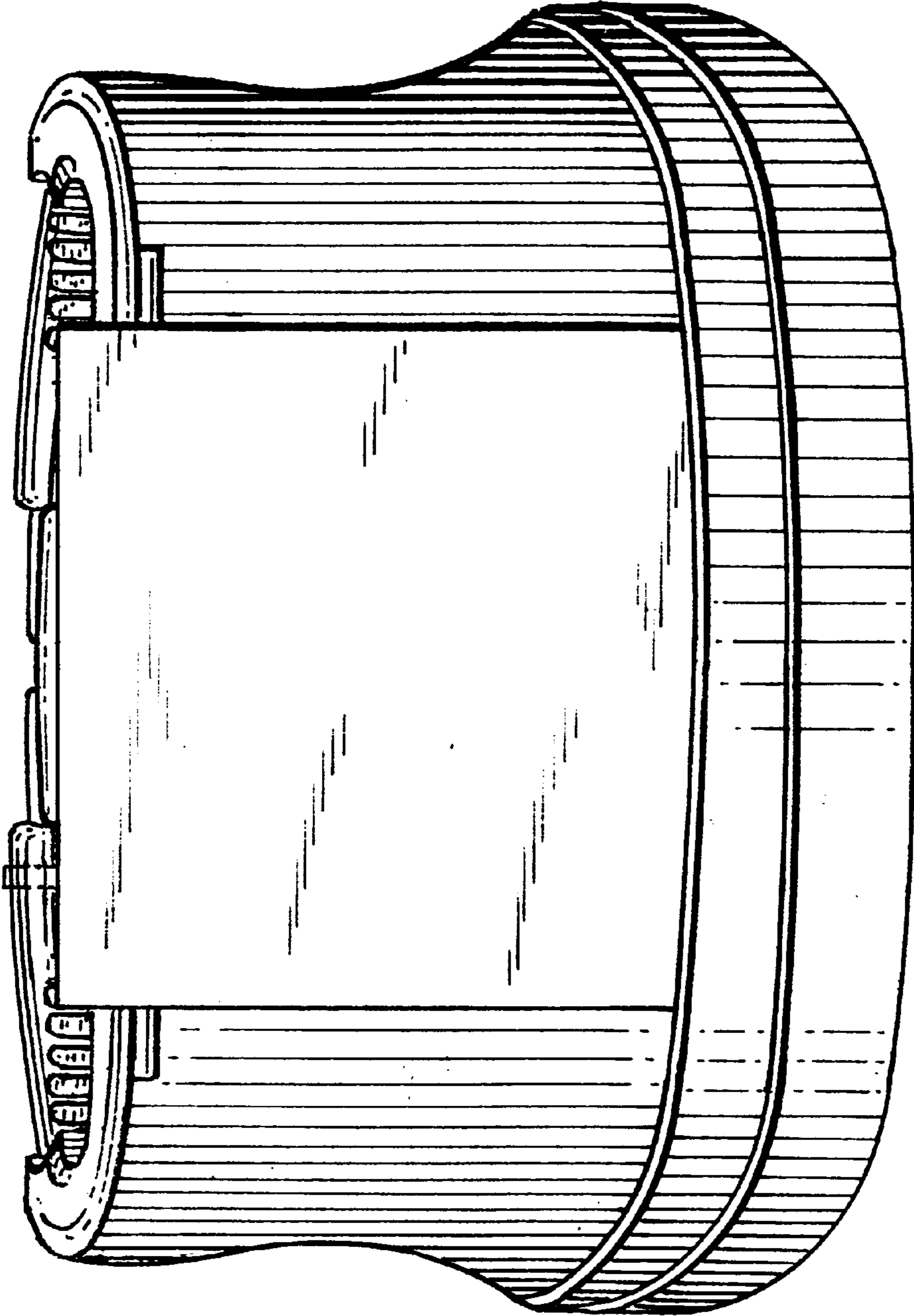


FIG.1

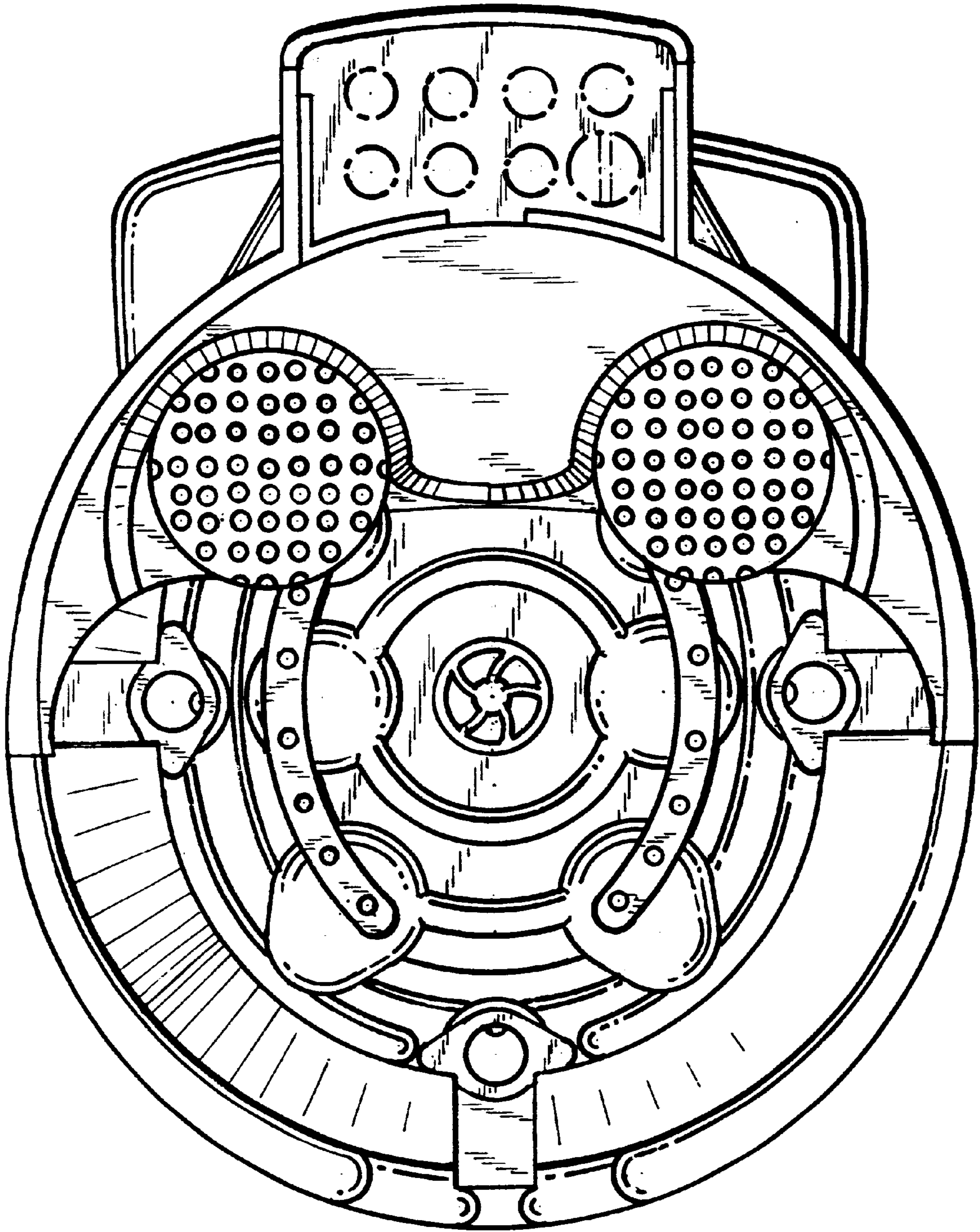


FIG.2

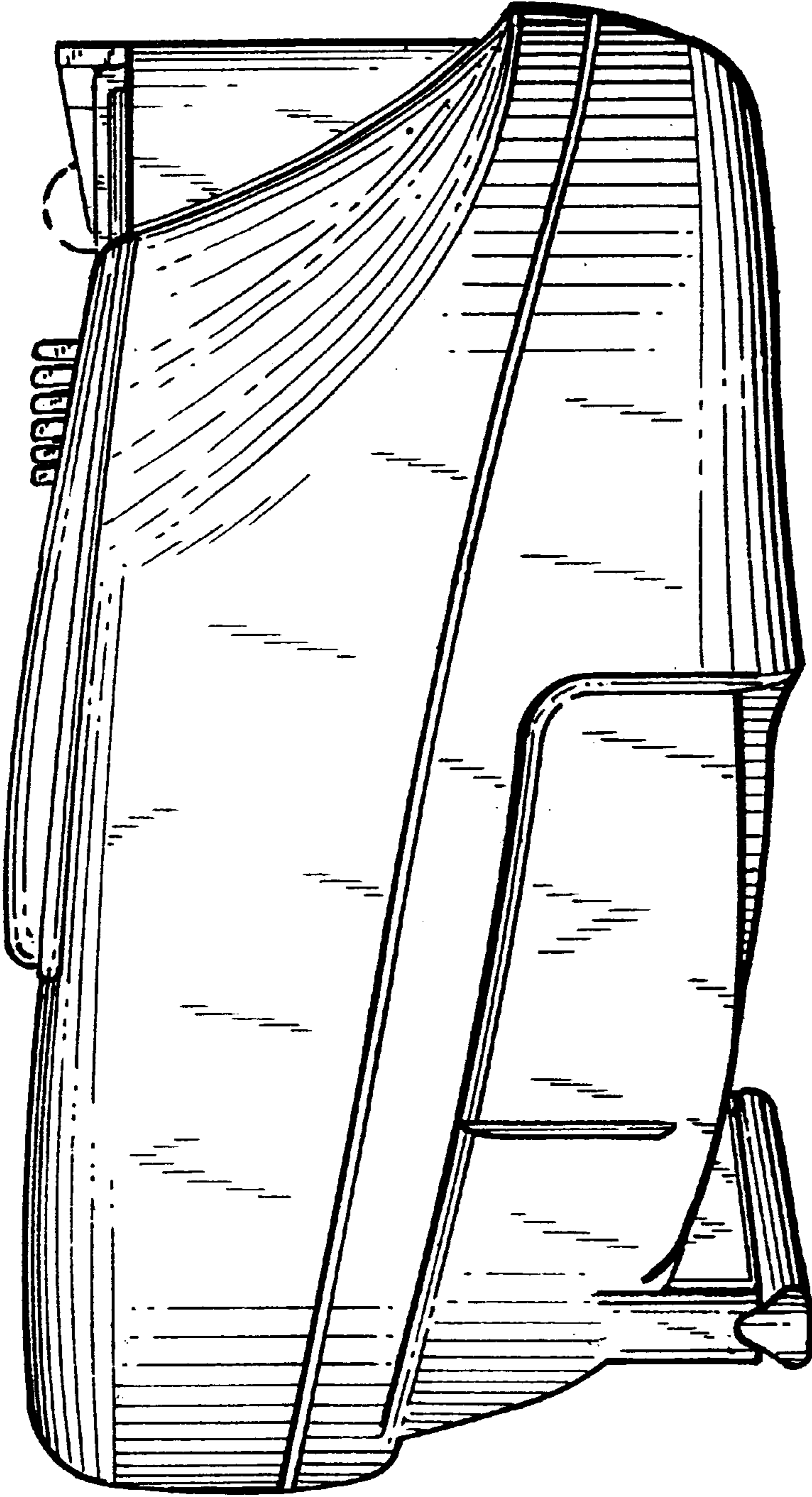


FIG.3

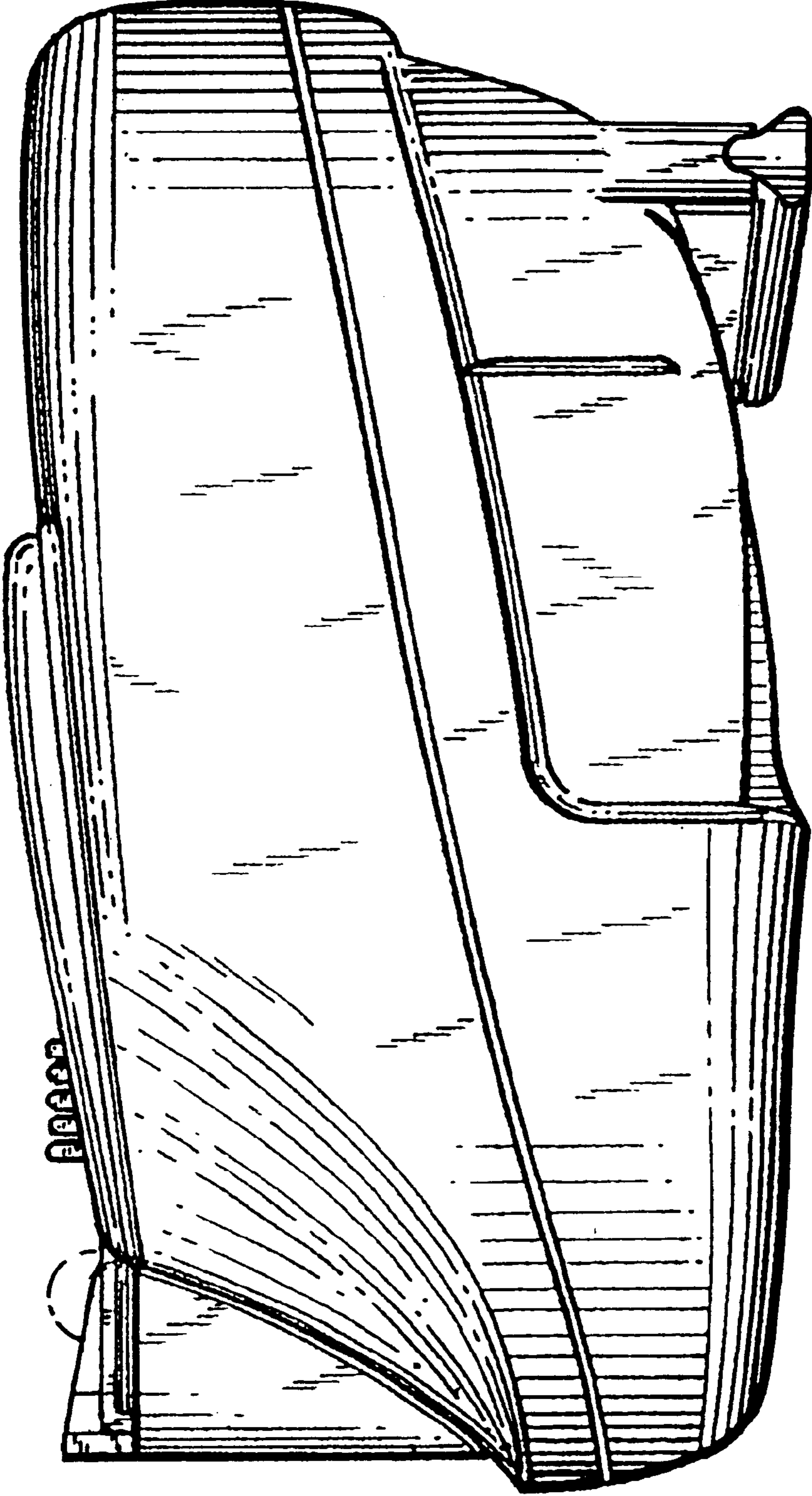


FIG.4

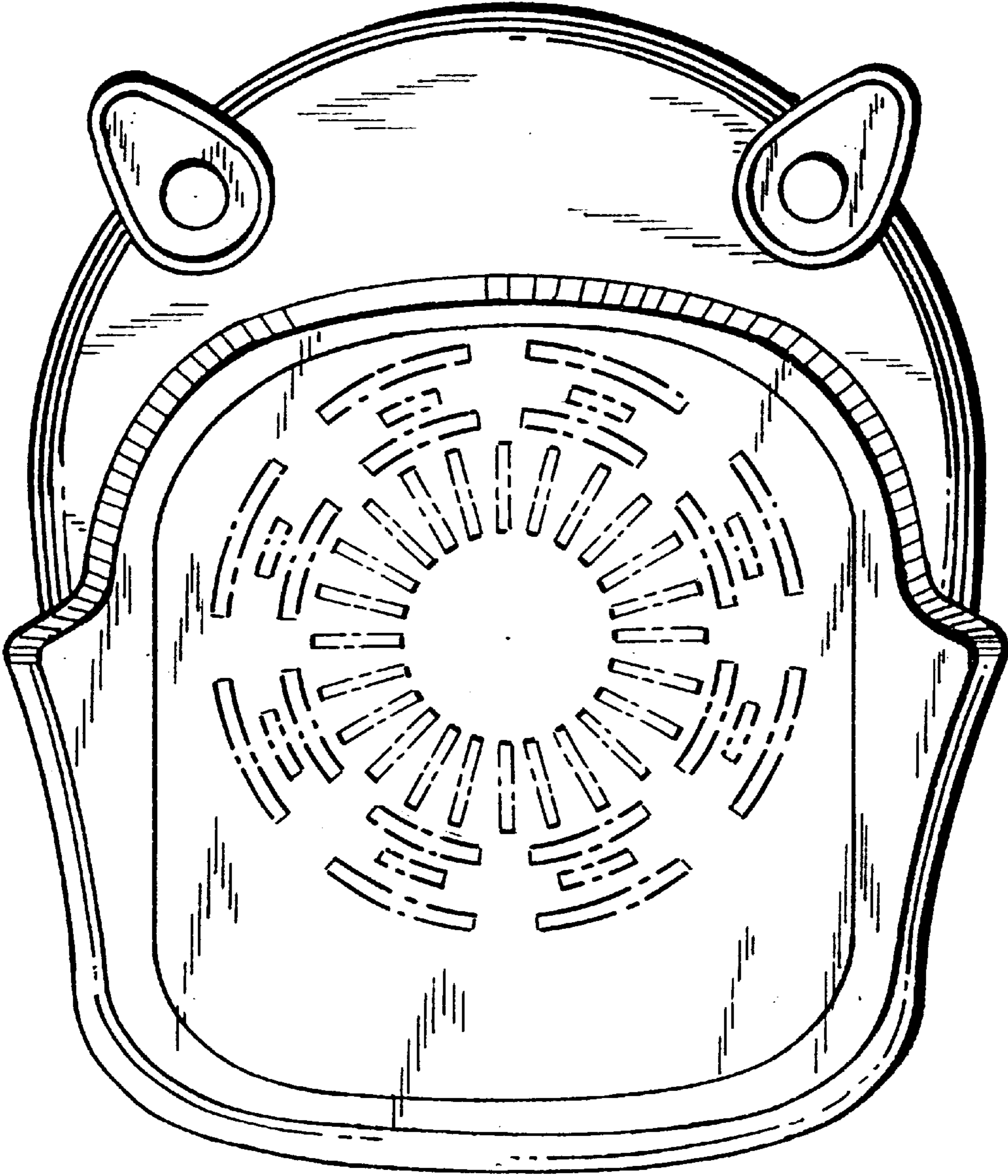


FIG.5

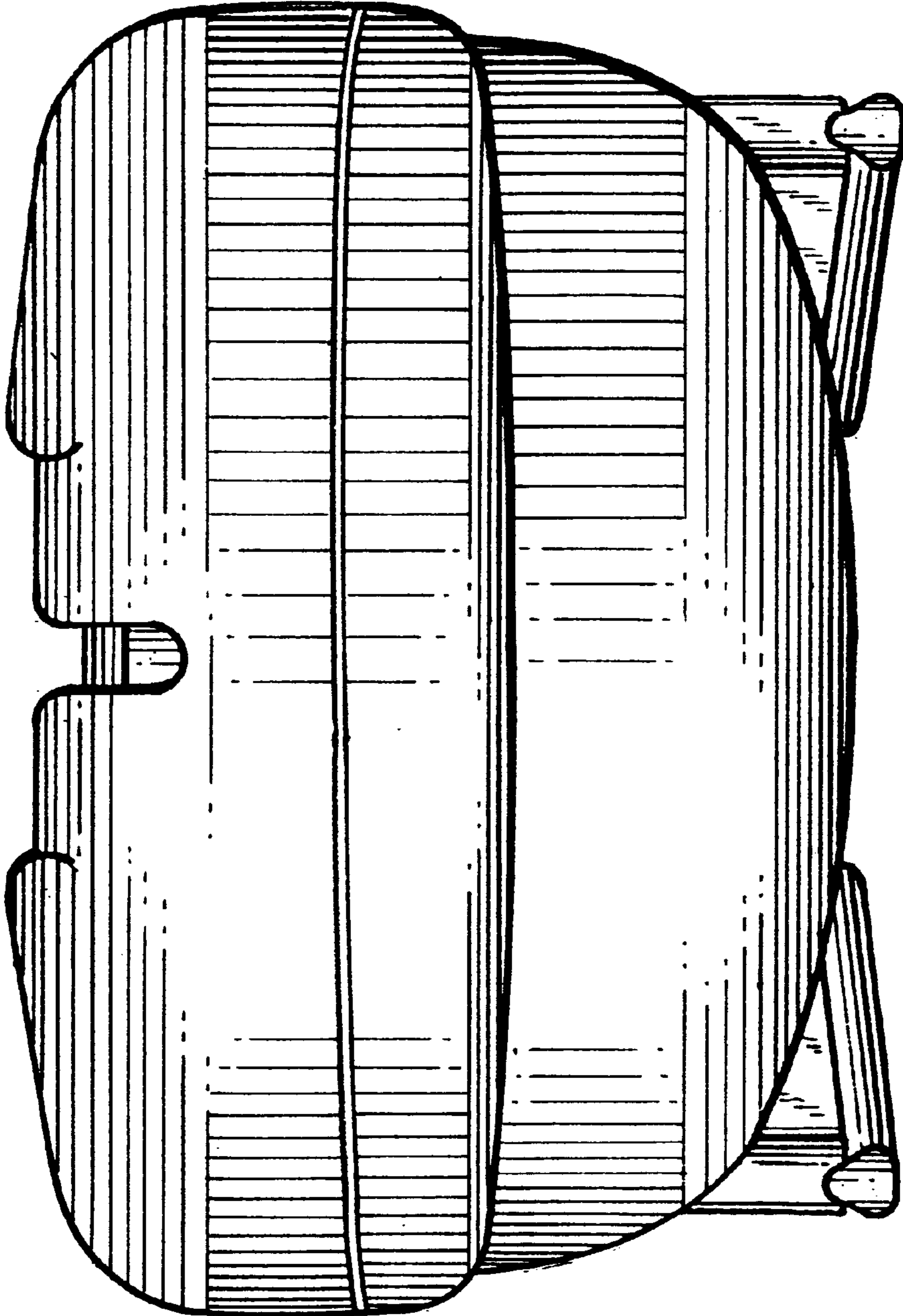


FIG.6