

US00D499174S

(12) **United States Design Patent**
Goetz et al.

(10) **Patent No.:** **US D499,174 S**
(45) **Date of Patent:** **** Nov. 30, 2004**

(54) **FOUR-WAY SHUT-OFF VALVE ACCESSORY FOR WATER HOSE**

D288,229 S * 2/1987 Beal et al. D23/262
D422,680 S * 4/2000 Guo D23/213
D426,616 S * 6/2000 Hui-Chen D23/233
6,463,955 B2 * 10/2002 Hasak et al. 137/553

(75) Inventors: **Michael Goetz**, Somerset, PA (US);
Douglas Shaulis, Somerset, PA (US)

* cited by examiner

(73) Assignee: **Gilmour, Inc.**, Newark, DE (US)

Primary Examiner—Nelson C. Holtje

(**) Term: **14 Years**

(74) *Attorney, Agent, or Firm*—Victor A. Henzi

(21) Appl. No.: **29/199,992**

(57) **CLAIM**

(22) Filed: **Feb. 23, 2004**

The ornamental design for a four-way shut-off valve accessory for water hose, as shown and described.

(51) **LOC (7) Cl.** **23-01**

DESCRIPTION

(52) **U.S. Cl.** **D23/245; D23/248**

FIG. 1 is a front top left perspective view of the present new design for a four-way shut-off valve for water hose; FIG. 2 is a front elevational view thereof; FIG. 3 is a rear elevational view thereof; FIG. 4 is a top plan view thereof; FIG. 5 is a bottom plan view thereof; FIG. 6 is right elevational view thereof; and, FIG. 7 is a left elevational view thereof.

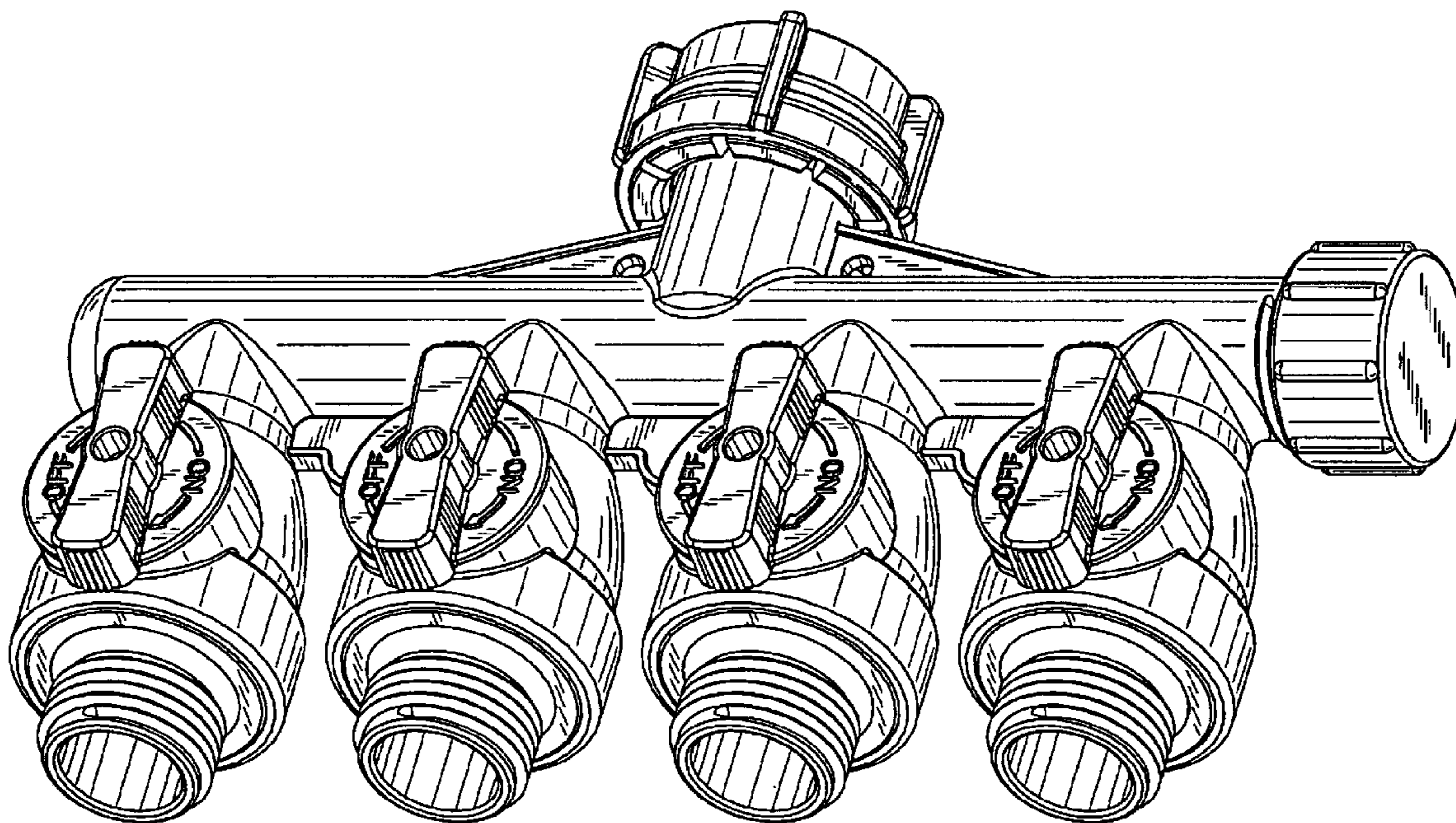
(58) **Field of Search** D23/233, 245,
D23/247–250; 251/309–310, 315, 315.14,
335.5; 137/170–174, 219, 625.22

(56) **References Cited**

U.S. PATENT DOCUMENTS

2,287,633 A * 6/1942 Newcum 137/343
2,599,274 A * 6/1952 Murnin, Jr. 251/309
3,826,431 A * 7/1974 Telge 239/551

1 Claim, 6 Drawing Sheets



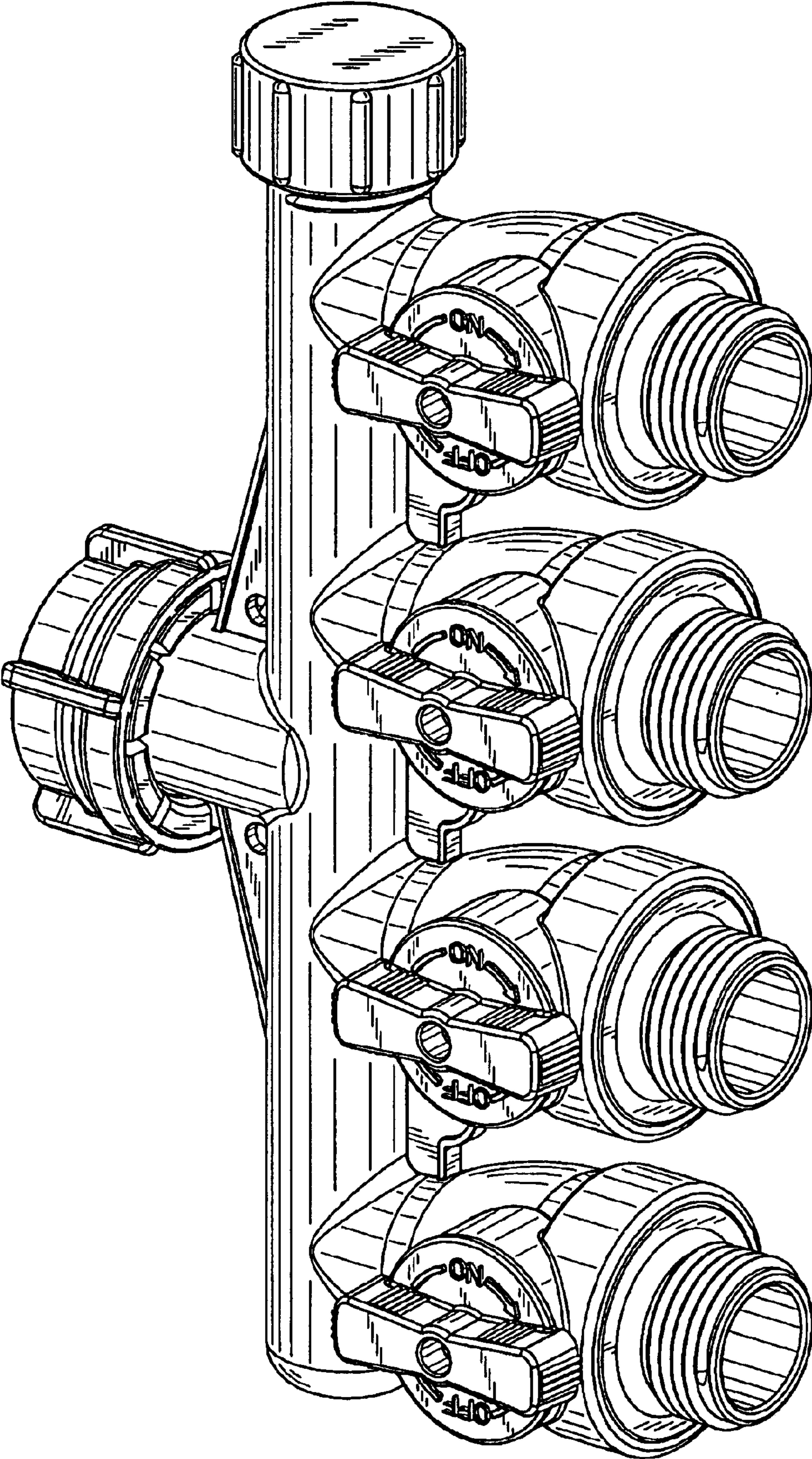


FIG. 1

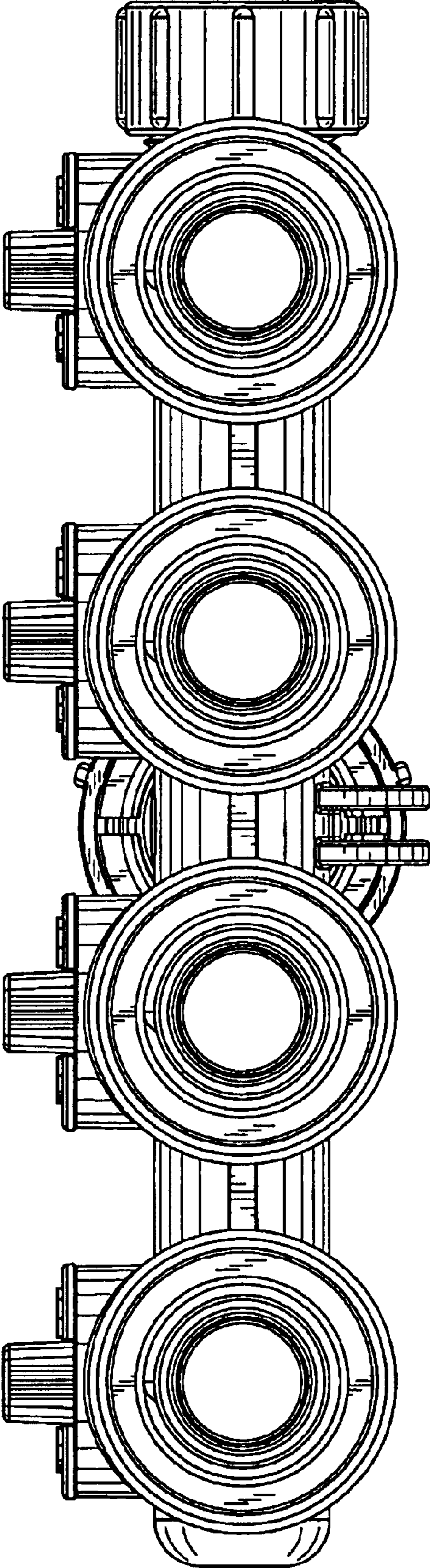


FIG. 2

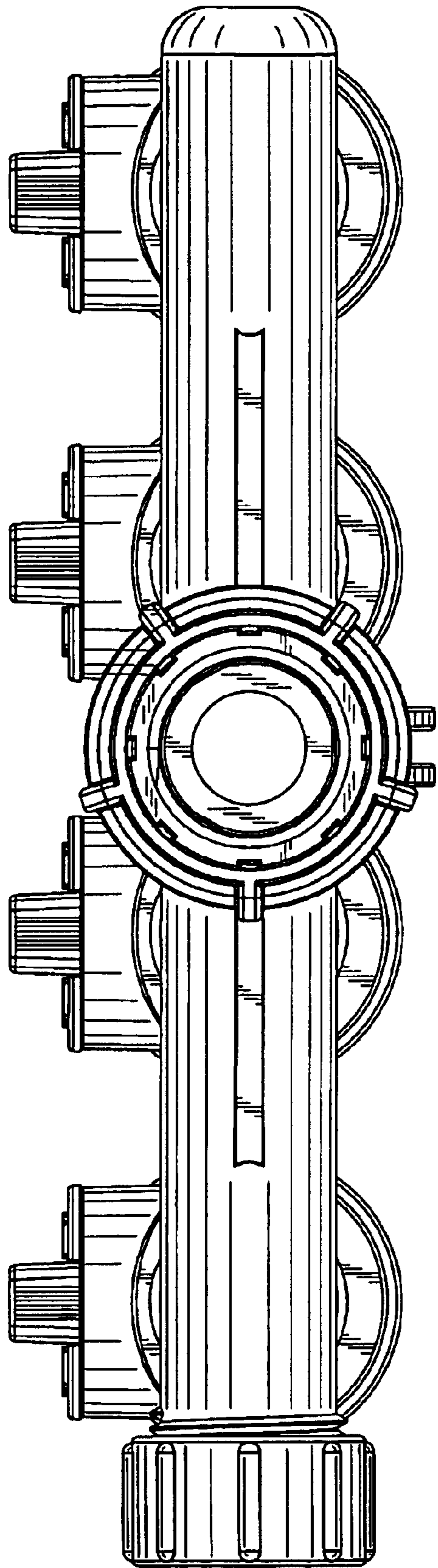


FIG. 3

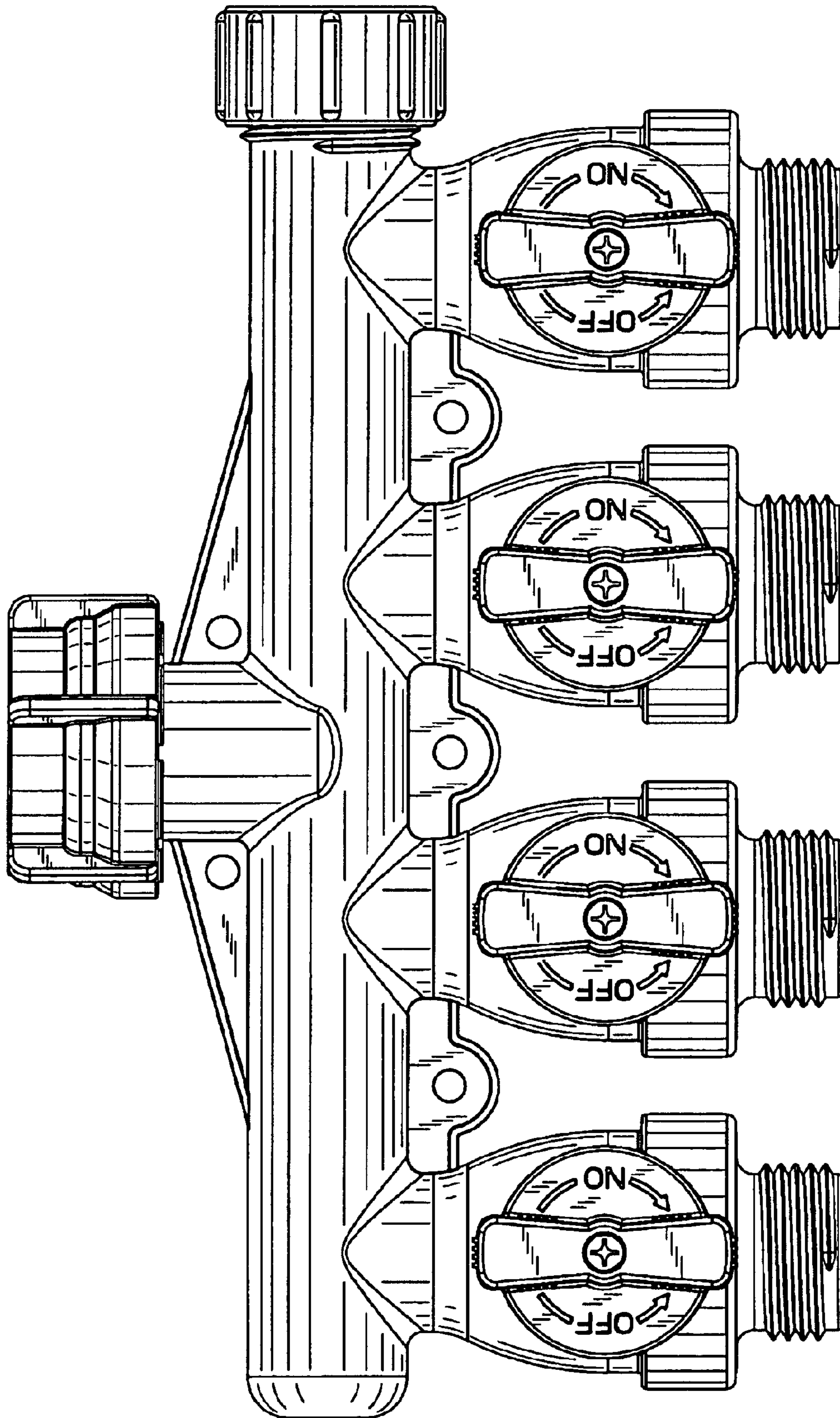


FIG. 4

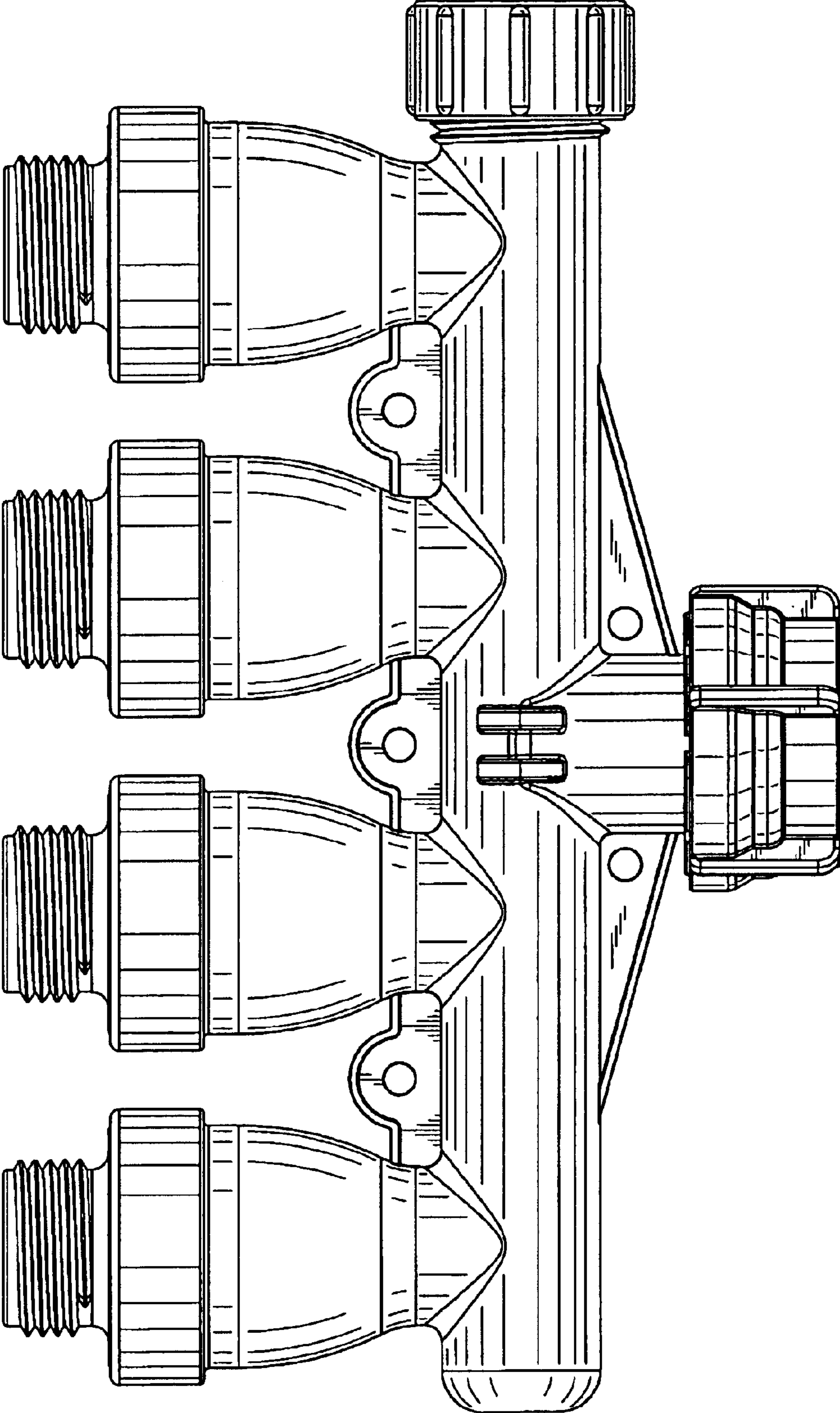


FIG. 5

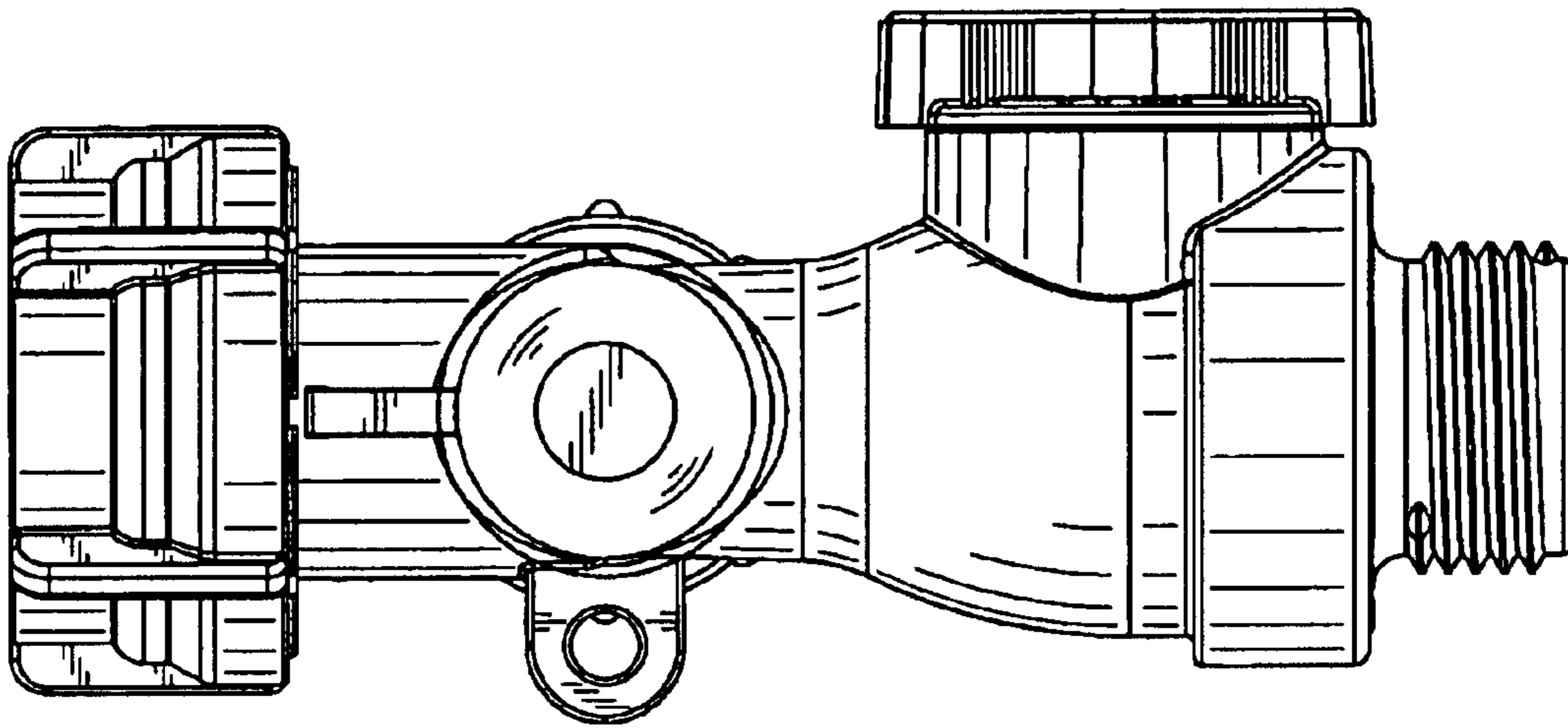


FIG. 6

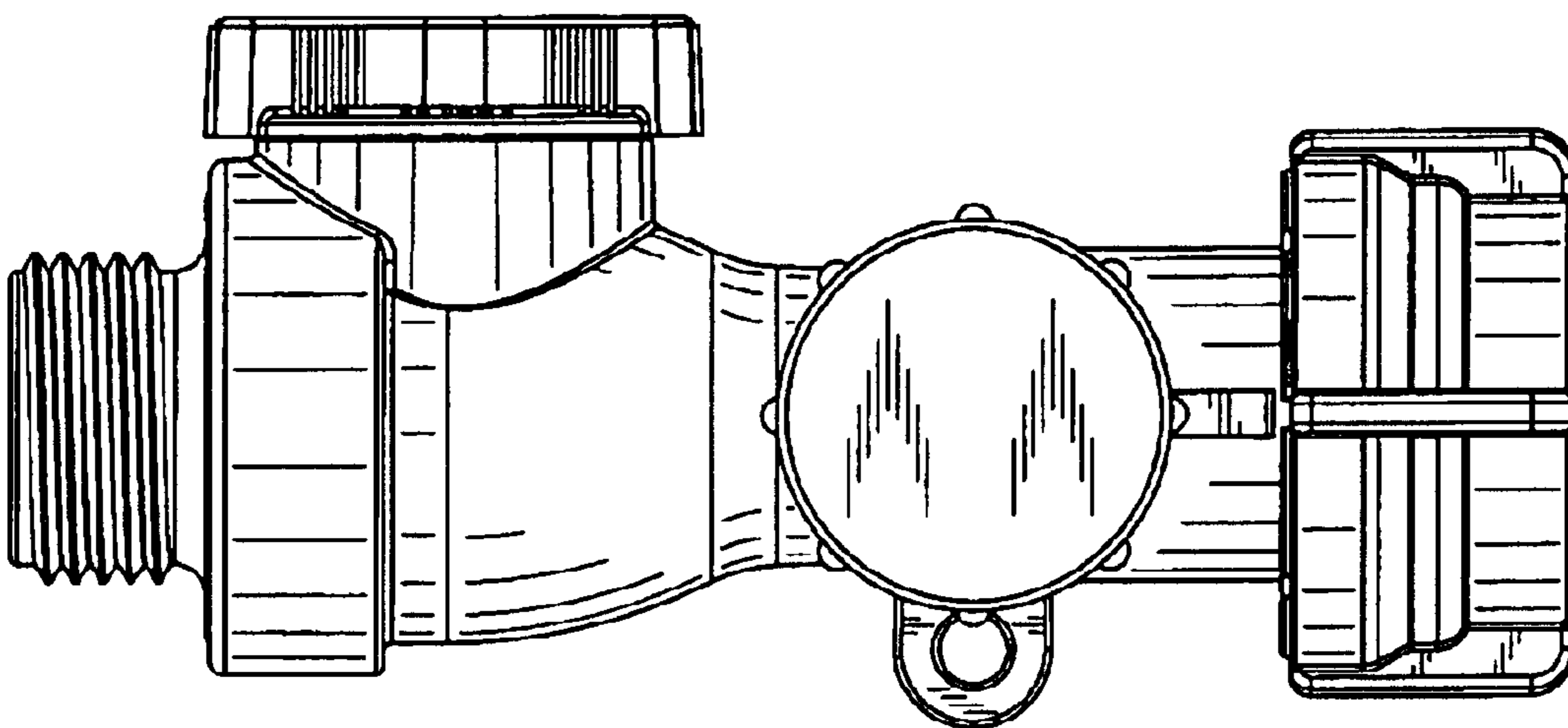


FIG. 7