

US00D499172S

(12) **United States Design Patent** (10) **Patent No.:** **US D499,172 S**
Tripp et al. (45) **Date of Patent:** **** Nov. 30, 2004**

(54) **BALL VALVE BODY**

(75) Inventors: **Robert Tripp**, Riverside, IL (US);
Peter Berkman, Highland Park, IL (US)

(73) Assignee: **B&K Industries, Inc.**, Elk Grove Village, IL (US)

(**) Term: **14 Years**

(21) Appl. No.: **29/195,135**

(22) Filed: **Dec. 5, 2003**

Related U.S. Application Data

(62) Division of application No. 29/163,336, filed on Jul. 1, 2002, now Pat. No. Des. 486,204.

(51) **LOC (7) Cl.** **23-01**

(52) **U.S. Cl.** **D23/245**

(58) **Field of Search** D23/233, 244-249; 251/309-310, 315.14, 315.16, 315.01, 315.1

(56) **References Cited**

U.S. PATENT DOCUMENTS

D234,200 S	1/1975	Buechler	
D237,968 S	12/1975	Olson, Jr.	
D297,254 S	8/1988	Odate et al.	
D304,490 S	11/1989	Hengesbach	
D312,121 S	11/1990	Wozniak et al.	
D318,319 S	7/1991	Rokita	
D318,903 S	* 8/1991	Lenberg D23/245
D321,928 S	11/1991	Milo	
D328,945 S	8/1992	Aarthun et al.	
D359,102 S	6/1995	Bouc et al.	
D372,073 S	7/1996	Ozaki et al.	
D385,010 S	10/1997	Hennessy	
D396,524 S	7/1998	Patrick et al.	
D400,970 S	* 11/1998	Voo D23/245
D411,870 S	7/1999	Humber	
D412,561 S	8/1999	Voo	
D429,518 S	8/2000	Ferrer Beltran	
D429,519 S	8/2000	Ferrer Beltran	

(List continued on next page.)

Primary Examiner—Nelson C. Holtje
(74) *Attorney, Agent, or Firm*—Harness, Dickey & Pierce, P.L.C.

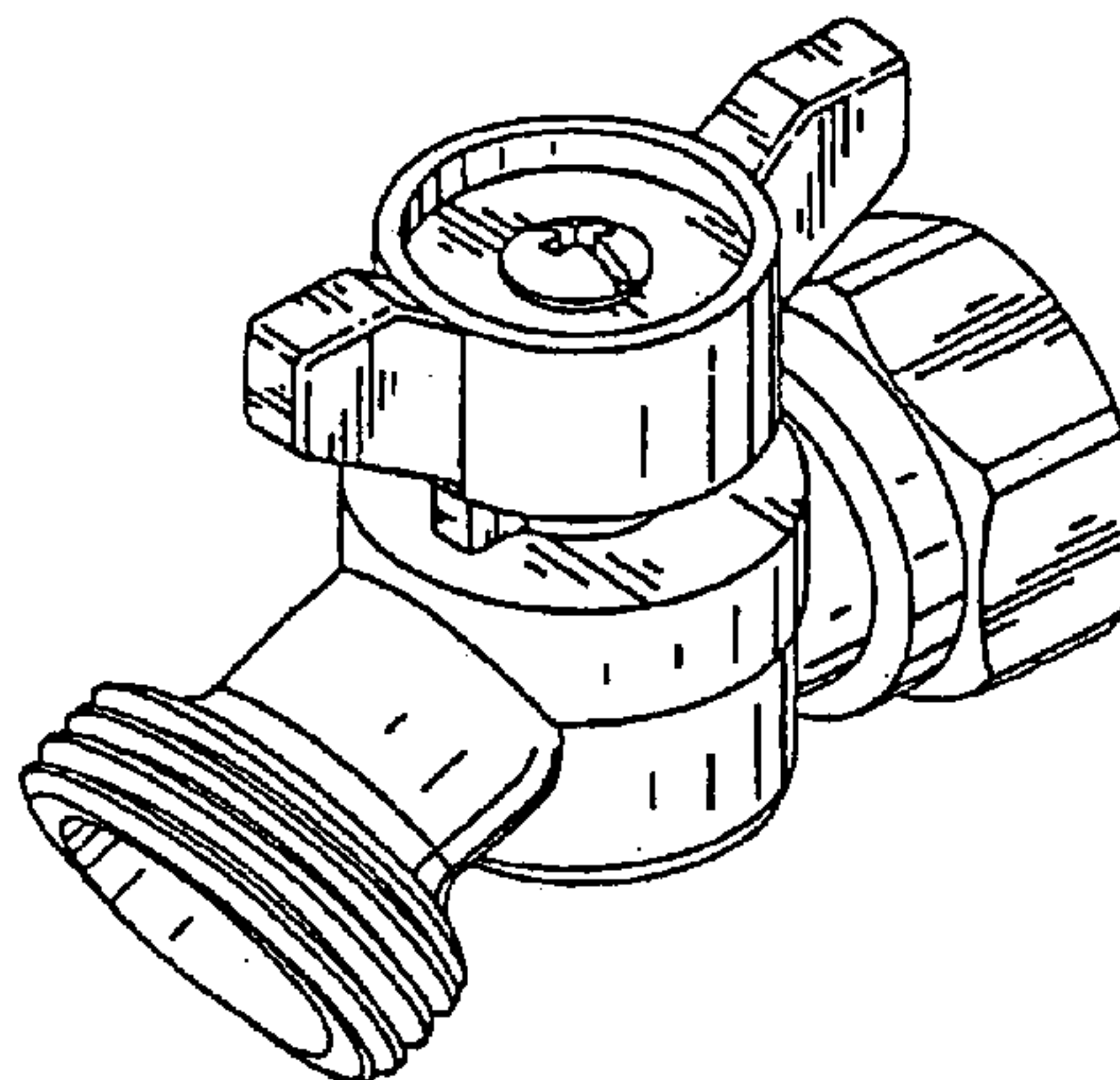
(57) **CLAIM**

The ornamental design for a ball valve body, as shown and described.

DESCRIPTION

FIG. 1 is a perspective view of a first embodiment of a ball valve body in accordance with the present invention; FIG. 2 is a front elevational view of FIG. 1; FIG. 3 is a right side elevational view of FIG. 1, the left side elevational view of FIG. 1 is a mirror image thereof; FIG. 4 is a rear elevational view of FIG. 1; FIG. 5 is a top plan view of FIG. 1; FIG. 6 is a bottom plan view of FIG. 1; FIG. 7 is a perspective view of a second embodiment of a ball valve body in accordance with the present invention; FIG. 8 is a front elevational view of FIG. 7; FIG. 9 is a right side elevational view of FIG. 7, the left side elevational view of FIG. 7 is a mirror image thereof; FIG. 10 is a rear elevational view of FIG. 7; FIG. 11 is a top plan view of FIG. 7; FIG. 12 is a bottom plan view of FIG. 7; FIG. 13 is a perspective view of a third embodiment of a ball valve body in accordance with the present invention; FIG. 14 is a front elevational view of FIG. 13; FIG. 15 is a right side elevational view of FIG. 13, the left side elevational view of FIG. 13 is a mirror image thereof; FIG. 16 is a rear elevational view of FIG. 13; FIG. 17 is a top plan view of FIG. 13; FIG. 18 is a bottom plan view of FIG. 13; FIG. 19 is a perspective view of a fourth embodiment of a ball valve body in accordance with the present invention; FIG. 20 is a front elevational view of FIG. 19; FIG. 21 is a right side elevational view of FIG. 19, the left side elevational view of FIG. 19 is a mirror image thereof; FIG. 22 is a rear elevational view of FIG. 19; FIG. 23 is a top plan view of FIG. 19; and, FIG. 24 is a bottom plan view of FIG. 19.

1 Claim, 8 Drawing Sheets



US D499,172 S

Page 2

U.S. PATENT DOCUMENTS

D429,520 S	8/2000	Ferrer Beltran		D431,068 S	9/2000	Beaver et al.	
D430,272 S	8/2000	Hung-Lin		D438,595 S	3/2001	Ferrer Beltran	
D430,922 S	* 9/2000	Hung-Lin D23/245	D455,818 S	* 4/2002	Naoyuki D23/245
							* cited by examiner

Figure 1

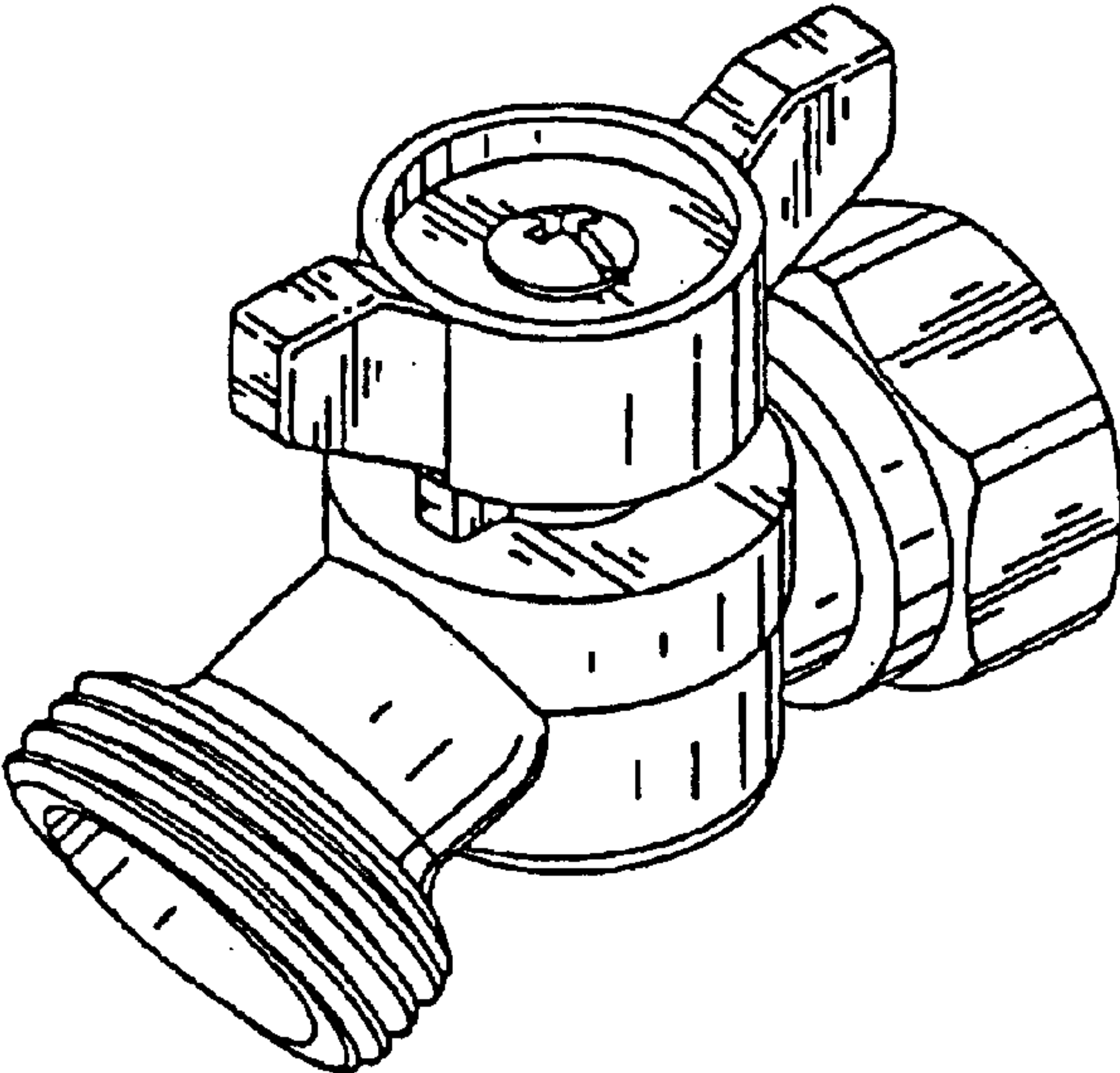


Figure 2

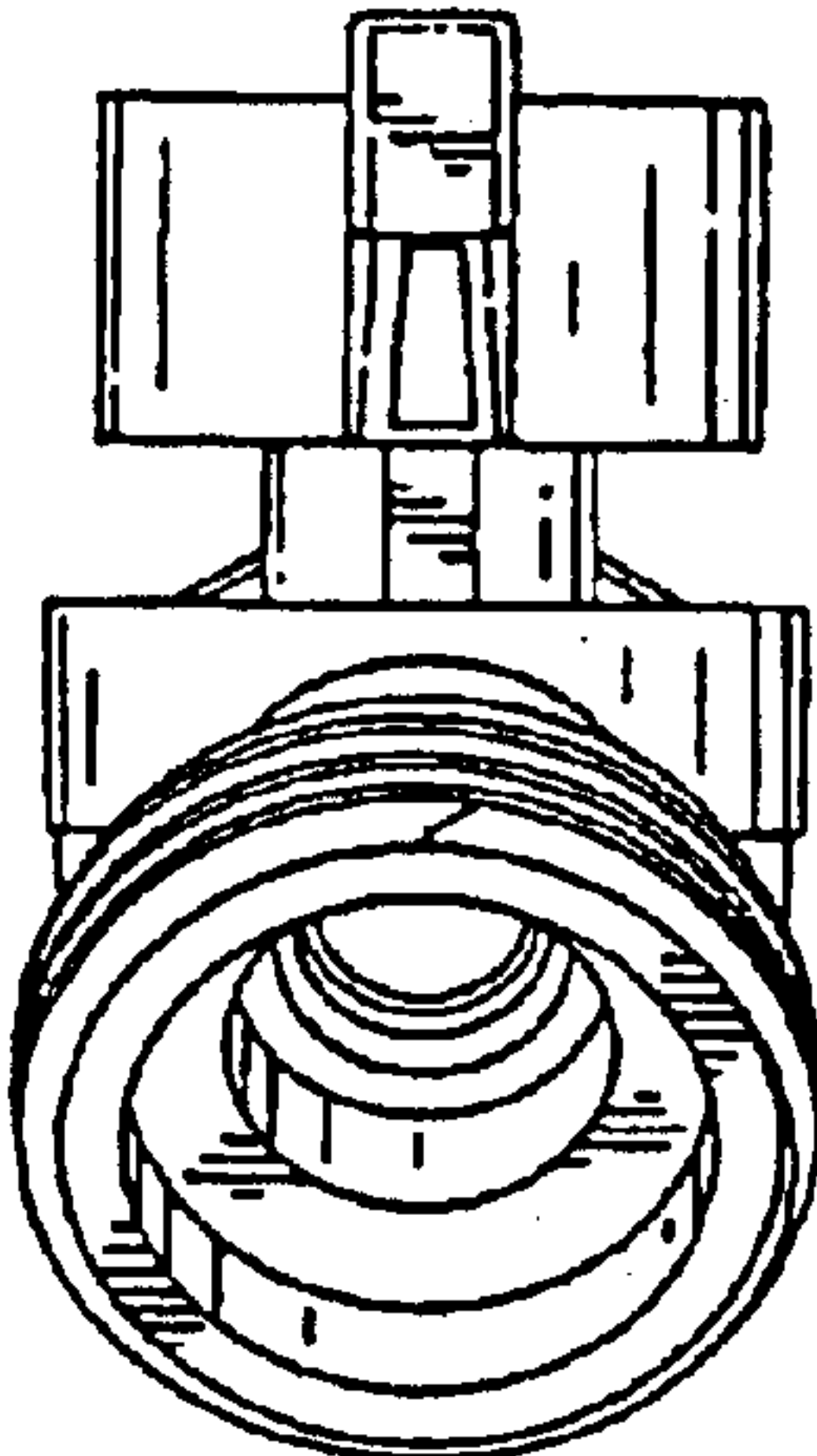


Figure 3

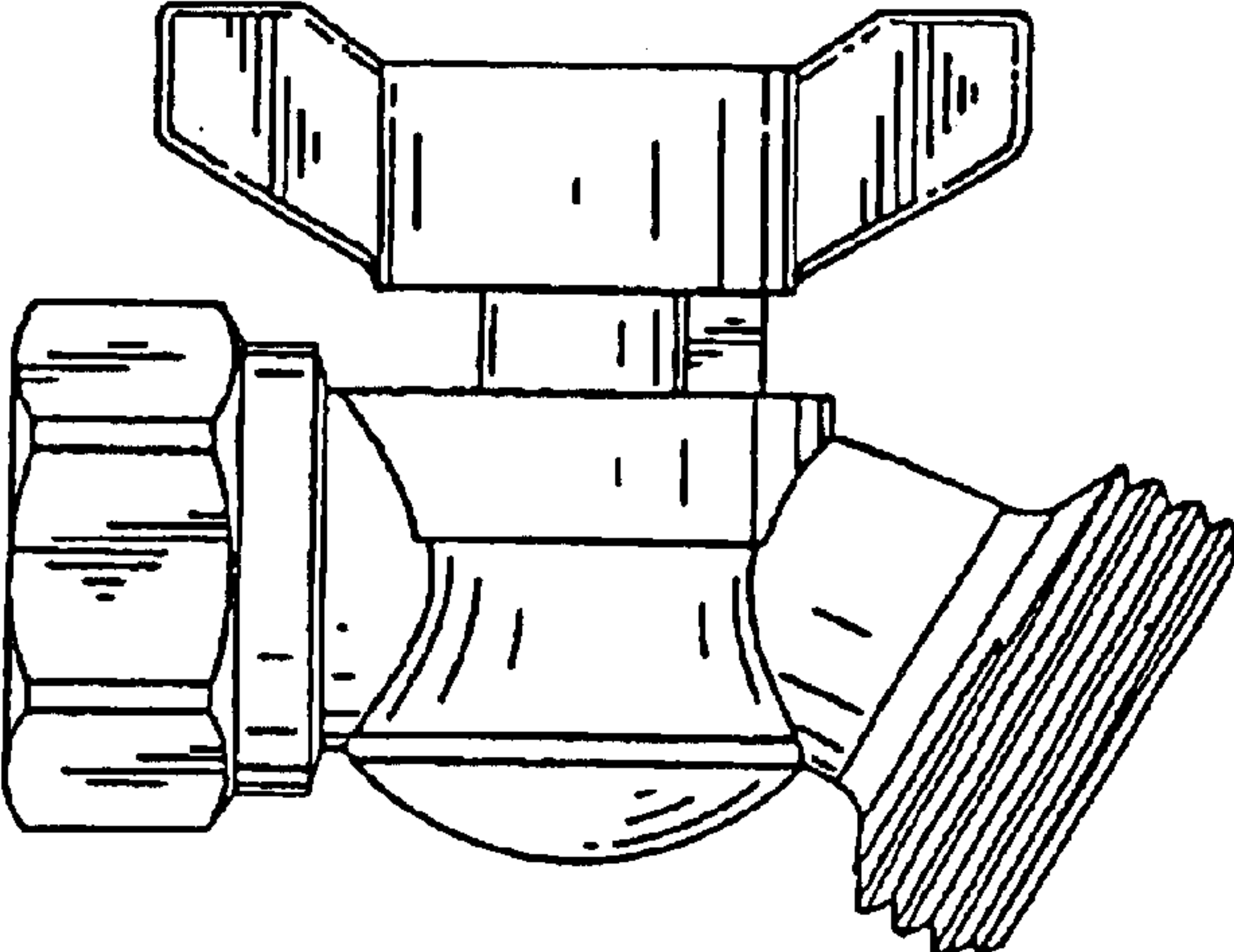


Figure 4

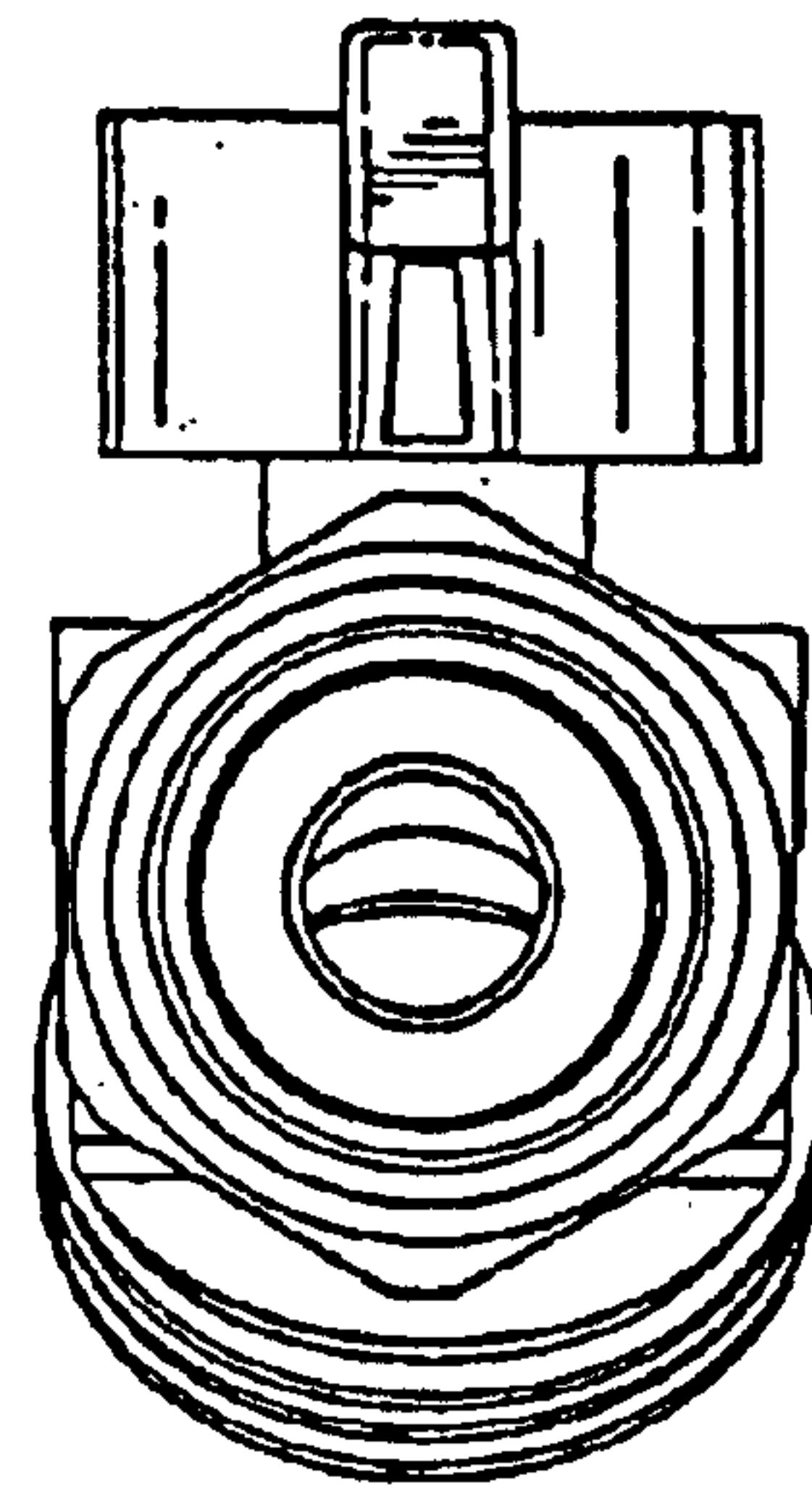


Figure 5

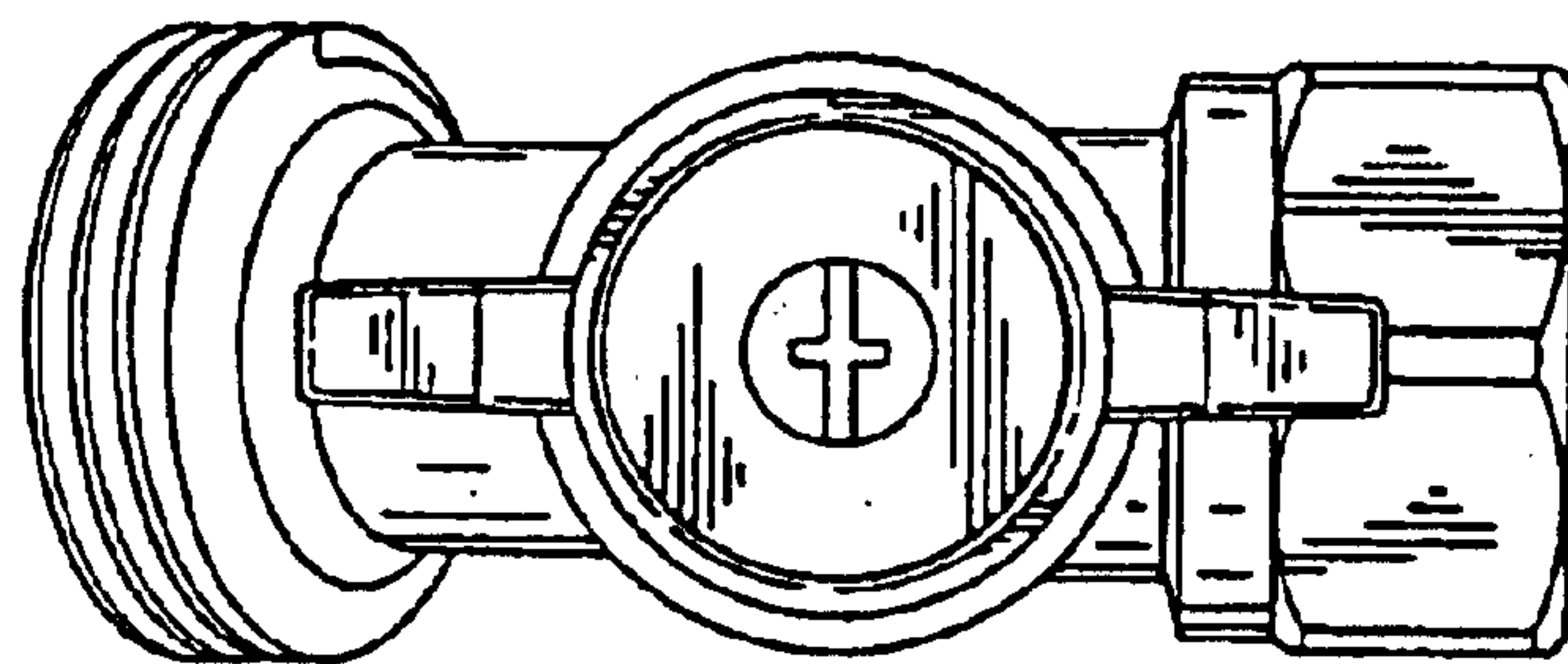


Figure 6

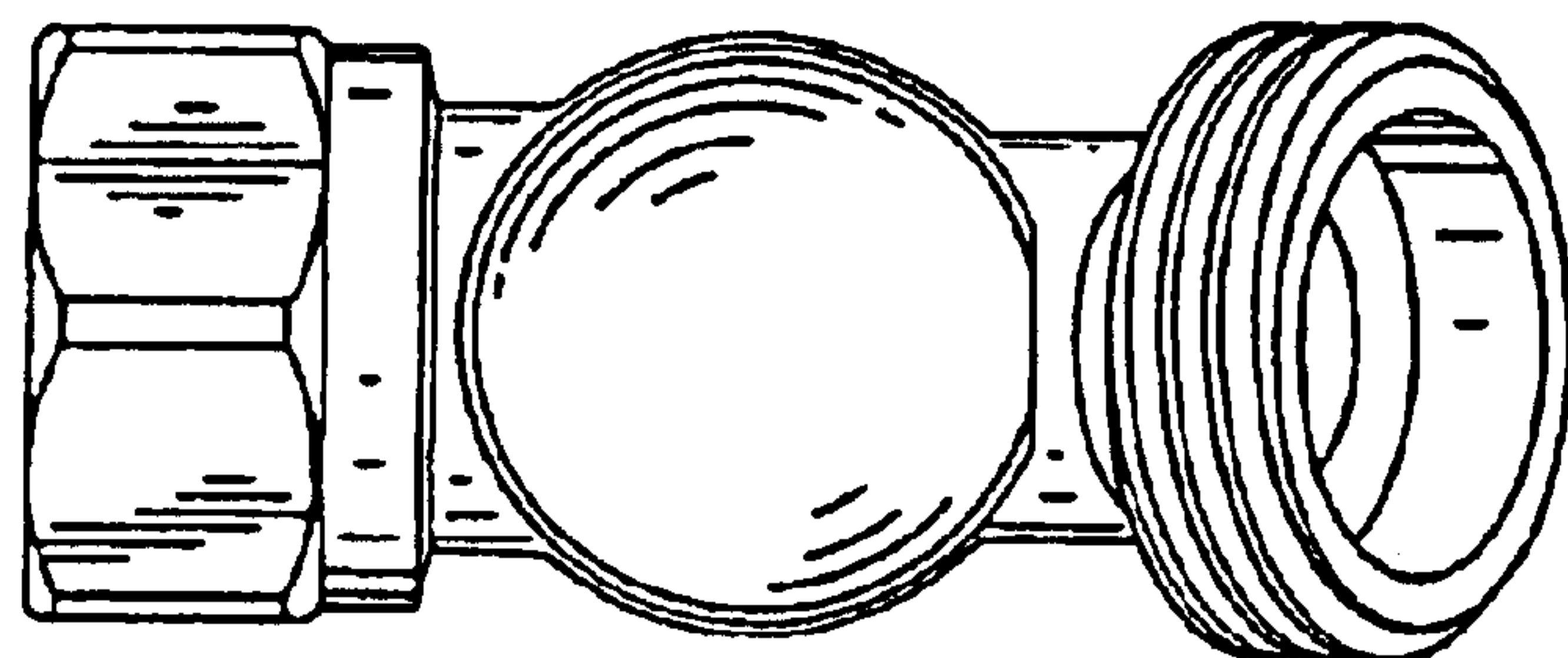


Figure 7

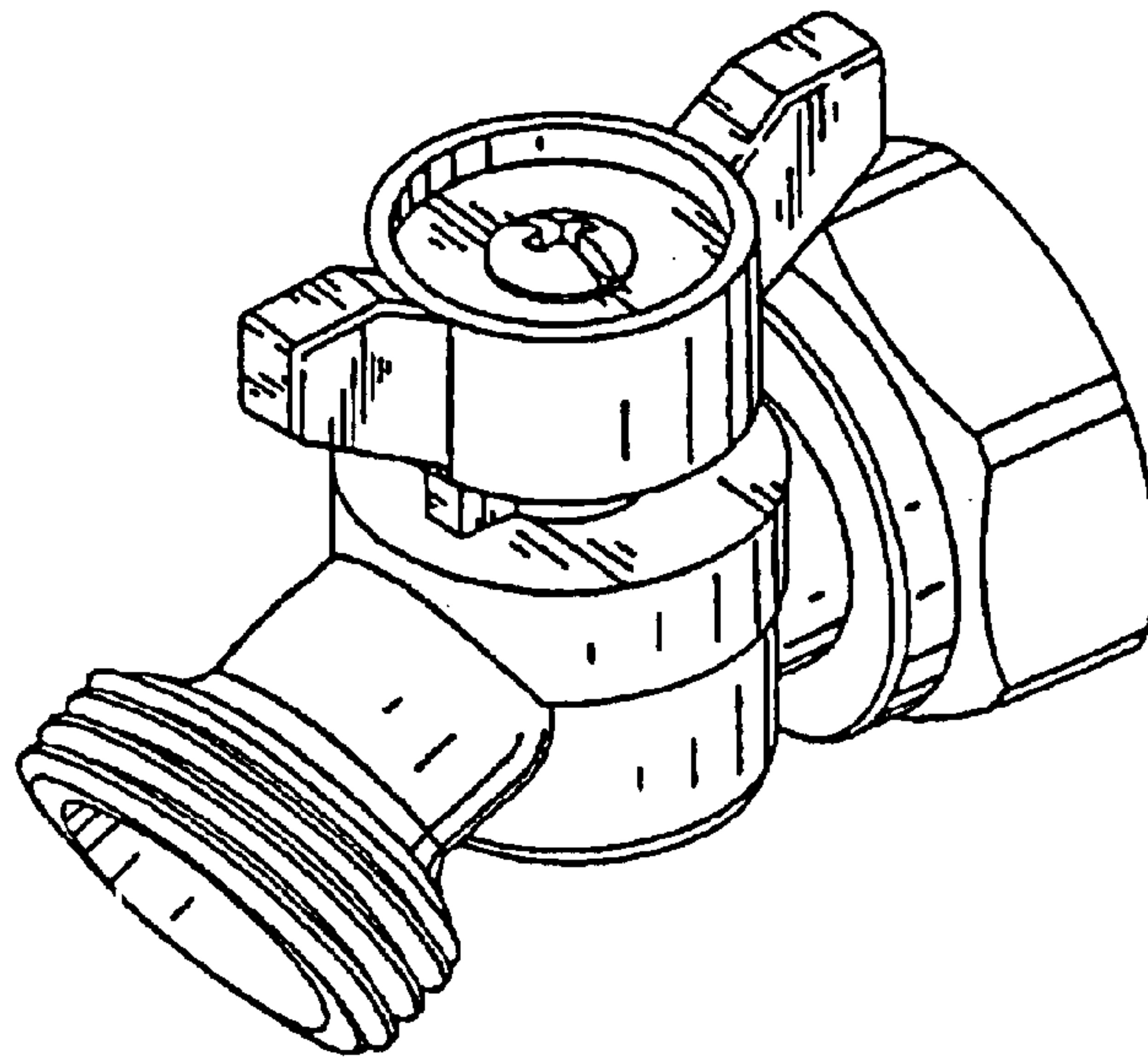


Figure 8

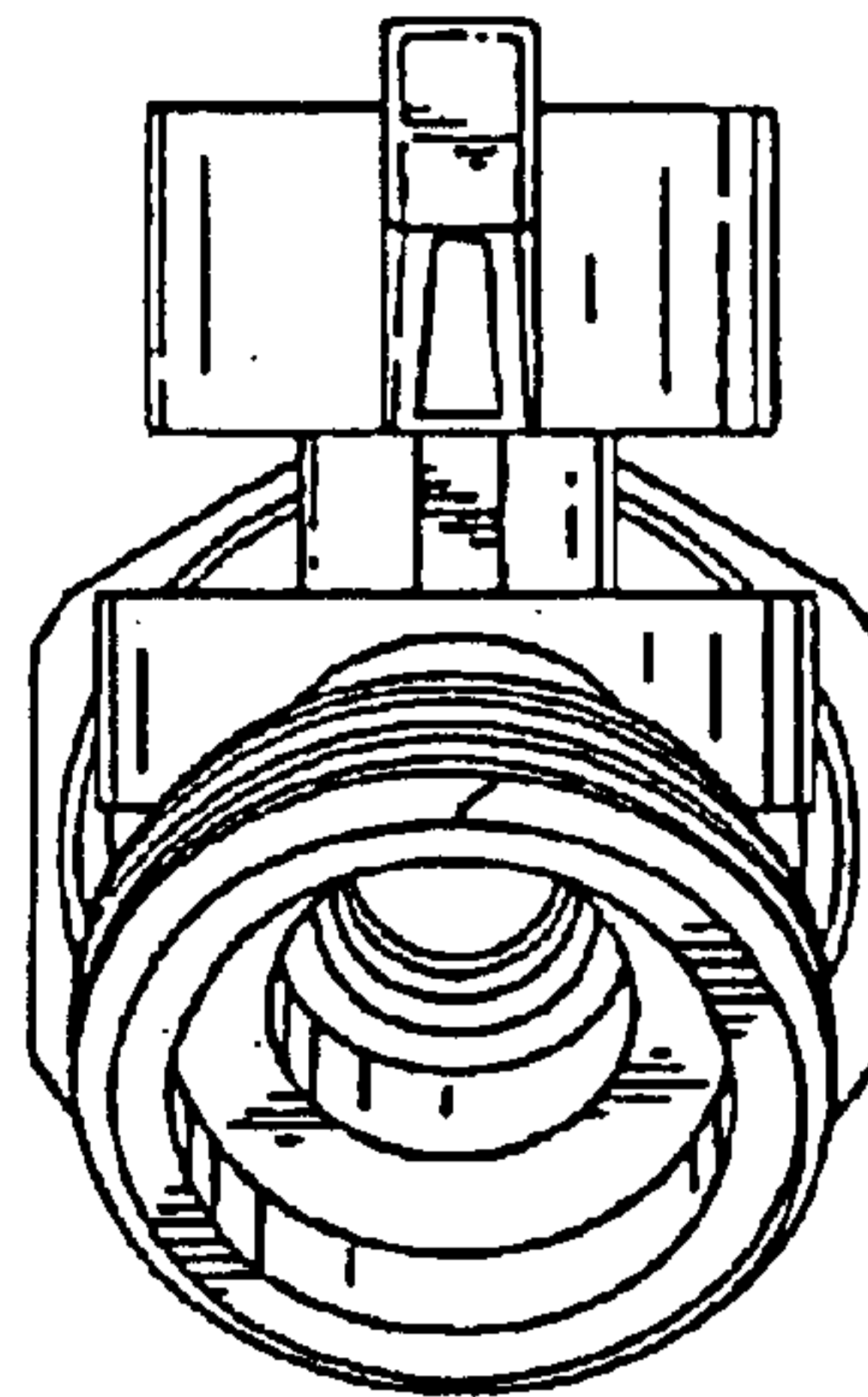


Figure 9

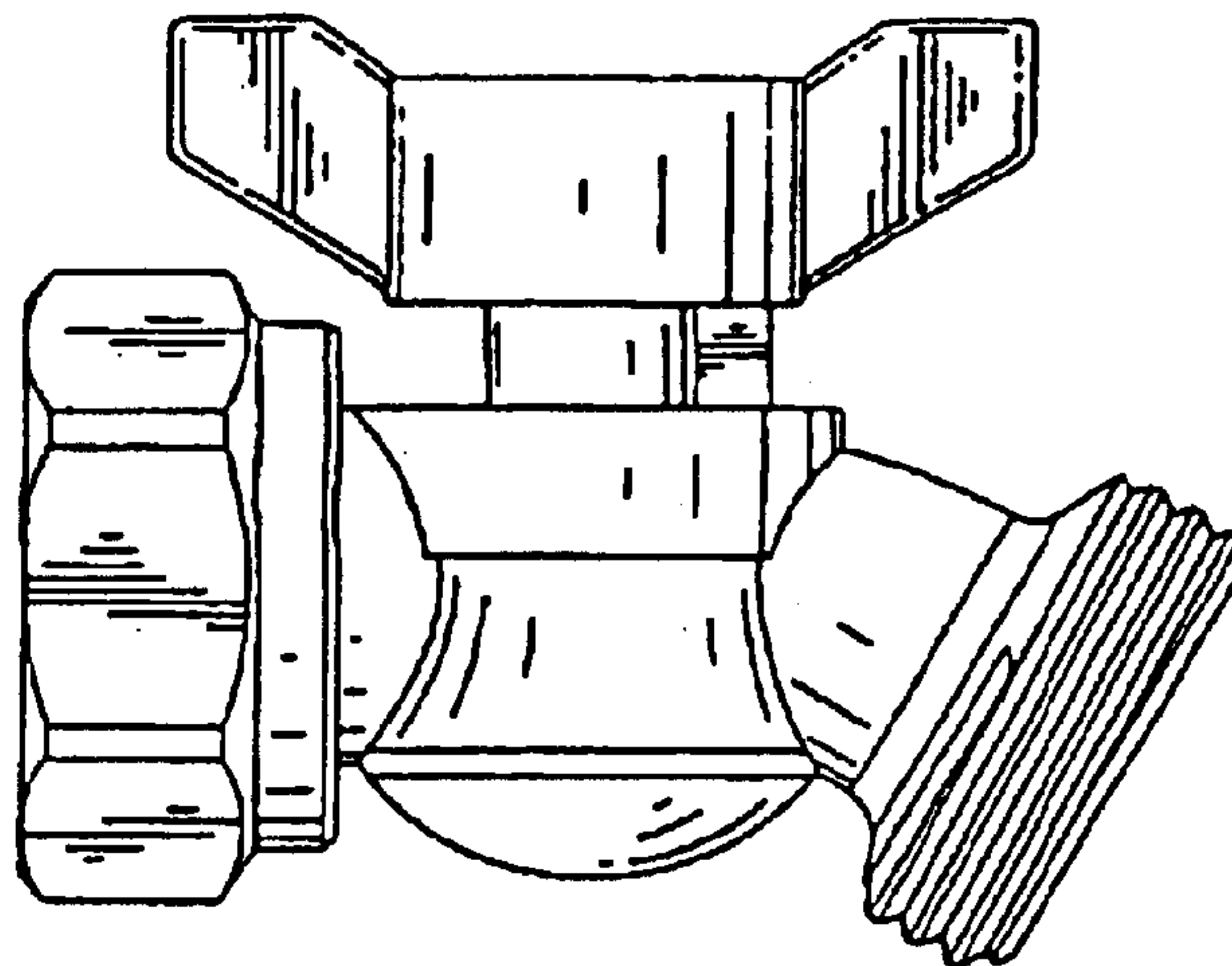


Figure 10

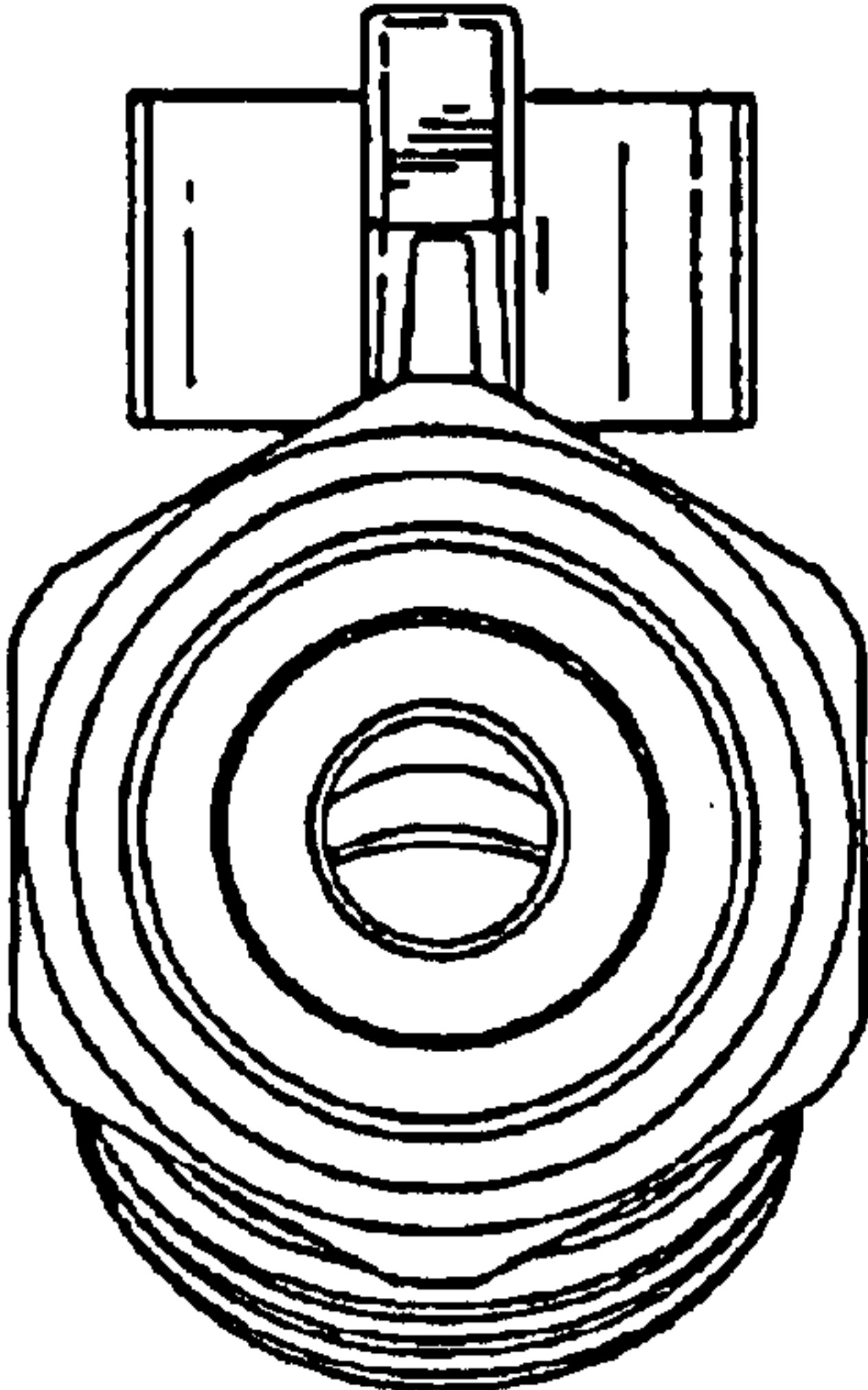


Figure 11

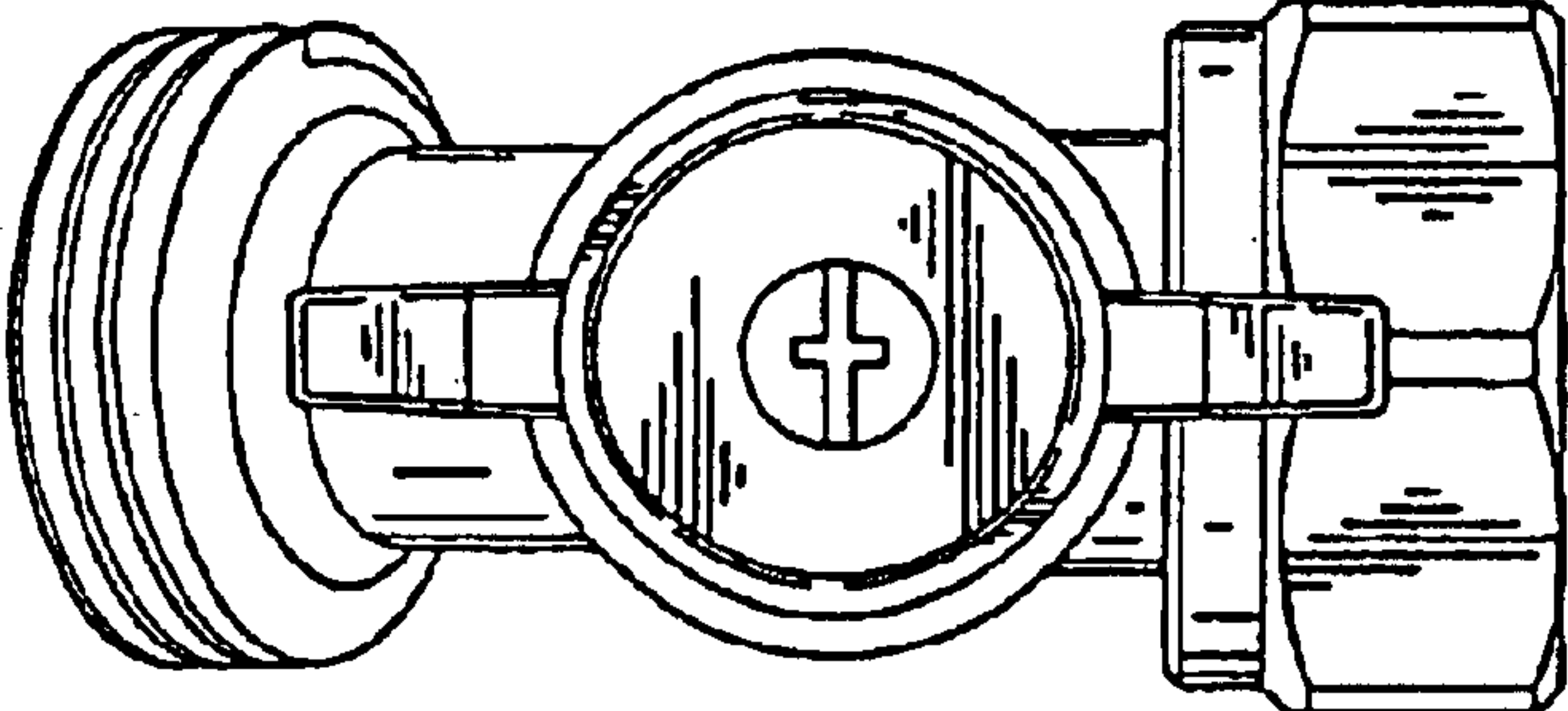
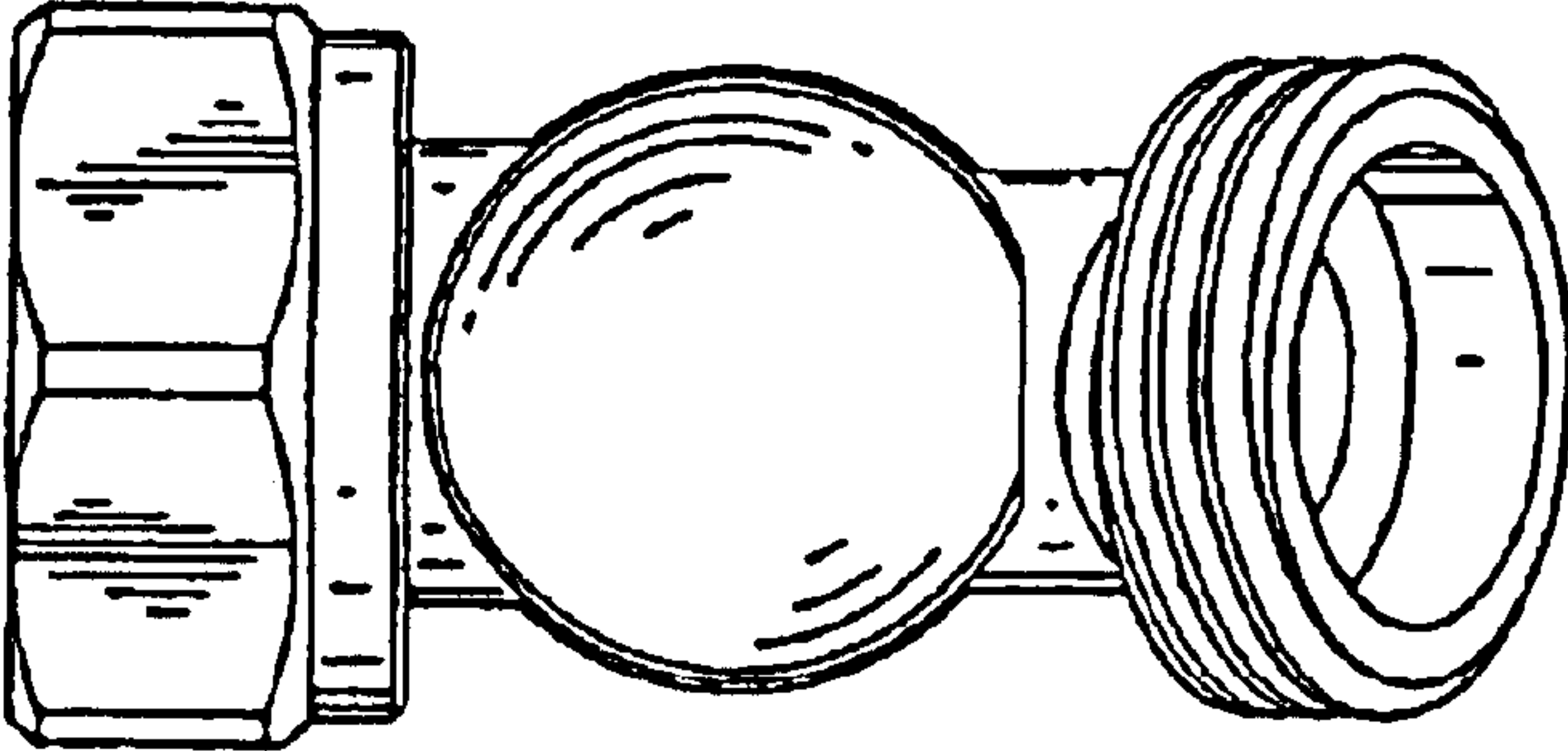


Figure 12



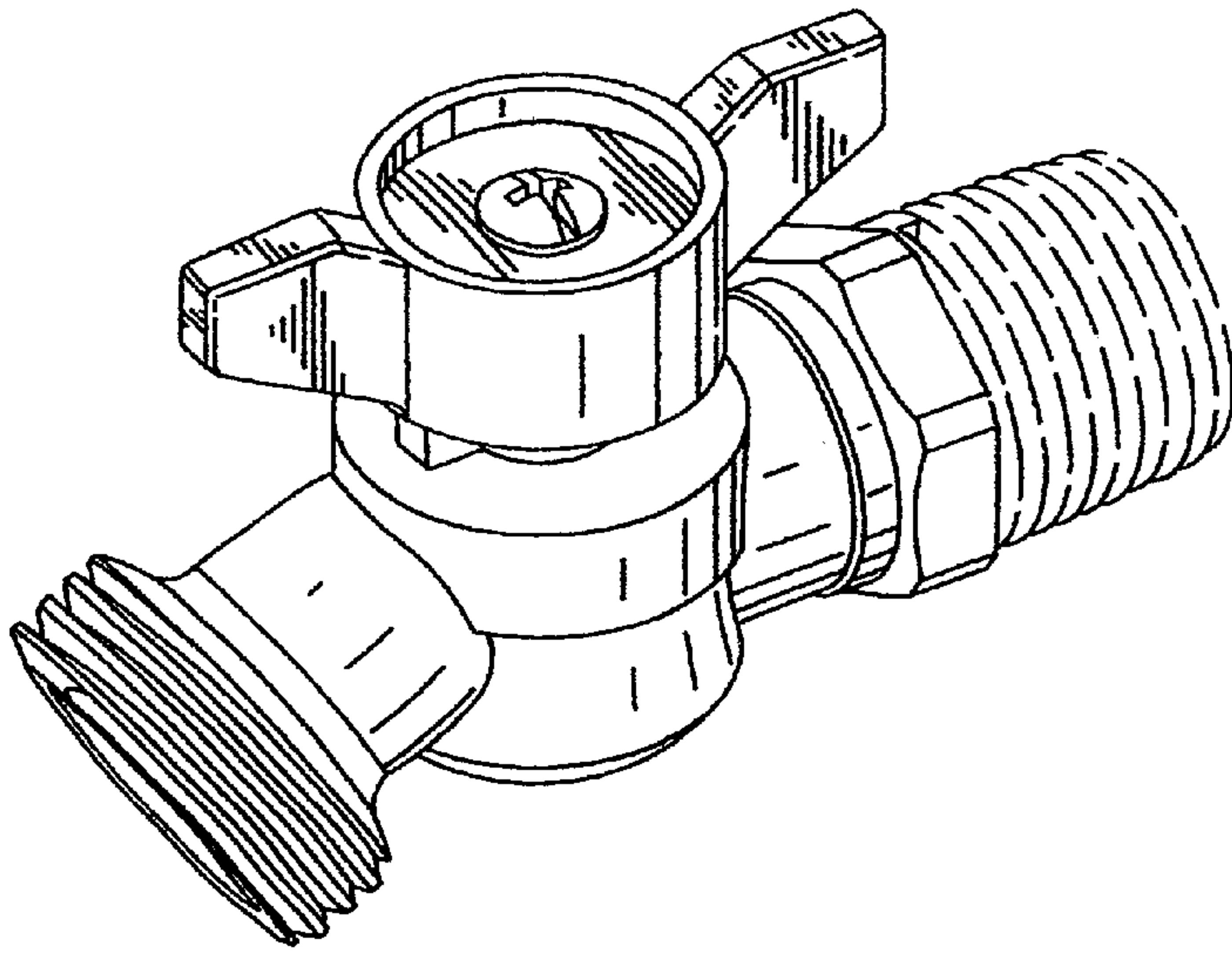


Figure 13

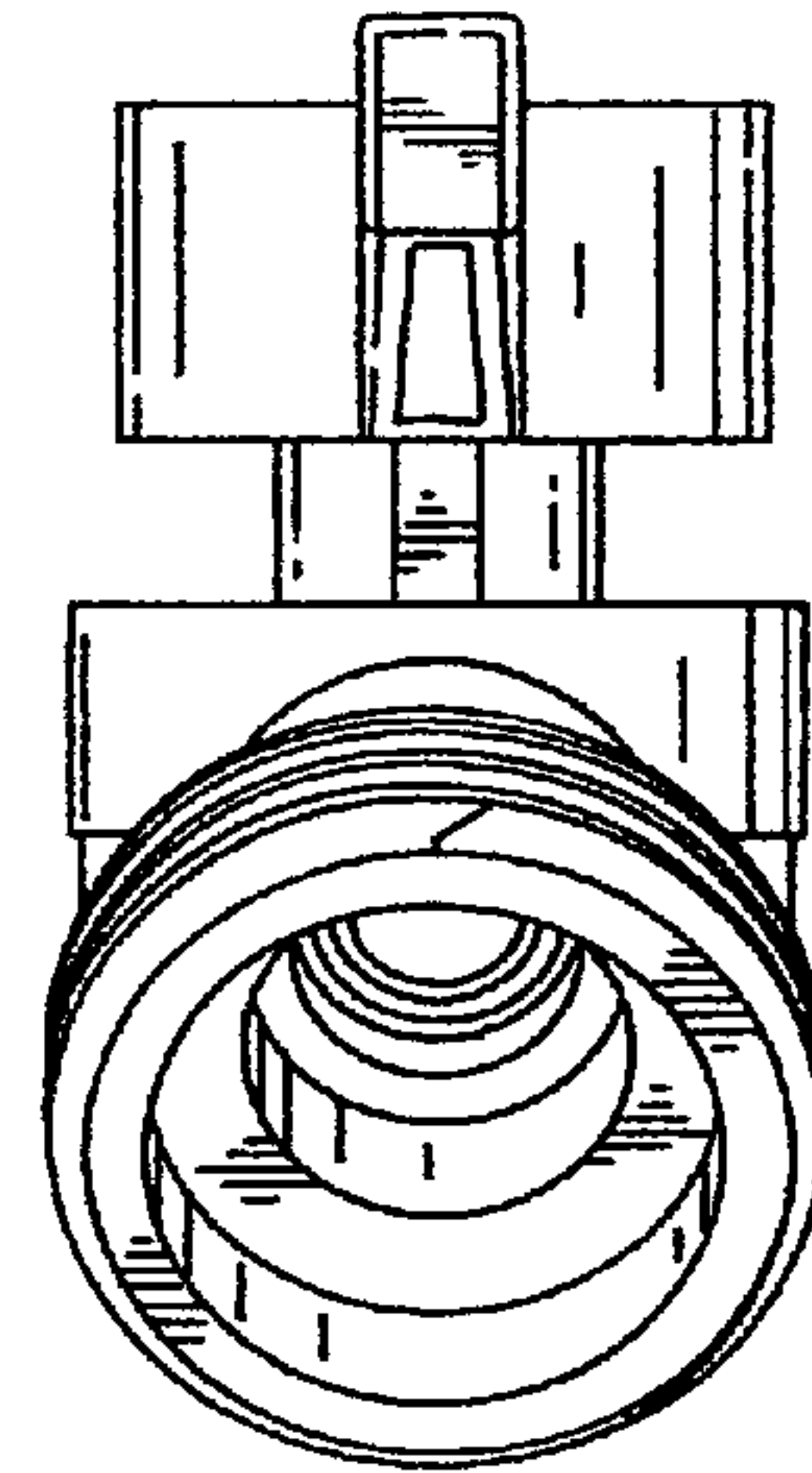


Figure 14

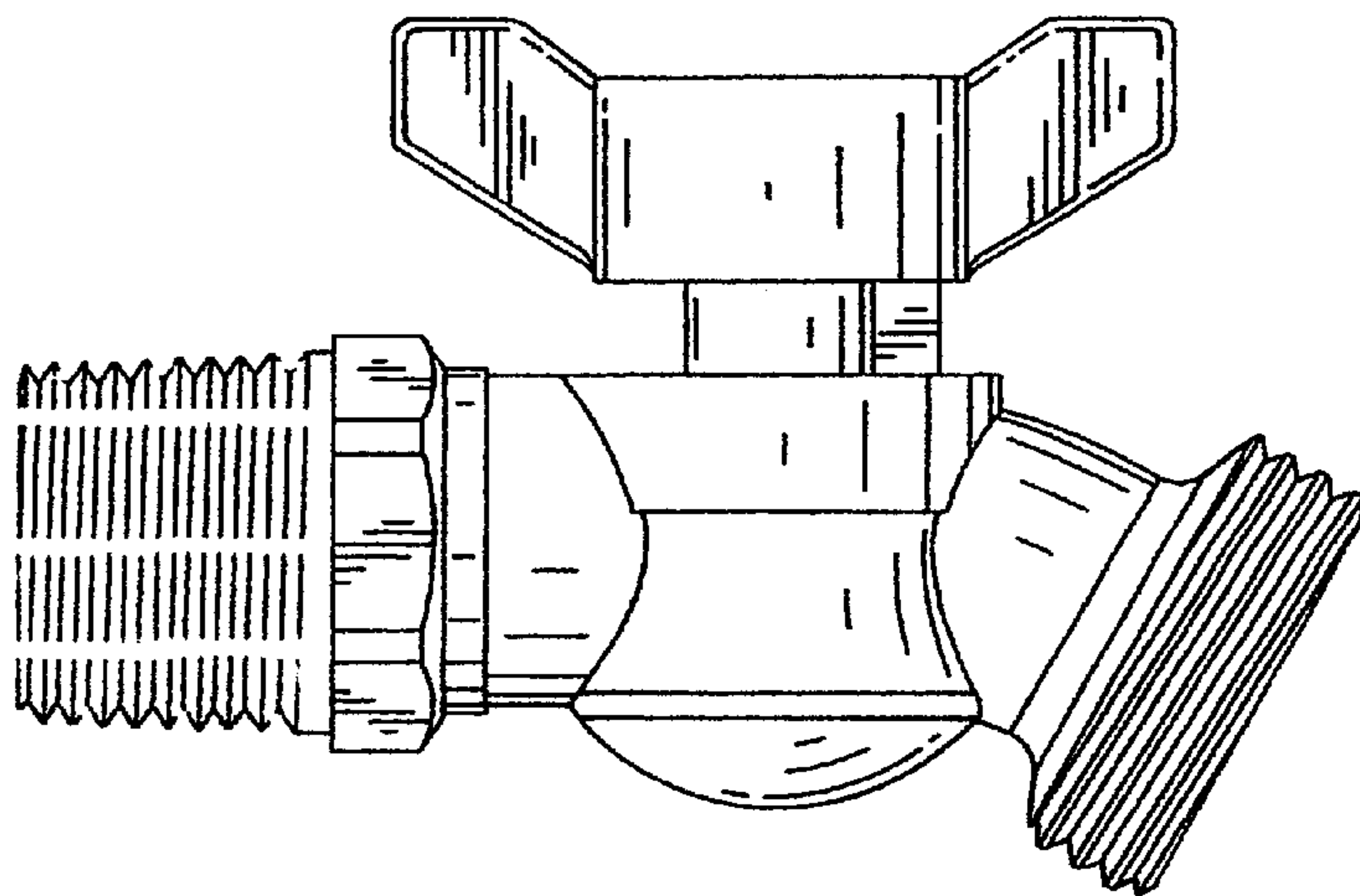
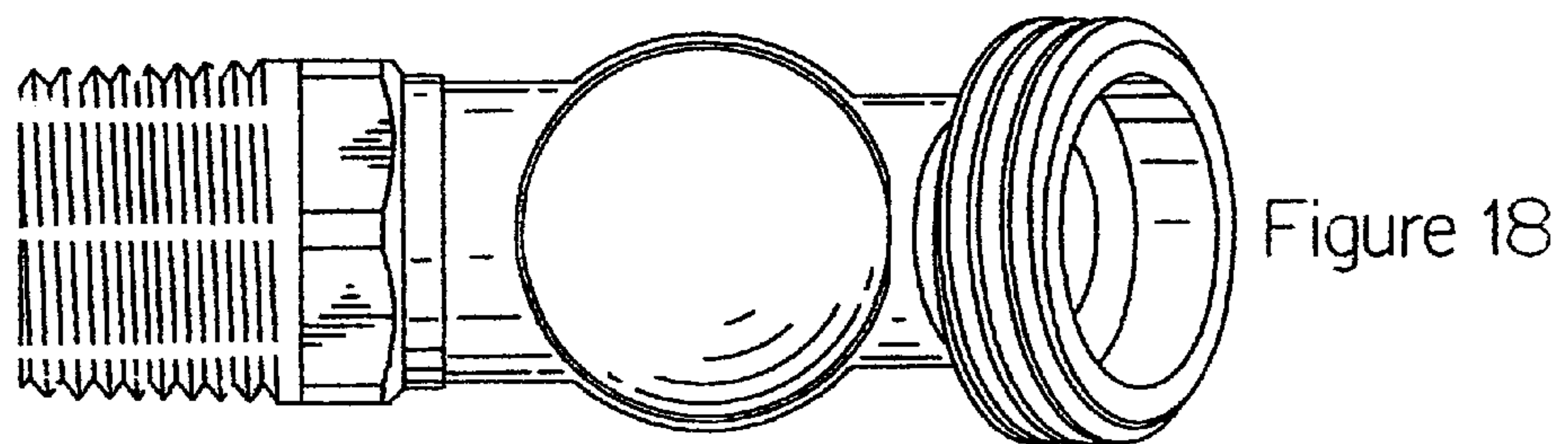
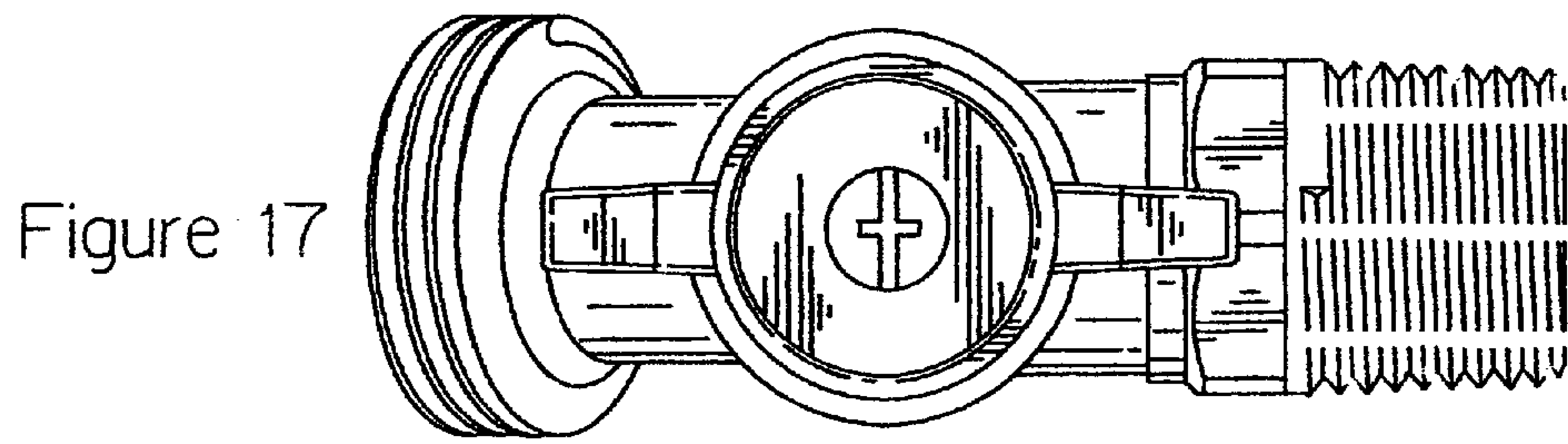
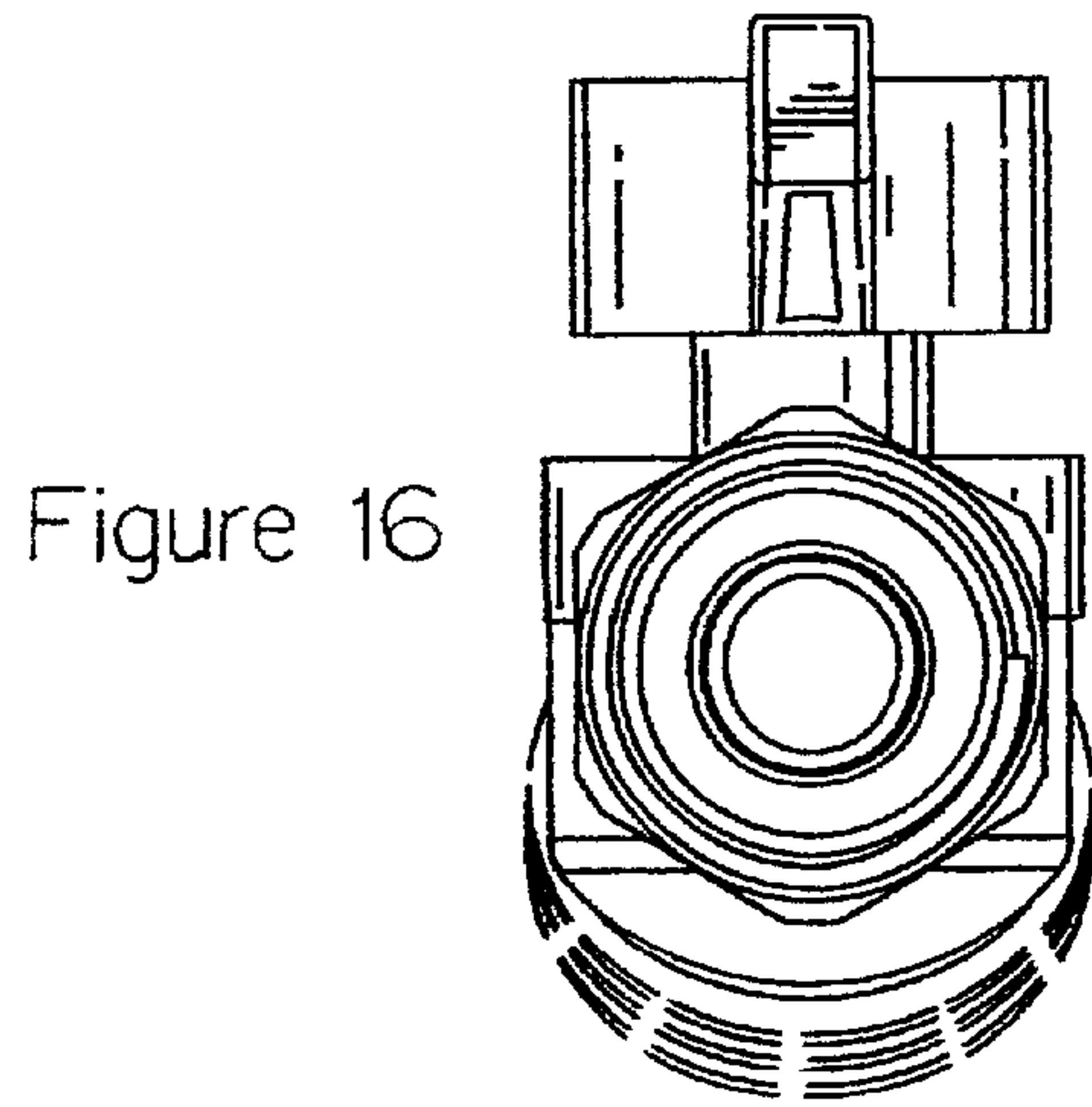


Figure 15



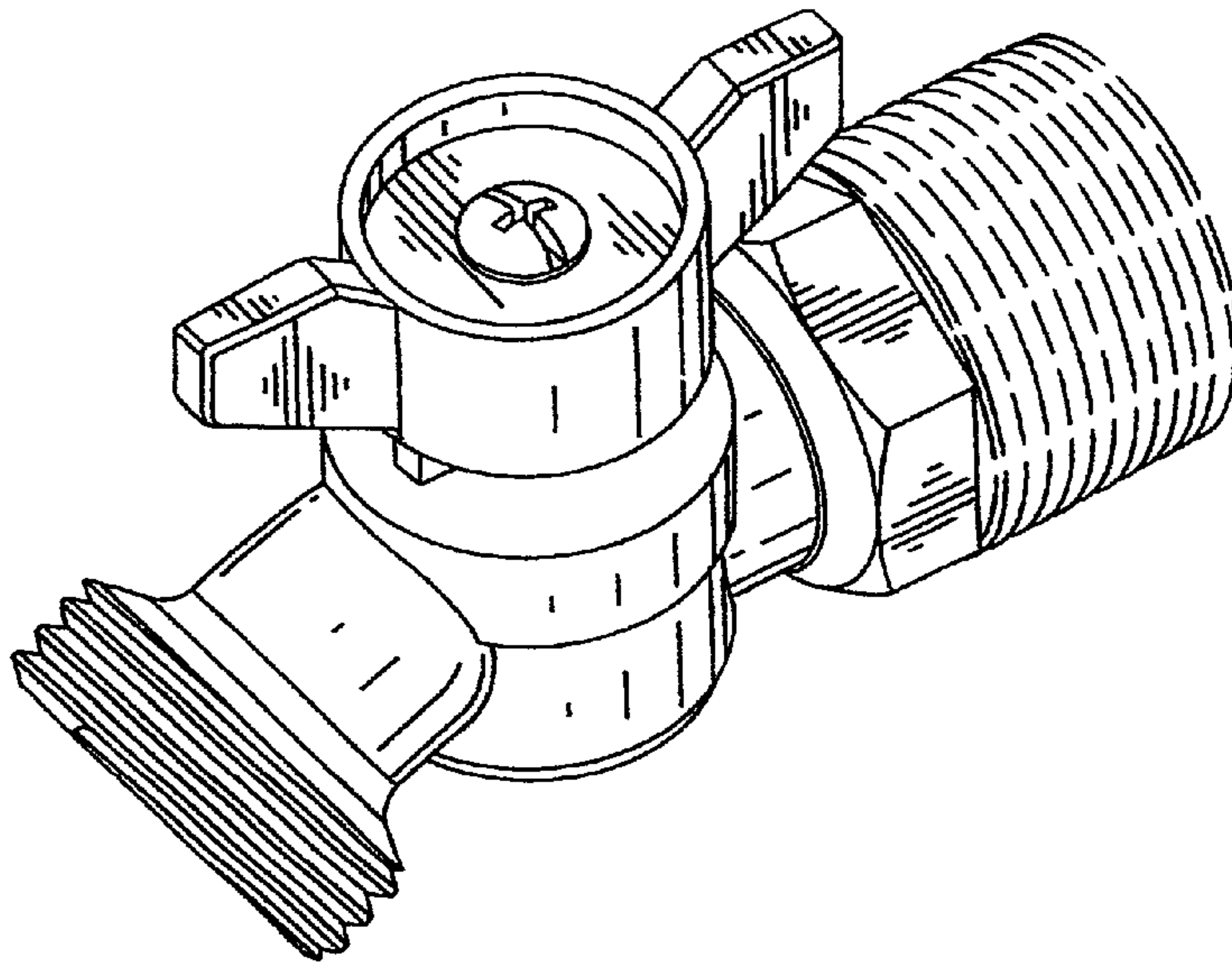


Figure 19

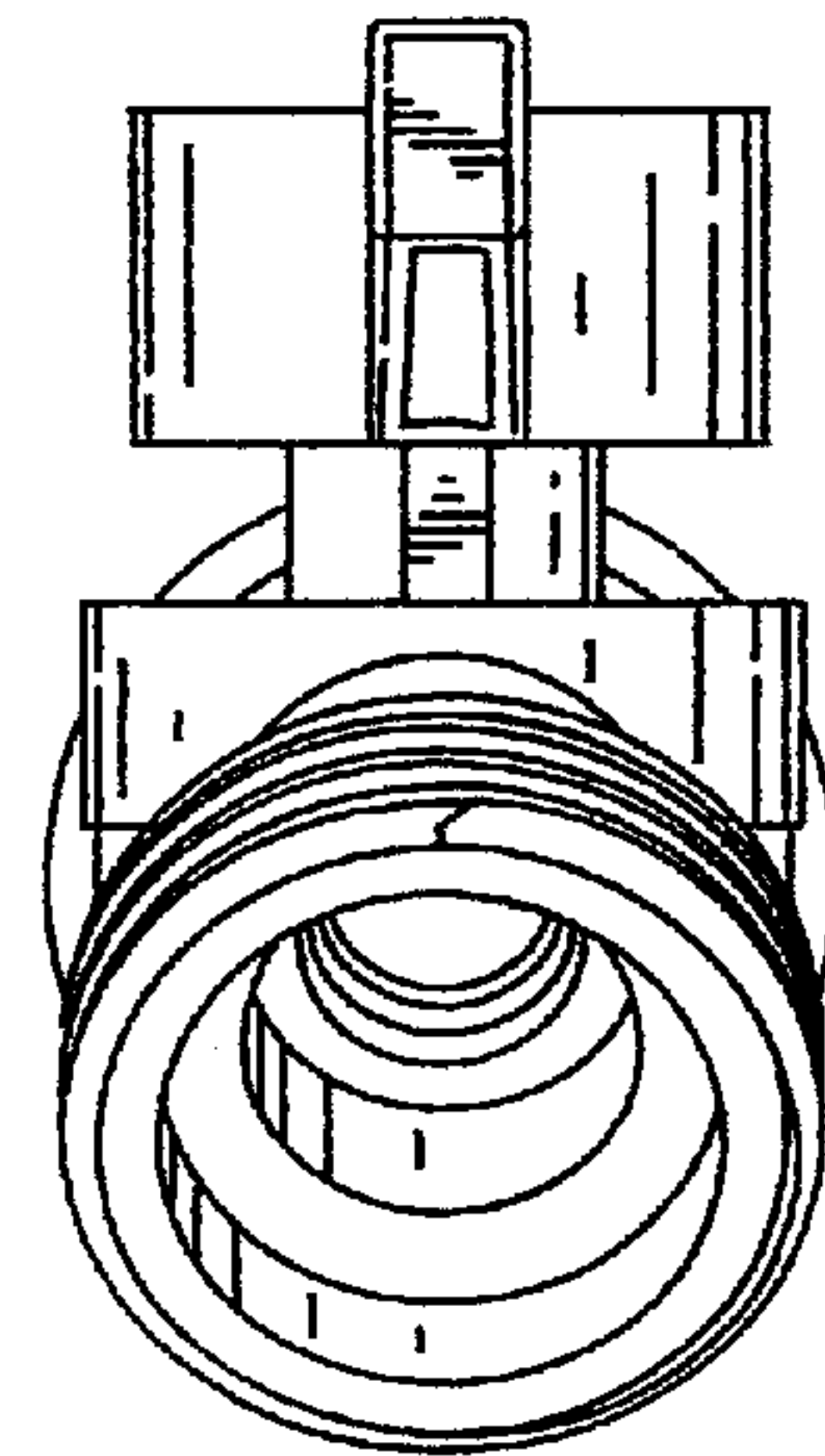


Figure 20

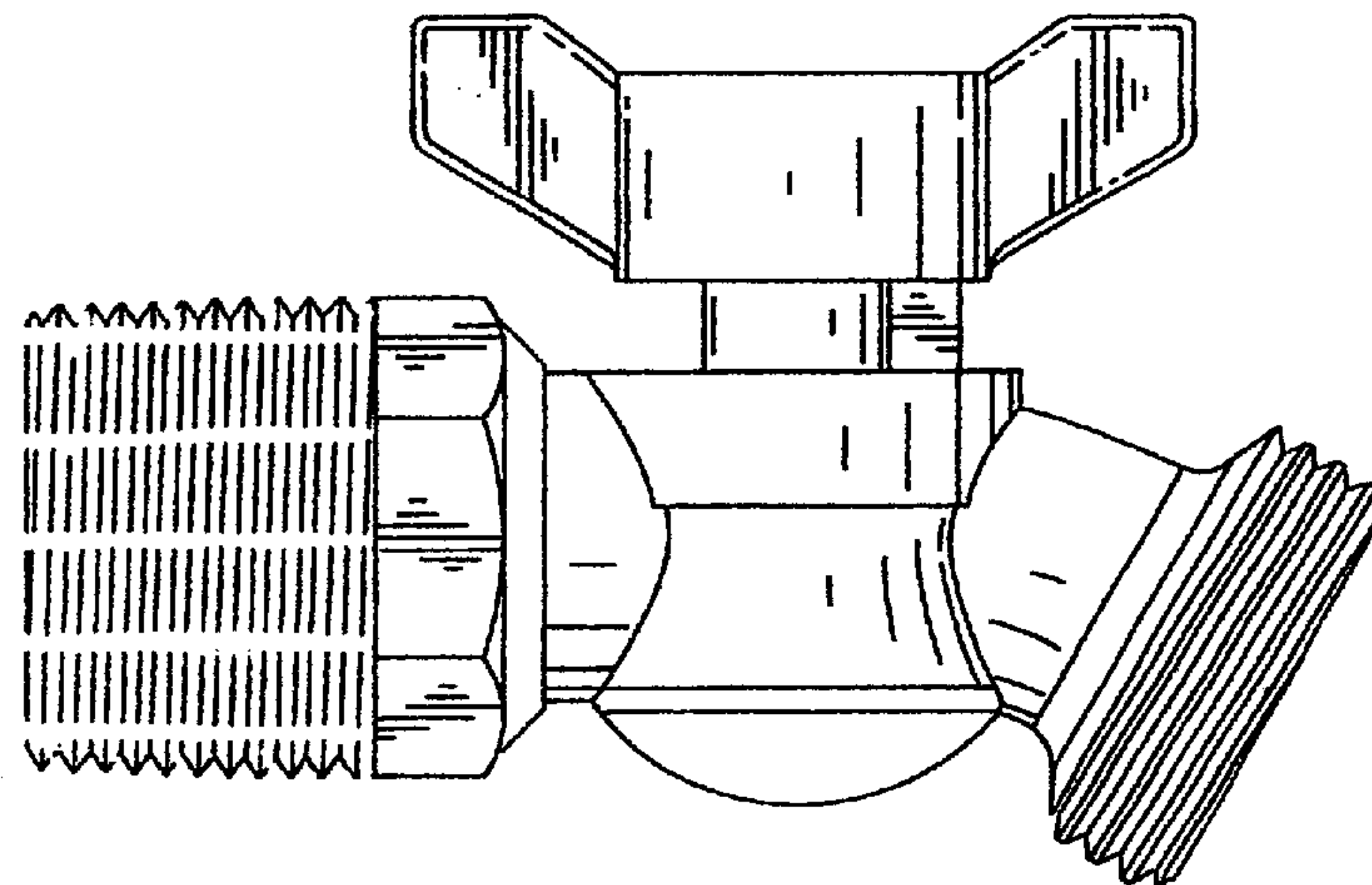


Figure 21

