

US00D499170S

(12) **United States Design Patent**
Park

(10) **Patent No.:** **US D499,170 S**

(45) **Date of Patent:** **** Nov. 30, 2004**

(54) **UPPER HOUSING FOR A WATER
TREATMENT SYSTEM CONTROL VALVE**

5,490,932 A * 2/1996 Hansen et al. 210/541
6,189,556 B1 * 2/2001 Blake et al. 137/119.07
6,214,214 B1 * 4/2001 Hansen et al. 210/106

(75) **Inventor:** **Stuart Park**, Burton, OH (US)

* cited by examiner

(73) **Assignee:** **Kinetico Incorporated**, Newbury, OH (US)

Primary Examiner—Nelson C. Holtje

(74) *Attorney, Agent, or Firm*—Watts Hoffmann Co.

(**) **Term:** **14 Years**

(57) **CLAIM**

(21) **Appl. No.:** **29/170,001**

I claim the ornamental design for an upper housing for a water treatment system control valve, as shown and described.

(22) **Filed:** **Oct. 30, 2002**

(51) **LOC (7) Cl.** **23-01**

(52) **U.S. Cl.** **D23/233**

(58) **Field of Search** D23/233–249;
137/624.14, 624.18, 625.46, 554, 557, 119.06;
210/87–88, 98, 190–192, 288, 104–106,
662, 541.7; 251/30.05

DESCRIPTION

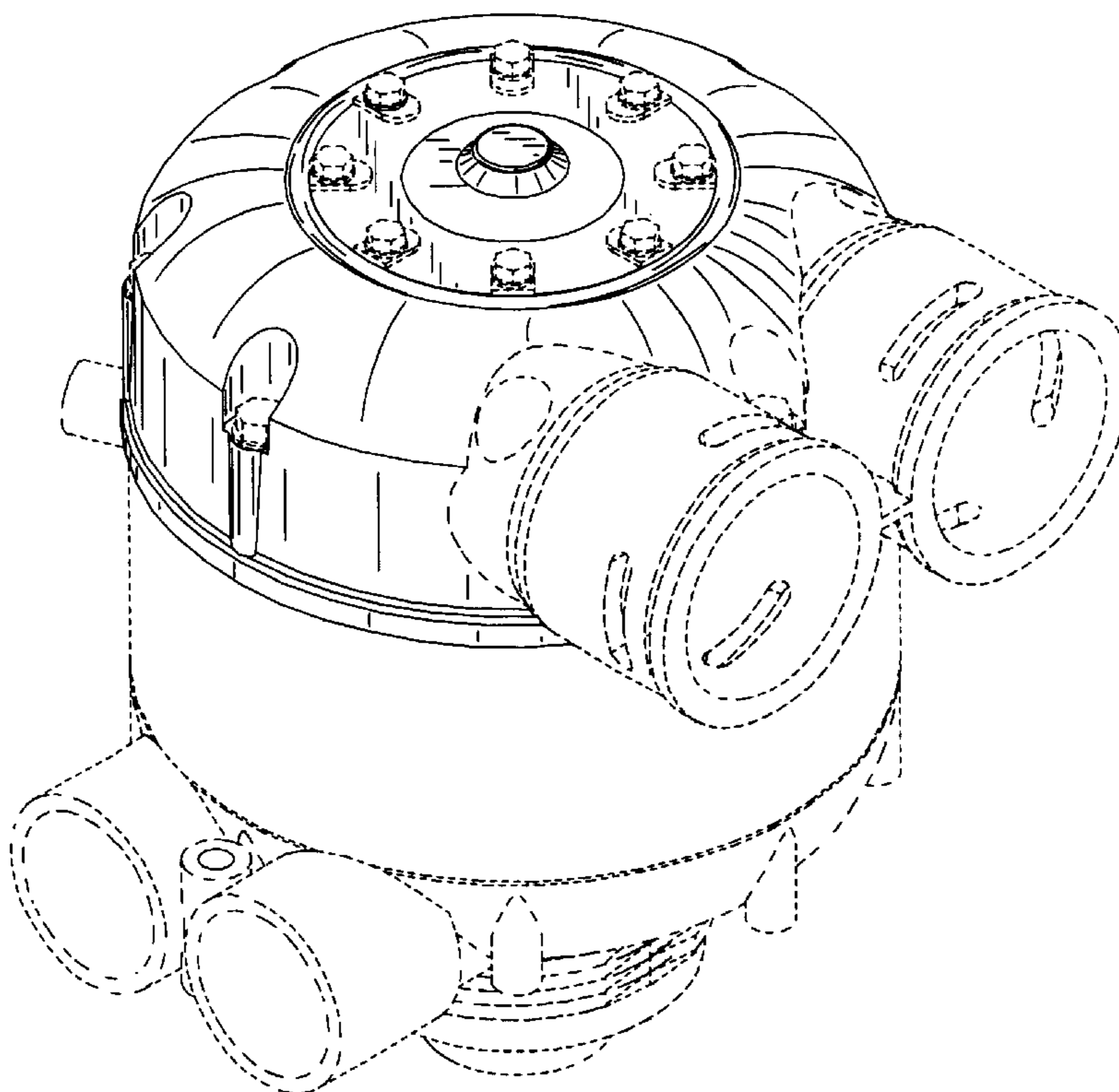
FIG. 1 is a perspective view of an upper housing for a water treatment system control valve of the present invention (the broken lines in FIGS. 1–7 are for illustrative purposes only and do not form part of the invention shown in FIGS. 1–7); FIG. 2 is a top plan view of the housing shown in FIG. 1; FIG. 3 is a side elevational view of the housing as seen from the plane indicated by the line 3–3 in FIG. 2; FIG. 4 is a side elevational view of the housing as seen from the plane indicated by the line 4–4 in FIG. 2; FIG. 5 is a bottom view of the housing as shown in FIG. 1; FIG. 6 is a side elevational view of the housing as seen from the plane indicated by the line 6–6 in FIG. 2; and, FIG. 7 is a side elevational view of the housing as seen from the plane indicated by the line 7–7 in FIG. 2.

(56) **References Cited**

U.S. PATENT DOCUMENTS

3,208,476 A * 9/1965 Clack 137/599.15
3,687,269 A * 8/1972 Fritz et al. 144/250.16
3,891,552 A * 6/1975 Prior et al. 210/88
4,298,025 A * 11/1981 Prior et al. 137/624.14
4,337,153 A 6/1982 Prior
4,427,549 A * 1/1984 Brown et al. 210/662
4,693,814 A 9/1987 Brown
5,022,994 A 6/1991 Avery et al.

1 Claim, 4 Drawing Sheets



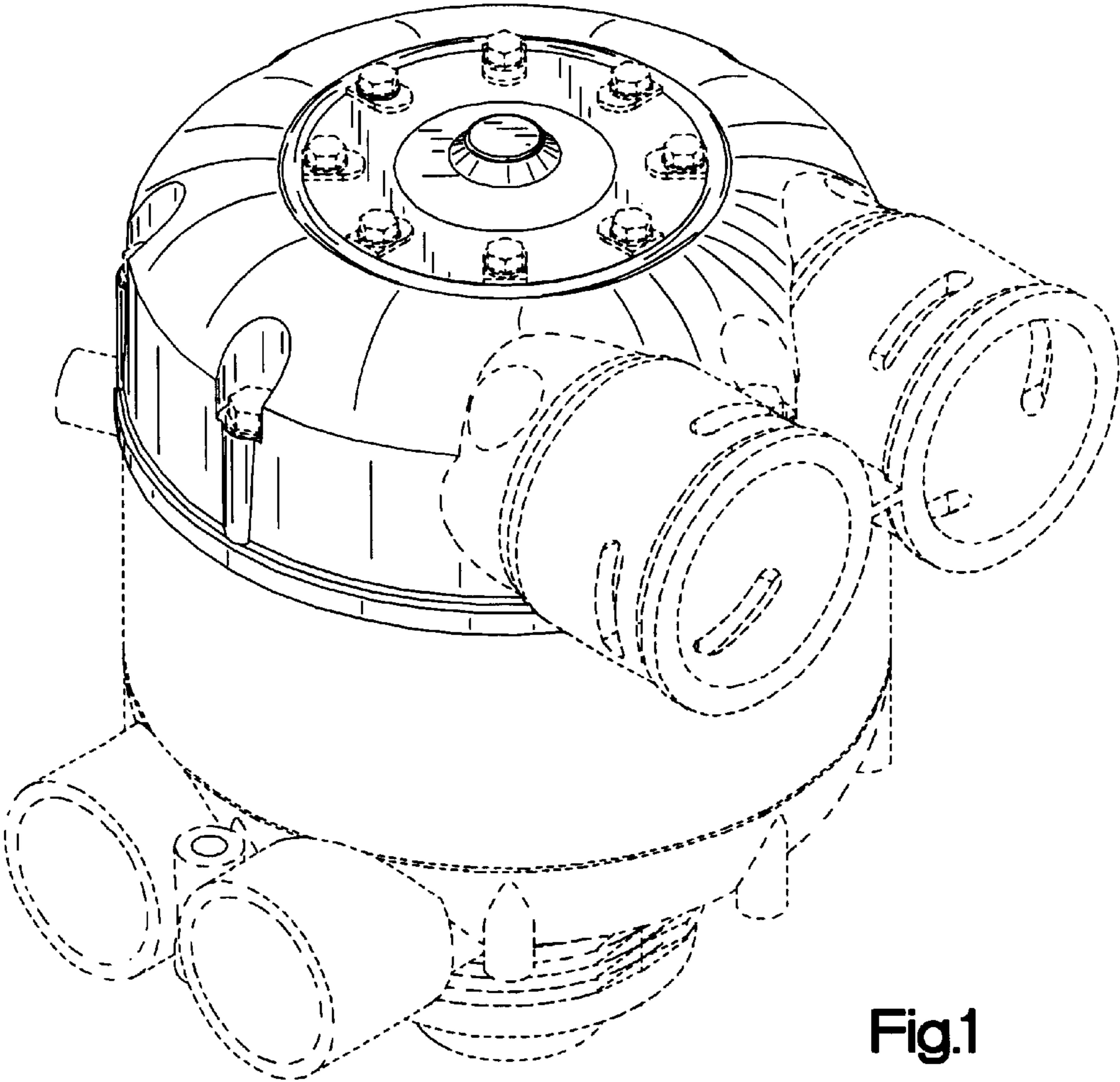
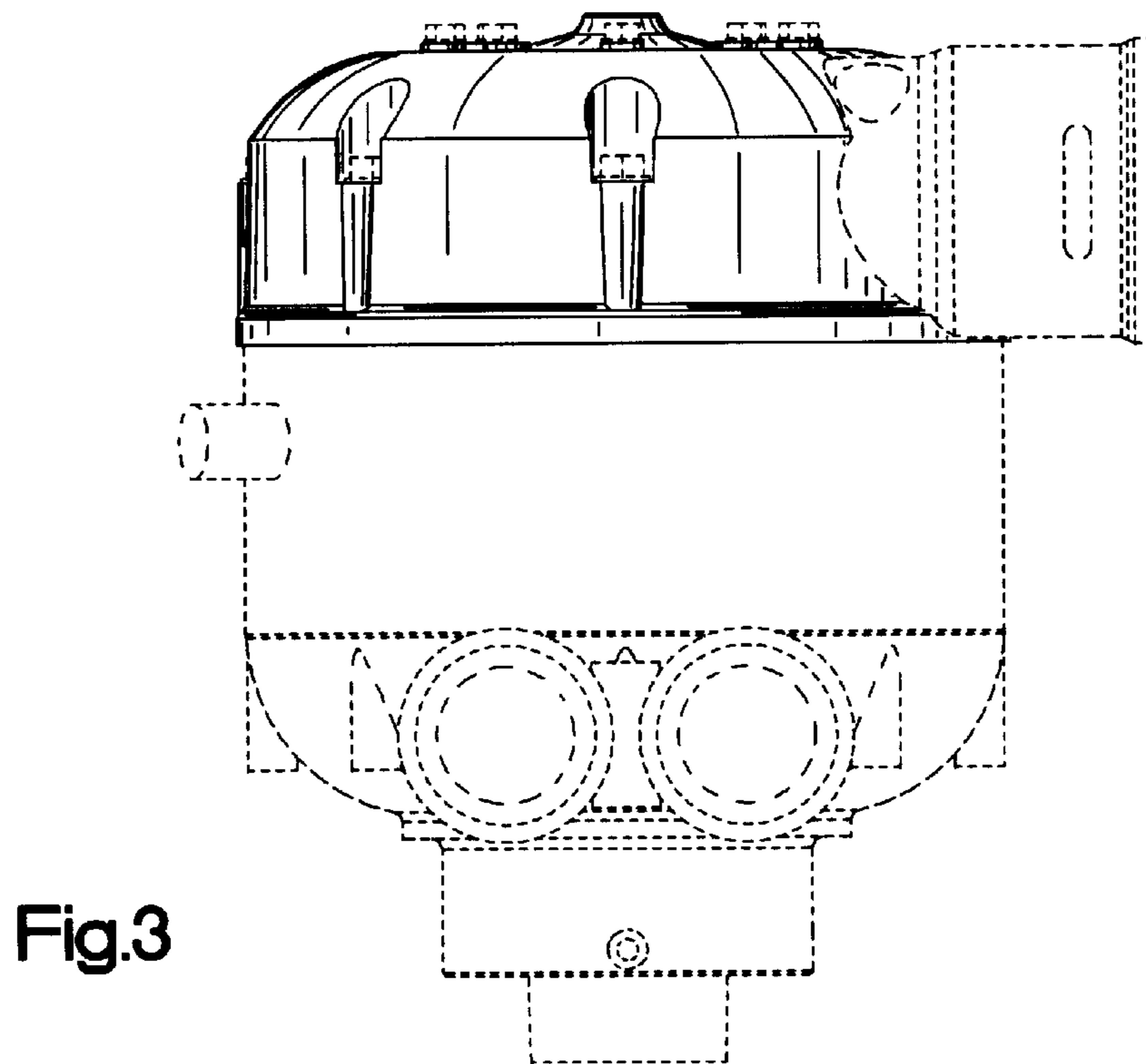
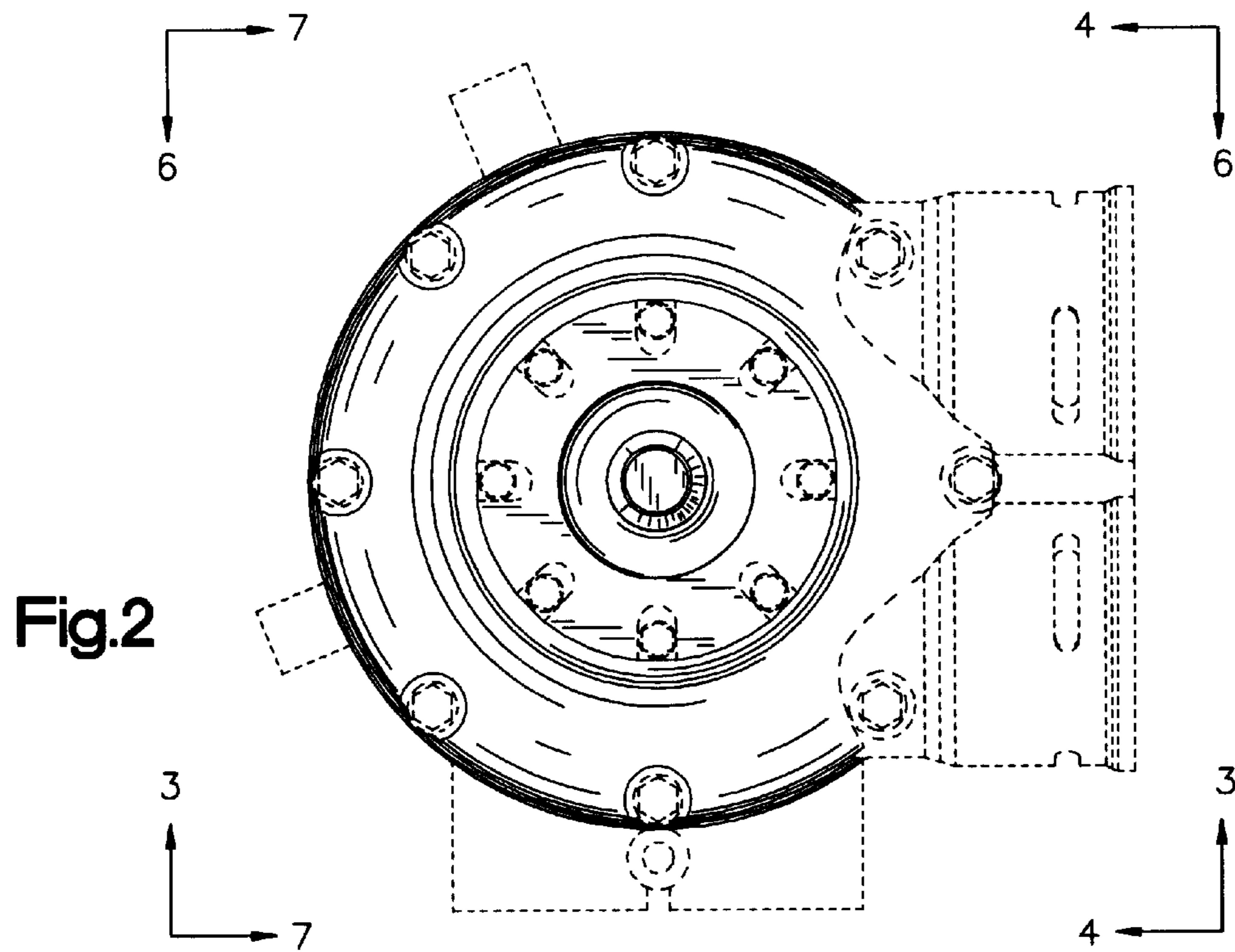


Fig.1



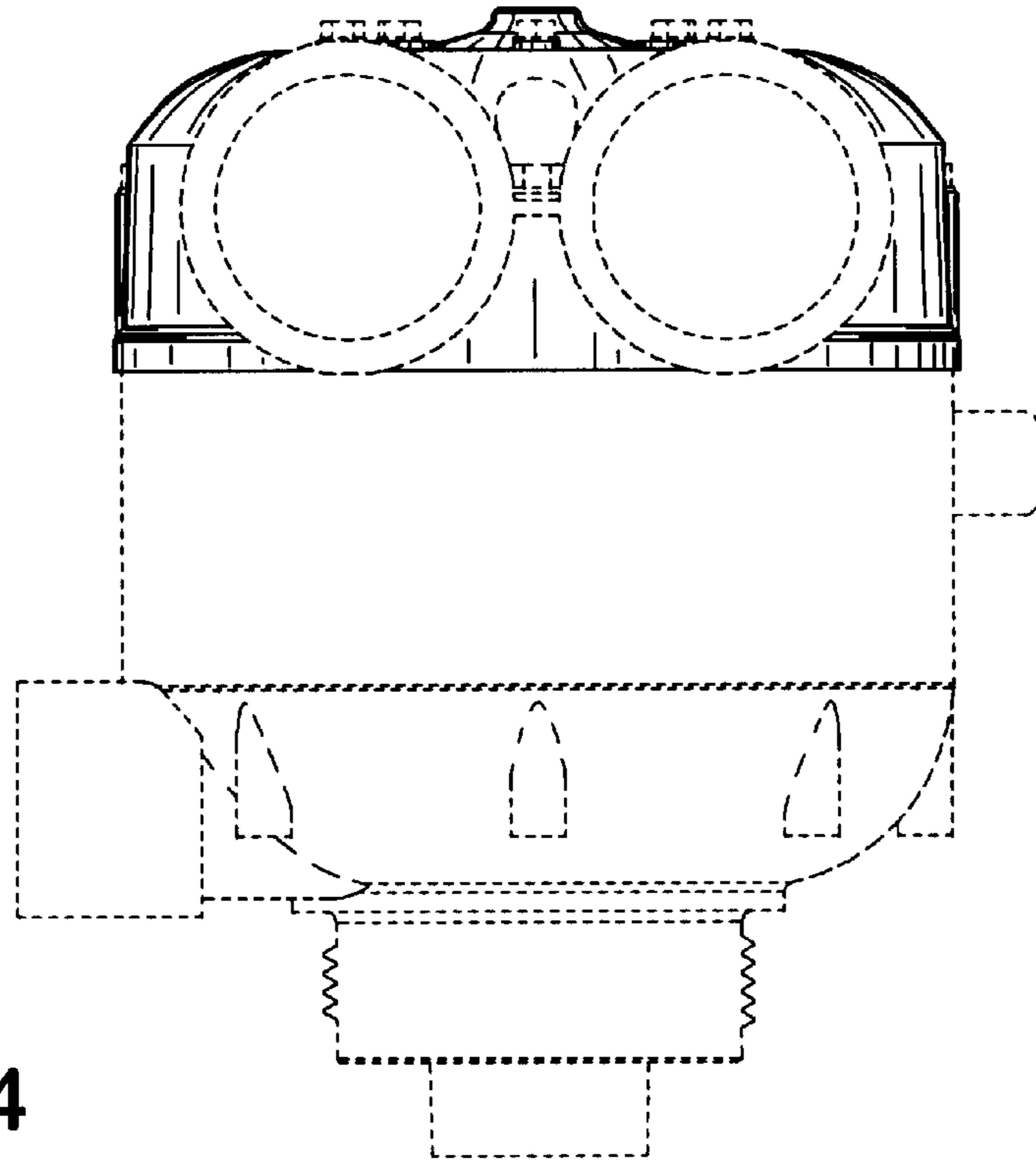


Fig.4

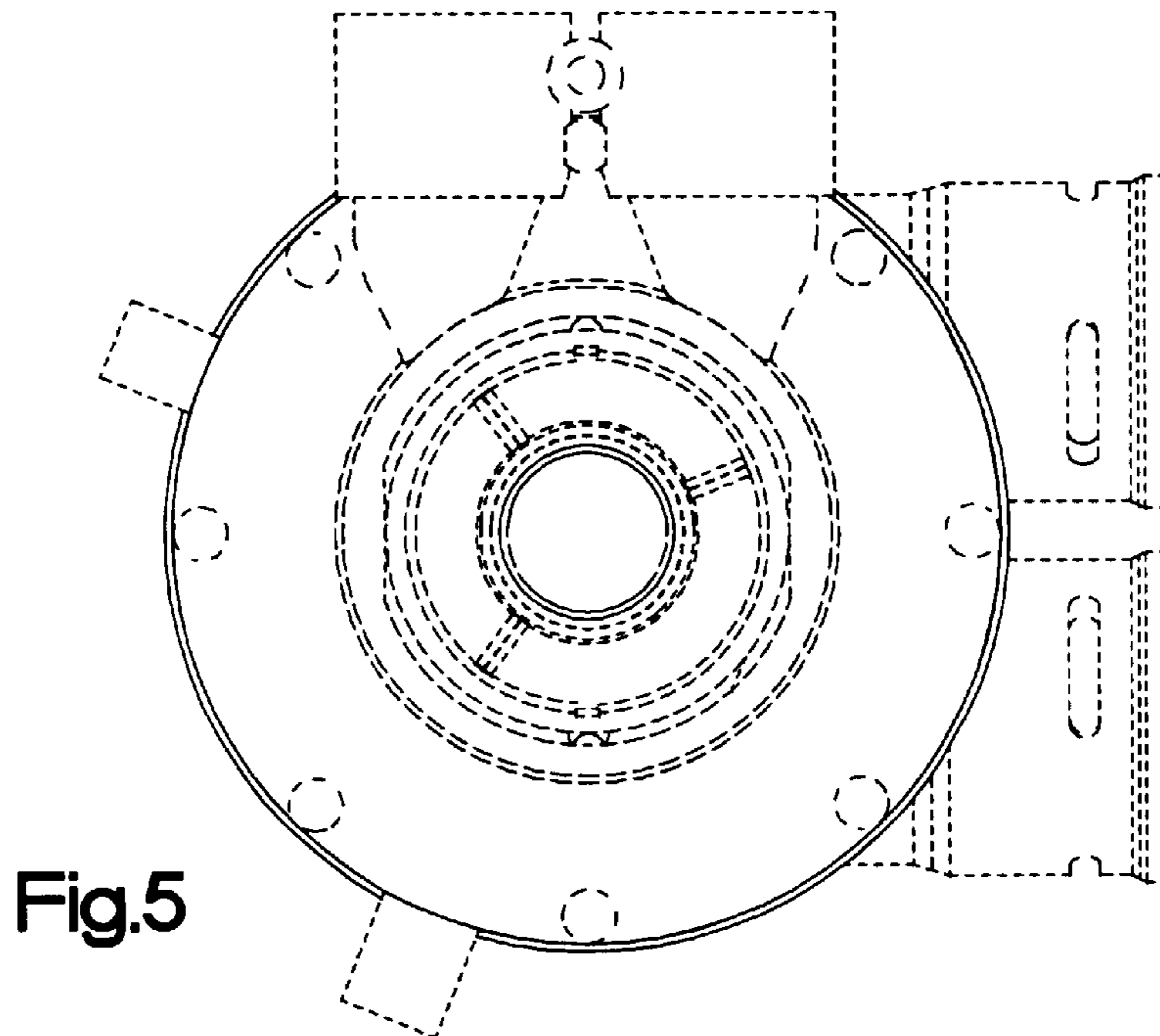


Fig.5

