

US00D499166S

(12) **United States Design Patent**  
**Weidmann**

(10) **Patent No.:** **US D499,166 S**

(45) **Date of Patent:** **\*\* Nov. 30, 2004**

(54) **WATER QUALITY OUTLET FILTER**

(76) **Inventor:** **Lawrence W. Weidmann, 110**  
Georgian Manor Ct., Alpharetta, GA  
(US) 30022

(\*\*) **Term:** **14 Years**

(21) **Appl. No.:** **29/192,310**

(22) **Filed:** **Oct. 22, 2003**

(51) **LOC (7) Cl.** ..... **23-01**

(52) **U.S. Cl.** ..... **D23/209; D23/268**

(58) **Field of Search** ..... **D23/213, 214,**  
**D23/266, 268, 259, 207, 209; D8/1; 405/43**

(56) **References Cited**

**U.S. PATENT DOCUMENTS**

400,884 A	4/1889	Wilbur	
902,104 A	10/1908	Neireiter	
913,338 A	2/1909	Williams	
1,398,007 A	11/1921	Davis	
4,246,305 A	1/1981	Delattre	
4,504,391 A	3/1985	Weems, Sr.	
4,720,209 A	1/1988	Iams	
4,919,568 A	4/1990	Hurley	
4,923,330 A	5/1990	DeTommaso	
4,950,103 A	* 8/1990	Justice	405/43

4,988,235 A	1/1991	Hurley	
5,002,429 A	* 3/1991	Roberts	405/43
5,046,892 A	* 9/1991	Kothmann	405/43
5,198,113 A	3/1993	Daniels	
5,297,895 A	3/1994	Johnson	
5,645,732 A	7/1997	Daniels	
6,076,992 A	* 6/2000	Fukui et al.	405/43

\* cited by examiner

*Primary Examiner*—Robin V. Taylor

(74) *Attorney, Agent, or Firm*—Hinkle & O’Bradovich, LLC

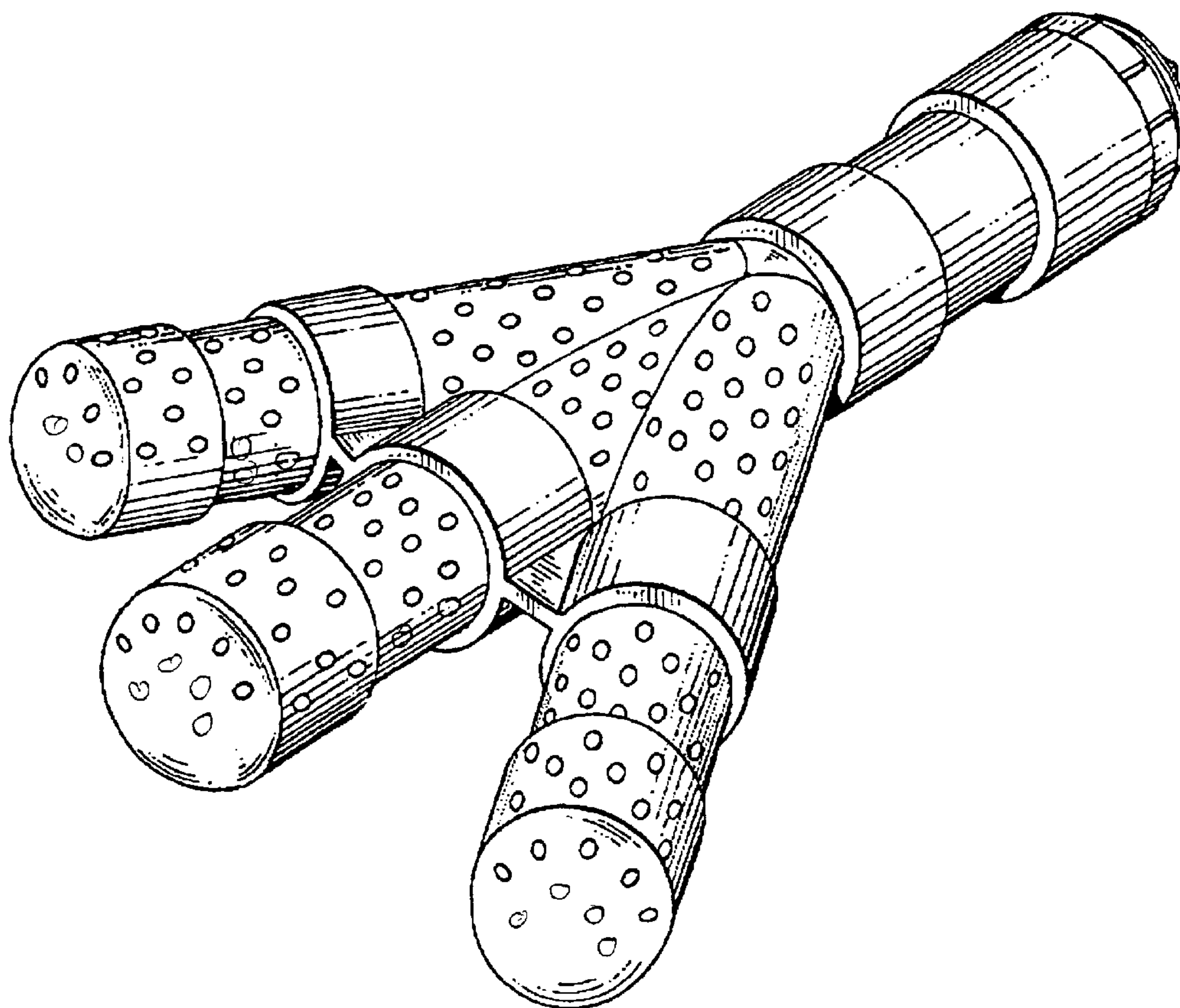
(57) **CLAIM**

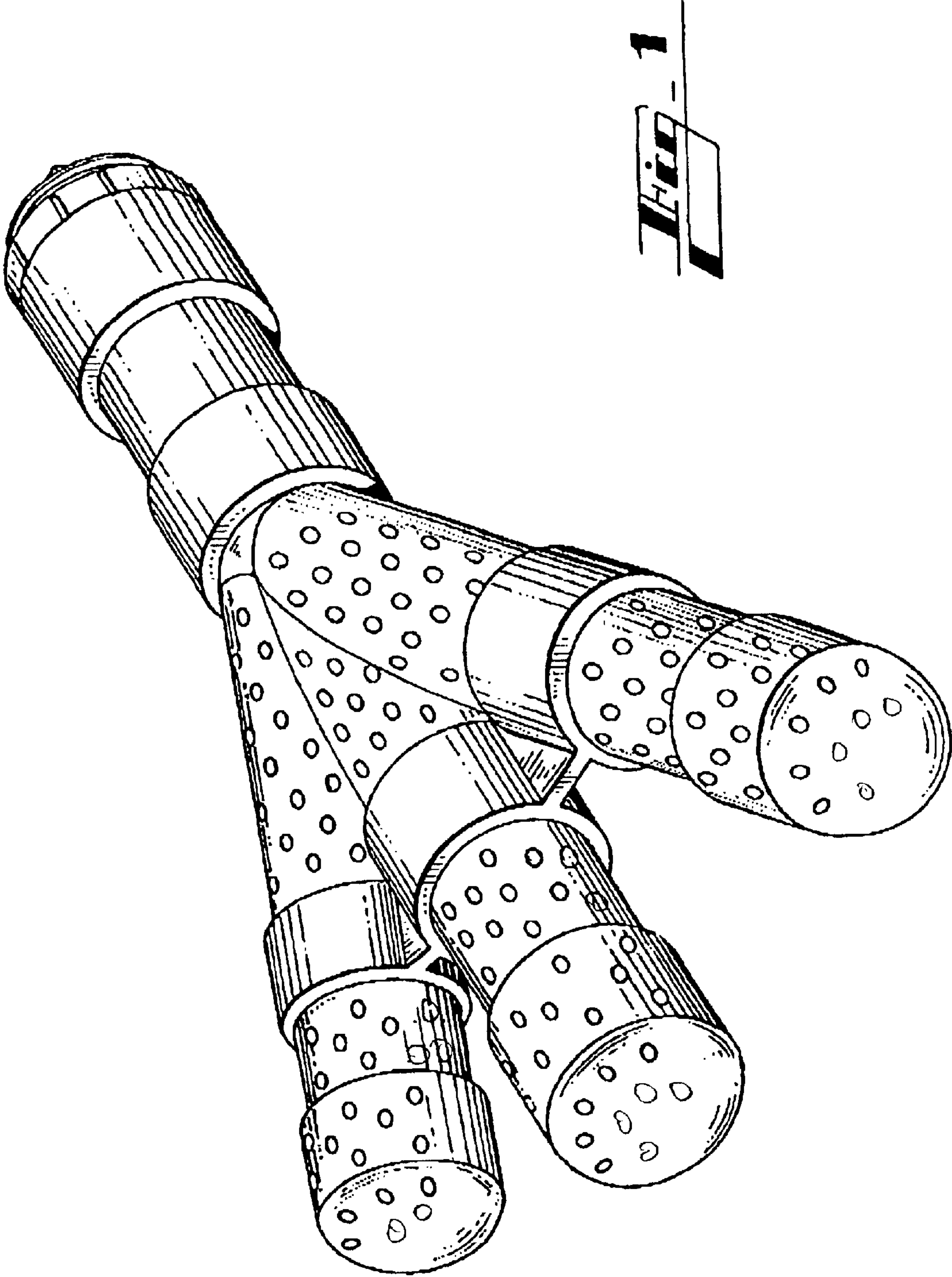
The ornamental design for a water quality outlet filter, as shown.

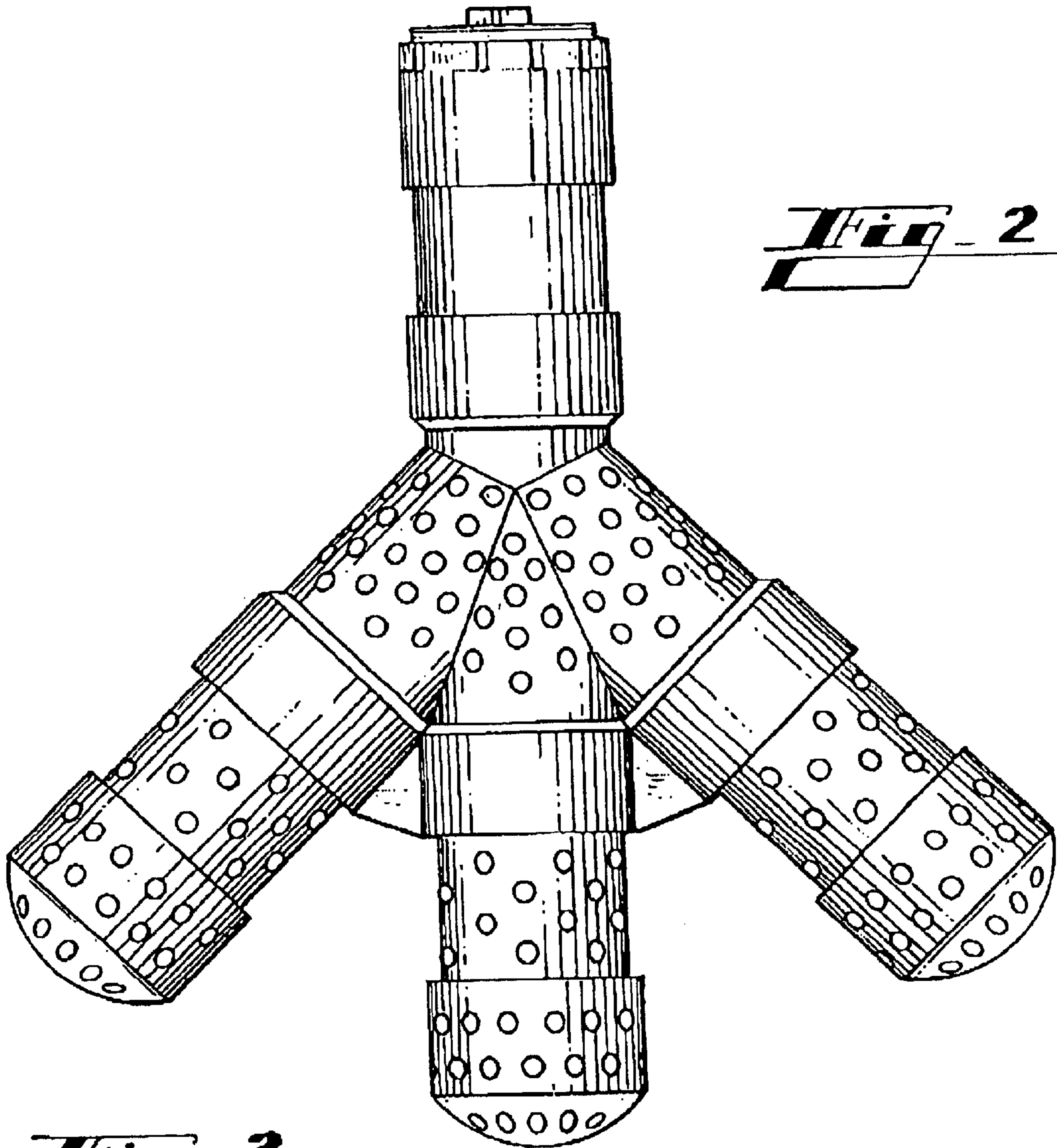
**DESCRIPTION**

FIG. 1 is an overall perspective view of a water quality outlet filter;  
FIG. 2 is a top plan view thereof;  
FIG. 3 is a front elevational view thereof;  
FIG. 4 is a bottom plan view thereof;  
FIG. 5 is a rear elevational view thereof;  
FIG. 6 is a right side elevational view thereof; and,  
FIG. 7 is a left side elevation view thereof.

**1 Claim, 4 Drawing Sheets**

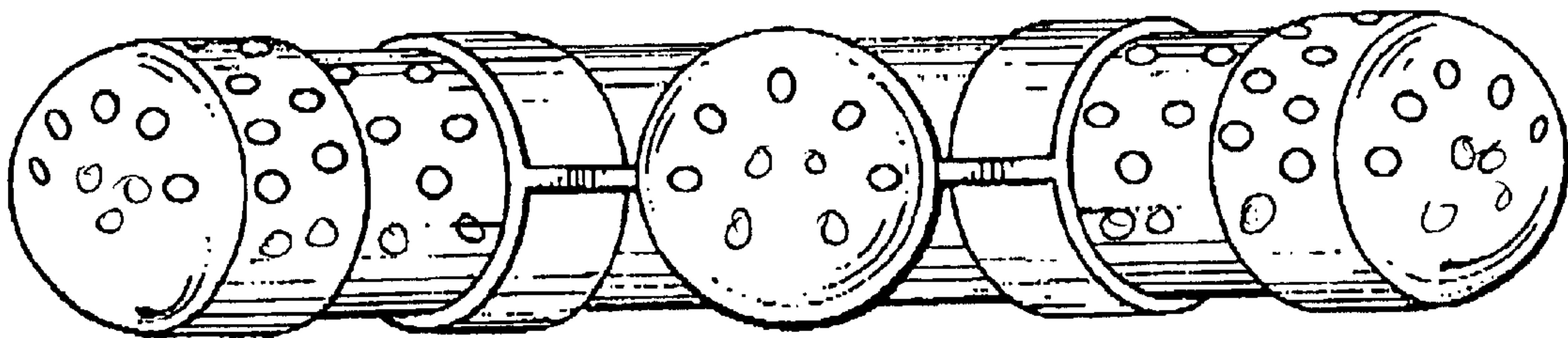




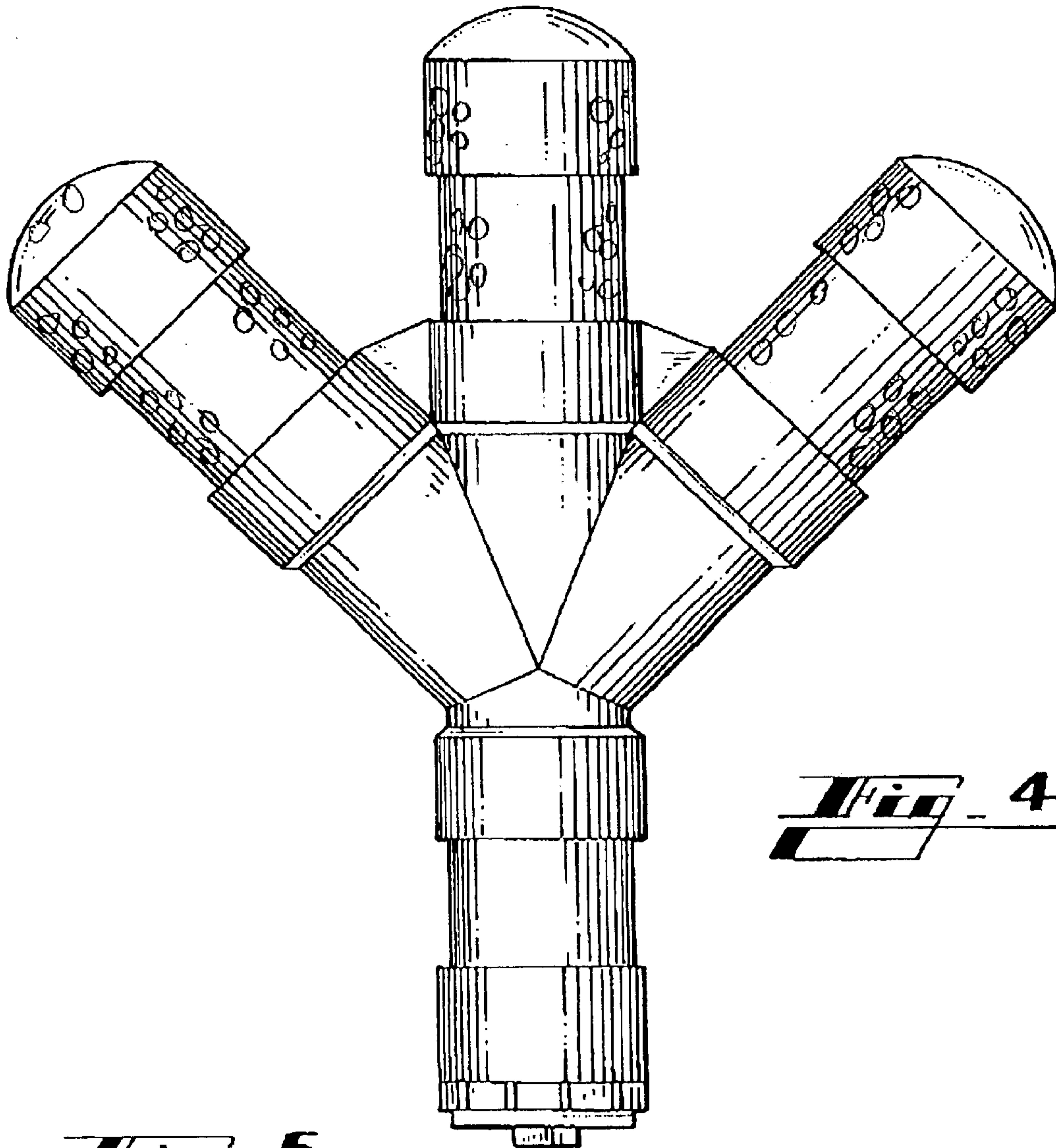


**Fig. 2**

**Fig. 3**

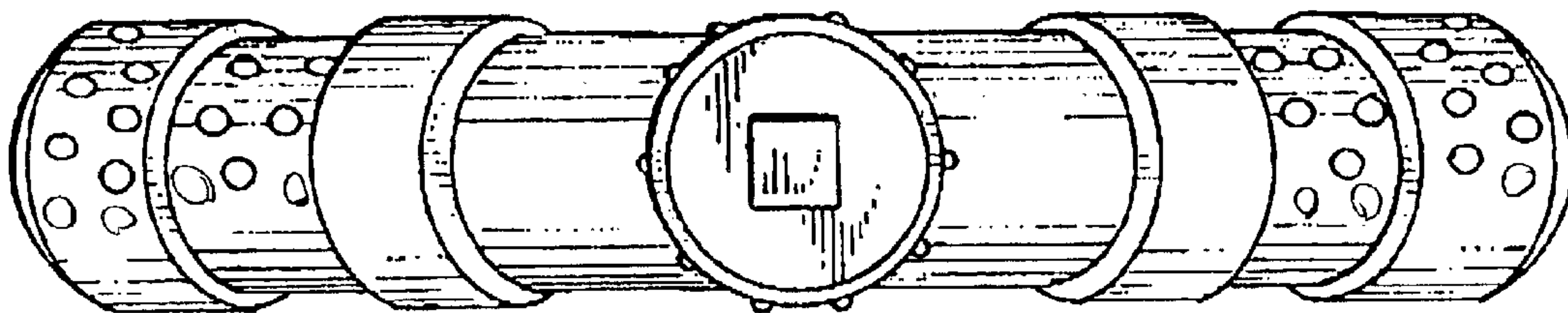


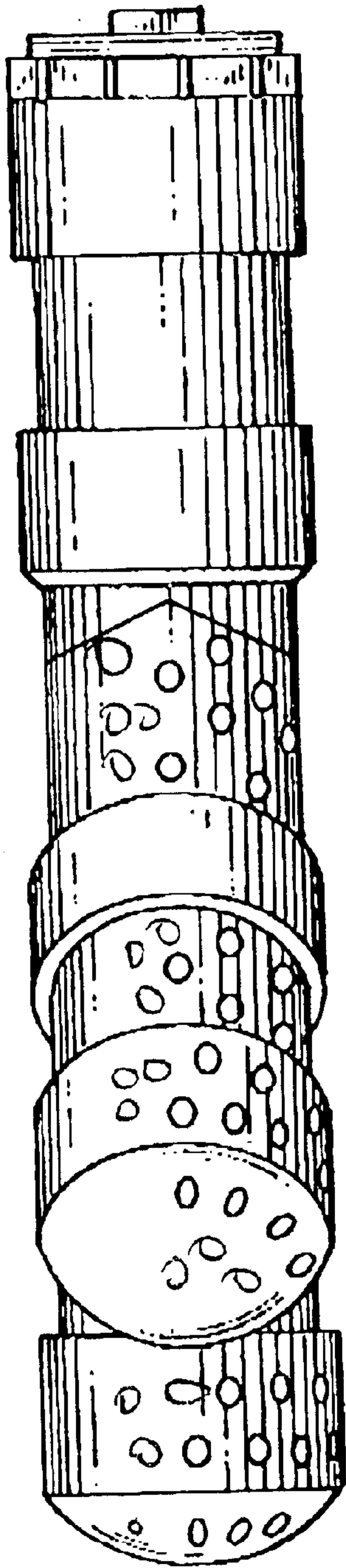




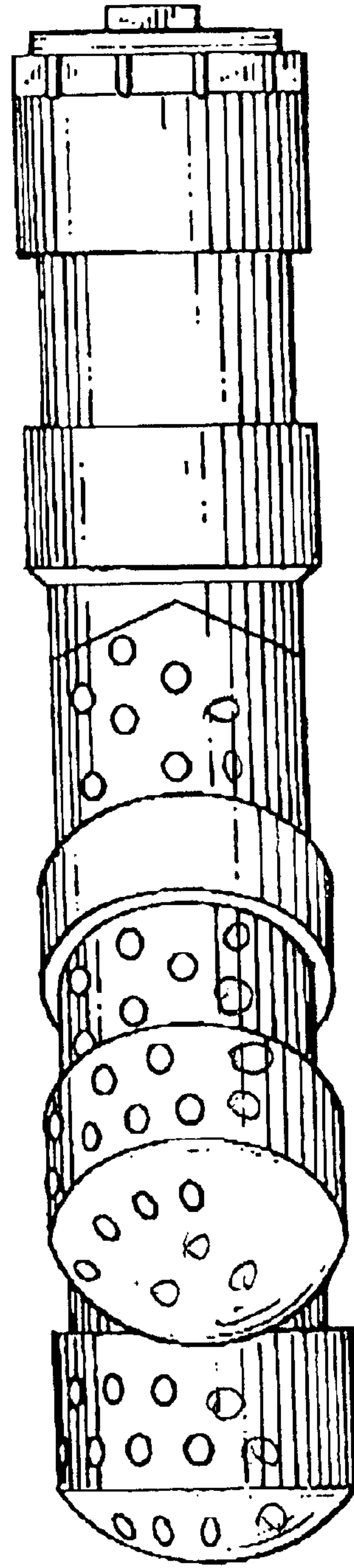
**Fig. 4**

**Fig. 5**





**Fig. 6**



**Fig. 7**