

US00D499156S

(12) **United States Design Patent**  
**Nathanson**

(10) **Patent No.:** **US D499,156 S**

(45) **Date of Patent:** **\*\* Nov. 30, 2004**

(54) **GOLF CLUB HEAD DESIGN**

D443,665 S \* 6/2001 Mahaffey ..... D21/748

(75) **Inventor:** **Colin Nathanson**, Rancho Santa Margarita, CA (US)

(73) **Assignee:** **Giant Golf Company**, Rancho Santa Margarita, CA (US)

(\*\*) **Term:** **14 Years**

(21) **Appl. No.:** **29/178,390**

(22) **Filed:** **Mar. 25, 2003**

(51) **LOC (7) Cl.** ..... **21-02**

(52) **U.S. Cl.** ..... **D21/748**

(58) **Field of Search** ..... D21/747-751;  
473/324-331, 350

(56) **References Cited**

**U.S. PATENT DOCUMENTS**

D353,644 S	12/1994	Hirsch et al.	
5,375,840 A	12/1994	Hirsch et al.	
D424,643 S	* 5/2000	Stone et al.	..... D21/748
D432,609 S	* 10/2000	Bennett et al.	..... D21/748

**OTHER PUBLICATIONS**

ATGOLF 1998-99 Catalog

\* cited by examiner

*Primary Examiner*—Mitchell Siegel

(74) *Attorney, Agent, or Firm*—Stetina Brunda Garred & Brucker

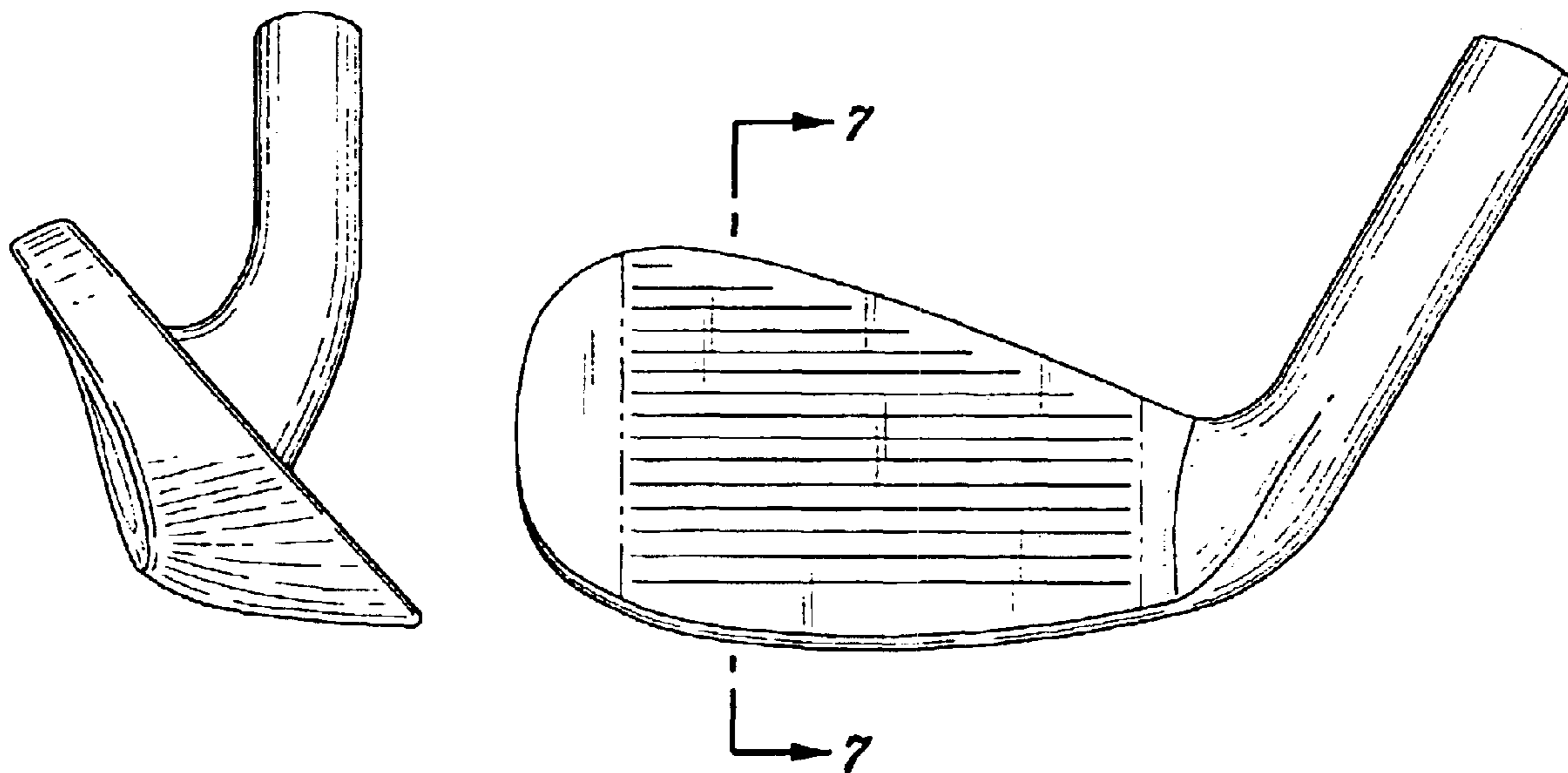
(57) **CLAIM**

The ornamental design for a golf club head design, as shown and described.

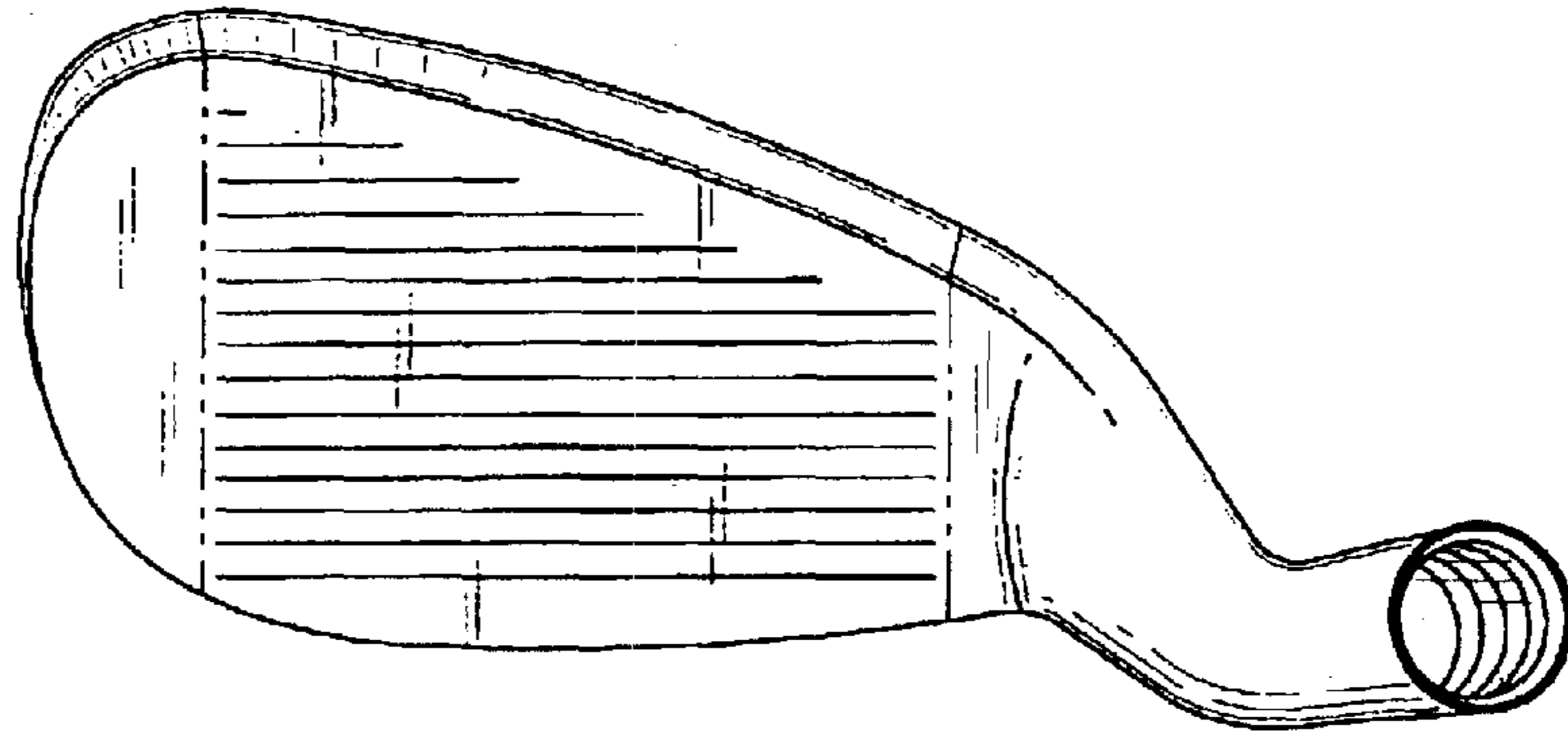
**DESCRIPTION**

FIG. 1 is a top view of the invention;  
FIG. 2 is a left side view of the invention;  
FIG. 3 is a front view of the invention;  
FIG. 4 is a bottom view of the invention;  
FIG. 5 is a right side view of the invention;  
FIG. 6 is a rear view of the invention; and,  
FIG. 7 is a cross-sectional view of the invention.

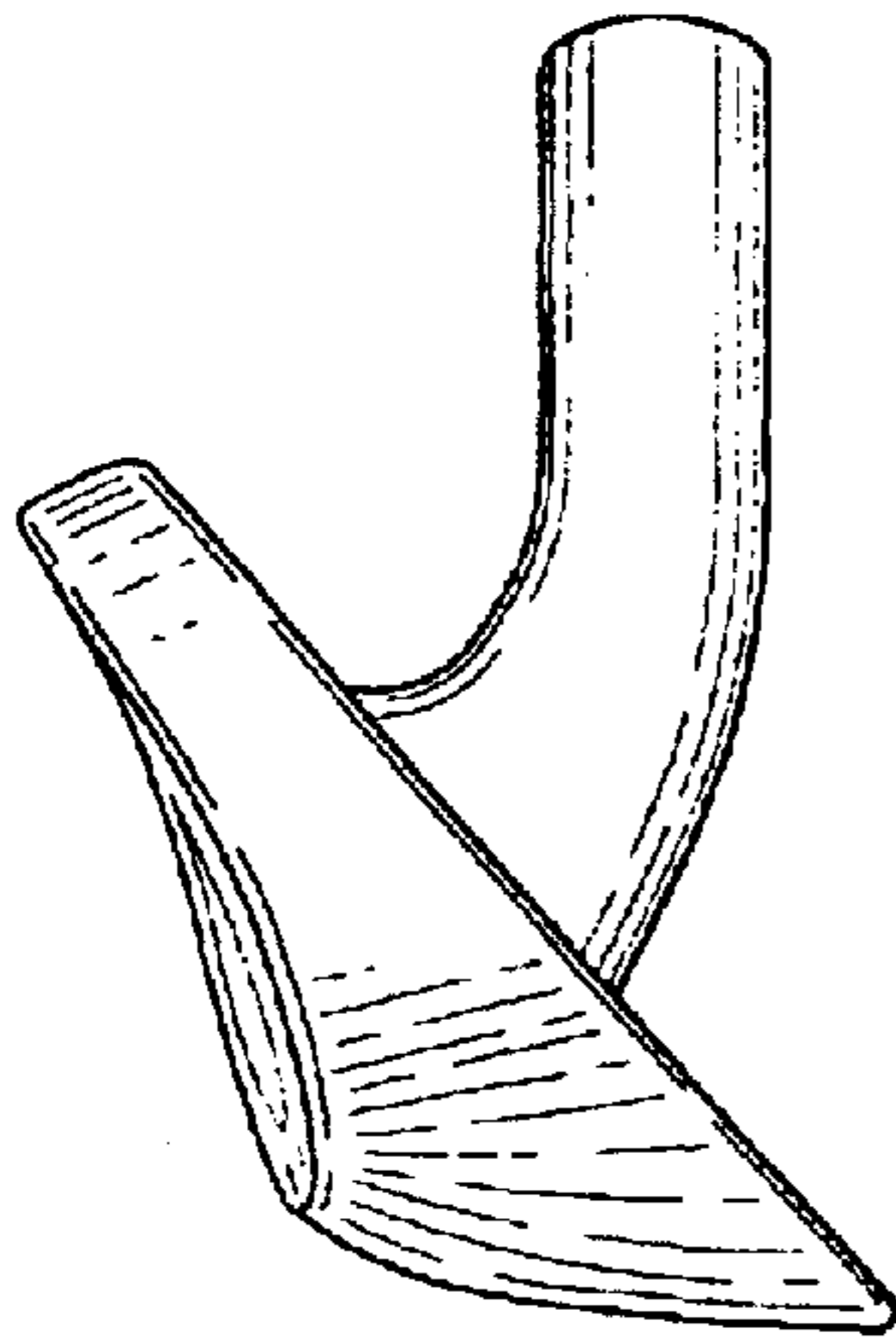
**1 Claim, 2 Drawing Sheets**



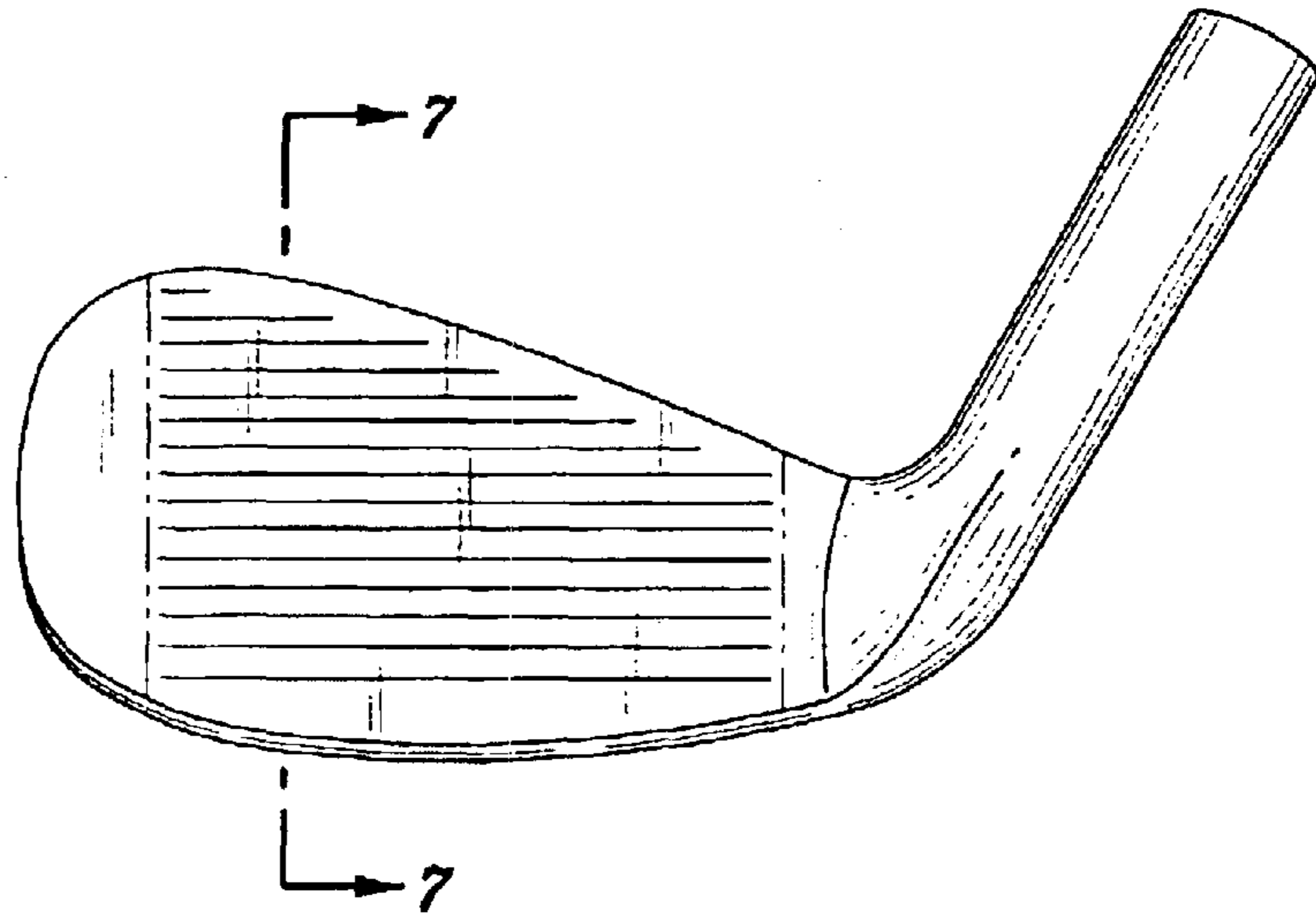
*Fig. 1*



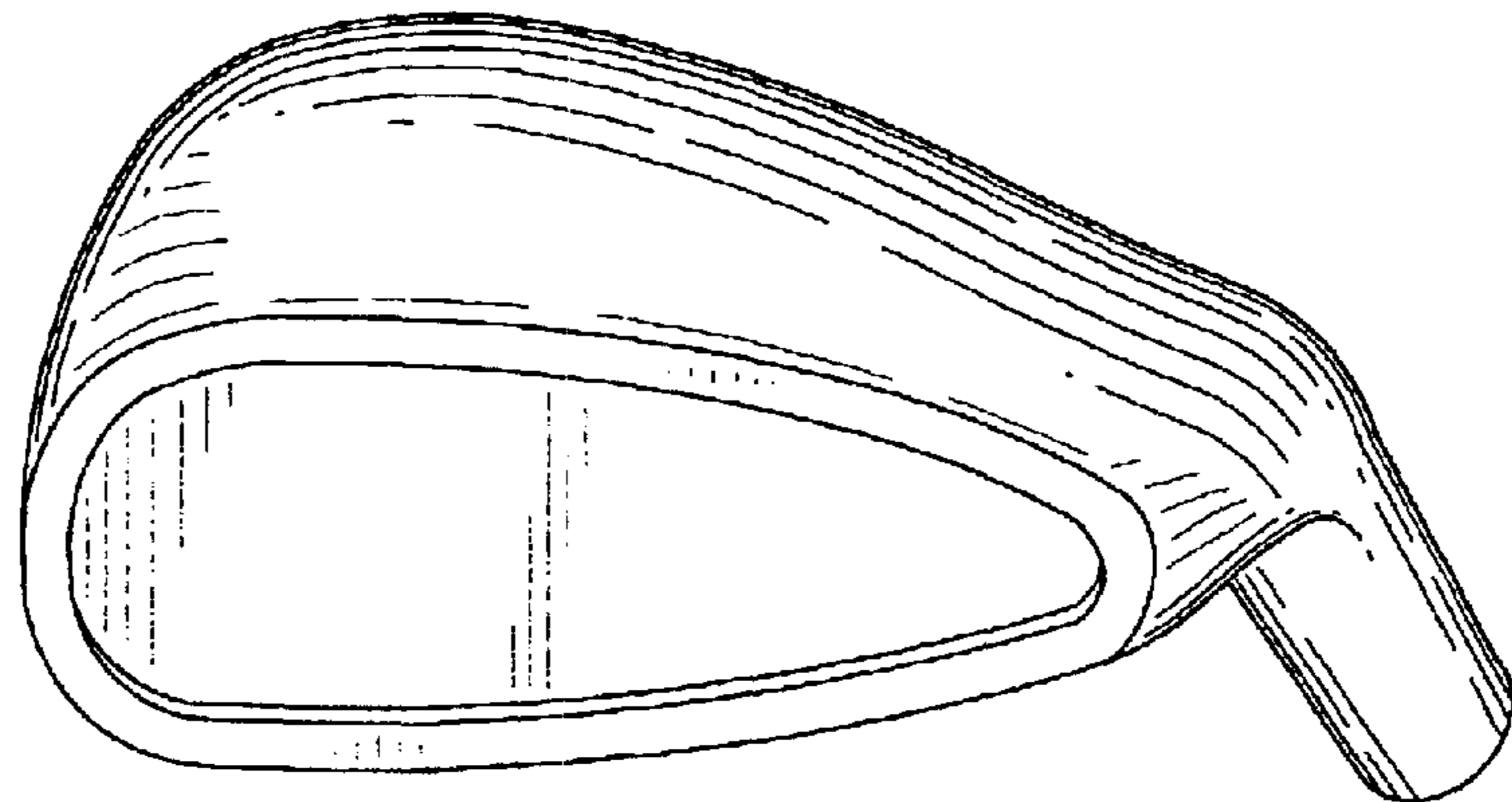
*Fig. 2*



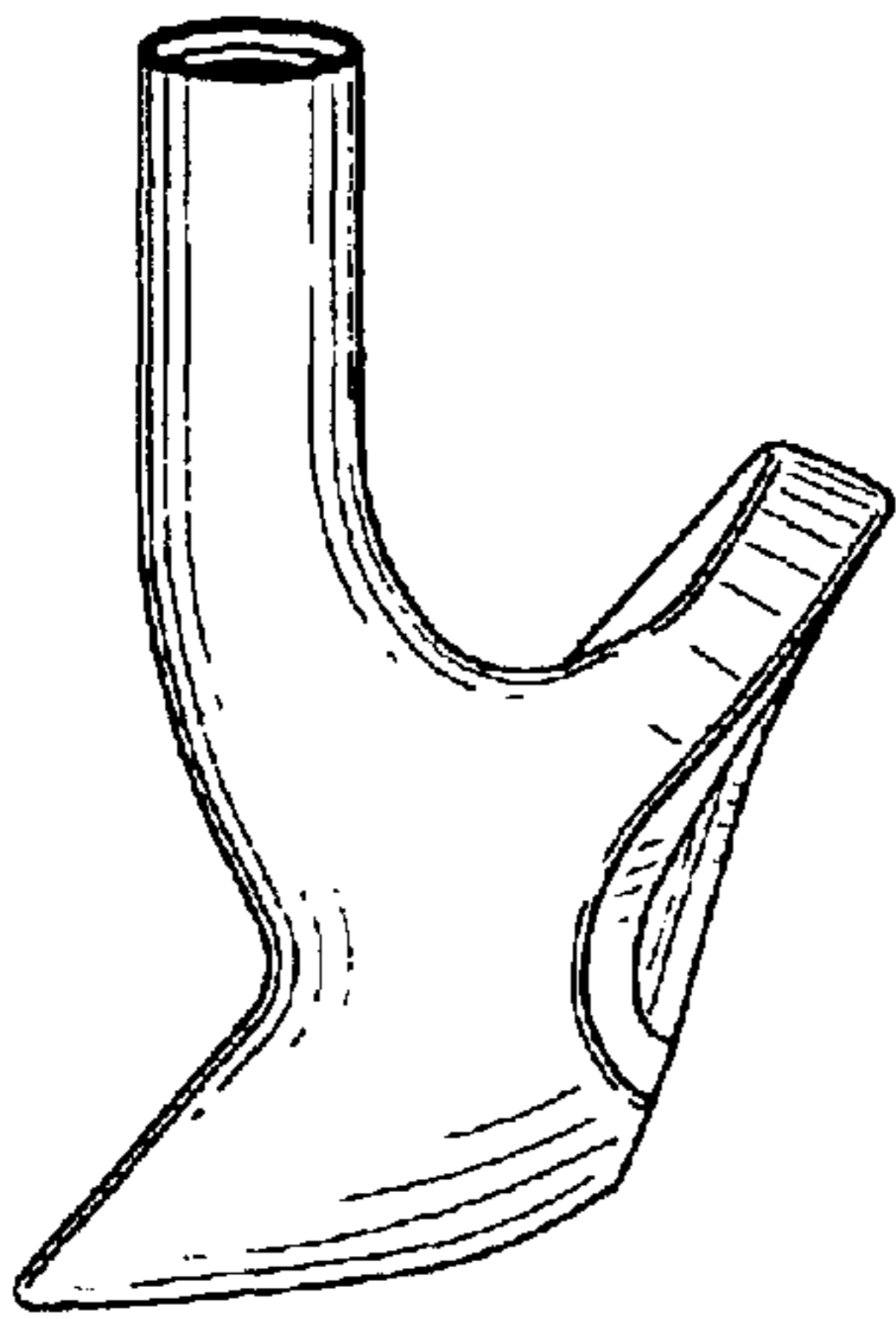
*Fig. 3*



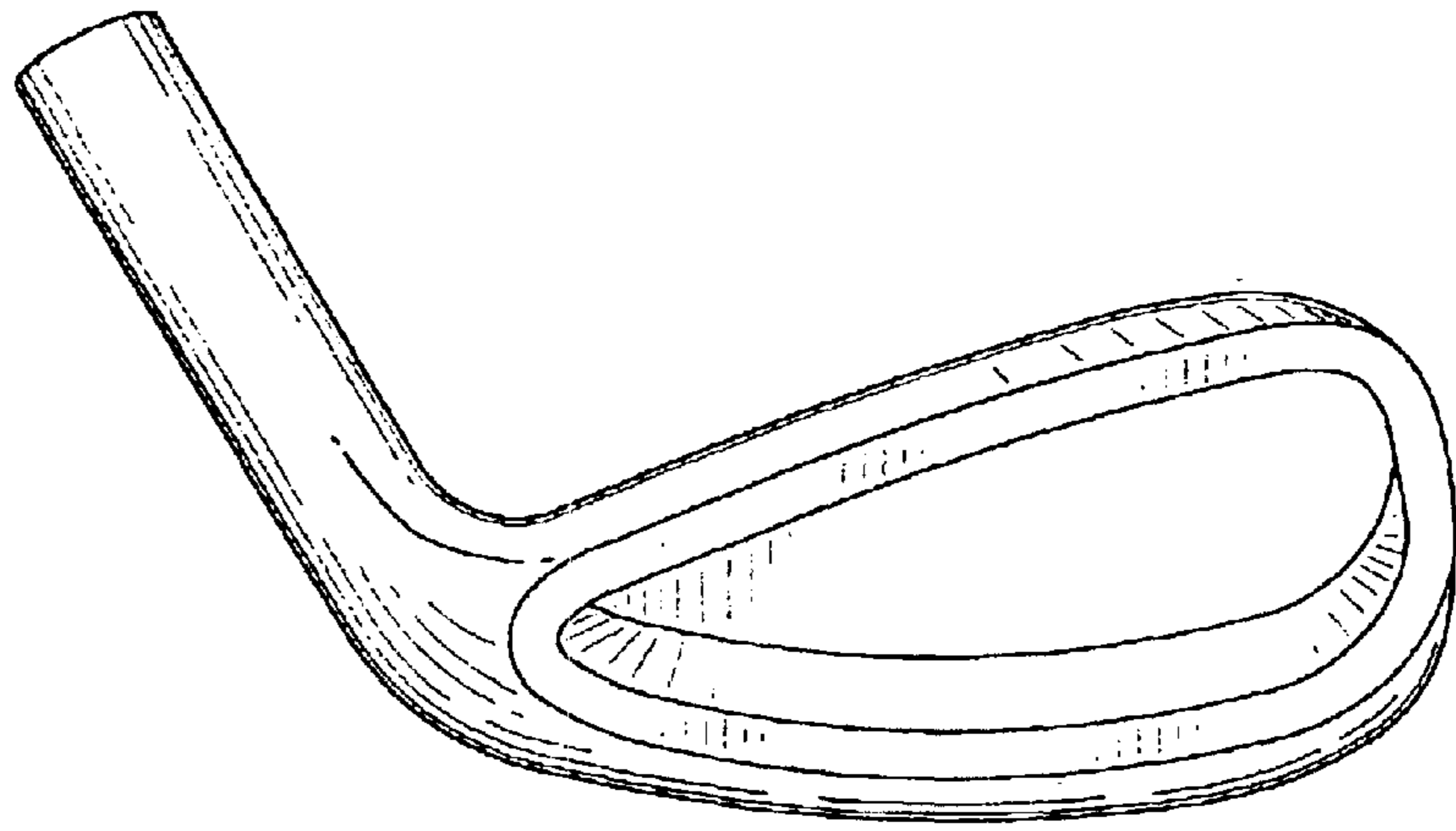
*Fig. 4*



*Fig. 5*



*Fig. 6*



*Fig. 7*

