

US00D499149S

(12) **United States Design Patent** (10) **Patent No.:** **US D499,149 S**  
**Doherty et al.** (45) **Date of Patent:** **\*\* Nov. 30, 2004**

(54) **UNDER LIT FOOSBALL TABLE**

(75) Inventors: **Thomas M. Doherty**, Golden, CO (US); **William C. Boettcher**, Denver, CO (US)

(73) Assignee: **Classic Sport Companies, Inc.**, Broomfield, CO (US)

(\*\*) Term: **14 Years**

(21) Appl. No.: **29/198,988**

(22) Filed: **Feb. 5, 2004**

**Related U.S. Application Data**

(63) Continuation-in-part of application No. 10/424,494, filed on Apr. 25, 2003, which is a continuation-in-part of application No. 10/224,051, filed on Aug. 20, 2002.

(51) **LOC (7) Cl.** ..... **21-01**

(52) **U.S. Cl.** ..... **D21/318; D21/314**

(58) **Field of Search** ..... D21/312, 314, D21/318, 324, 316, 320, 334, 355, 397, 522, 338; 273/108, 108.1, 109, 118 R, 235, 287, 108.54, 108.52, DIG. 24; 362/33, 127, 97, 806

(56) **References Cited**

**U.S. PATENT DOCUMENTS**

D227,684 S \* 7/1973 Patterson ..... D21/318  
3,917,264 A \* 11/1975 Davidson et al. .... 473/2

D314,985 S \* 2/1991 Monneret ..... D21/318  
D376,390 S \* 12/1996 Tilly ..... D21/318  
5,752,886 A \* 5/1998 Tien ..... 473/14  
5,791,758 A \* 8/1998 Horgan et al. .... 362/554  
5,931,465 A \* 8/1999 Miyake et al. .... 273/108.1  
5,941,778 A \* 8/1999 Vasalech ..... 473/1  
6,092,805 A \* 7/2000 Lee ..... 273/108.1  
D451,556 S \* 12/2001 Murrey ..... D21/318  
D490,476 S \* 5/2004 Oister et al. .... D21/318

\* cited by examiner

*Primary Examiner*—Prabhakar Deshmukh

(74) *Attorney, Agent, or Firm*—Holland and Hart LLP

(57) **CLAIM**

The ornamental design for an under lit foosball table, as shown and described.

**DESCRIPTION**

FIG. 1 is a top perspective view of an under lit foosball table showing our new design;

FIG. 2 is a bottom perspective view thereof;

FIG. 3 is a front side elevation view thereof;

FIG. 4 is a rear side elevation view thereof;

FIG. 5 is a right side elevation view thereof;

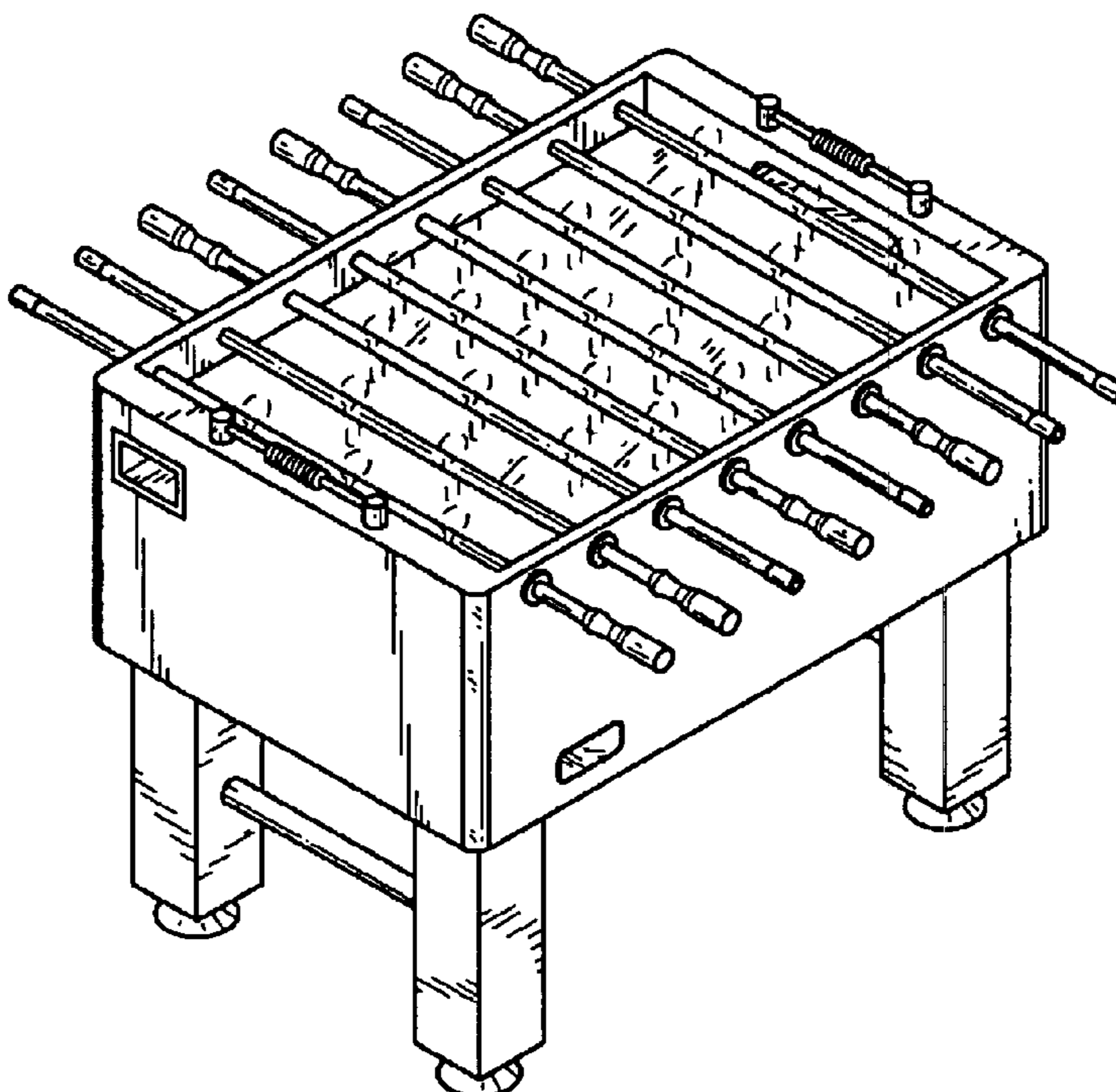
FIG. 6 is a left side elevation view thereof;

FIG. 7 is a top plan view thereof; and,

FIG. 8 is a bottom plan view thereof.

The broken lines are for illustrative purpose only and form no part of the claimed design.

**1 Claim, 4 Drawing Sheets**



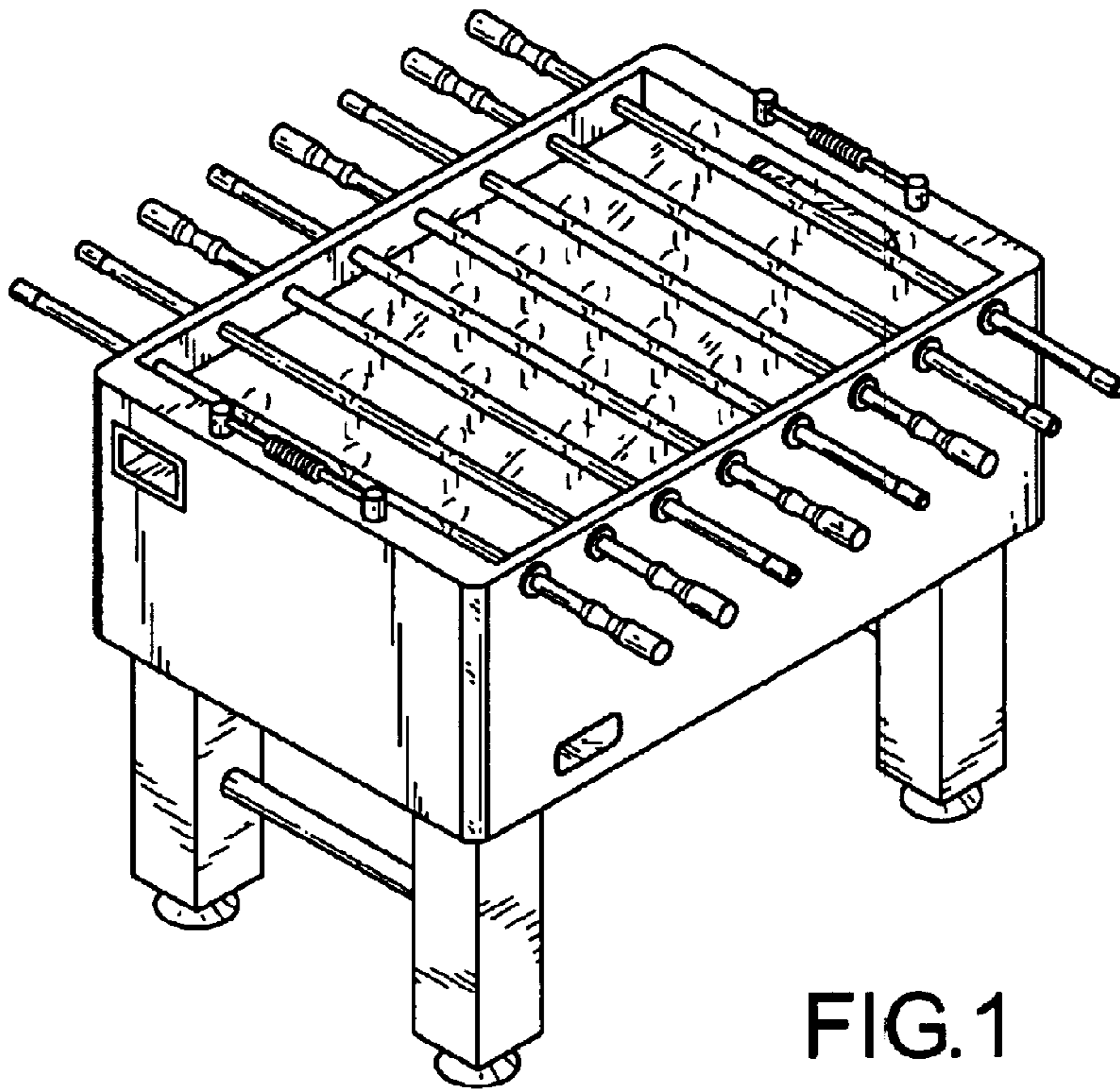


FIG. 1

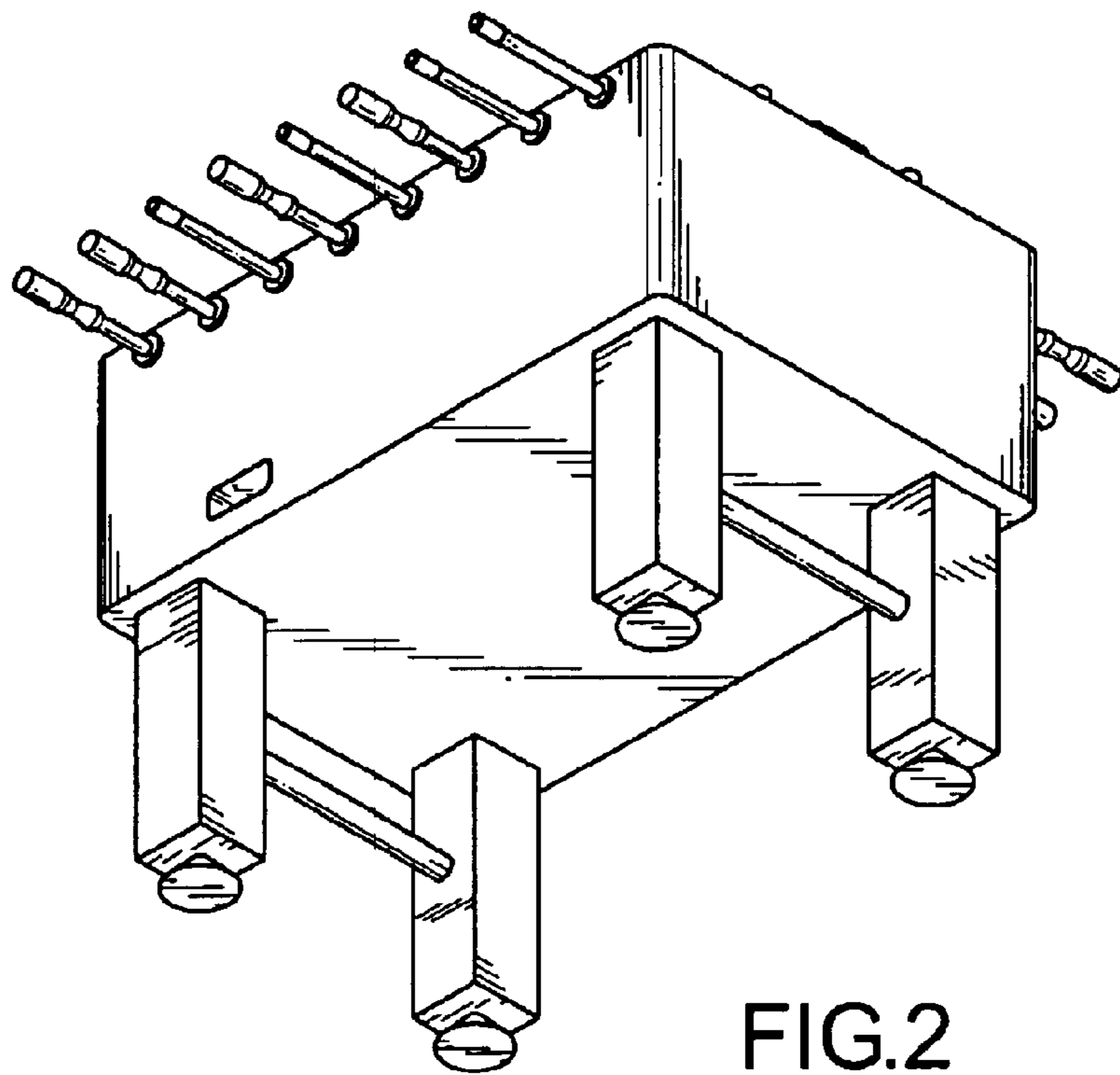


FIG. 2

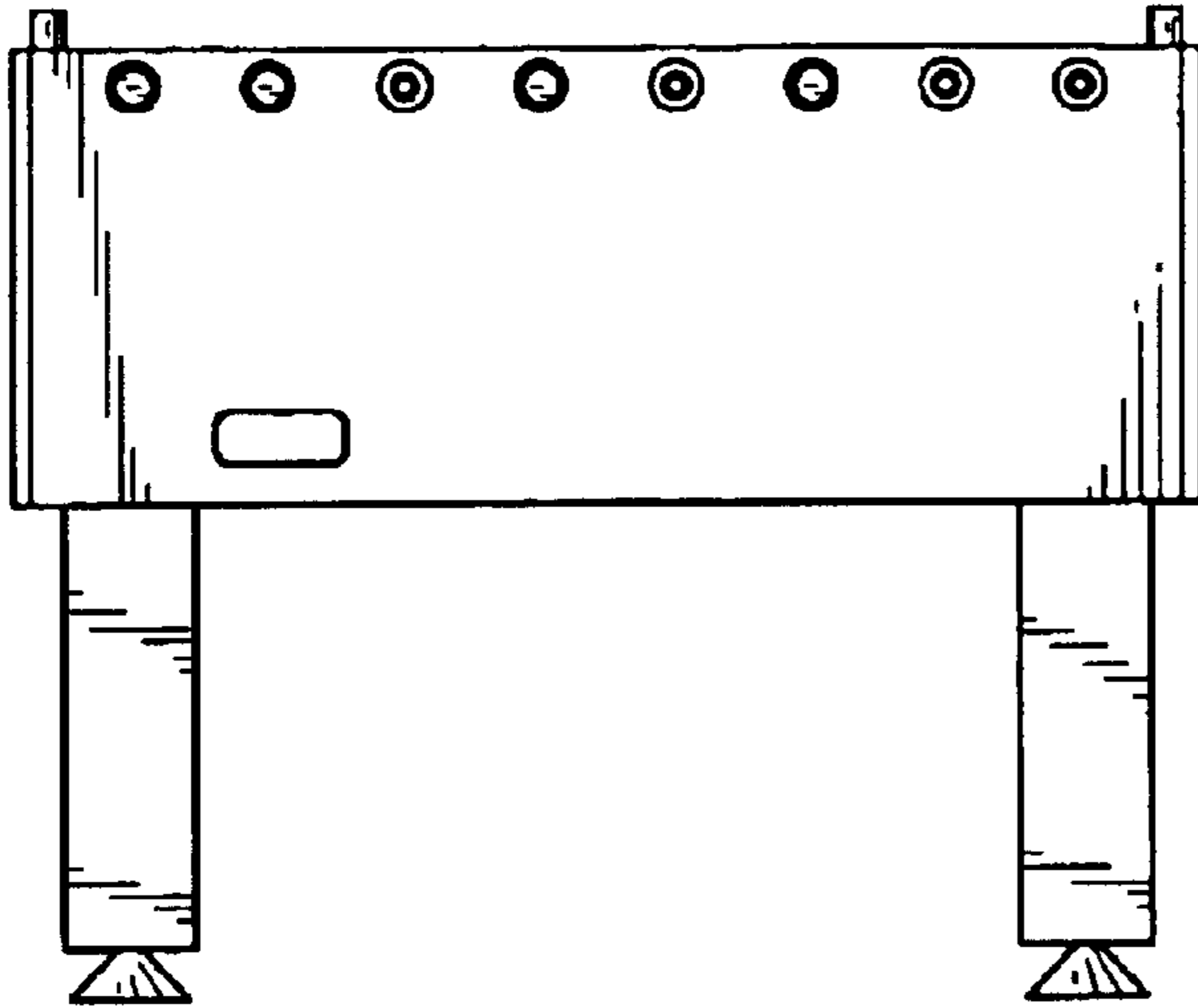


FIG.3

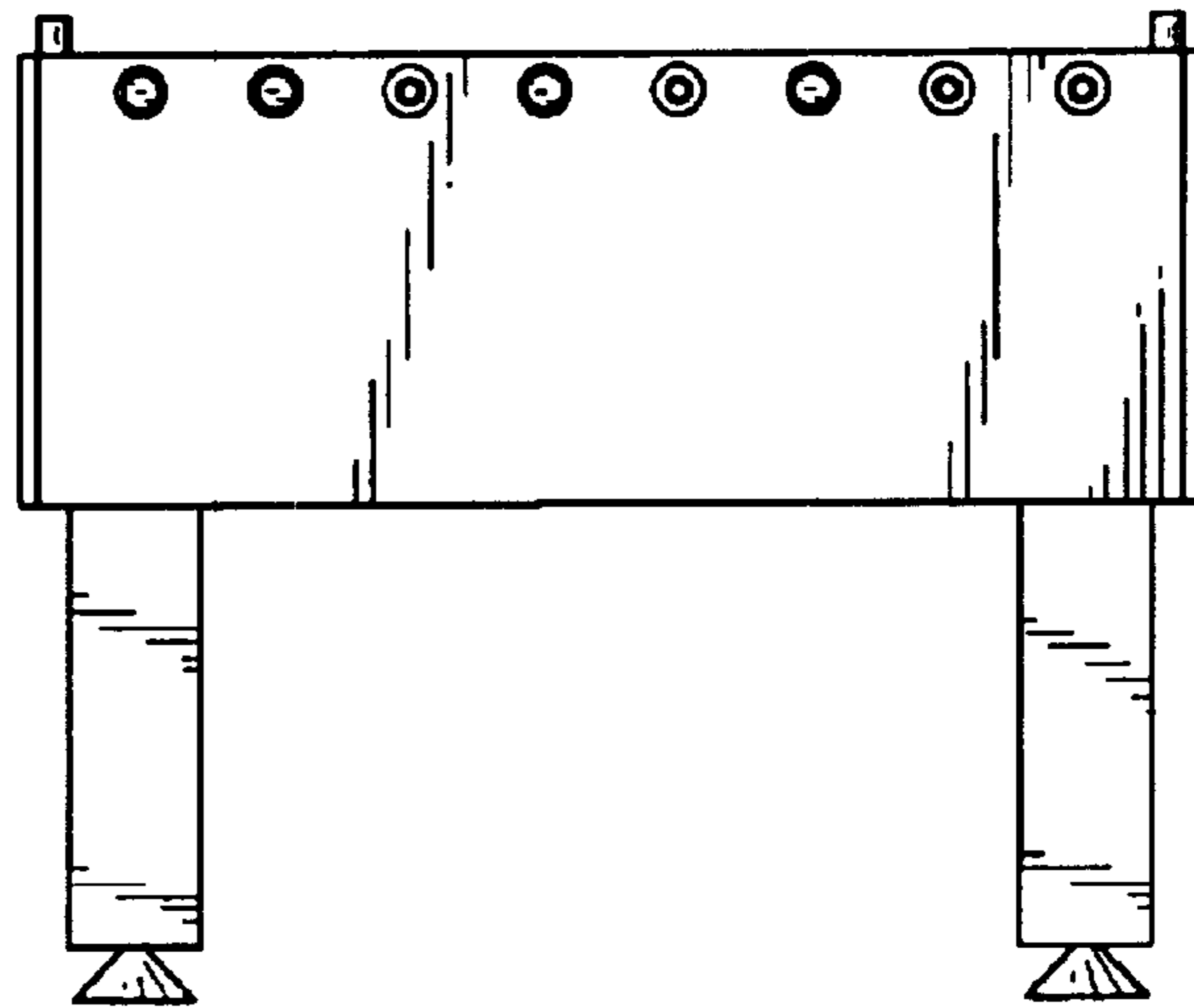


FIG.4

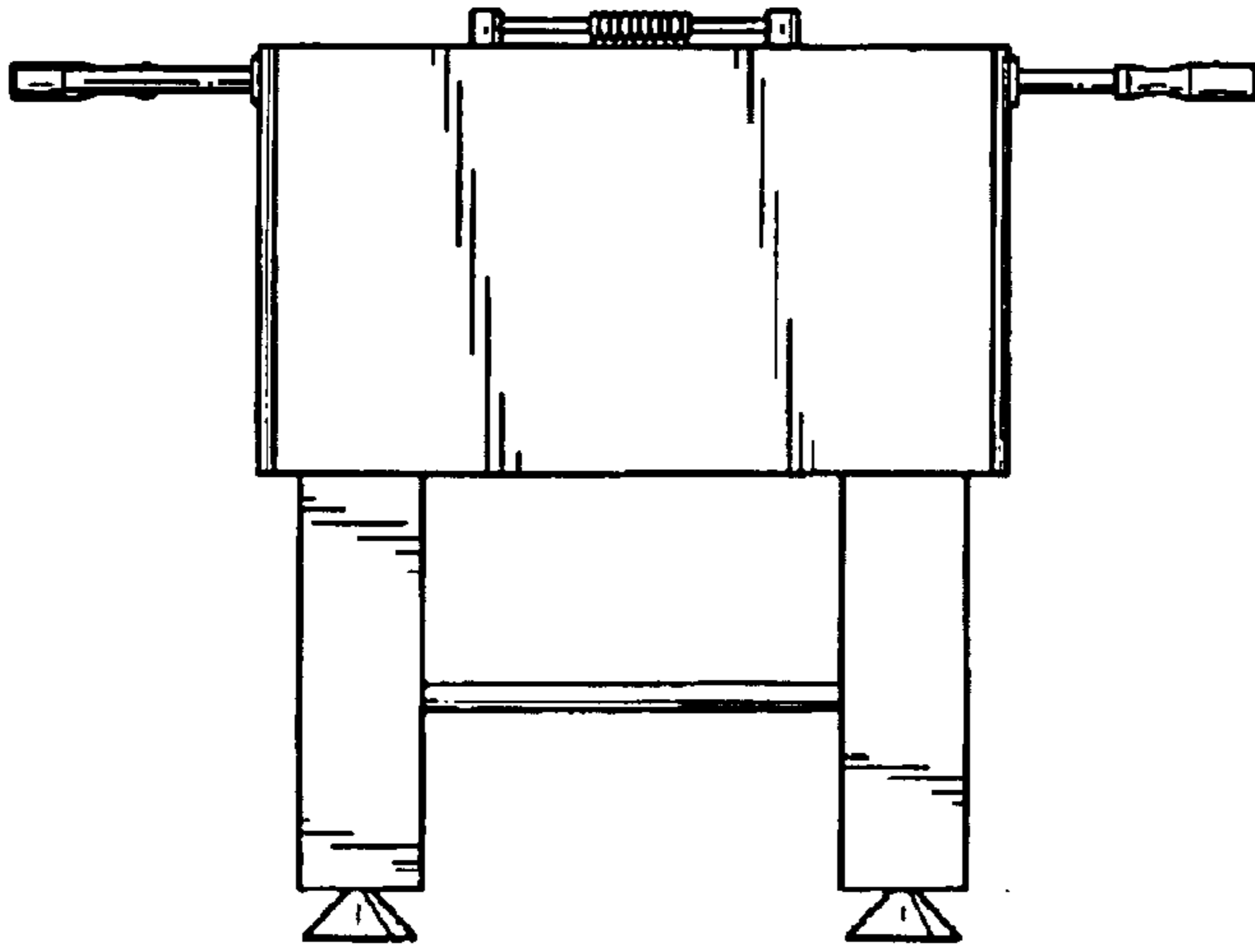


FIG.5

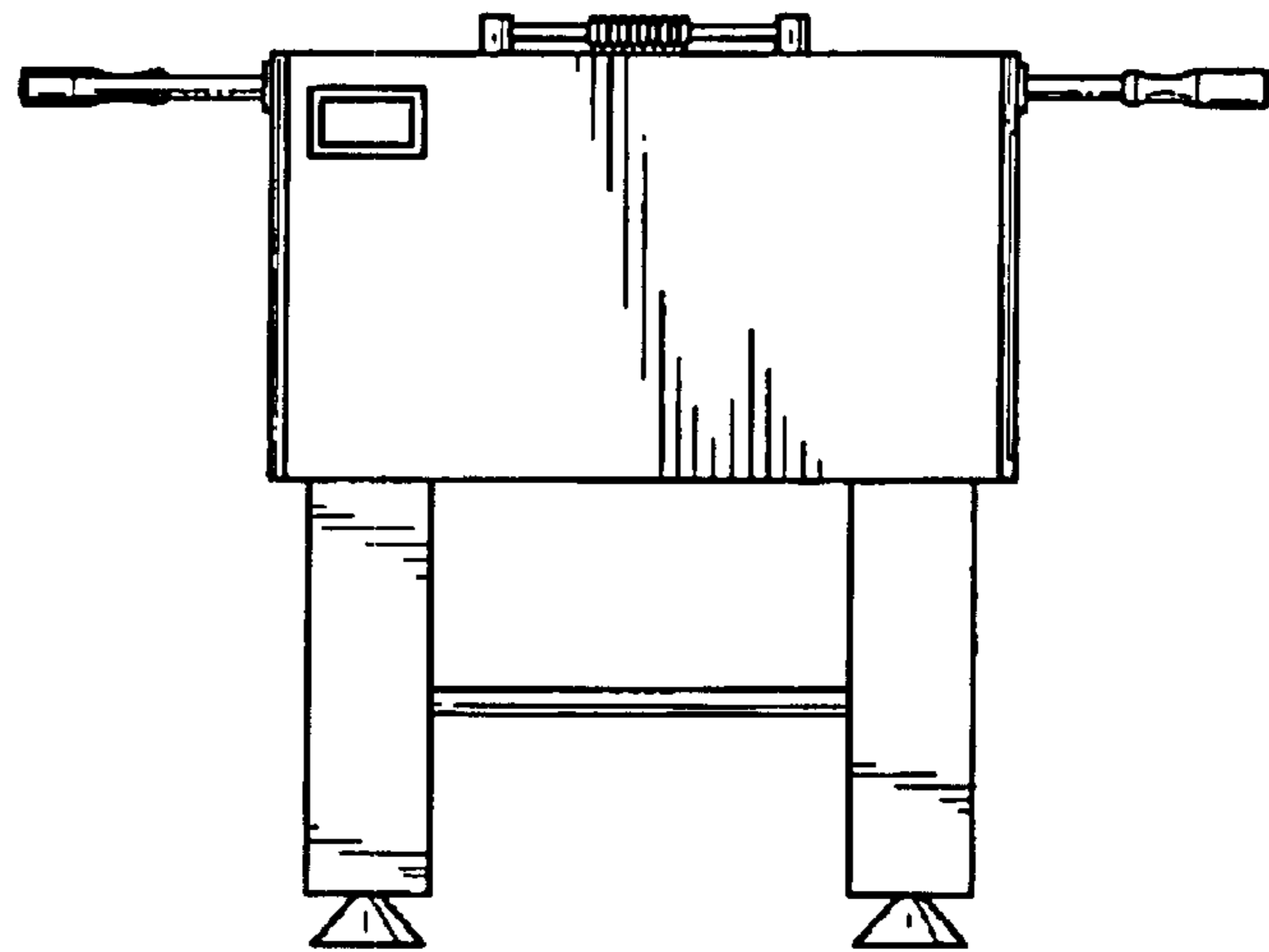


FIG.6

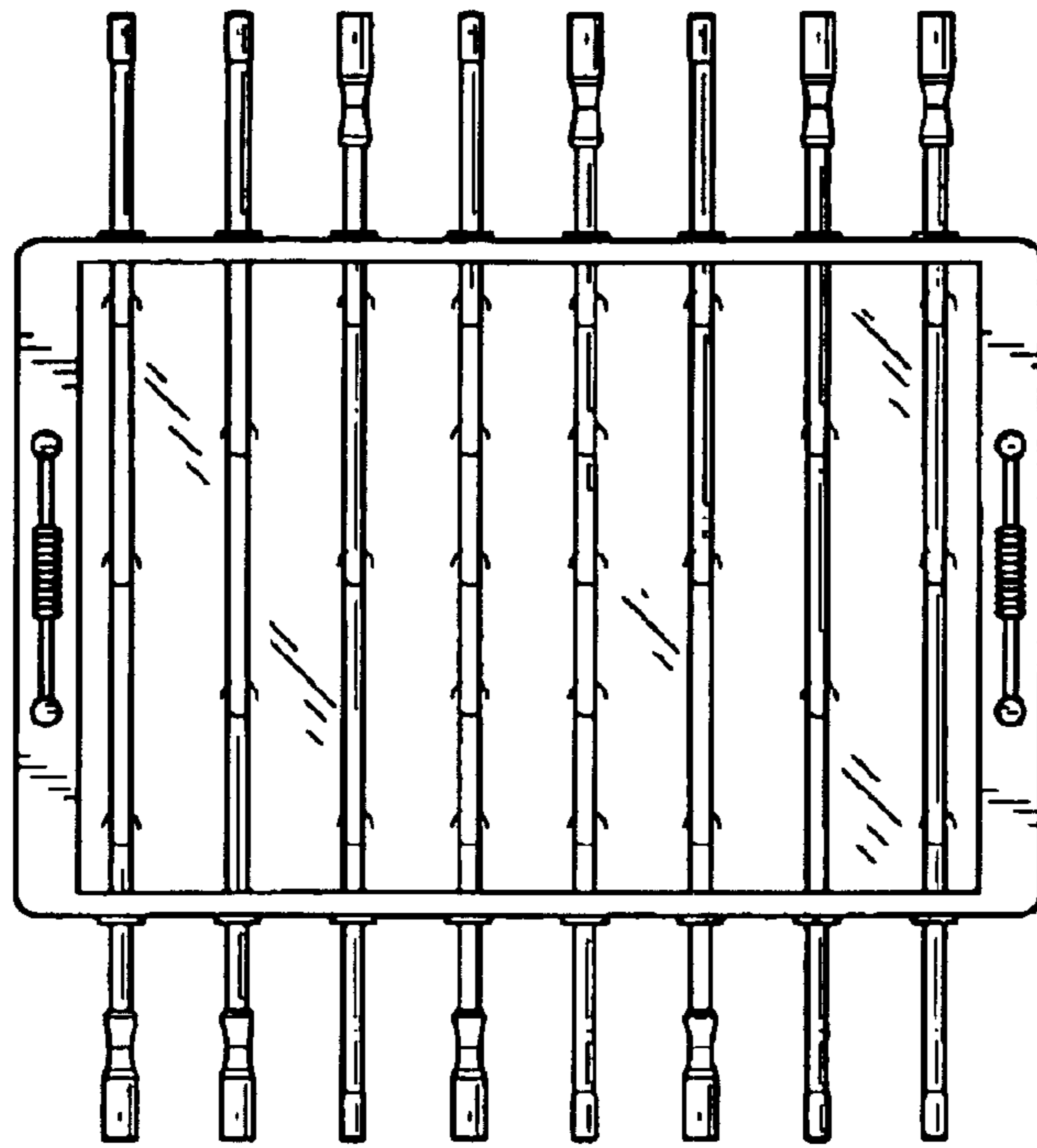


FIG. 7

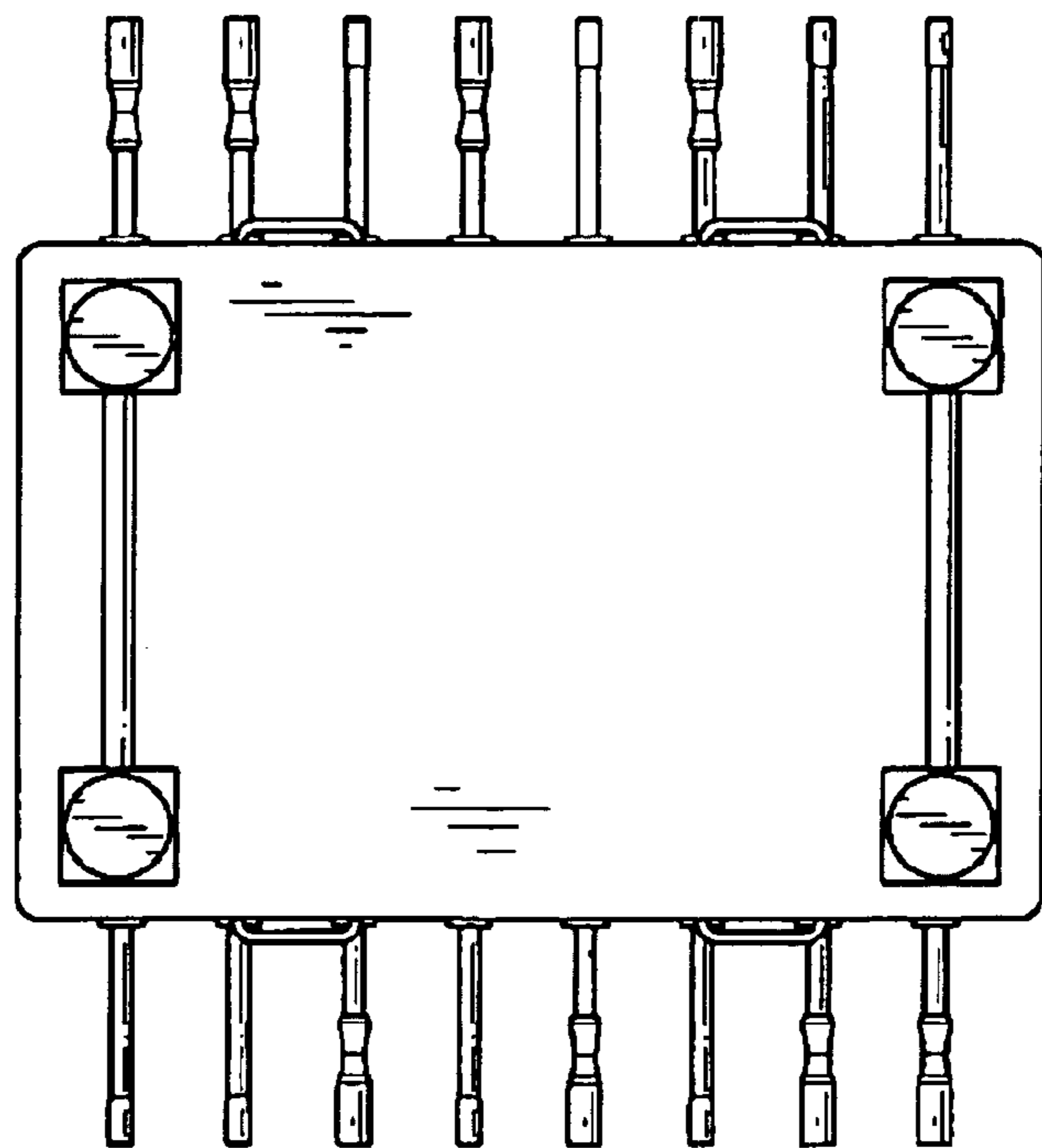


FIG. 8