



US00D499146S

(12) **United States Design Patent**
Liu et al.

(10) **Patent No.: US D499,146 S**
(45) **Date of Patent: ** Nov. 30, 2004**

(54) **GUMBALL MACHINE**

(75) Inventors: **Yong Liu**, Kowloon (HK); **Xiao-Na Xu**, Kowloon (HK); **Lok-Chun Chan**, Kowloon (HK)

(73) Assignee: **Balyun Limited**, Kowloon (HK)

(**) Term: **14 Years**

(21) Appl. No.: **29/195,960**

(22) Filed: **Dec. 22, 2003**

(51) **LOC (7) Cl.** **20-01**

(52) **U.S. Cl.** **D20/7**

(58) **Field of Search** D20/1-9; 194/239,
194/320, 342, 350; 221/92, 128, 155, 191,
194, 284; 463/17; D6/515; D19/67

(56) **References Cited**

U.S. PATENT DOCUMENTS

D63,609 S * 12/1923 Booth D20/1
4,360,204 A * 11/1982 Karr 473/137
4,560,086 A * 12/1985 Stol 221/24
5,452,822 A * 9/1995 Haymond 221/155

D370,694 S * 6/1996 Kovens et al. D20/7
D374,039 S * 9/1996 Beene D20/7
D379,137 S * 5/1997 Lam D7/589
5,782,378 A * 7/1998 Hart et al. 221/24
D399,878 S * 10/1998 Lin D20/7
D404,431 S * 1/1999 Hoffman et al. D20/7

* cited by examiner

Primary Examiner—Robert M. Spear

(74) *Attorney, Agent, or Firm*—Burns, Doane, Swecker & Mathis, L.L.P.

(57) **CLAIM**

The ornamental design for a “gumball machine,” , as shown and described.

DESCRIPTION

FIG. 1 is a left side view of a “gumball machine” showing my design;

FIG. 2 is a right side view thereof;

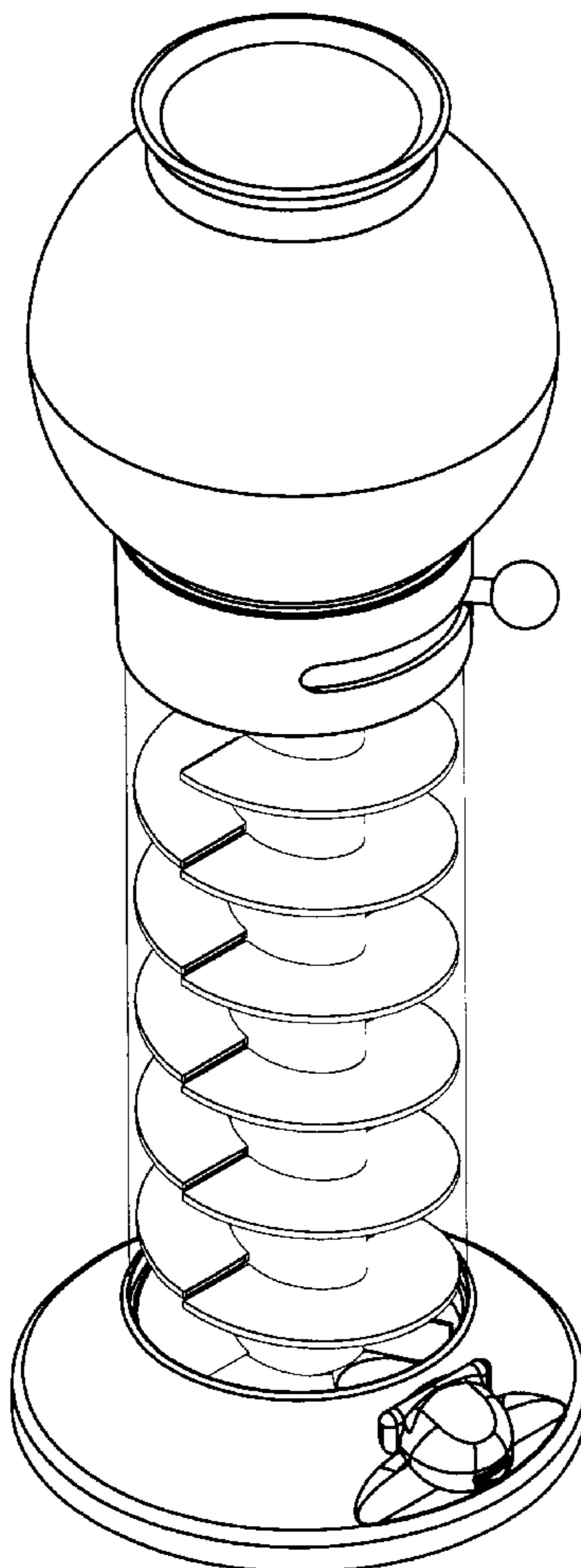
FIG. 3 is a rear view thereof;

FIG. 4 is a front view thereof;

FIG. 5 is a top plan view thereof; and,

FIG. 6 is a perspective view thereof.

1 Claim, 3 Drawing Sheets



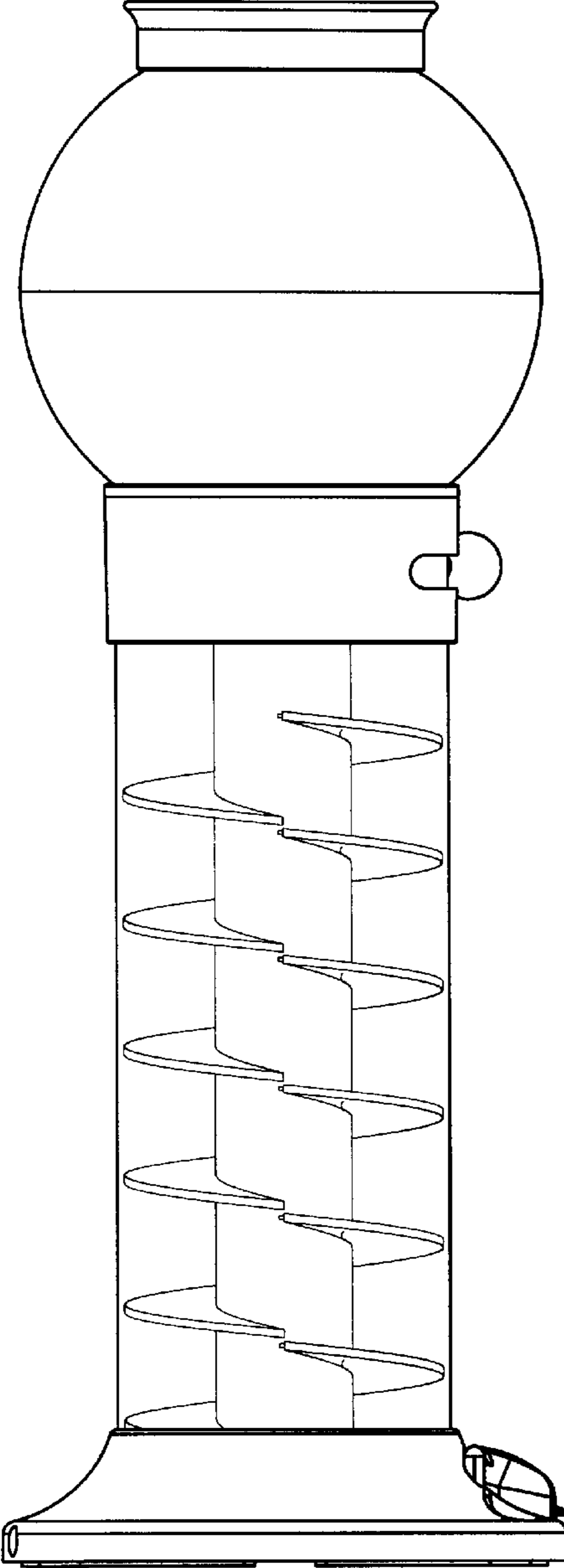


Fig. 1

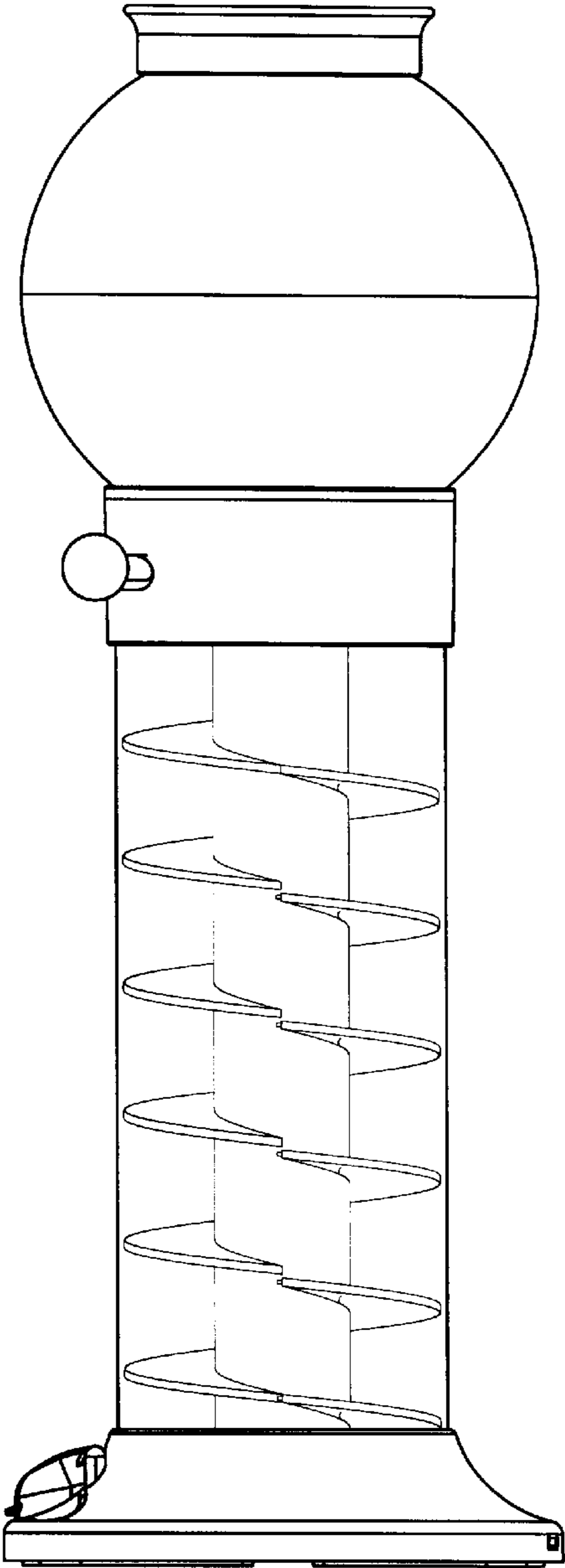


Fig. 2

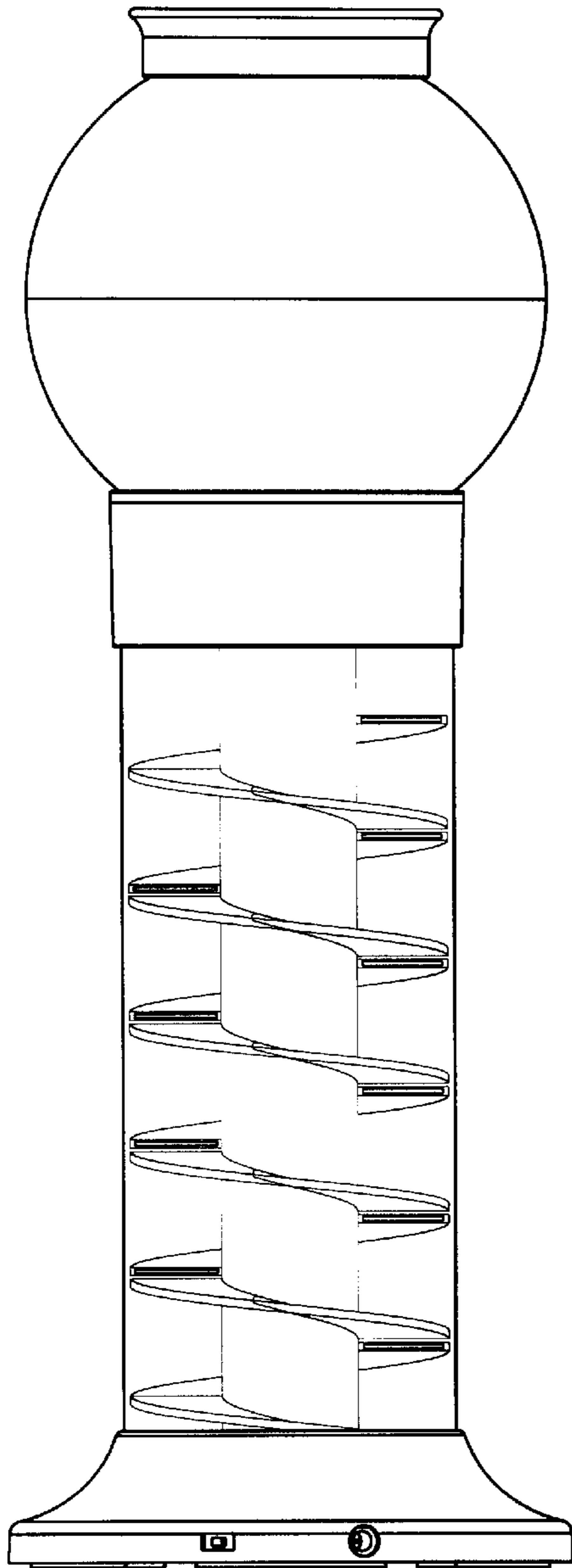


Fig. 3

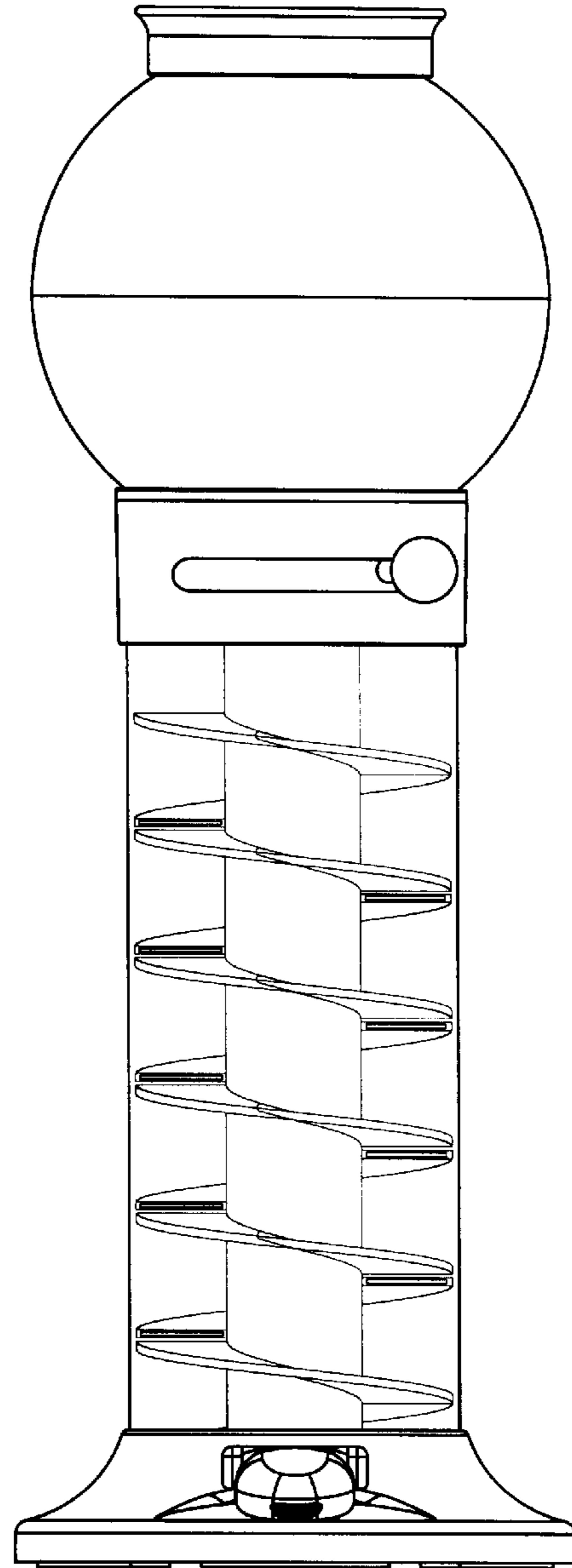


Fig. 4

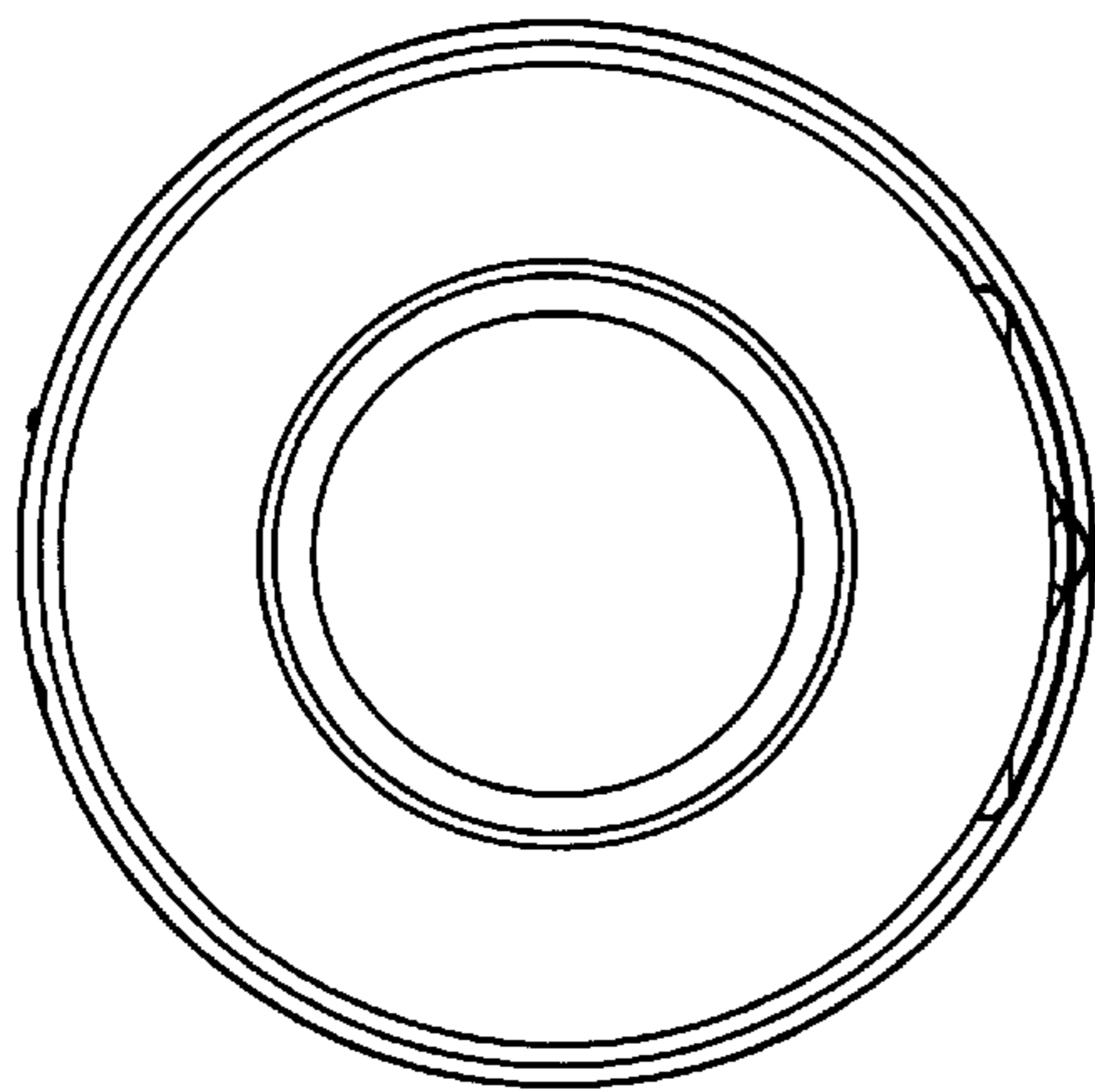


Fig. 5

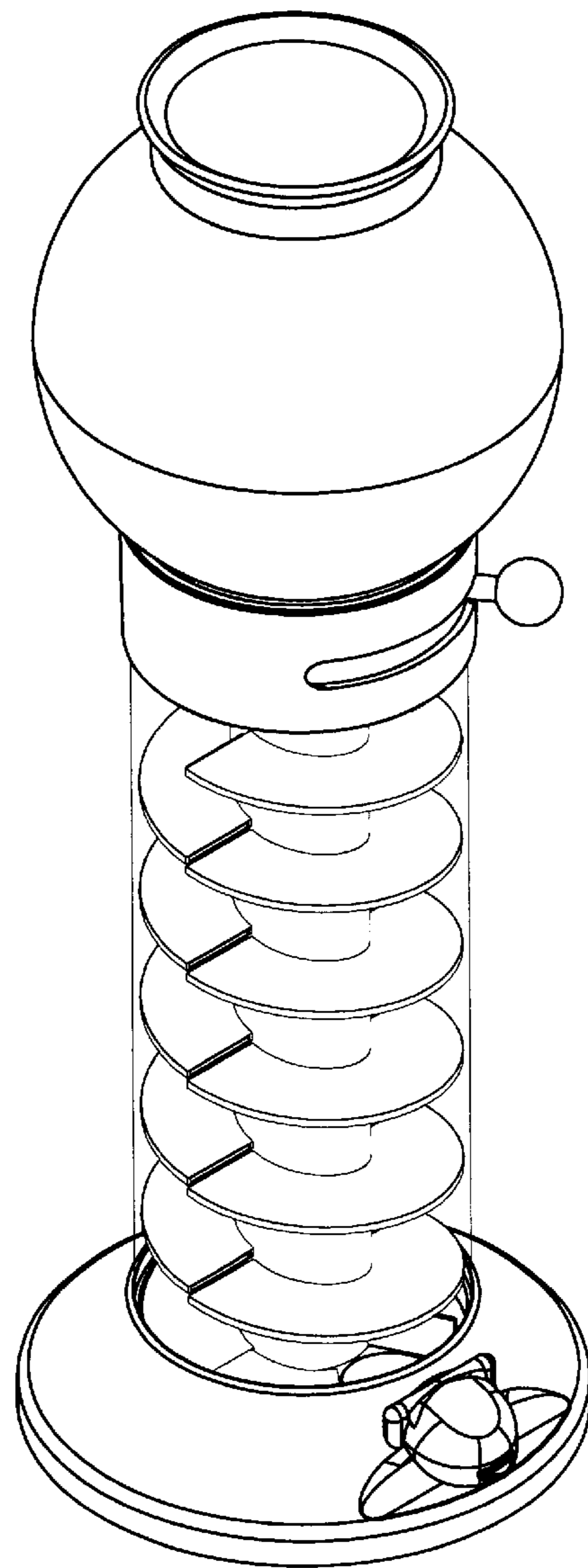


Fig. 6