

US00D499144S

(12) **United States Design Patent**  
**Chang**

(10) **Patent No.:** **US D499,144 S**

(45) **Date of Patent:** **\*\* Nov. 30, 2004**

(54) **ROTATABLE CARD HOLDER**

(76) **Inventor:** **Chun Yuan Chang**, P.O. Box 63-99,  
Taichung (TW), 406

(\*\*) **Term:** **14 Years**

(21) **Appl. No.:** **29/198,804**

(22) **Filed:** **Feb. 2, 2004**

(51) **LOC (7) Cl.** ..... **19-02**

(52) **U.S. Cl.** ..... **D19/76; D19/90**

(58) **Field of Search** ..... **D19/35, 36, 65,**  
**D19/75, 77, 78, 76, 81-85, 90, 91, 95,**  
**99, 100; D6/407, 629-635; 40/379; 312/9.46,**  
**189; 211/10, 11, 13.1, 58**

(56) **References Cited**

**U.S. PATENT DOCUMENTS**

1,445,340 A	*	2/1923	Meares	.....	312/9.46
D168,025 S	*	10/1952	Edison	.....	D19/75
3,710,487 A	*	1/1973	Saltz	.....	40/379
D226,687 S	*	4/1973	Saltz	.....	D19/76

D289,107 S	*	4/1987	McAlhany	.....	D6/629
D304,735 S	*	11/1989	Leszczak	.....	D19/76
D323,931 S	*	2/1992	Haynes	.....	D6/631
D371,917 S	*	7/1996	Thomas	.....	D6/407
D452,370 S	*	12/2001	La Greca	.....	D19/75 X

\* cited by examiner

*Primary Examiner*—Martie K. Holtje

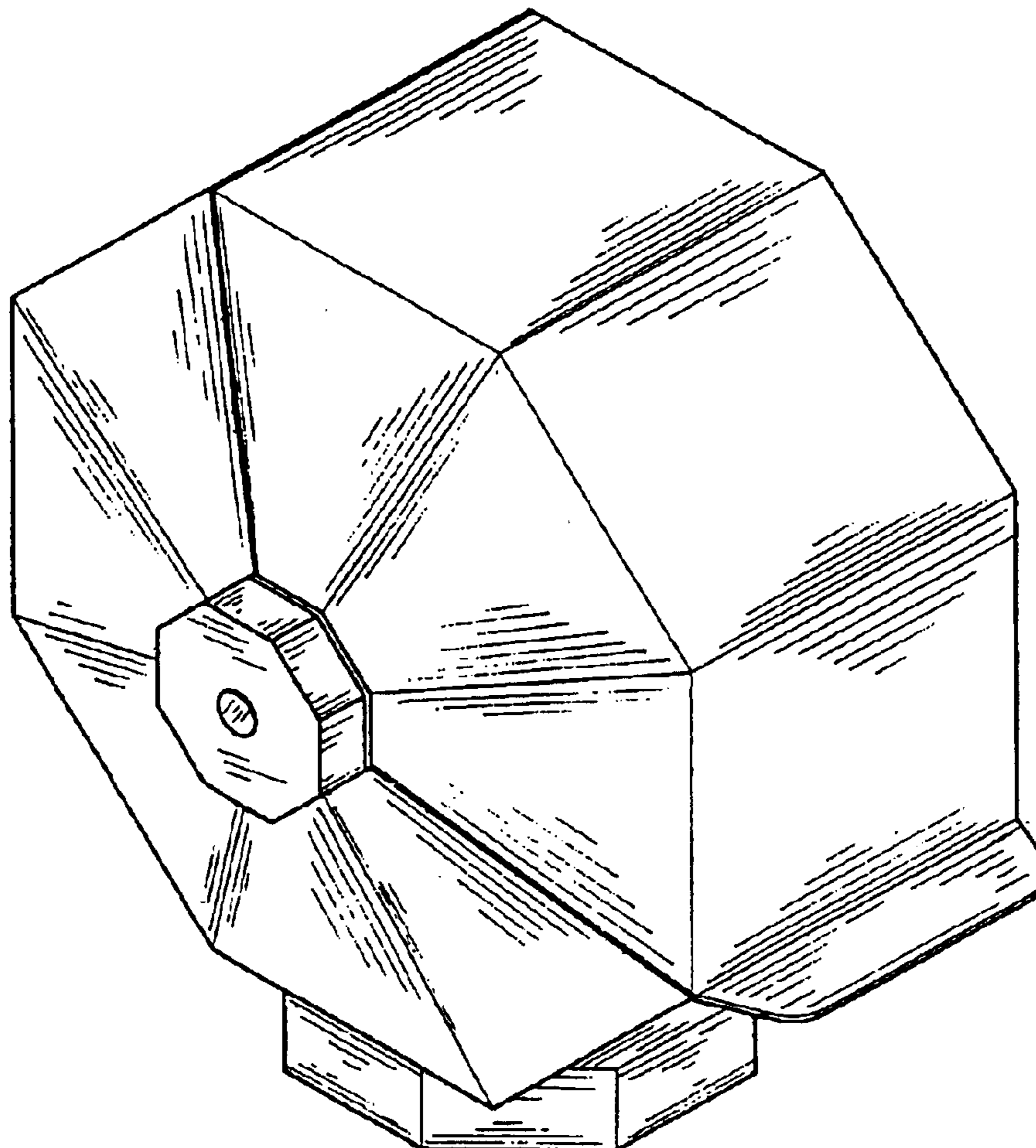
(57) **CLAIM**

The ornamental design for a rotatable card holder, as shown and described.

**DESCRIPTION**

FIG. 1 is a perspective view of a rotatable card holder showing my new design;  
FIG. 2 is a front elevational view thereof;  
FIG. 3 is a rear elevational view thereof;  
FIG. 4 is a top plan view thereof;  
FIG. 5 is a bottom plan view thereof;  
FIG. 6 is a left side elevational view thereof; and,  
FIG. 7 is a right side elevational view thereof.

**1 Claim, 4 Drawing Sheets**



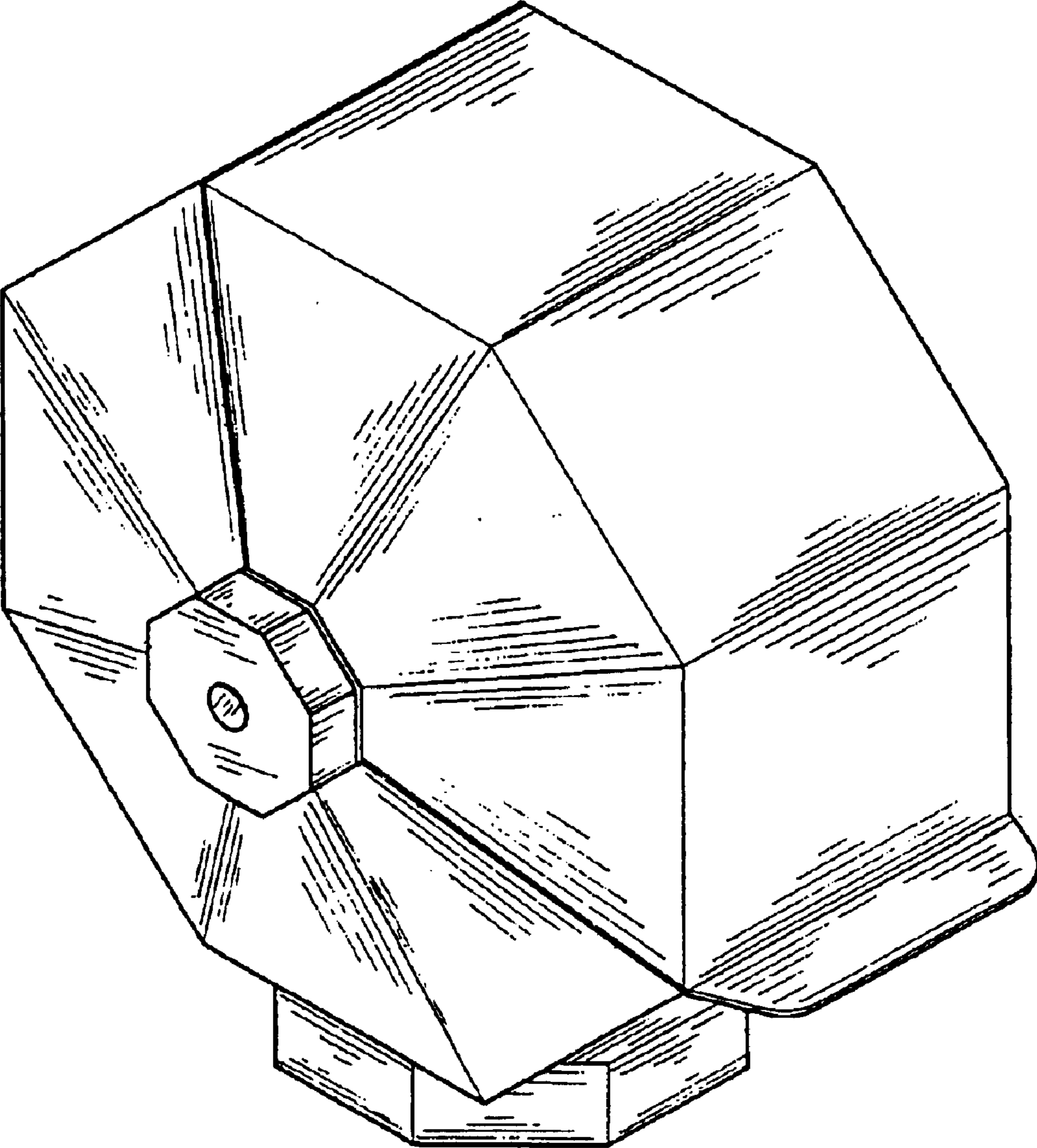


FIG. 1

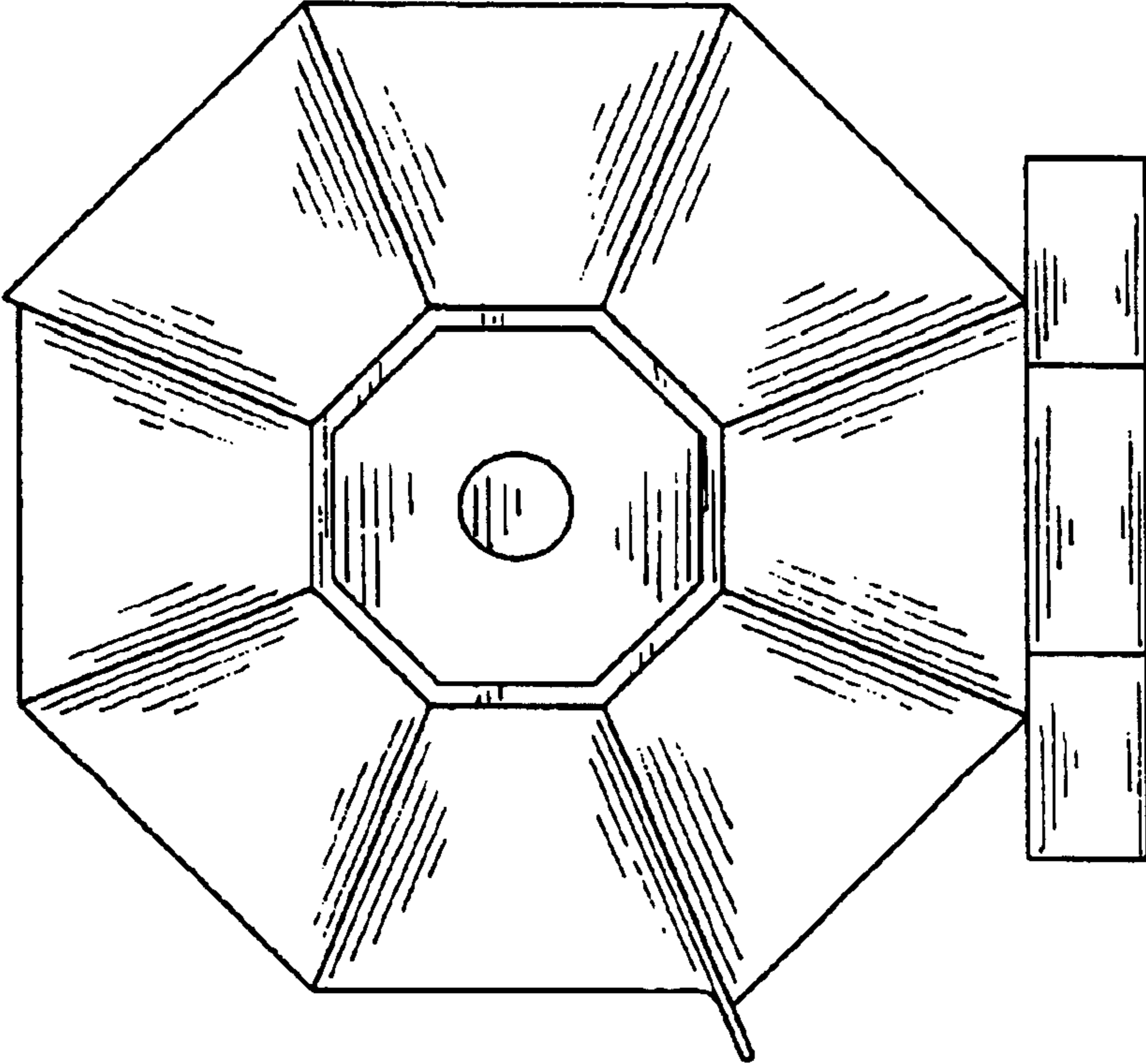


FIG. 3

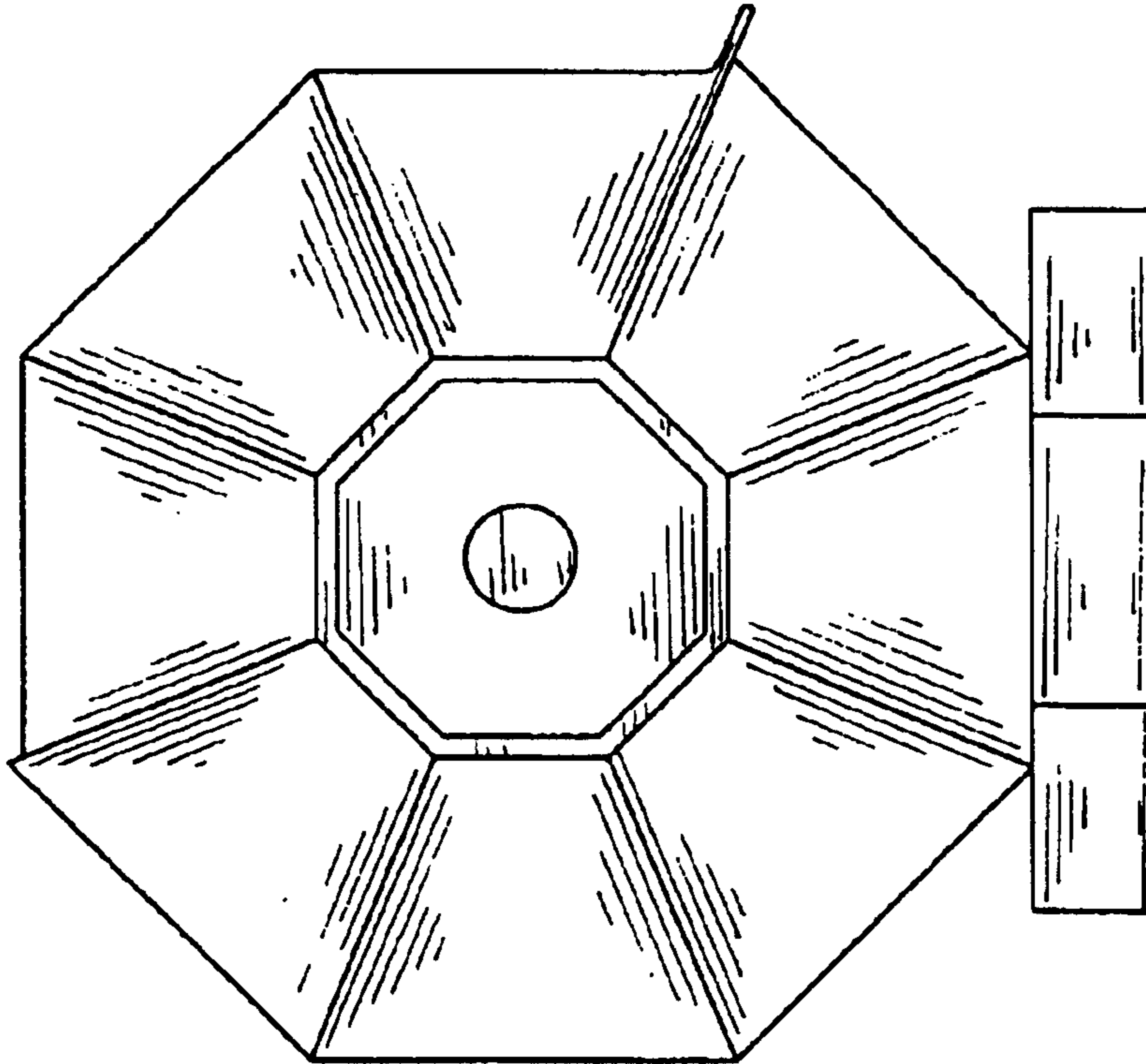


FIG. 2

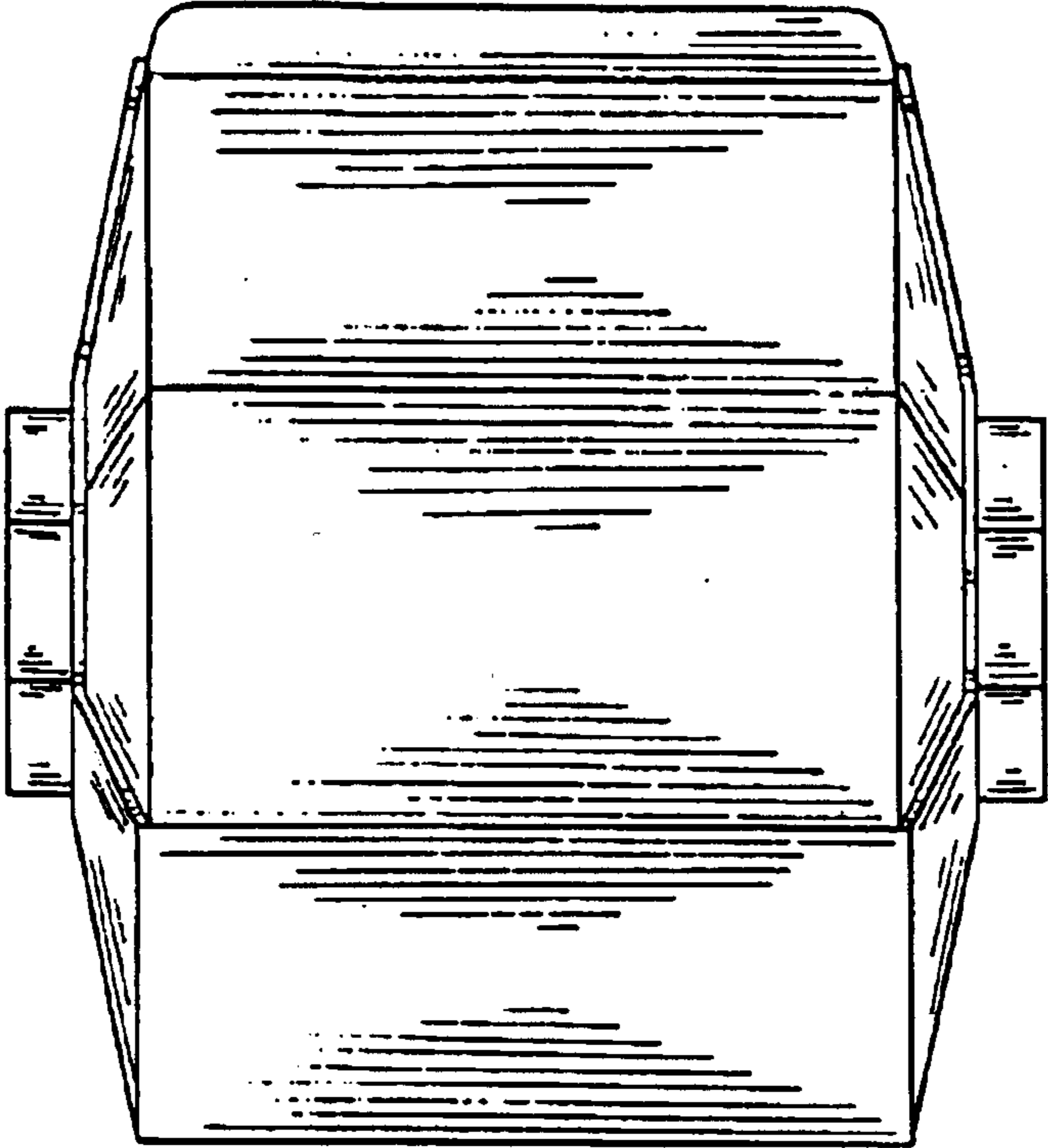


FIG. 4

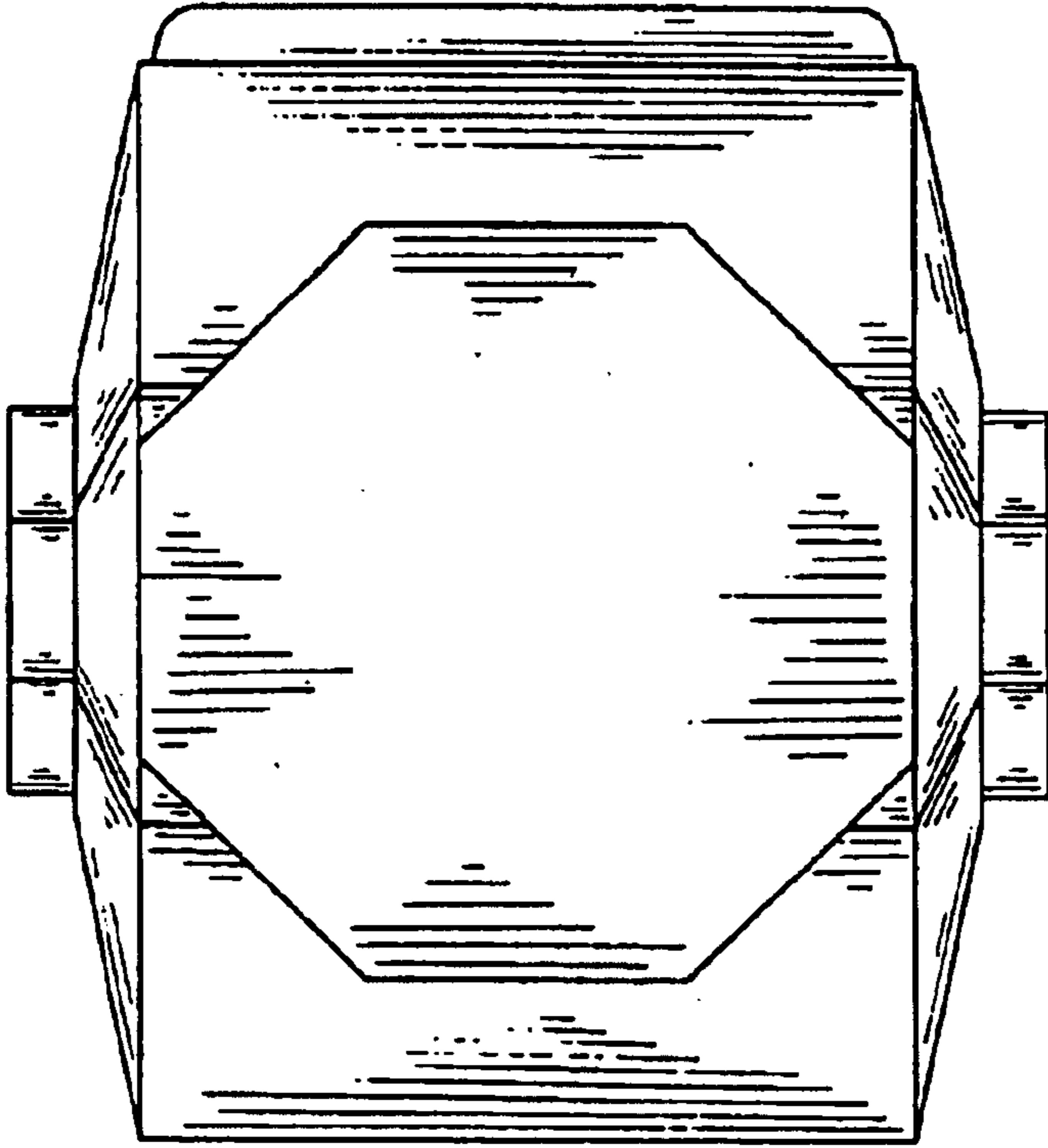


FIG. 5

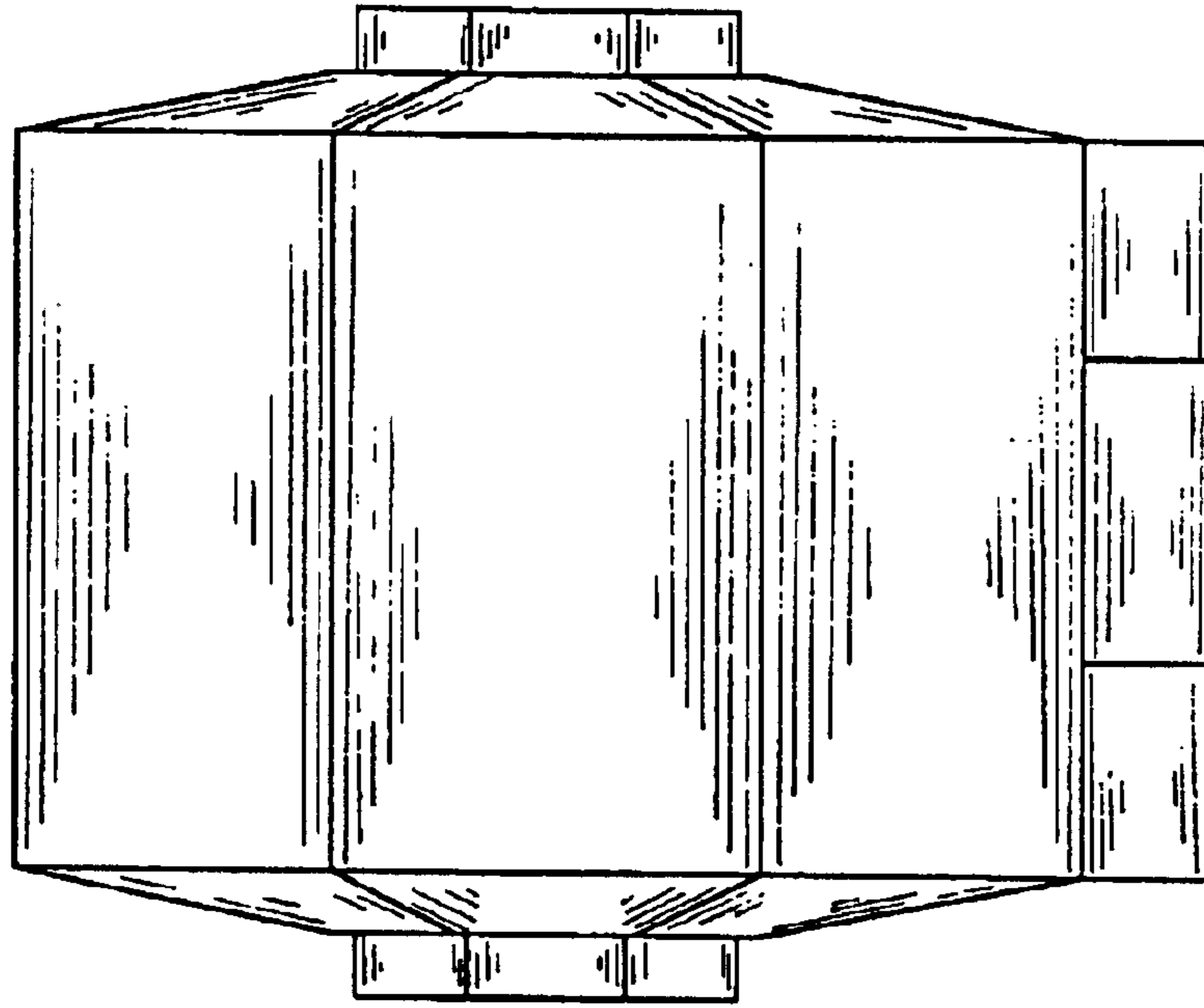


FIG. 6

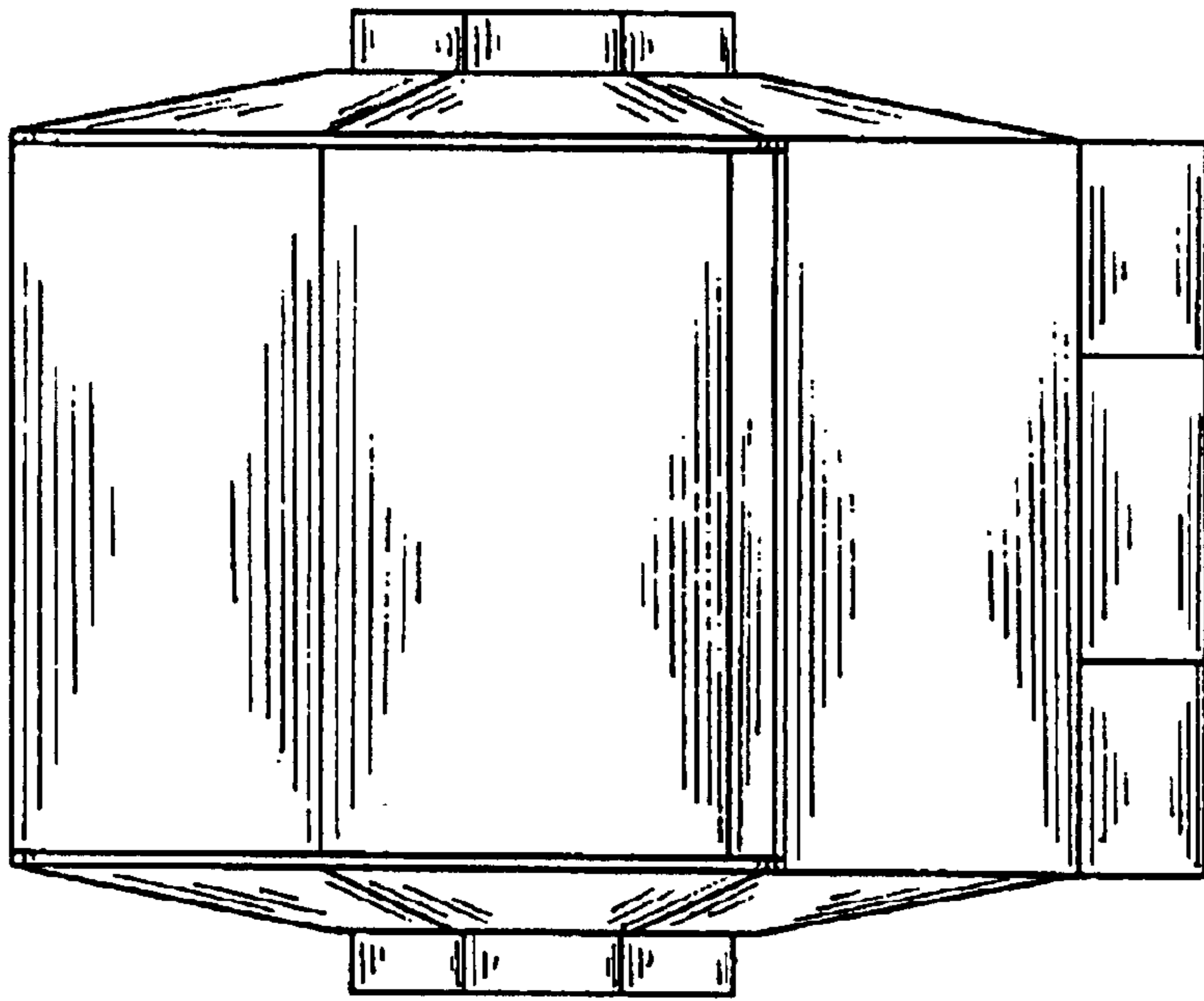


FIG. 7