



US00D499143S

(12) **United States Design Patent** (10) **Patent No.:** **US D499,143 S**
Wien et al. (45) **Date of Patent:** **** *Nov. 30, 2004**

(54) **LABEL APPLICATOR**

(75) Inventors: **Thomas Wien**, Newport Beach, CA (US); **James R. Yurchenco**, Palo Alto, CA (US); **Joseph Li-Hsing Hei**, Mountain View, CA (US); **Christopher M. Flink**, Los Altos, CA (US); **Kocheng Michael Wu**, Rowland Heights, CA (US); **Anthony Piazza, IV**, Redwood City, CA (US); **Chase Tyler Thompson**, East Palo Alto, CA (US); **Donald E. Banks**, Huntington Beach, CA (US); **Charles Richard Lewis, Jr.**, Palo Alto, CA (US); **Dana Robert Nicholson**, San Francisco, CA (US); **Jerry G. Hodsdon**, Forestdale, MA (US)

(73) Assignee: **Avery Dennison Corporation**, Pasadena, CA (US)

(*) Notice: This patent is subject to a terminal disclaimer.

(**) Term: **14 Years**

(21) Appl. No.: **29/158,945**

(22) Filed: **Apr. 11, 2002**

(51) **LOC (7) Cl.** **19-02**

(52) **U.S. Cl.** **D19/67; D19/65**

(58) **Field of Search** **D19/65, 66, 67, D19/68, 69, 99, 100; 156/391, 514, 538, 556, 577, 579, 580, DIG. 1, DIG. 2, 293, DIG. 24, 379.8**

(56) **References Cited**

U.S. PATENT DOCUMENTS

5,783,031 A * 7/1998 Sievers 156/556
5,799,982 A 9/1998 McClure et al.

5,925,200 A 7/1999 Grossman
5,951,819 A 9/1999 Hummell et al.
5,958,177 A 9/1999 Claussnitzer
D421,057 S * 2/2000 Hummell et al. D19/65
6,054,009 A 4/2000 Cote et al.
6,148,891 A * 11/2000 Lee 156/391
6,196,290 B1 * 3/2001 Tracy et al. 156/391
6,227,273 B1 * 5/2001 McClure 156/556
6,240,990 B1 * 6/2001 Claussnitzer 156/391
6,273,167 B1 * 8/2001 Miller 156/391
6,315,021 B1 * 11/2001 Lee et al. 156/391
2001/0025689 A1 10/2001 Barnet

* cited by examiner

Primary Examiner—Martie K. Holtje

(74) *Attorney, Agent, or Firm*—Squire, Sanders & Dempsey, L.L.P.

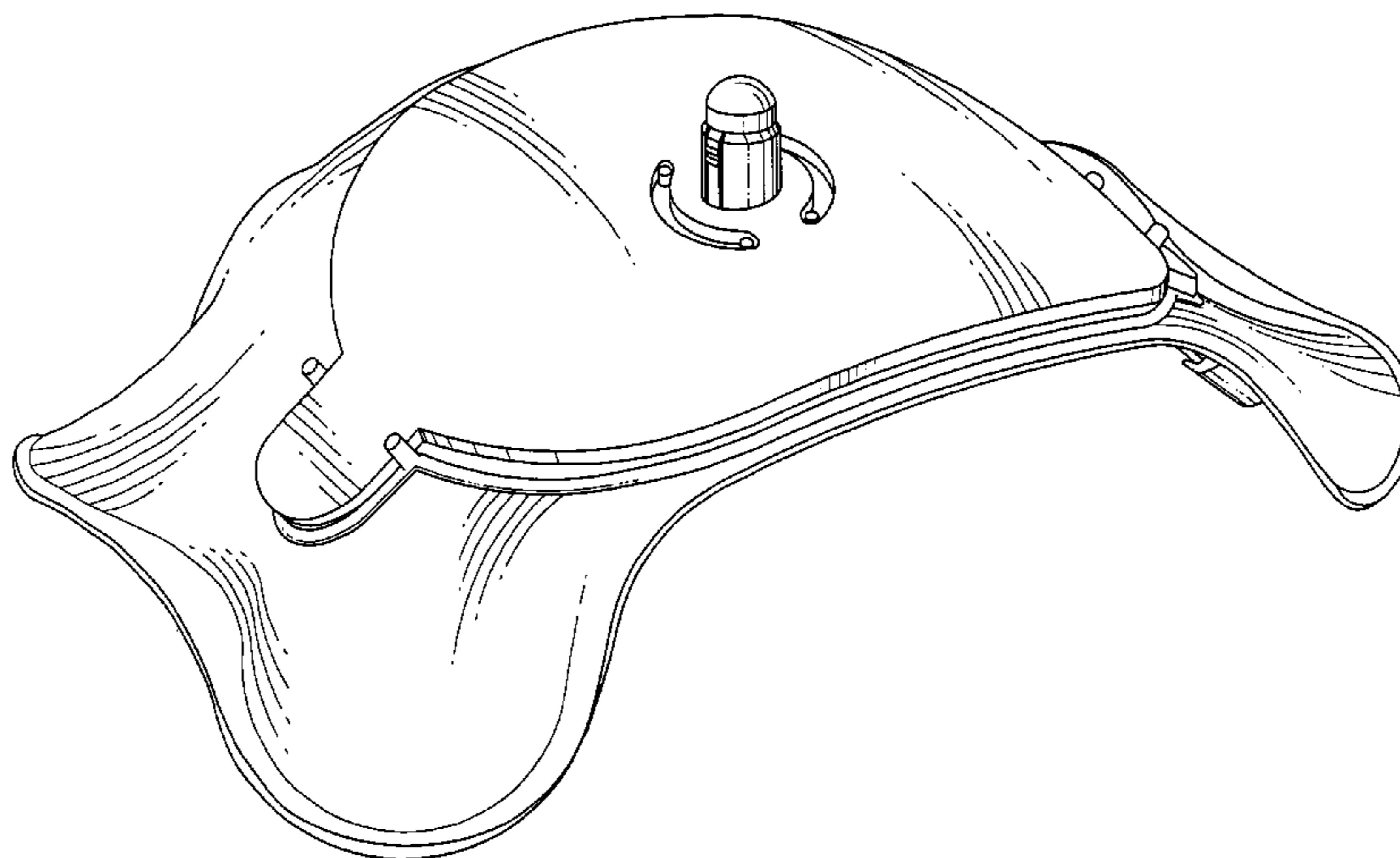
(57) **CLAIM**

The ornamental design for a label applicator, as shown and described.

DESCRIPTION

This application claims the benefit of International Application No. PCT/US01/16648, filed May 22, 2001, and whose entire contents are hereby incorporated by reference. FIG. 1 is a top perspective view of a label applicator of the present invention; FIG. 2 is a top elevational view thereof; FIG. 3 is a front elevational view thereof; the rear elevational view thereof being a mirror image thereof; FIG. 4 is a bottom plan view thereof; FIG. 5 is a right end view thereof; the left end view being a mirror image thereof; FIG. 6 is a view similar to FIG. 3 showing the label applicator in an alternative position; the rear elevational view thereof being a mirror image thereof; and, FIG. 7 is a right end view of the label applicator of FIG. 1 in the position of FIG. 6; the left end view being a mirror image thereof.

1 Claim, 4 Drawing Sheets



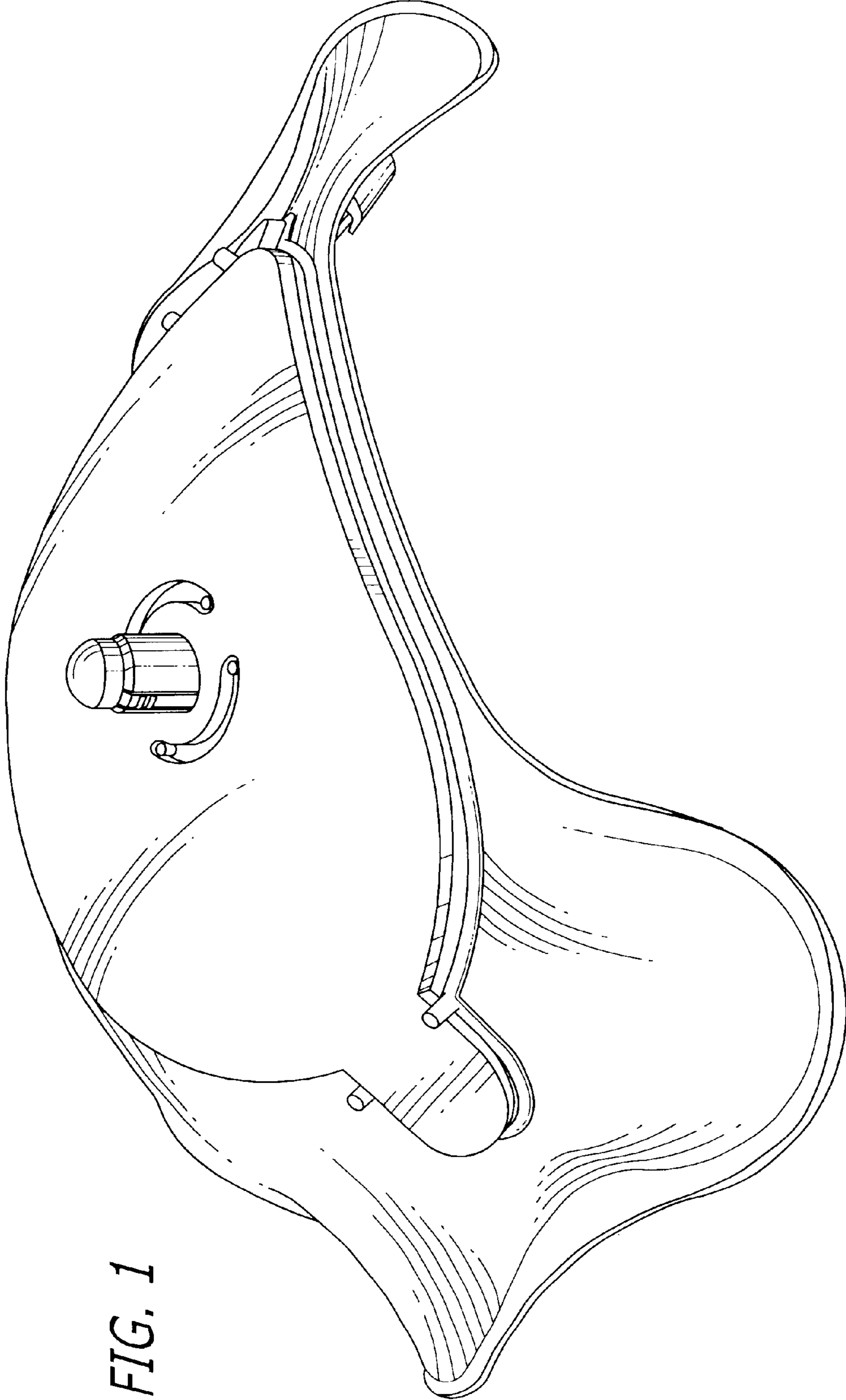


FIG. 1

FIG. 2

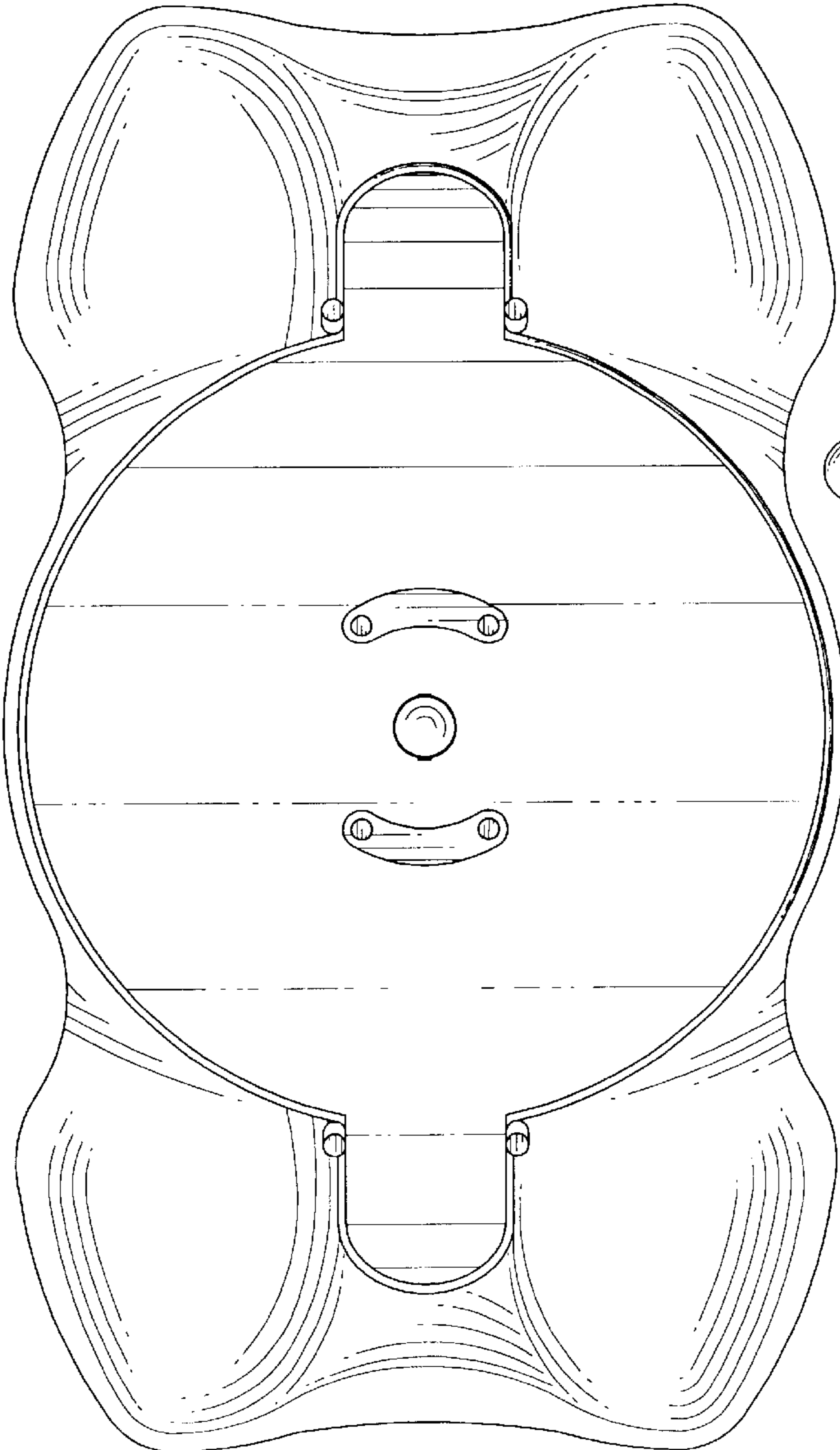


FIG. 3

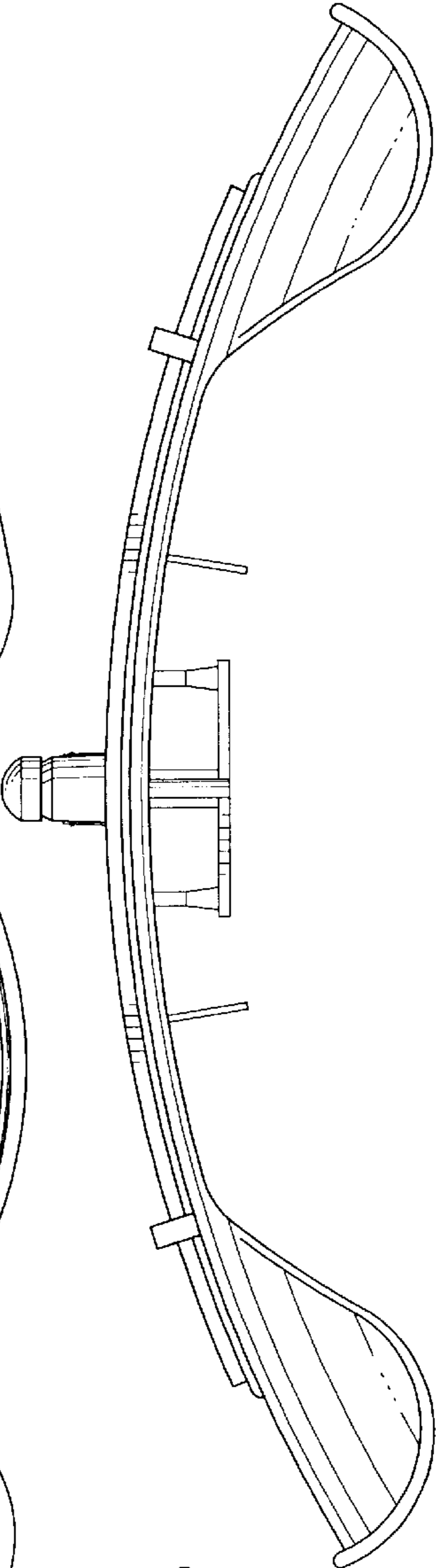


FIG. 4

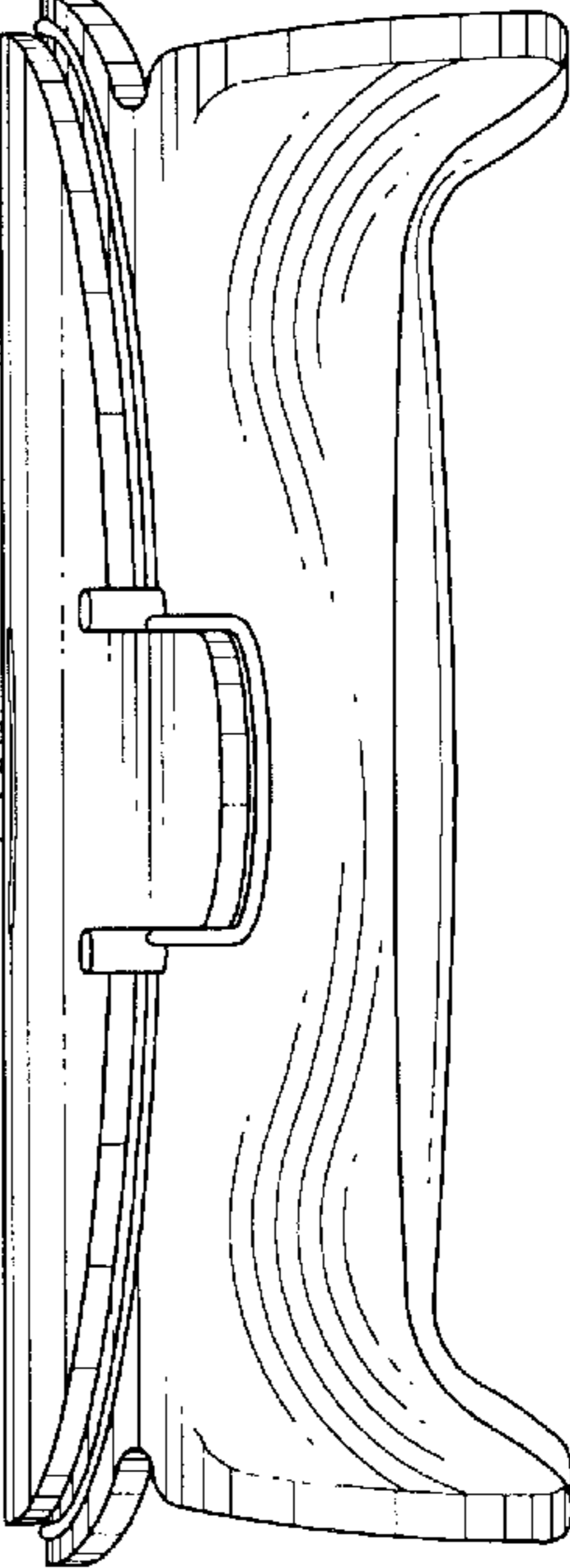
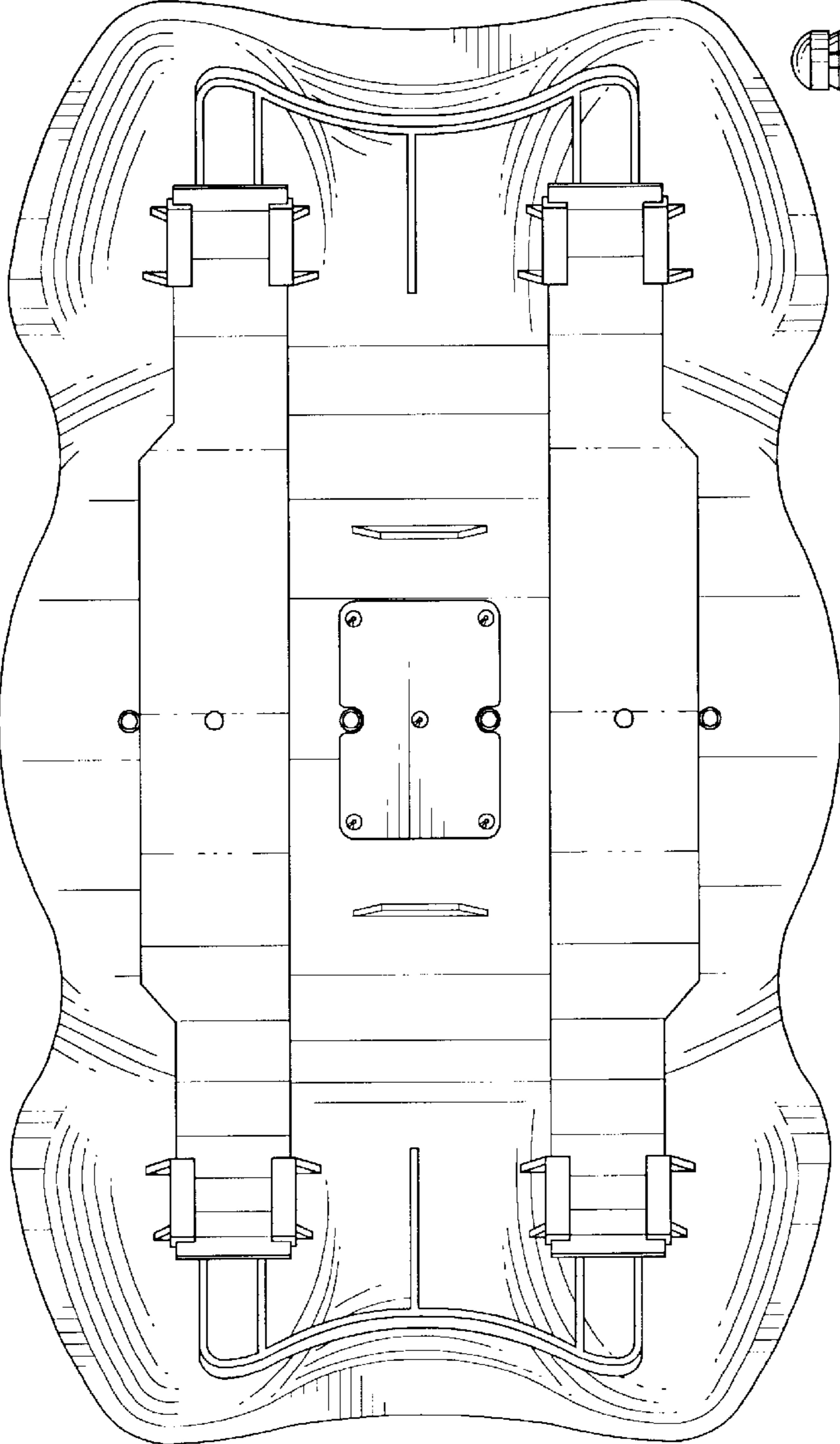


FIG. 5

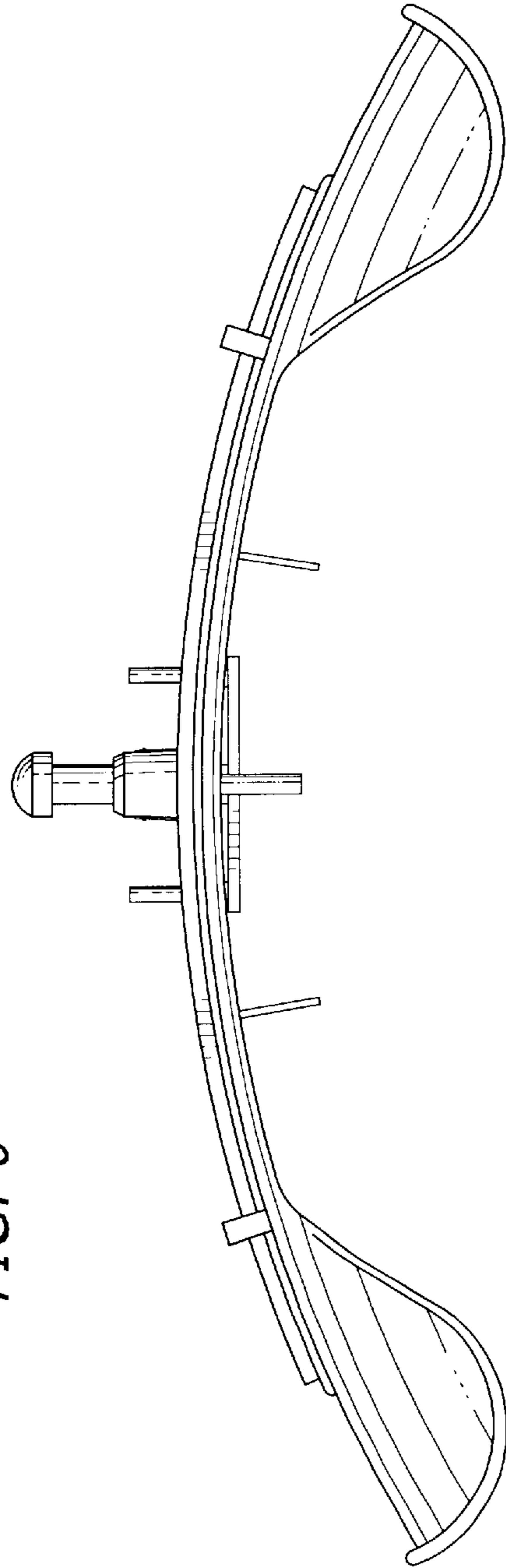


FIG. 6

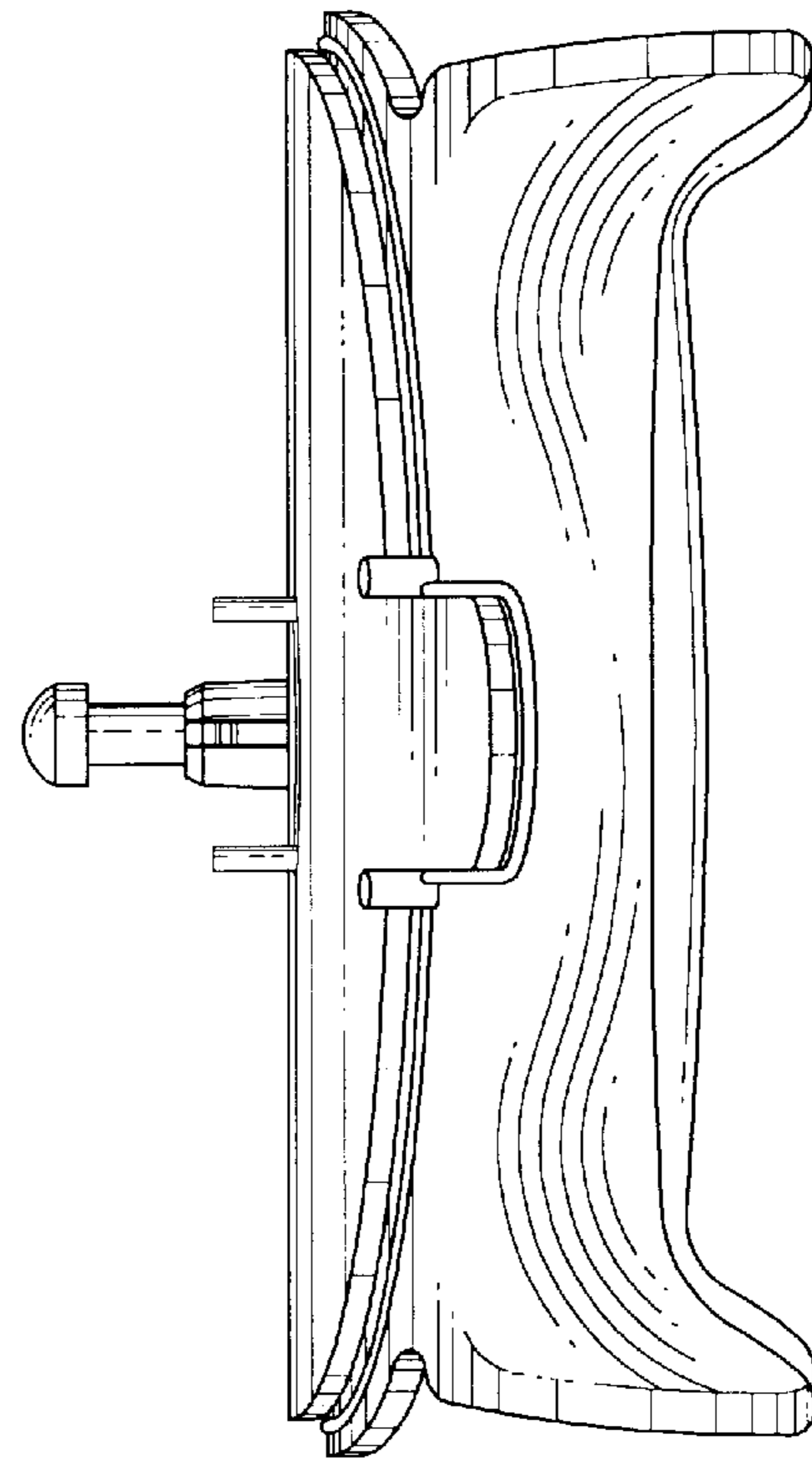


FIG. 7