

US00D499137S

(12) **United States Design Patent**
Shibata

(10) **Patent No.:** **US D499,137 S**

(45) **Date of Patent:** **** Nov. 30, 2004**

(54) **MARKING PEN**

(75) **Inventor:** **Tomoaki Shibata, Tokyo (JP)**

(73) **Assignee:** **Pentel Kabushiki Kaisha, Tokyo (JP)**

(**) **Term:** **14 Years**

(21) **Appl. No.:** **29/193,273**

(22) **Filed:** **Nov. 6, 2003**

(30) **Foreign Application Priority Data**

May 13, 2003 (JP) 2003-013130

(51) **LOC (7) Cl.** **19-06**

(52) **U.S. Cl.** **D19/43; D19/50; D19/56**

(58) **Field of Search** D19/35, 36, 41-51,
D19/53-58, 81-85; 401/6, 7, 88, 17, 18-20,
29-34, 98, 196, 198, 202, 209, 213, 243-247,
260-262

(56) **References Cited**

U.S. PATENT DOCUMENTS

D138,825 S	*	9/1944	Waldinger	D19/50
D398,494 S	*	9/1998	Bickford et al.	D19/47 X
D407,436 S	*	3/1999	Chevalier et al.	D19/43
5,941,650 A	*	8/1999	Fukai et al.	401/202

D441,017 S	*	4/2001	Gault et al.	D19/50
D442,636 S	*	5/2001	Kobayashi	D19/43
D445,827 S	*	7/2001	Stropkay et al.	D19/43
D461,501 S	*	8/2002	Nishida	D19/43
D462,990 S	*	9/2002	Hwang	D19/43
D472,574 S	*	4/2003	Andrews et al.	D19/55 X
D484,536 S	*	12/2003	Takanashi	D19/57 X

* cited by examiner

Primary Examiner—Martie K. Holtje

(74) *Attorney, Agent, or Firm*—Adams & Wilks

(57) **CLAIM**

The ornamental design for a marking pen, as shown and described.

DESCRIPTION

FIG. 1 is a perspective view of a marking pen showing my new design;
FIG. 2 is a front elevational view thereof;
FIG. 3 is a bottom elevational view thereof;
FIG. 4 is a rear elevational view thereof;
FIG. 5 is a plan elevational view thereof;
FIG. 6 is a left side view thereof; and,
FIG. 7 is a right side view thereof.

1 Claim, 2 Drawing Sheets

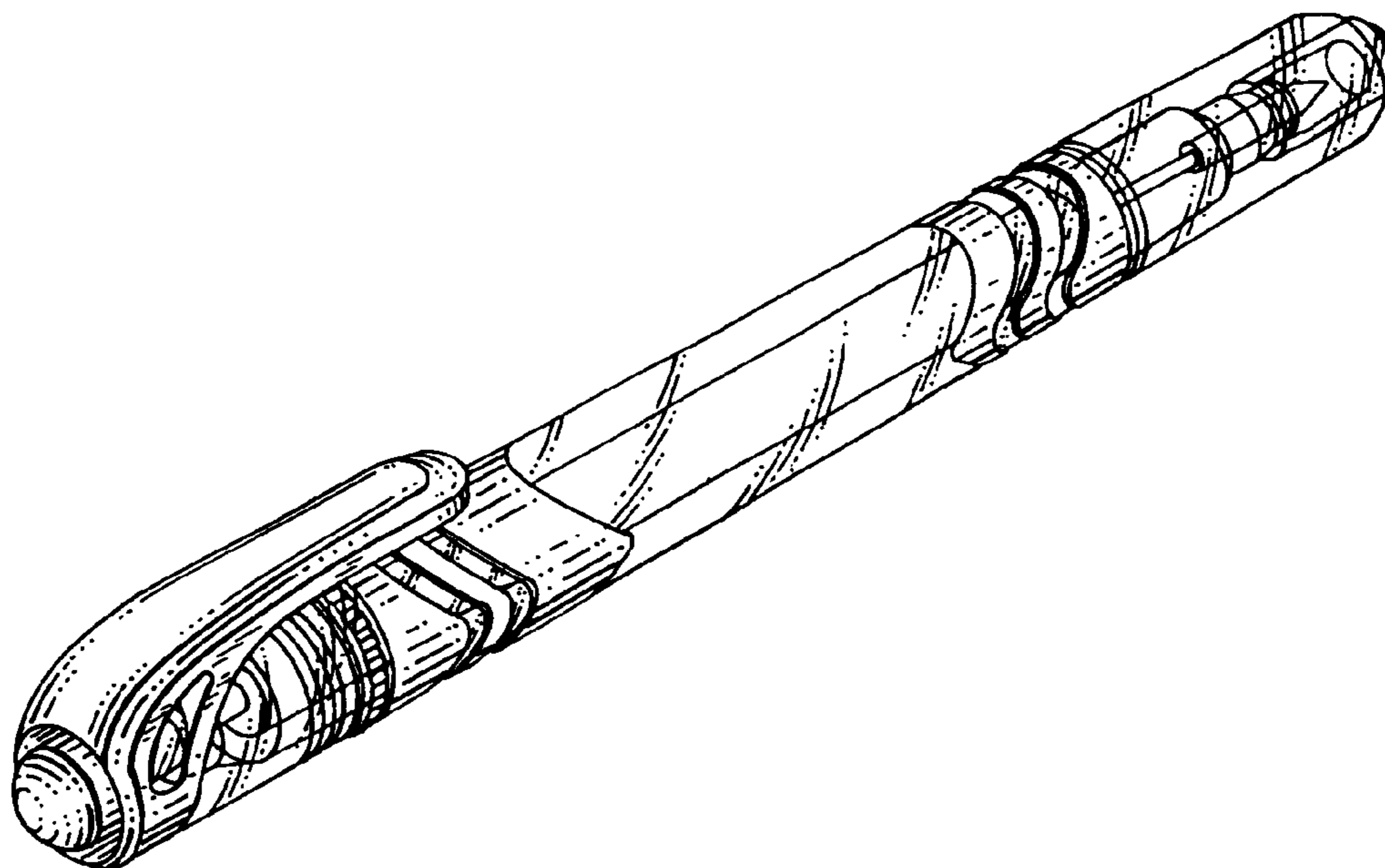


FIG. 1

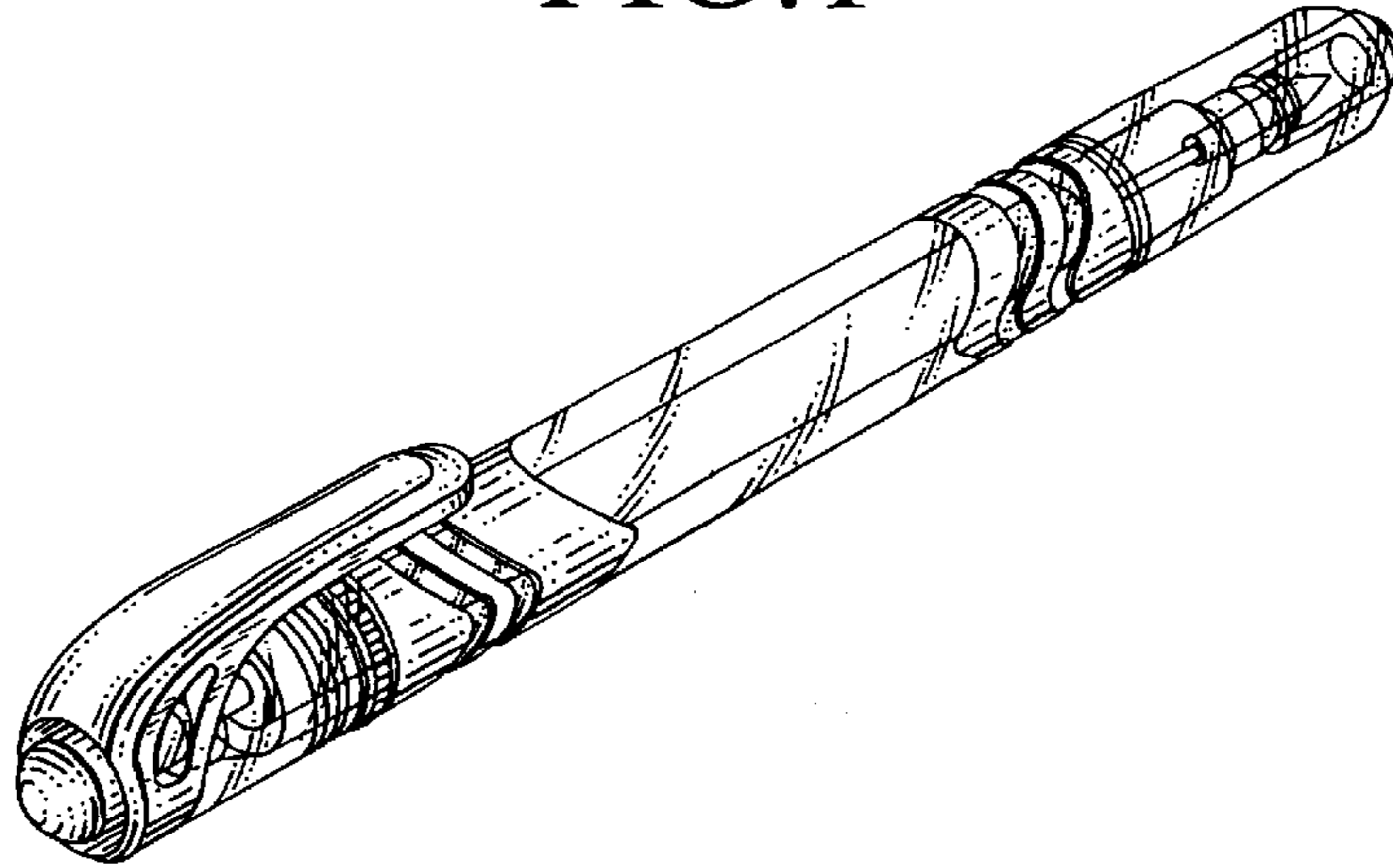


FIG. 2

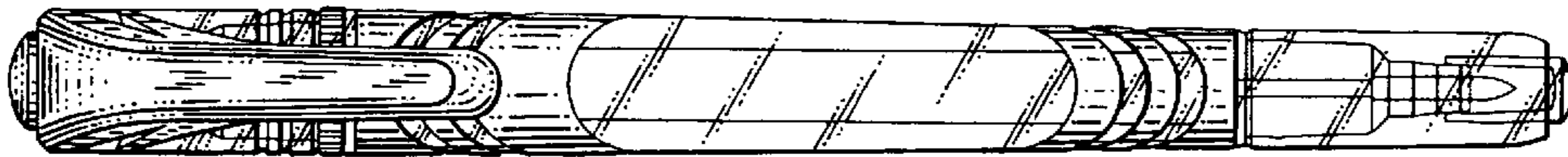


FIG. 3

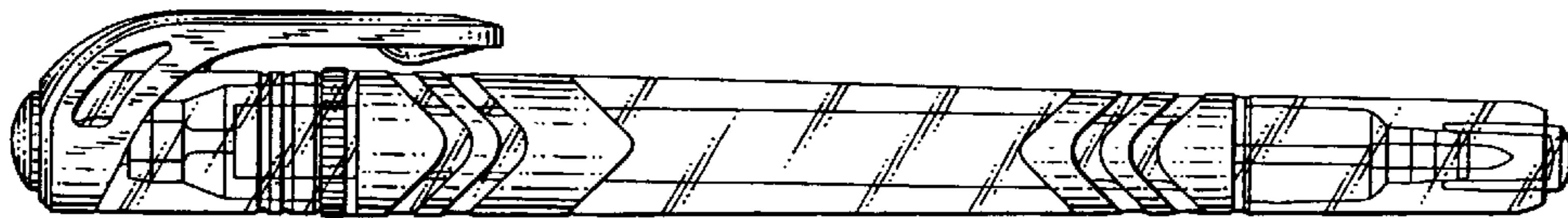


FIG. 4



FIG. 5

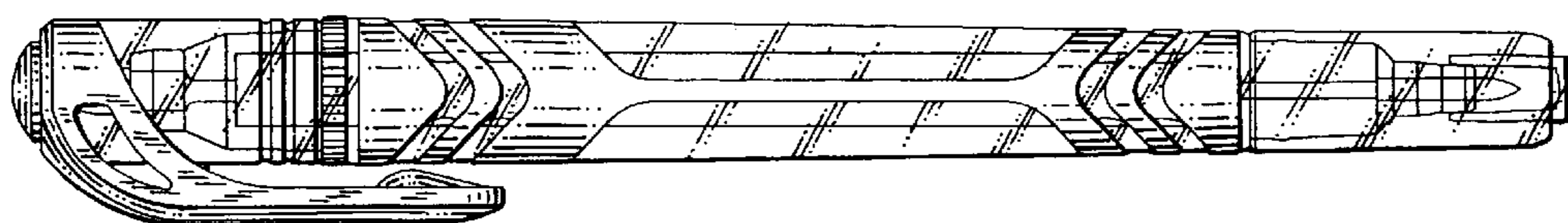


FIG. 6

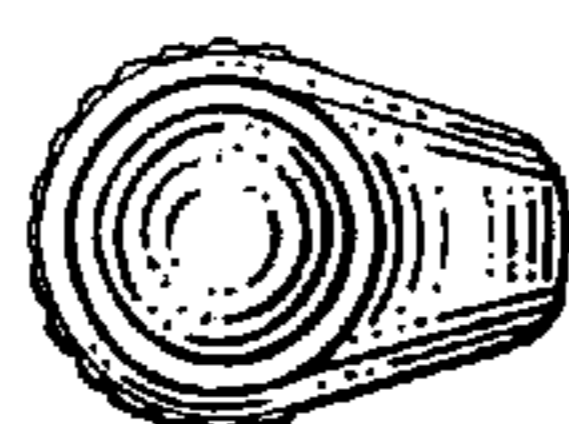


FIG. 7

