



US00D499136S

(12) **United States Design Patent** (10) **Patent No.:** **US D499,136 S**  
**Balliet** (45) **Date of Patent:** **\*\* Nov. 30, 2004**

(54) **ERASABLE JOTTING PAD WITH PRESSURE ADHESIVE FOR ATTACHING TO TAPE MEASURE**

(76) Inventor: **James L. Balliet**, 531 S. Main St., Perkasi, PA (US) 18944

(\*\*) Term: **14 Years**

(21) Appl. No.: **29/201,092**

(22) Filed: **Mar. 11, 2004**

(51) **LOC (7) Cl.** ..... **19-01**

(52) **U.S. Cl.** ..... **D19/6**

(58) **Field of Search** ..... D19/1, 2, 3, 4, D19/5, 6, 28, 42, 97; 33/760, 761, 768, 769, 770; 281/15.1, 39, 44, 45; 434/408, 422; D20/11

(56) **References Cited**

**U.S. PATENT DOCUMENTS**

D137,686	S	*	4/1944	Maienthau	.....	D19/28
3,041,760	A	*	7/1962	Slavsky	.....	40/661.03
D217,326	S	*	4/1970	Klamer	.....	D9/322
3,672,597	A		6/1972	Williamson		
3,838,520	A		10/1974	Quenot		
D286,861	S	*	11/1986	Hollinger et al.	.....	D10/62
4,665,620	A	*	5/1987	Osteen	.....	33/760
4,766,673	A	*	8/1988	Bolson	.....	33/760
4,786,010	A		11/1988	Dynan		
D320,570	S	*	10/1991	Lin	.....	D10/72
5,079,851	A	*	1/1992	Sill	.....	33/760
D344,977	S	*	3/1994	Monzyk	.....	D19/42
D356,335	S	*	3/1995	Mak	.....	D19/52
5,430,952	A	*	7/1995	Betts	.....	33/760
5,459,942	A	*	10/1995	Hintz, Jr.	.....	33/768

D365,770	S	*	1/1996	Hines	.....	D10/78
5,575,506	A		11/1996	Gardenhour, Jr. et al.		
D394,882	S	*	6/1998	Ho	.....	D20/42
5,845,413	A	*	12/1998	Zayat, Jr.	.....	33/760
D483,681	S	*	12/2003	Mailloux	.....	D10/72
2003/0011190	A1	*	1/2003	Ryan	.....	281/45
2004/0068885	A1	*	4/2004	Rubin	.....	33/761

**OTHER PUBLICATIONS**

Atlas Pen & Pencil Corp. catalog, Advertise With Atlas Ideas, p. 20 and 21, Magnetic reminders item No. 6-8311.\*

\* cited by examiner

*Primary Examiner*—Joel Sincavage

*Assistant Examiner*—Elizabeth Albert

(74) *Attorney, Agent, or Firm*—Donald R. Schoonover

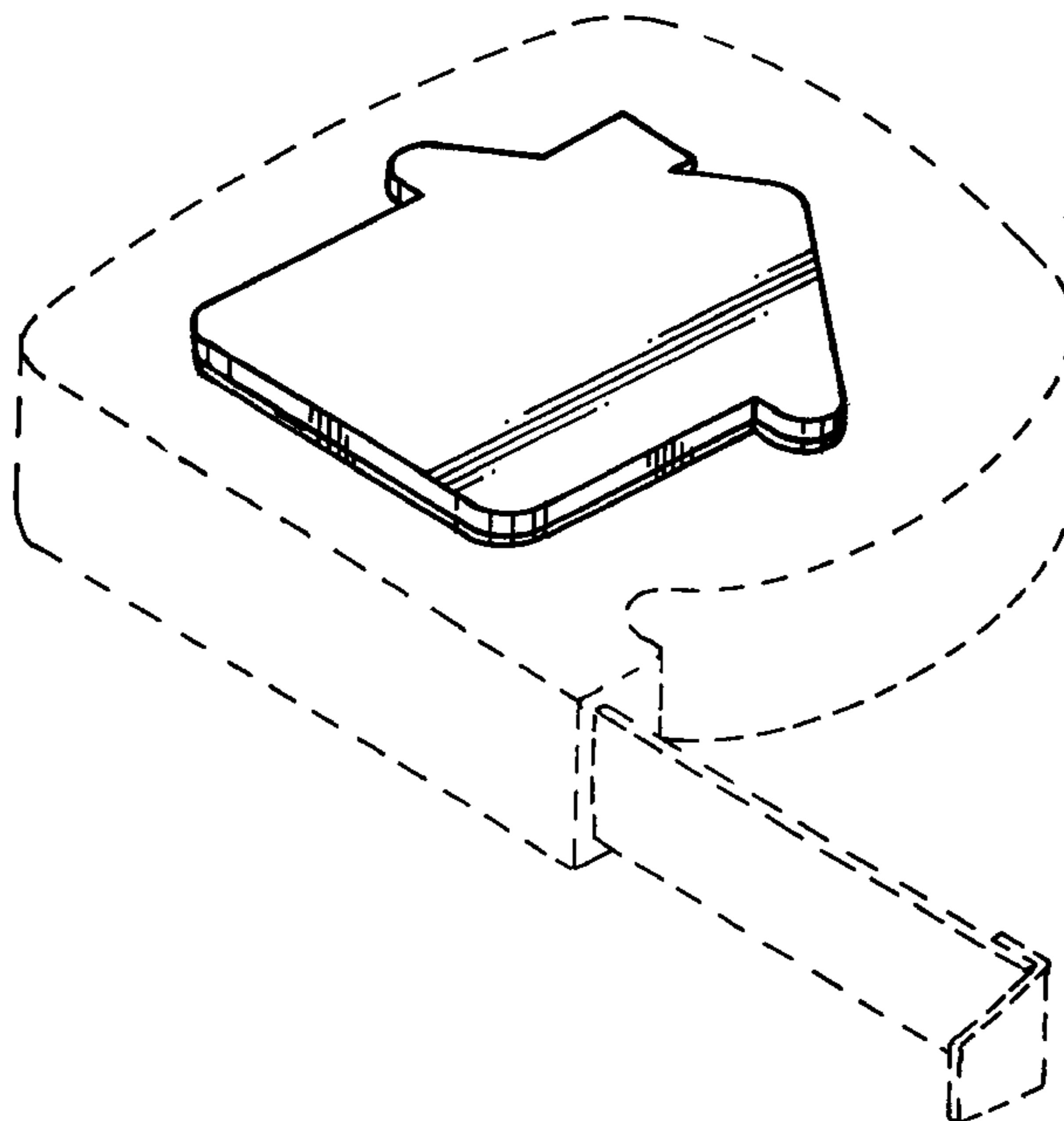
(57) **CLAIM**

I claim the ornamental design for an erasable jotting pad with pressure adhesive for attaching to tape measure, as shown and described.

**DESCRIPTION**

FIG. 1 is a perspective view of an erasable jotting pad with pressure adhesive for attaching to tape measure showing my new design in use; the broken lines depict environmental structure for illustrative purposes only and form no part of the claimed design;  
 FIG. 2 is a front elevational view thereof;  
 FIG. 3 is a rear elevational view thereof;  
 FIG. 4 is a left side elevational view thereof;  
 FIG. 5 is a right side elevational view thereof;  
 FIG. 6 is a top plan view thereof; and,  
 FIG. 7 is a bottom plan view thereof.

**1 Claim, 3 Drawing Sheets**



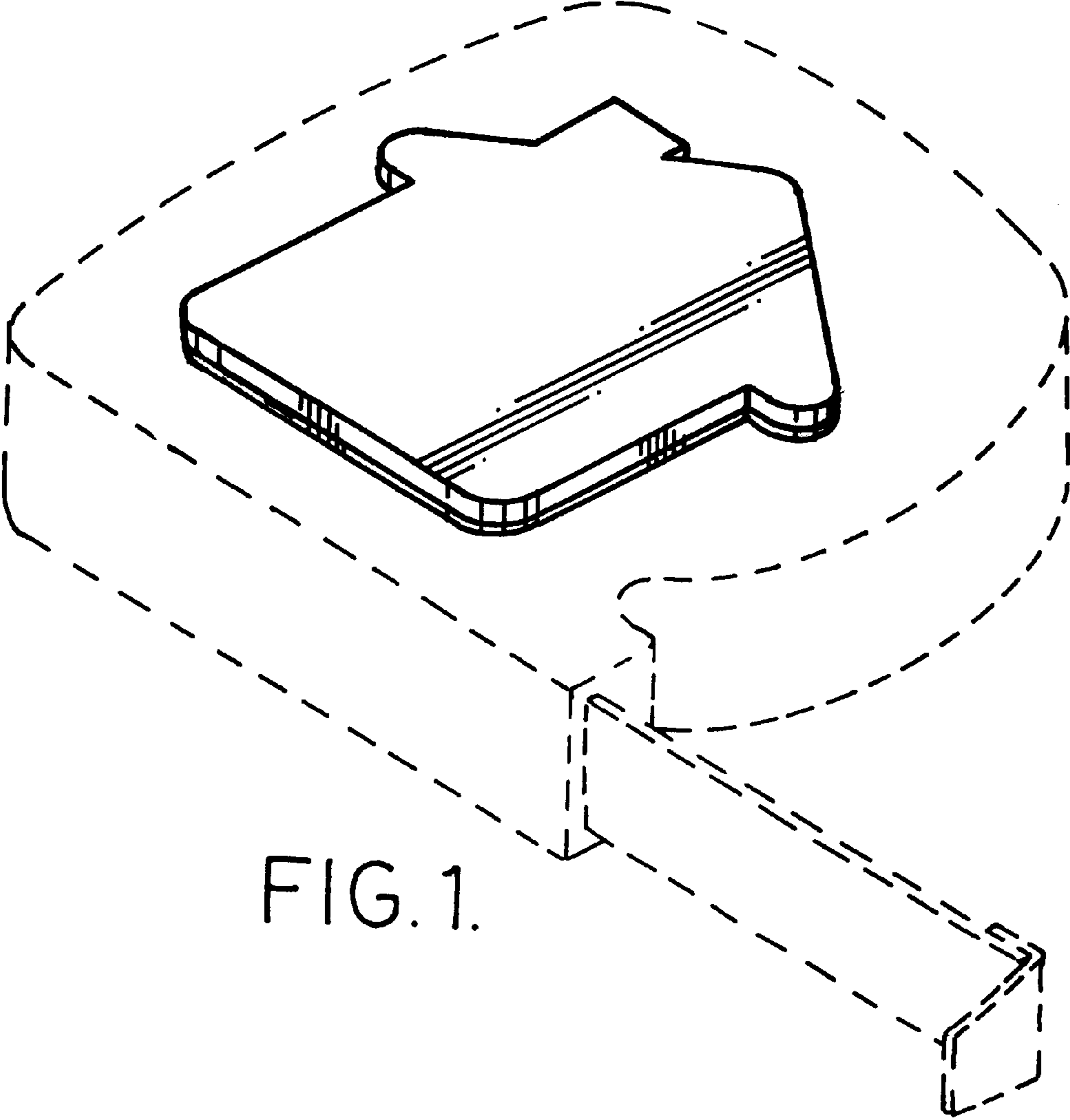


FIG. 1.

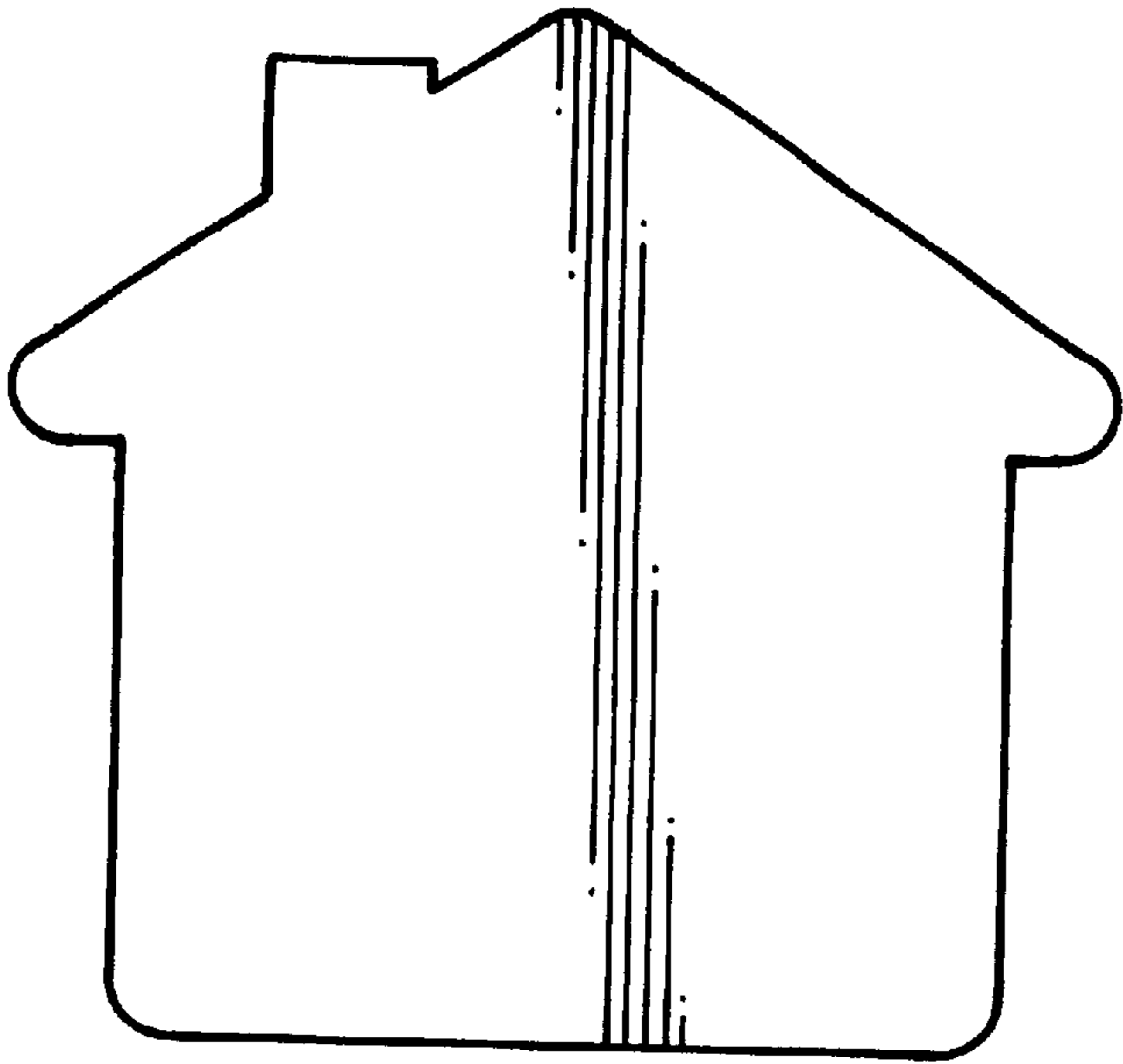


FIG. 2.



FIG. 4.

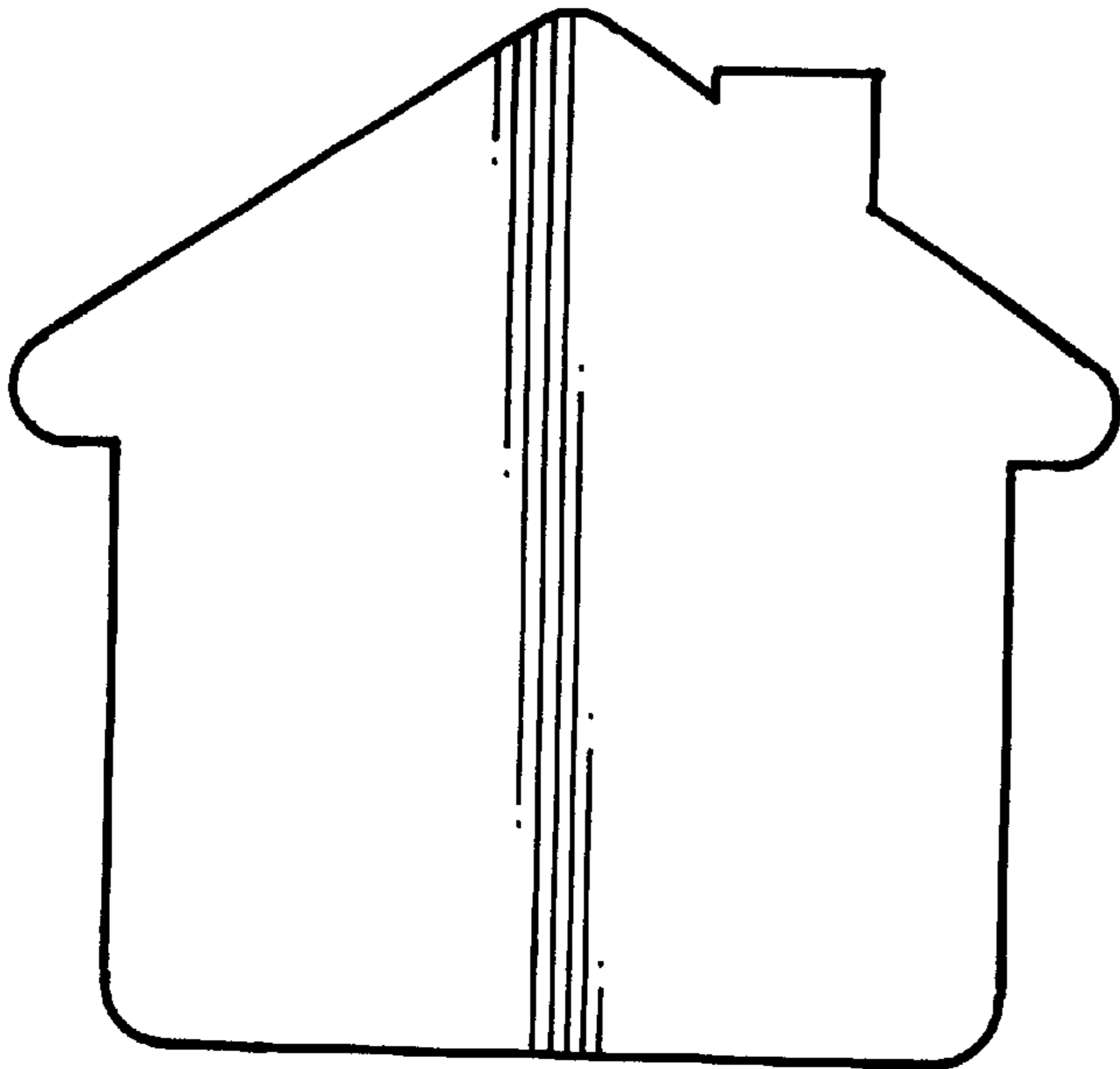


FIG. 3.



FIG. 5.



FIG. 6.



FIG. 7.