

US00D499135S

(12) **United States Design Patent**
Sasaki et al.

(10) **Patent No.:** **US D499,135 S**
(45) **Date of Patent:** **** Nov. 30, 2004**

(54) **INK CARTRIDGE**

(75) Inventors: **Toyonori Sasaki**, Anjyo (JP);
Mitsuharu Hattori, Nagoya (JP);
Toshiya Inada, Nagoya (JP); **Makoto Yamada**, Gifu (JP)

(73) Assignee: **Brothers Industries, Ltd.**, Aichi-ken (JP)

(**) Term: **14 Years**

(21) Appl. No.: **29/174,537**

(22) Filed: **Jan. 22, 2003**

(30) **Foreign Application Priority Data**

Jul. 23, 2002 (JP) 2002-019761

(51) **LOC (7) Cl.** **18-02**

(52) **U.S. Cl.** **D18/56; 347/86**

(58) **Field of Search** **D18/56, 43, 40; 347/86, 87**

(56) **References Cited**

U.S. PATENT DOCUMENTS

D409,236 S	*	5/1999	Fujii et al.	D18/56
D422,306 S	*	4/2000	Gasvoda et al.	D18/56
D425,112 S	*	5/2000	Shinada et al.	D18/56
D425,285 S	*	5/2000	Shinada et al.	D18/56
D448,797 S	*	10/2001	Carrese et al.	D18/56
D462,089 S	*	8/2002	Trafton et al.	D18/56
D466,925 S	*	12/2002	Ishizawa et al.	D18/56
D475,402 S	*	6/2003	Nakayama et al.	D18/56

D477,020 S * 7/2003 Seino D18/56

* cited by examiner

Primary Examiner—Cathy Anne MacCormac

(74) *Attorney, Agent, or Firm*—McKenna Long & Aldridge LLP

(57) **CLAIM**

The ornamental design for an ink cartridge, as shown and described.

DESCRIPTION

FIG. 1 is a front elevation view of our new design;
 FIG. 2 is a top plan view thereof;
 FIG. 3 is a right plan view thereof;
 FIG. 4 is a left plan view thereof;
 FIG. 5 is a rear plan view thereof;
 FIG. 6 is a bottom plan view thereof;
 FIG. 7 is a bottom perspective view thereof;
 FIG. 8 is a top perspective view thereof;
 FIG. 9 is a cross-sectional view taken along line 9—9 on FIG. 6;
 FIG. 10 is a cross-sectional view taken along line 10—10 on FIG. 6;
 FIG. 11 is an enlarged cross-sectional view taken along line 11—11 on FIG. 6;
 FIG. 12 is a cross-sectional view taken along line 12—12 on FIG. 6;
 FIG. 13 is a cross-sectional view taken along line 13—13 on FIG. 6; and,
 FIG. 14 is an enlarged sectional view taken on line 14—14 of FIG. 6.

1 Claim, 5 Drawing Sheets

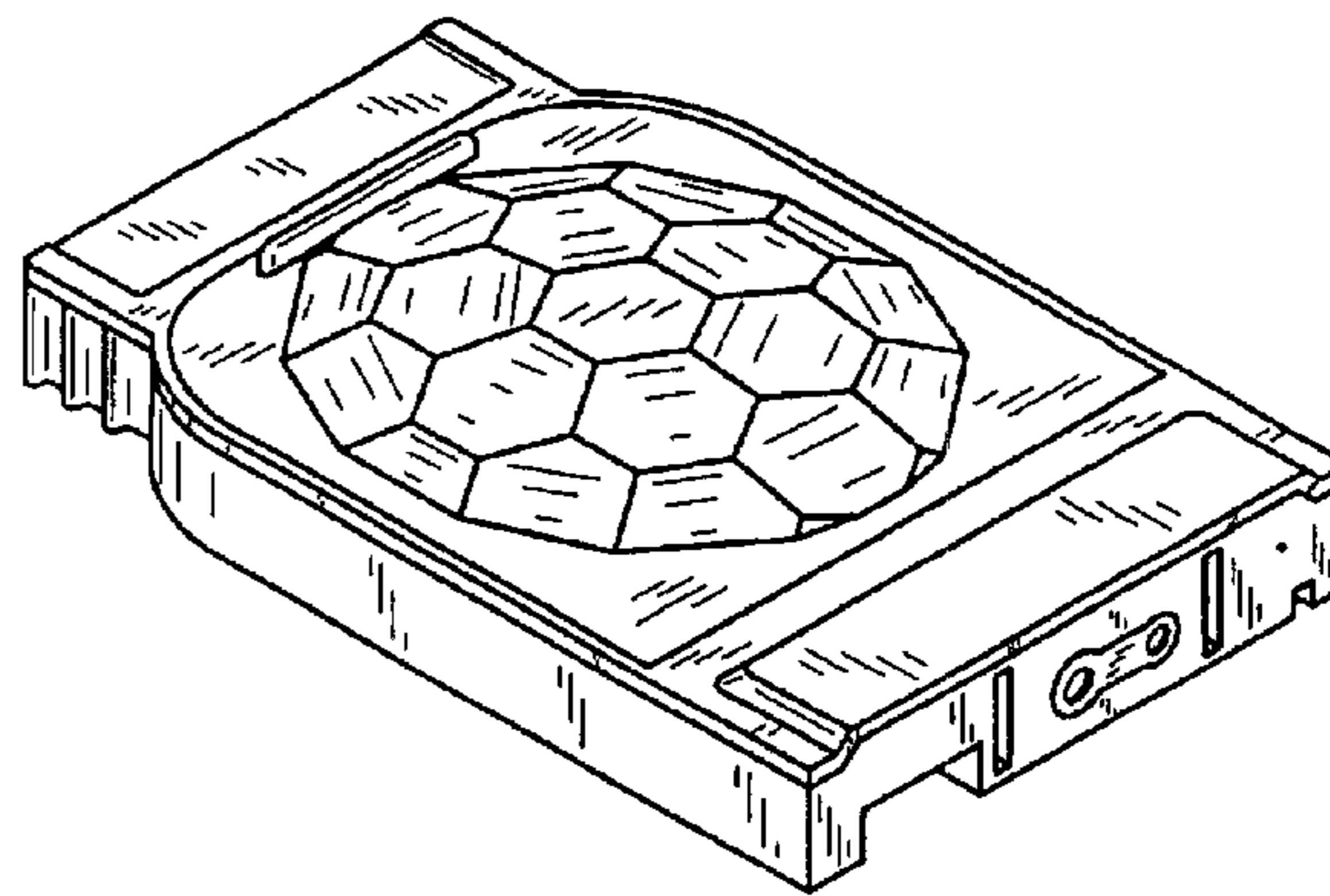
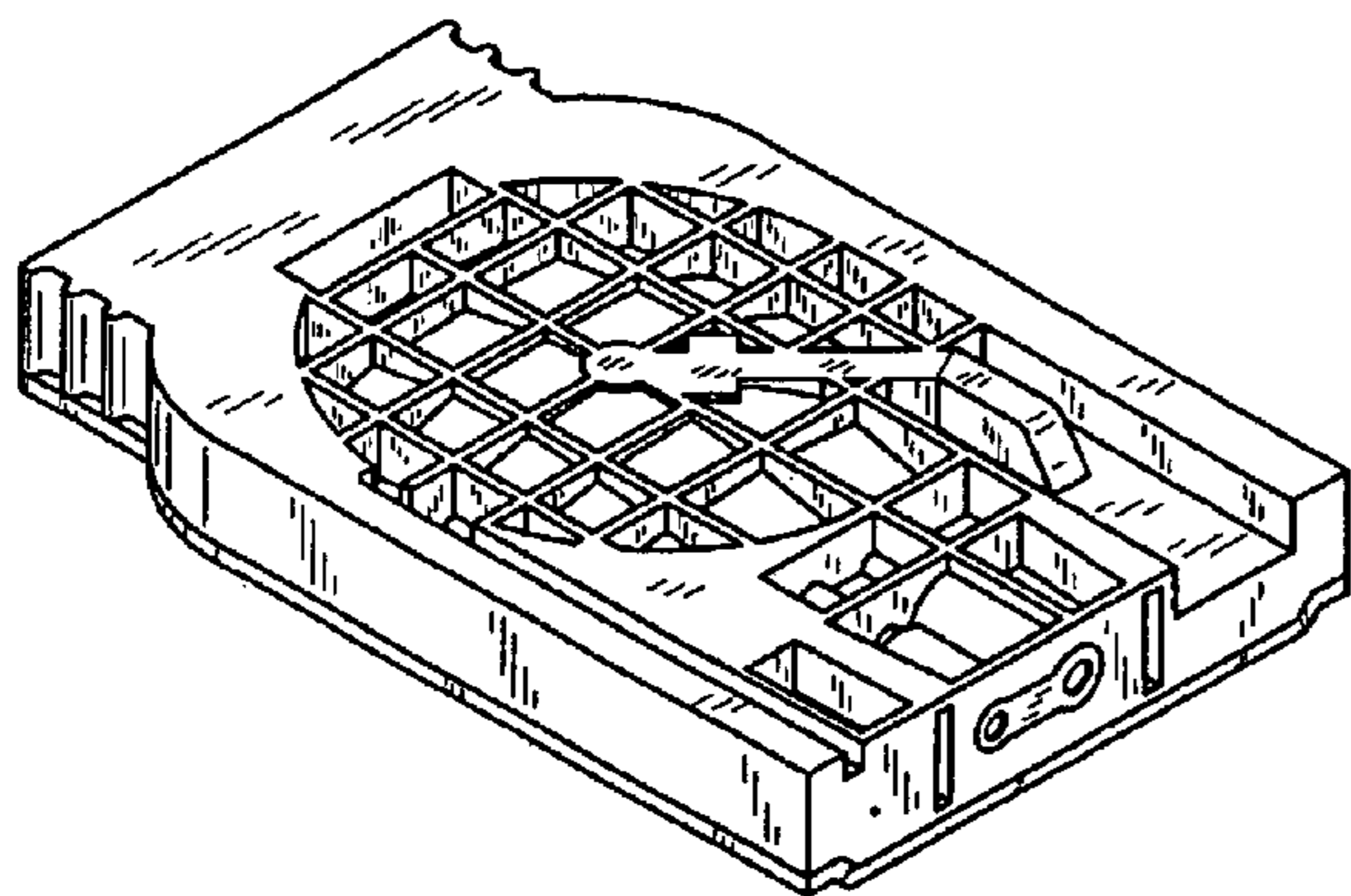


FIG. 1

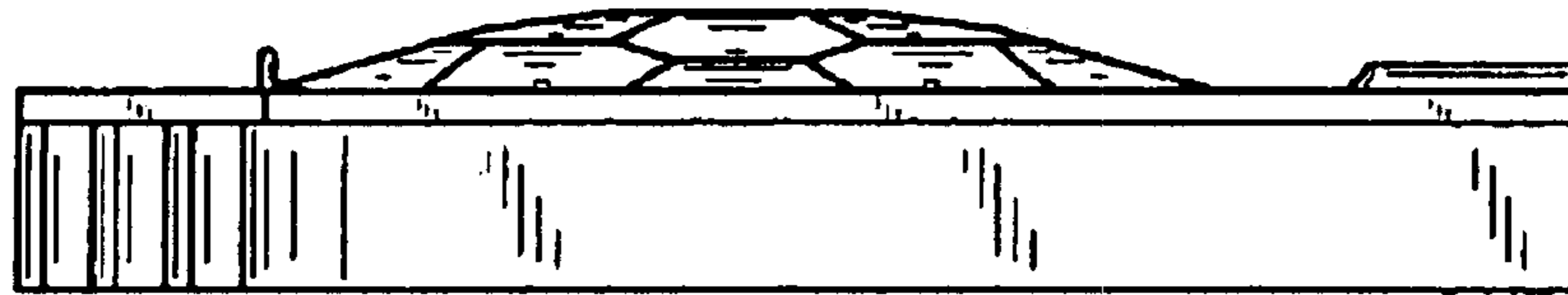


FIG. 2

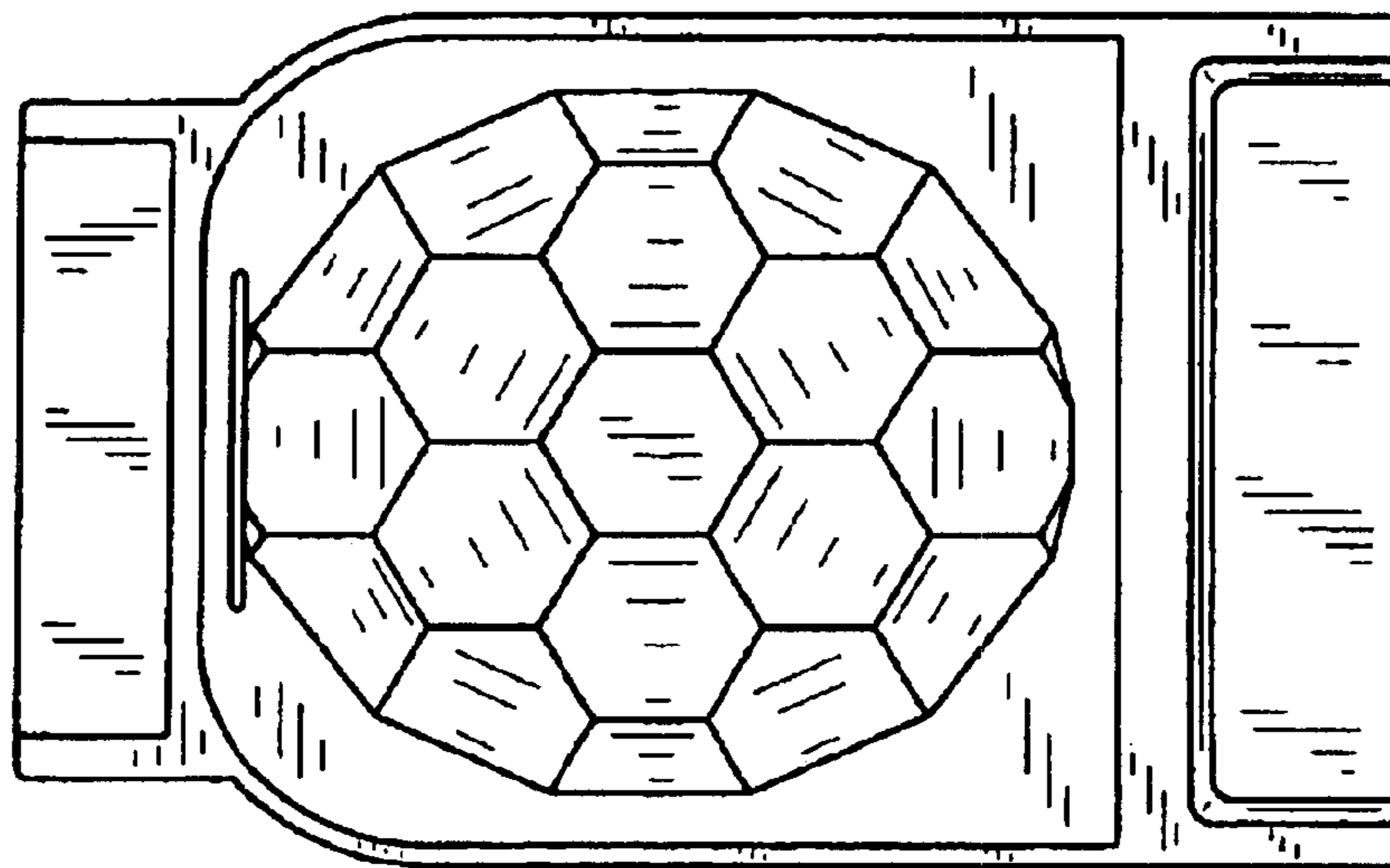


FIG. 3

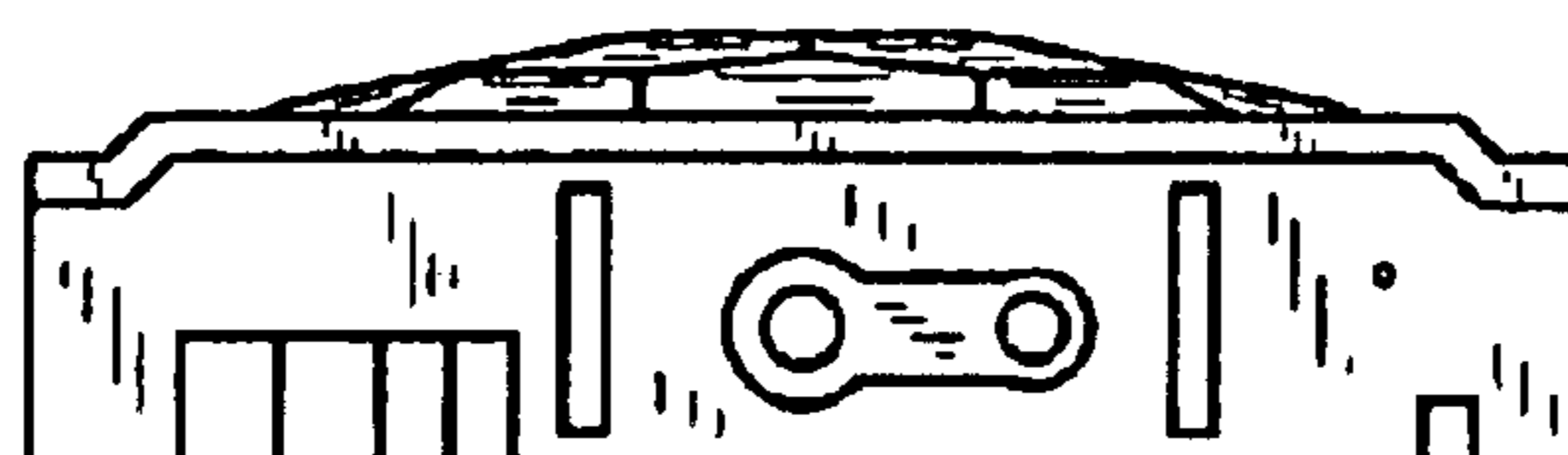


FIG. 4

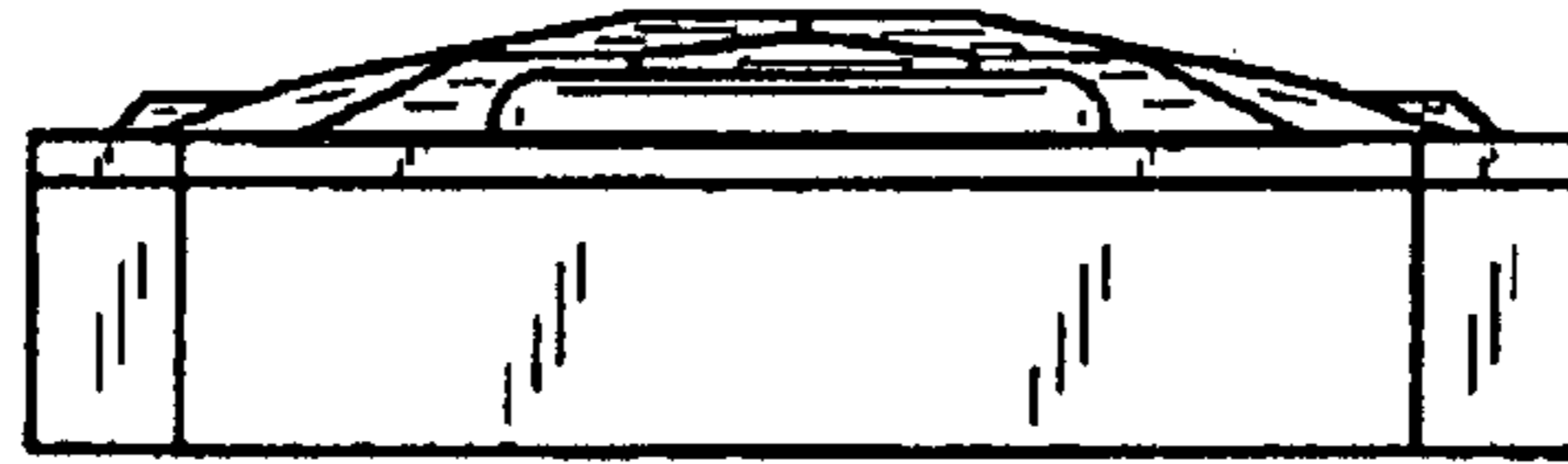


FIG. 5

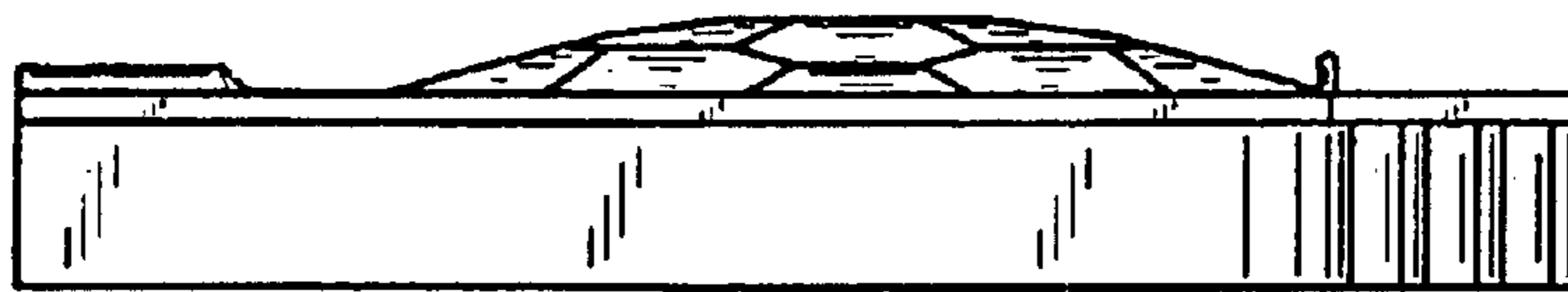


FIG. 6

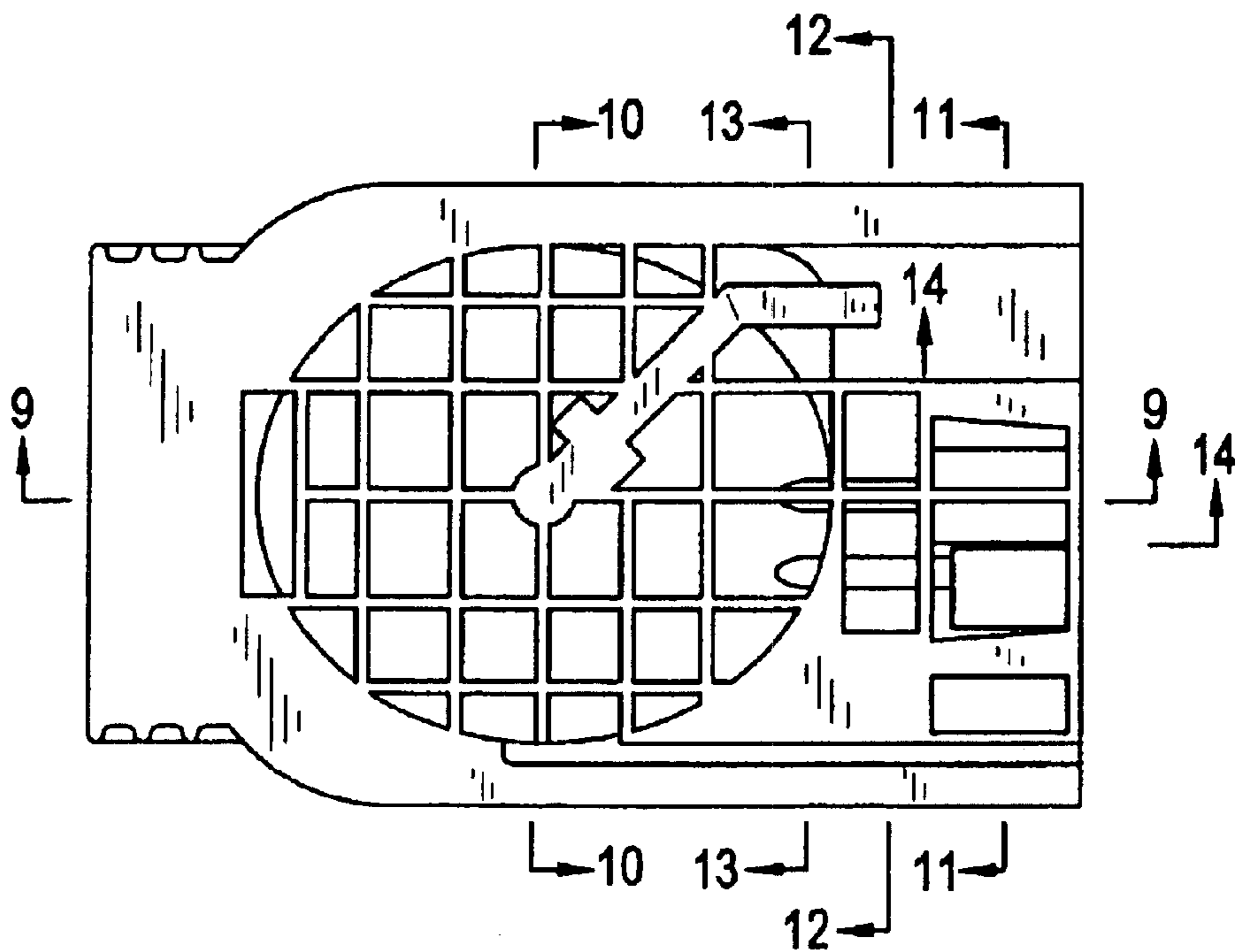


FIG. 7

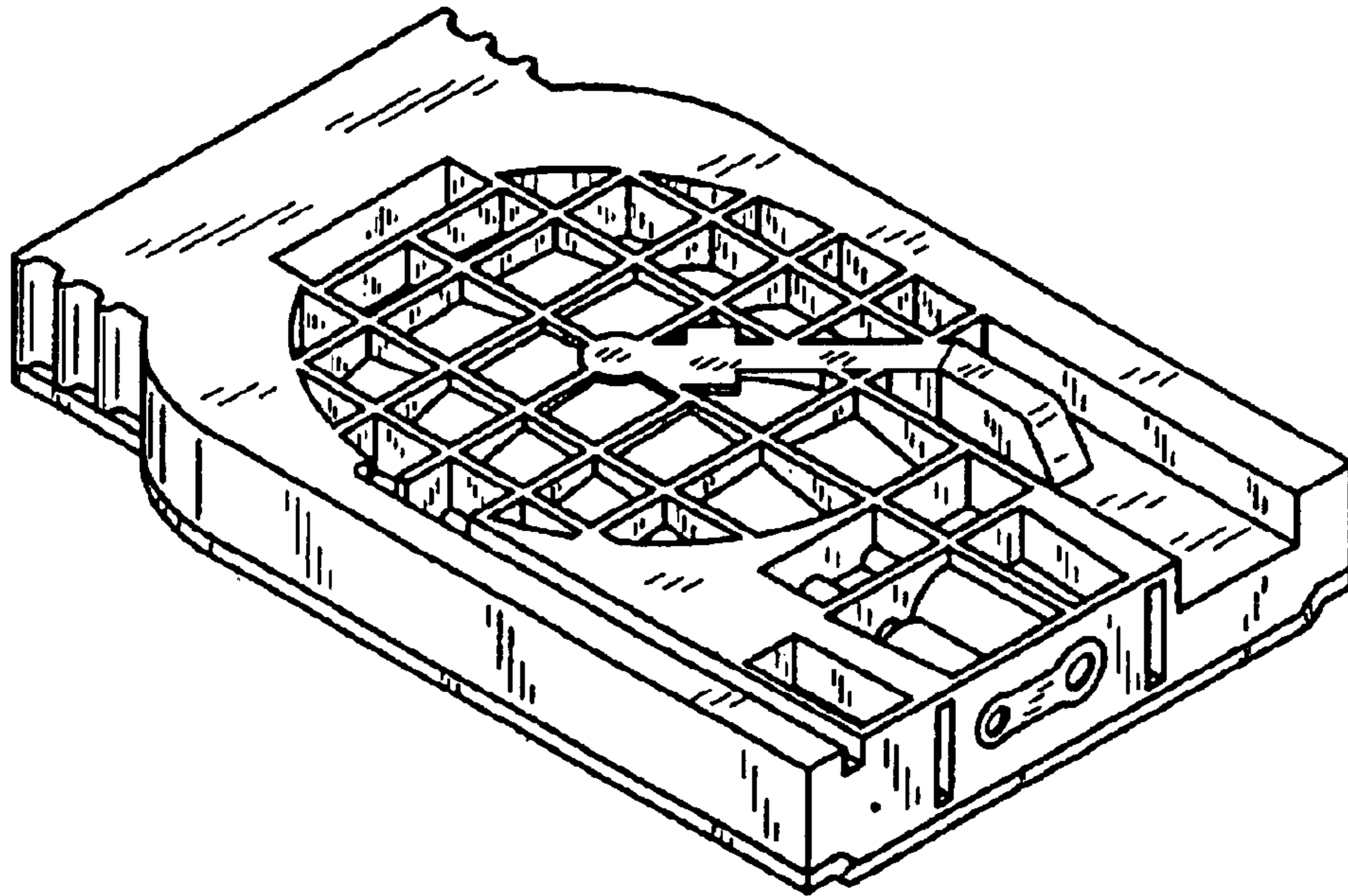


FIG. 8

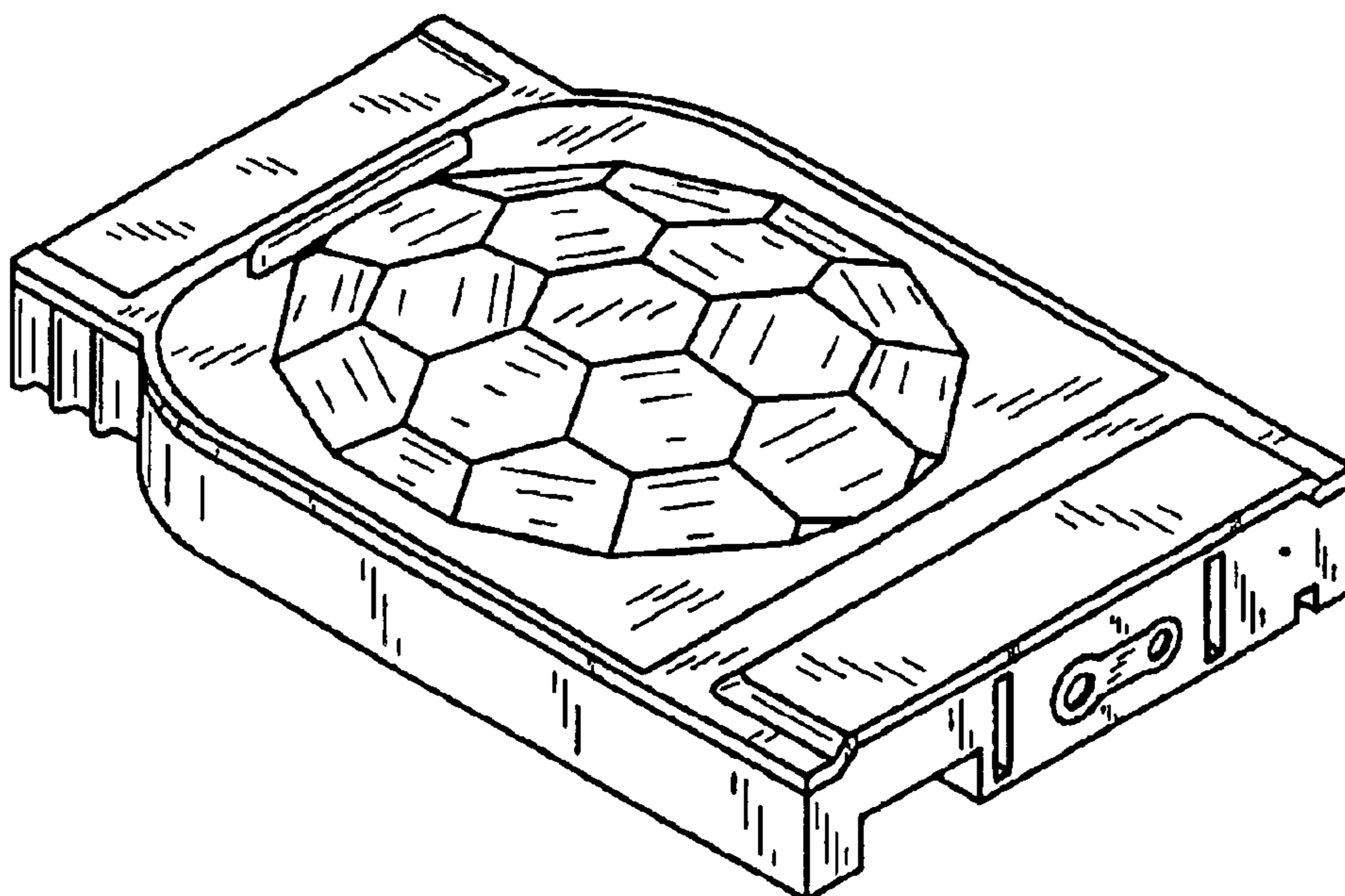


FIG. 9

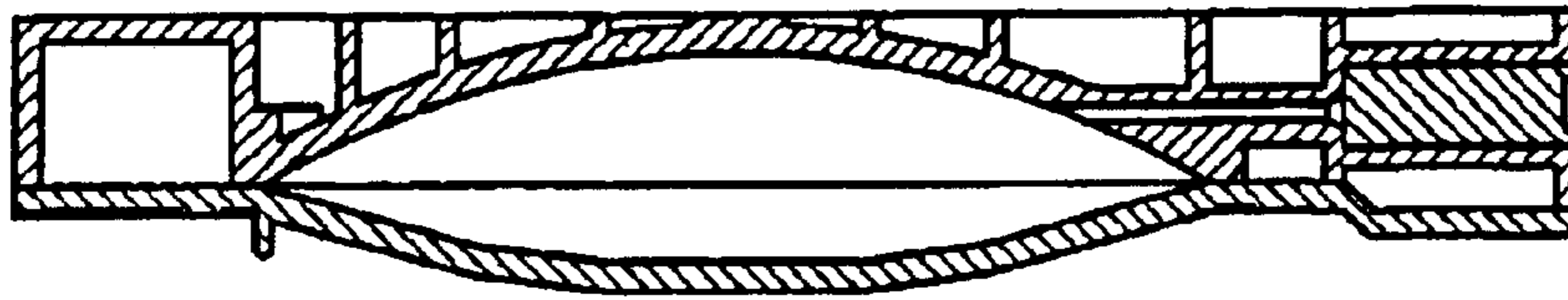


FIG. 10

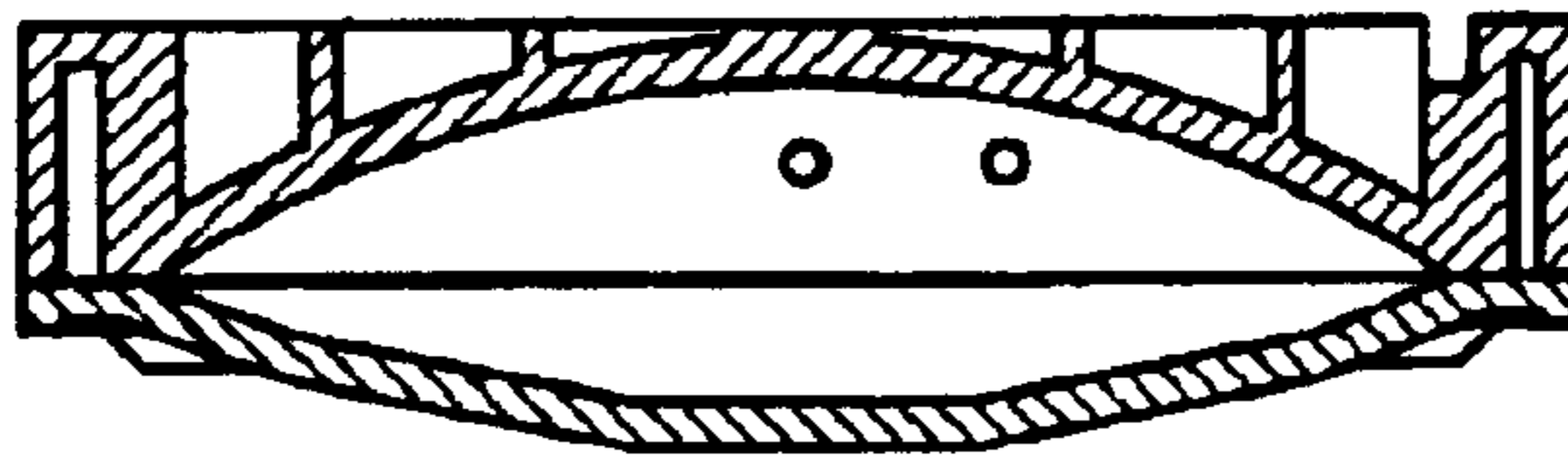


FIG. 11

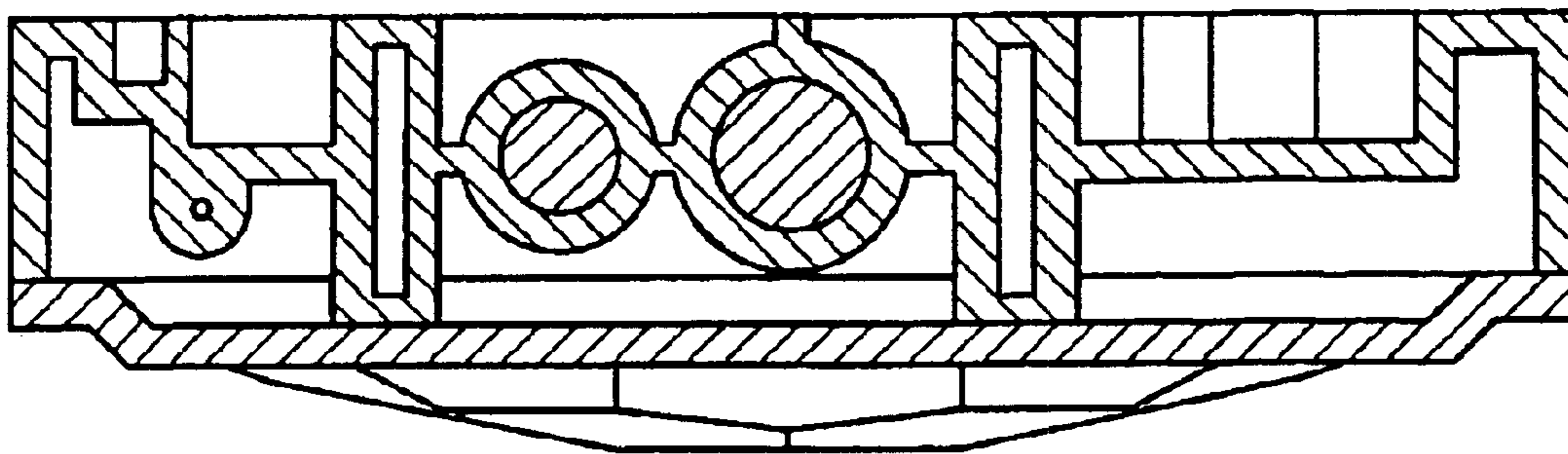


FIG. 12

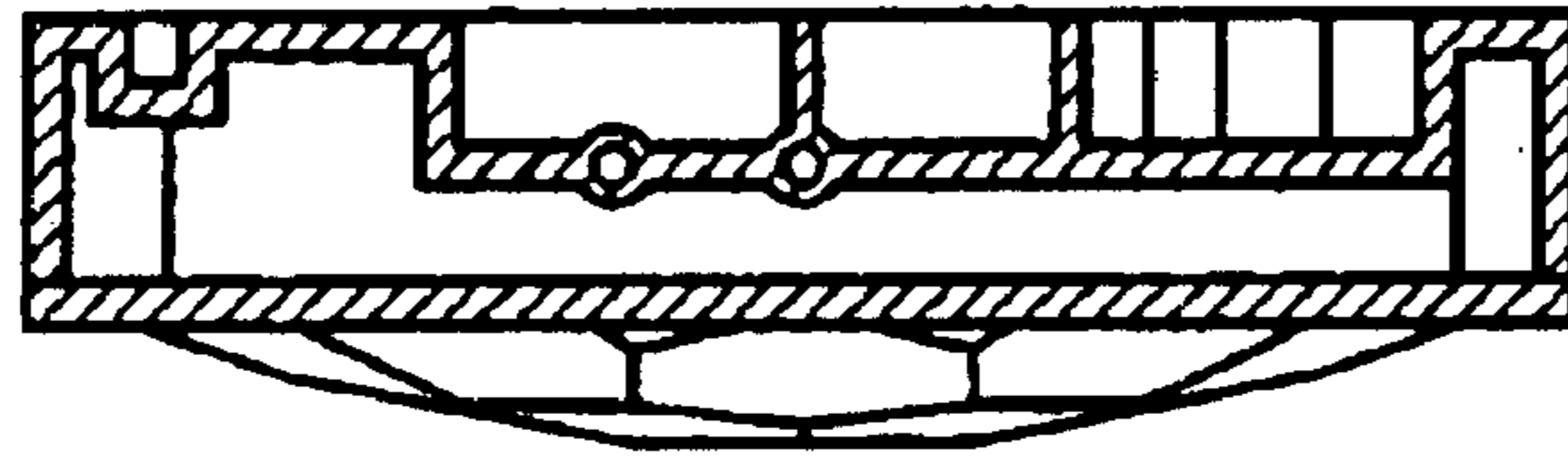


FIG. 13

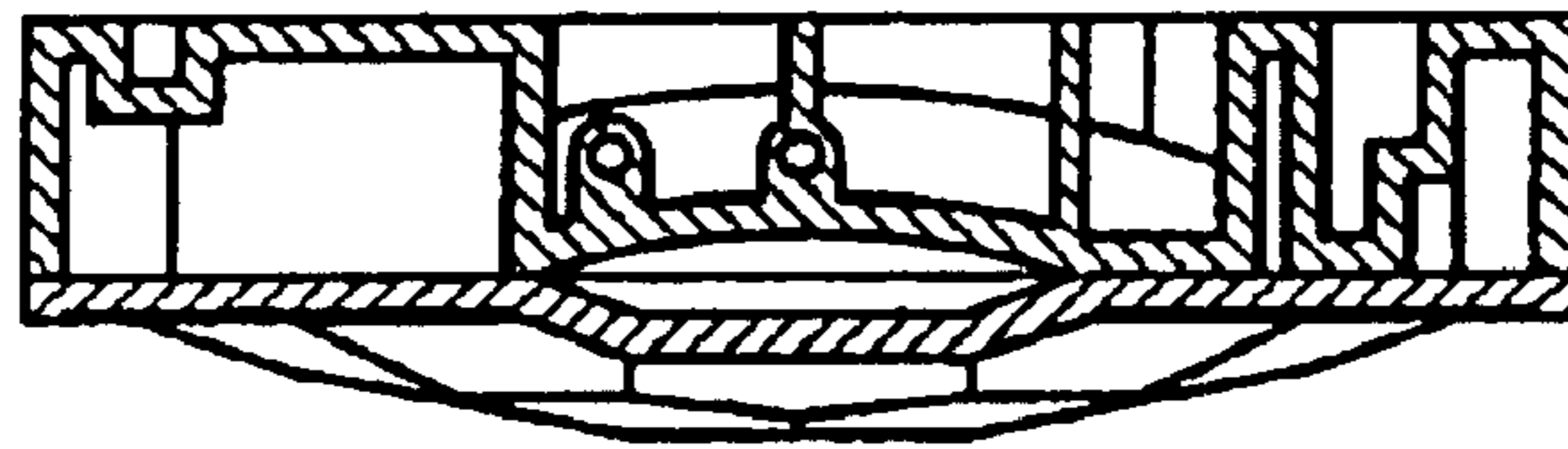


FIG. 14

