

US00D499134S

(12) **United States Design Patent**
Enstrom

(10) **Patent No.:** **US D499,134 S**

(45) **Date of Patent:** **** Nov. 30, 2004**

(54) **POINT-OF-SALE DEVICE**

(75) **Inventor:** **Rolf G. Enstrom, Irvine, CA (US)**

(73) **Assignee:** **ExaDigm, Inc., Tustin, CA (US)**

(**) **Term:** **14 Years**

(21) **Appl. No.:** **29/160,248**

(22) **Filed:** **May 6, 2002**

(51) **LOC (7) Cl. 18-01**

(52) **U.S. Cl. D18/4.4**

(58) **Field of Search** D18/4.1-4.6, 6,
D18/7, 11; D14/341-343, 345-347; 345/169;
705/15-18

(56) **References Cited**

U.S. PATENT DOCUMENTS

- 4,916,441 A * 4/1990 Gombrich 345/169
- D348,896 S * 7/1994 Kumar et al. D18/4.6
- D400,189 S * 10/1998 Yotukura D14/343
- D414,470 S * 9/1999 Chacon et al. D14/341

- D431,562 S * 10/2000 Bhatia et al. D14/341
- D463,425 S * 9/2002 Jenkins D14/347
- 2003/0037192 A1 * 2/2003 Engstrom 710/72

* cited by examiner

Primary Examiner—Caron D. Veynar

(74) *Attorney, Agent, or Firm*—Eric K. Satermo

(57) **CLAIM**

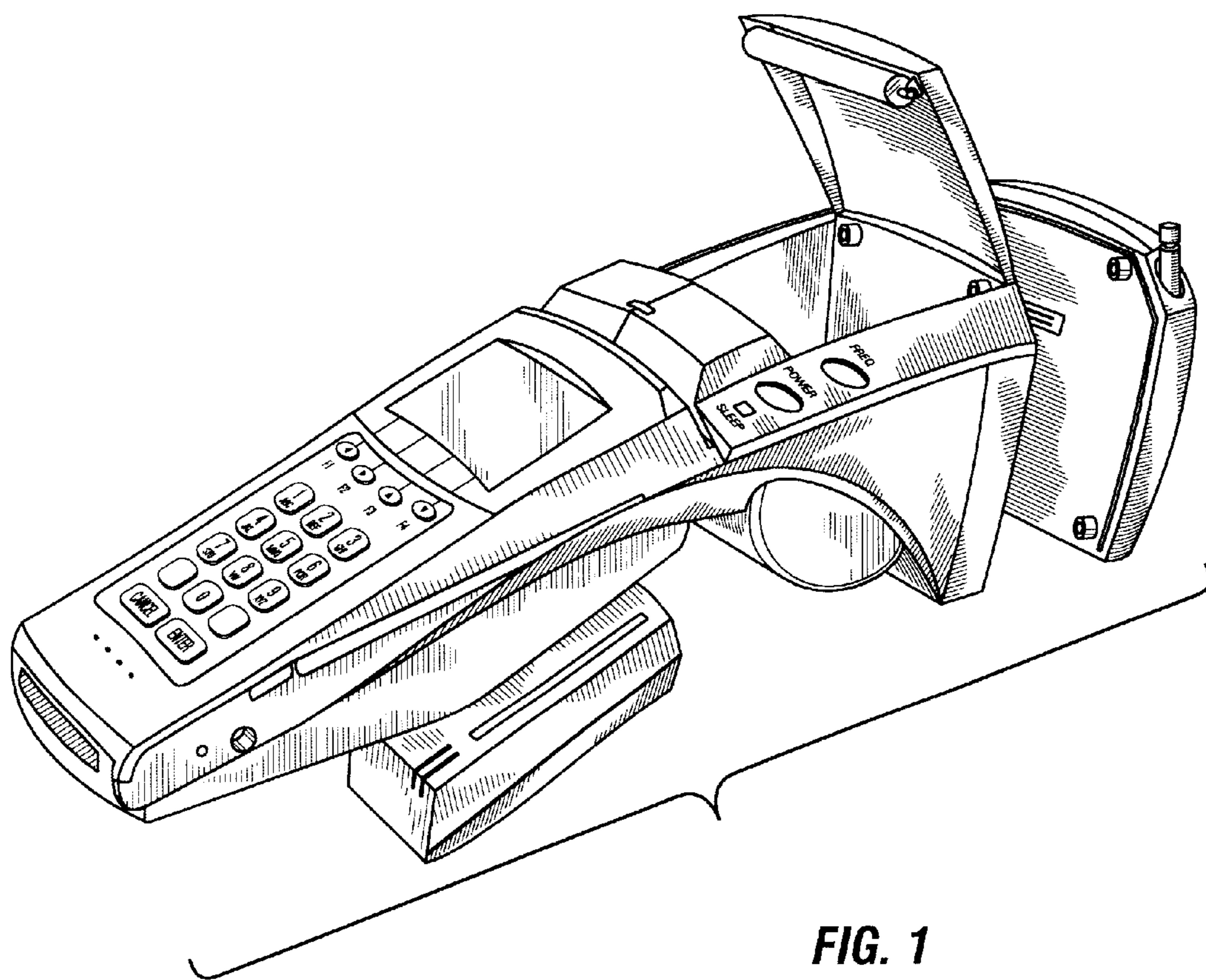
The ornamental design for a point-of-sale device, as shown and described.

DESCRIPTION

FIG. 1 is an exploded perspective view of a point-of-sale device in accordance with the present invention; FIG. 2 is a side view; FIG. 3 is a bottom view; FIG. 4 is a back view; FIG. 5 is a front view; FIG. 6 is a top view; and, FIG. 7 is a perspective view.

1 Claim, 4 Drawing Sheets





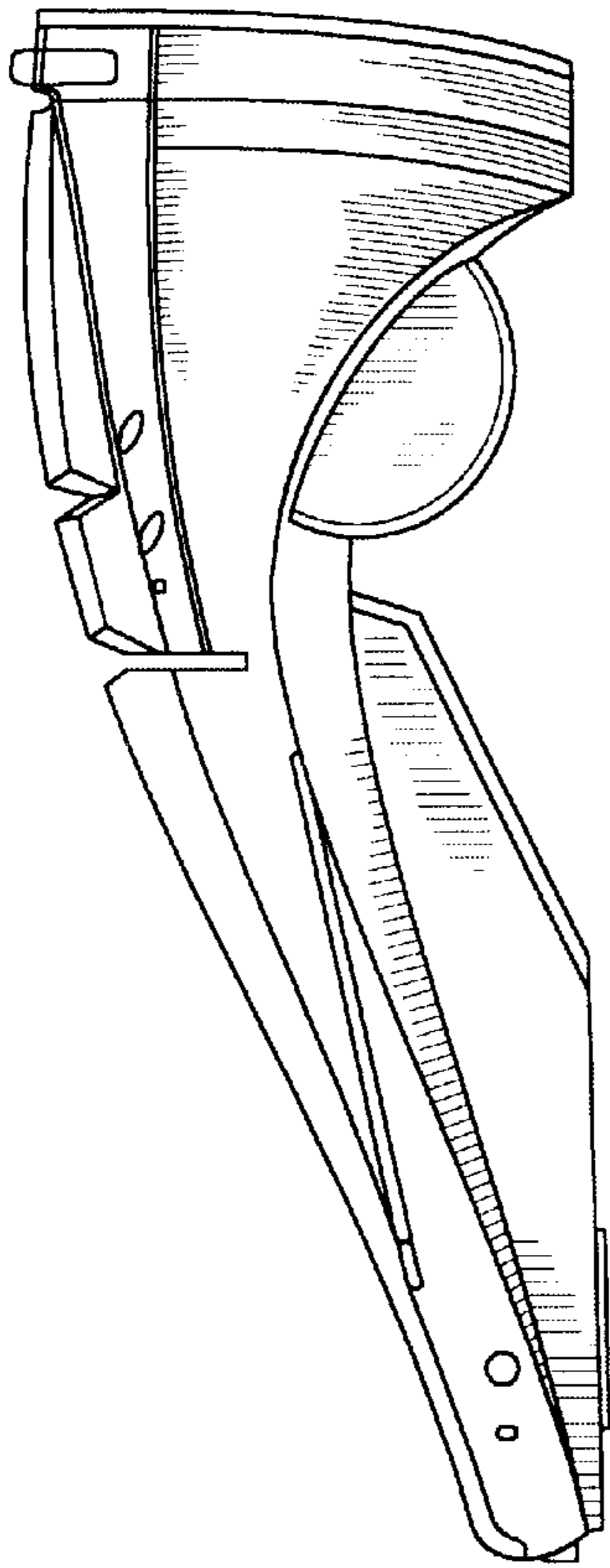


FIG. 2

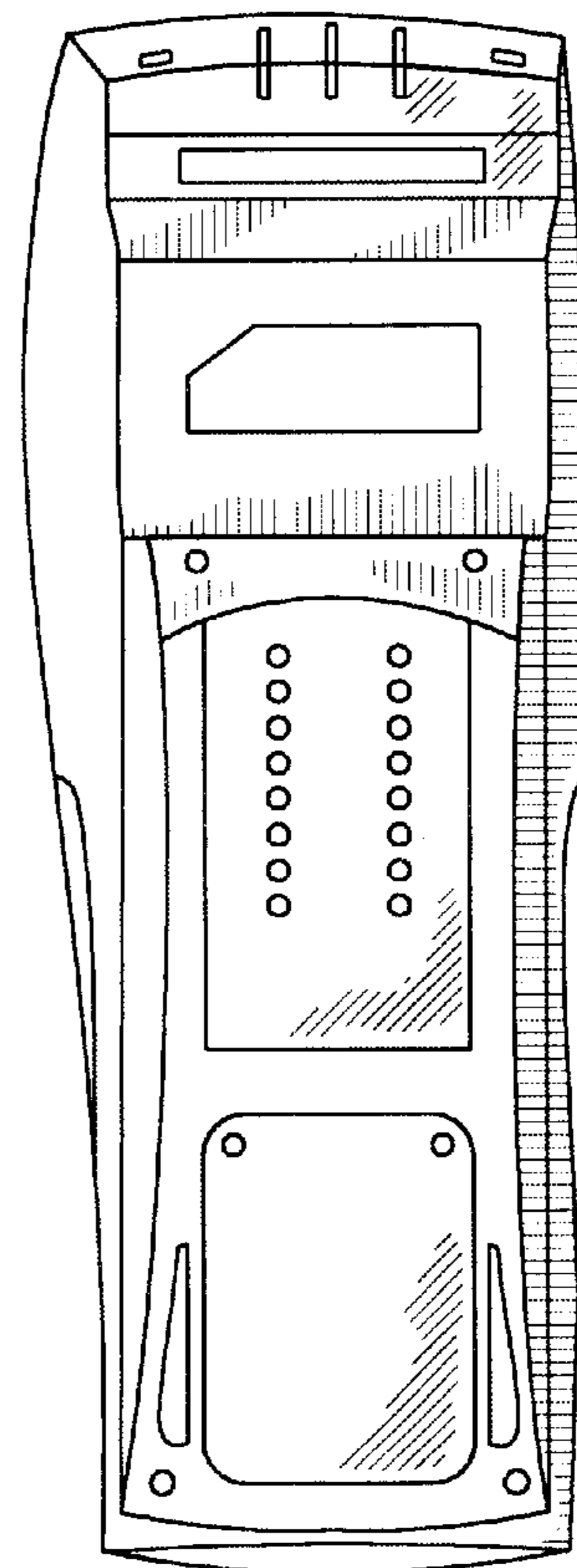


FIG. 3

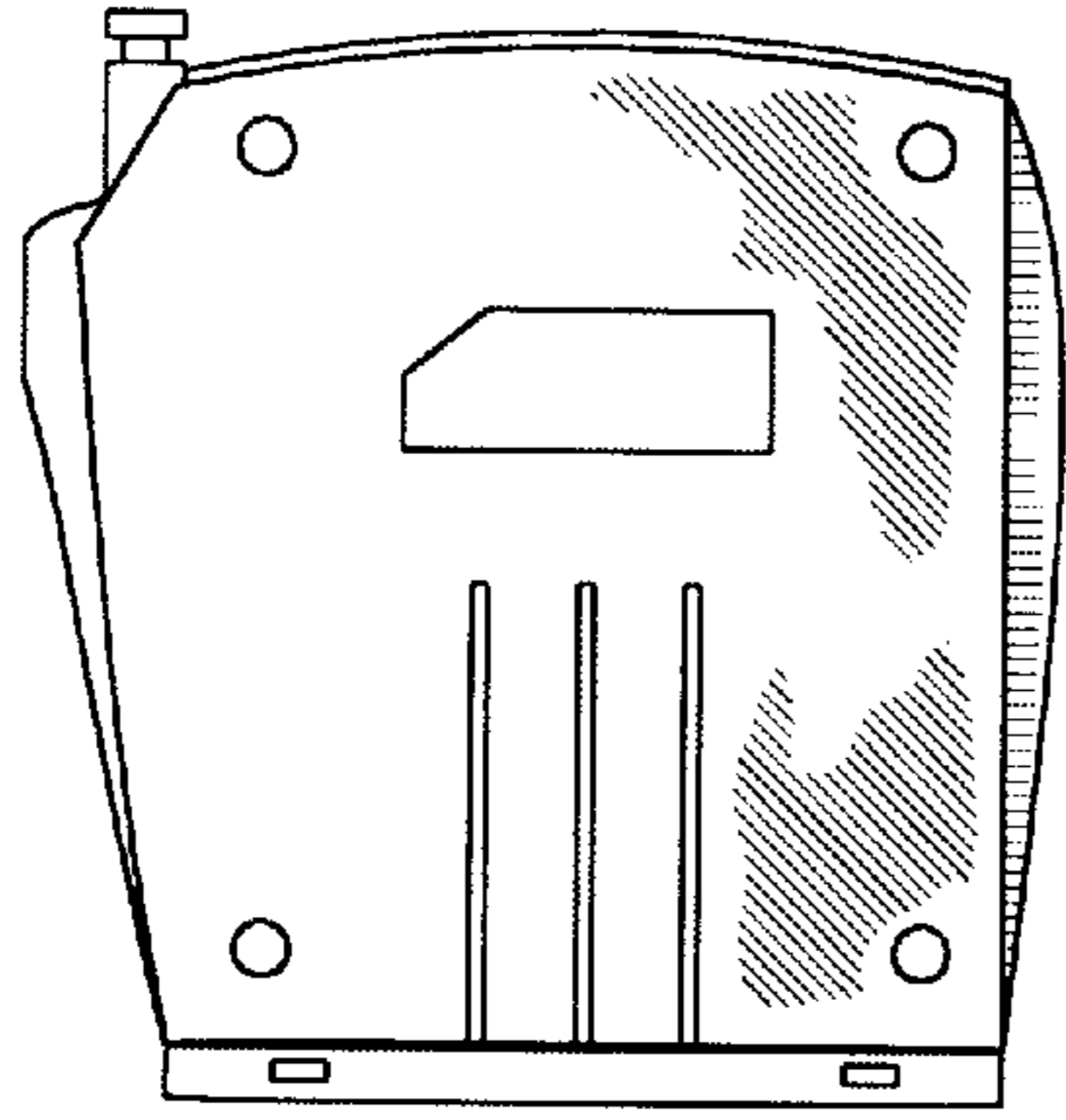


FIG. 4

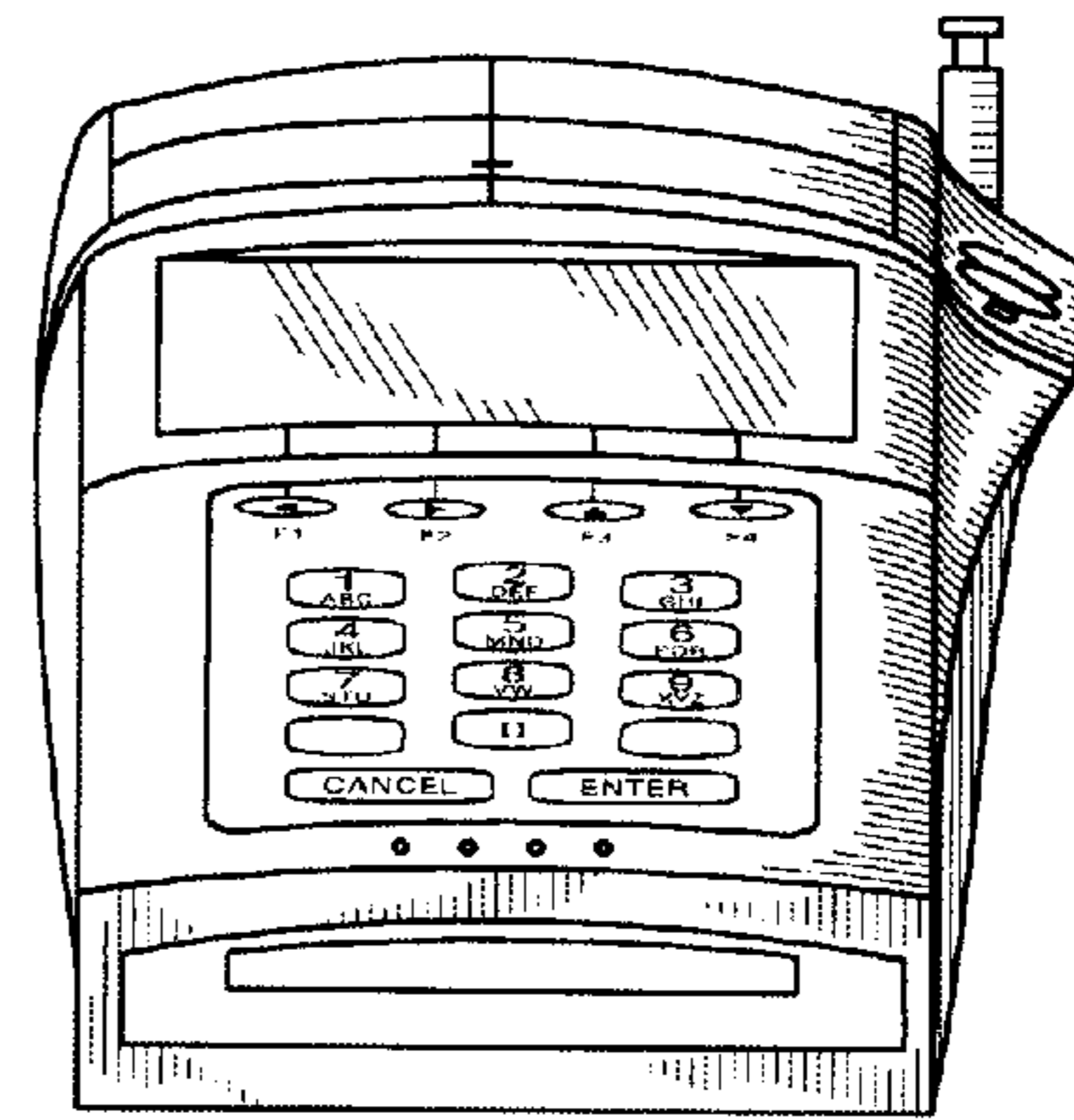


FIG. 5

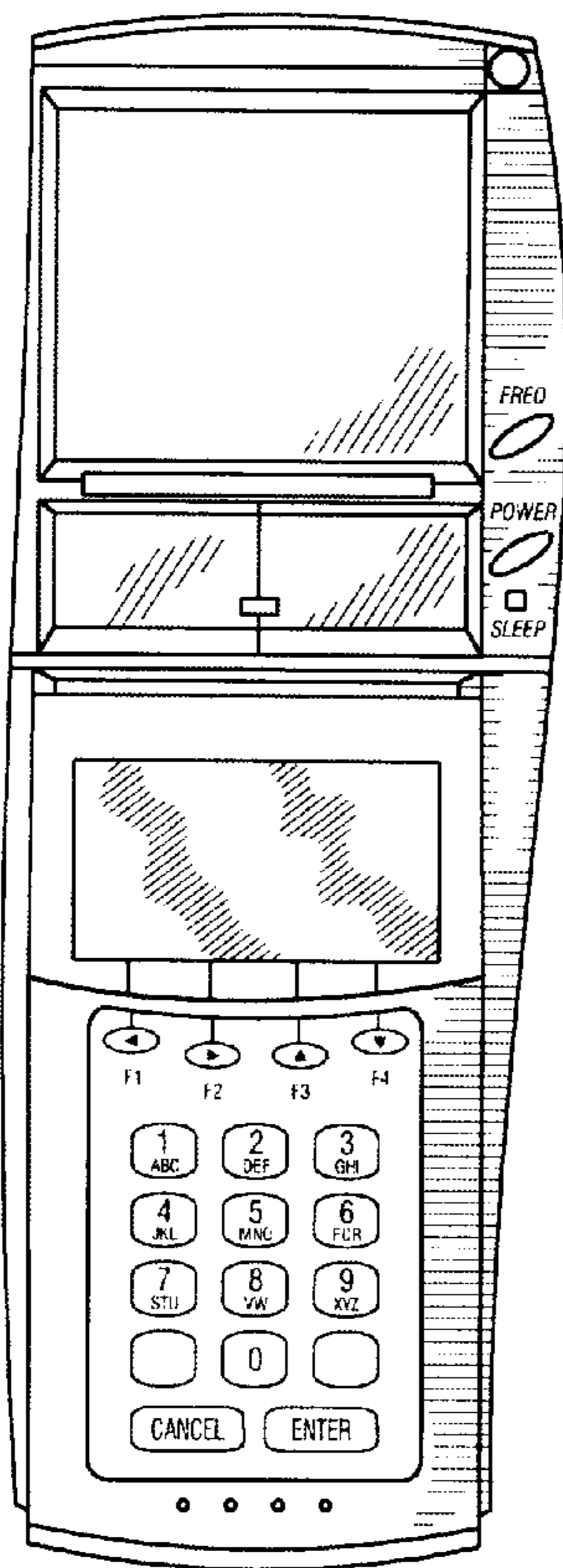


FIG. 6

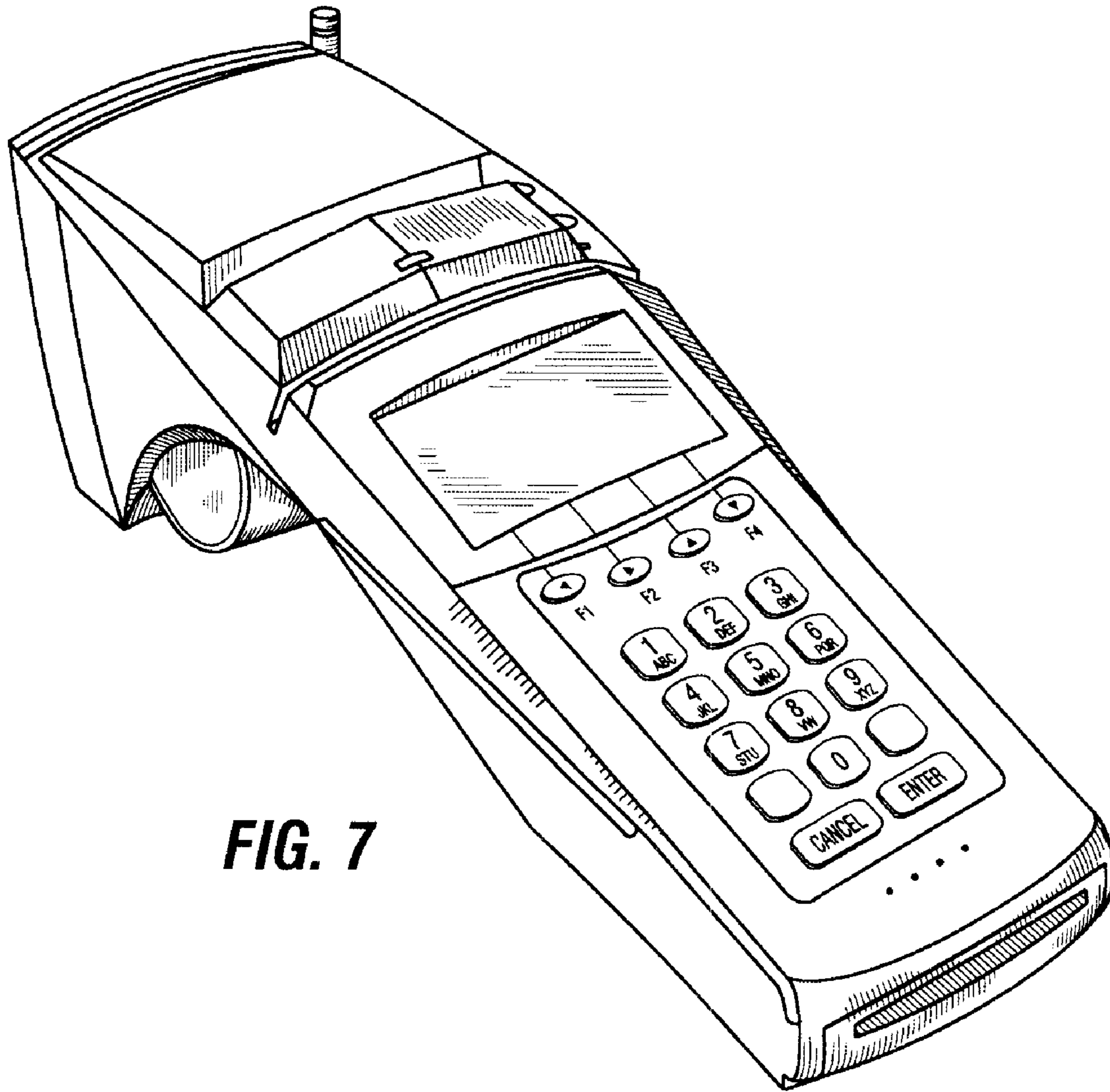


FIG. 7