



US00D499131S

(12) **United States Design Patent** (10) **Patent No.:** **US D499,131 S**
Tanio (45) **Date of Patent:** **** Nov. 30, 2004**

(54) **DIGITAL CAMERA**
(75) Inventor: **Satoru Tanio**, Hachioji (JP)
(73) Assignee: **Olympus Corporation**, Tokyo (JP)
(**) Term: **14 Years**
(21) Appl. No.: **29/191,361**
(22) Filed: **Oct. 3, 2003**

D449,633 S * 10/2001 Suzuki et al. D16/219
6,302,598 B1 * 10/2001 Shiono et al. 396/349
D453,942 S * 2/2002 Suzuki et al. D16/219
6,347,893 B1 2/2002 Shiono et al. 396/448
D456,036 S * 4/2002 Suzuki et al. D16/219
D462,080 S * 8/2002 Suzuki et al. D16/219
D465,800 S 11/2002 Suzuki et al. D16/202
D467,953 S 12/2002 Suzuki et al. D16/202
D486,844 S * 2/2004 Mitsuse D16/202

* cited by examiner

Related U.S. Application Data

(62) Division of application No. 29/172,827, filed on Dec. 18, 2002, now Pat. No. Des. 484,156.

(30) **Foreign Application Priority Data**

Sep. 24, 2002 (JP) 2002-026047
Sep. 24, 2002 (JP) 2002-026048
Sep. 24, 2002 (JP) 2002-026049

(51) **LOC (7) Cl.** **16-05**
(52) **U.S. Cl.** **D16/219; D16/212**
(58) **Field of Search** **D16/200-204,**
D16/208, 209, 212, 218, 219; 348/373-376;
358/906, 909.1; 396/6, 7, 349, 448, 535-541

(56) **References Cited**

U.S. PATENT DOCUMENTS

5,913,089 A 6/1999 Ebe 396/448
D415,511 S 10/1999 Funakoshi et al. D16/209
D437,868 S 2/2001 Naito D16/212
D449,059 S 10/2001 Shimobayashi D16/202
D449,324 S 10/2001 Lue et al. D16/202

Primary Examiner—Adir Aronovich

(74) *Attorney, Agent, or Firm*—Hogan & Hartson LLP

(57) **CLAIM**

The ornamental design for a digital camera, as shown and described.

DESCRIPTION

FIG. 1 is a front and right perspective view of a digital camera showing my new design;
FIG. 2 is a rear and left side perspective view thereof;
FIG. 3 is a front elevational view thereof;
FIG. 4 is a rear elevational view thereof;
FIG. 5 is a top plan view thereof;
FIG. 6 is a bottom plan view thereof;
FIG. 7 is a right side elevational view thereof;
FIG. 8 is a left side elevational view thereof; and,
FIG. 9 is a front elevational view thereof with a lens barrier in an opened position.

The portions of the camera in shown broken lines are for illustrative purposes only and form no part of the claimed design.

1 Claim, 6 Drawing Sheets

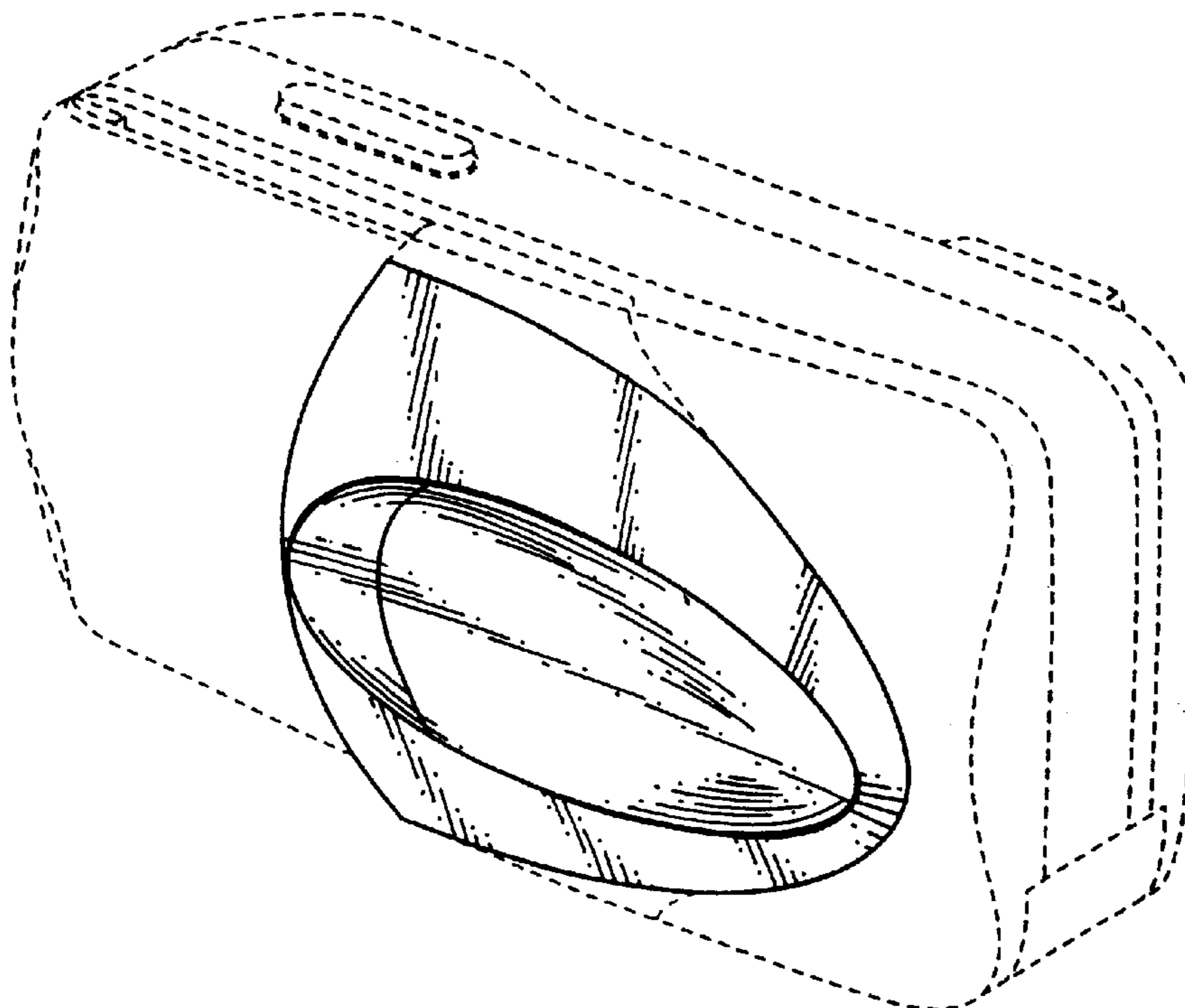


FIG. 1

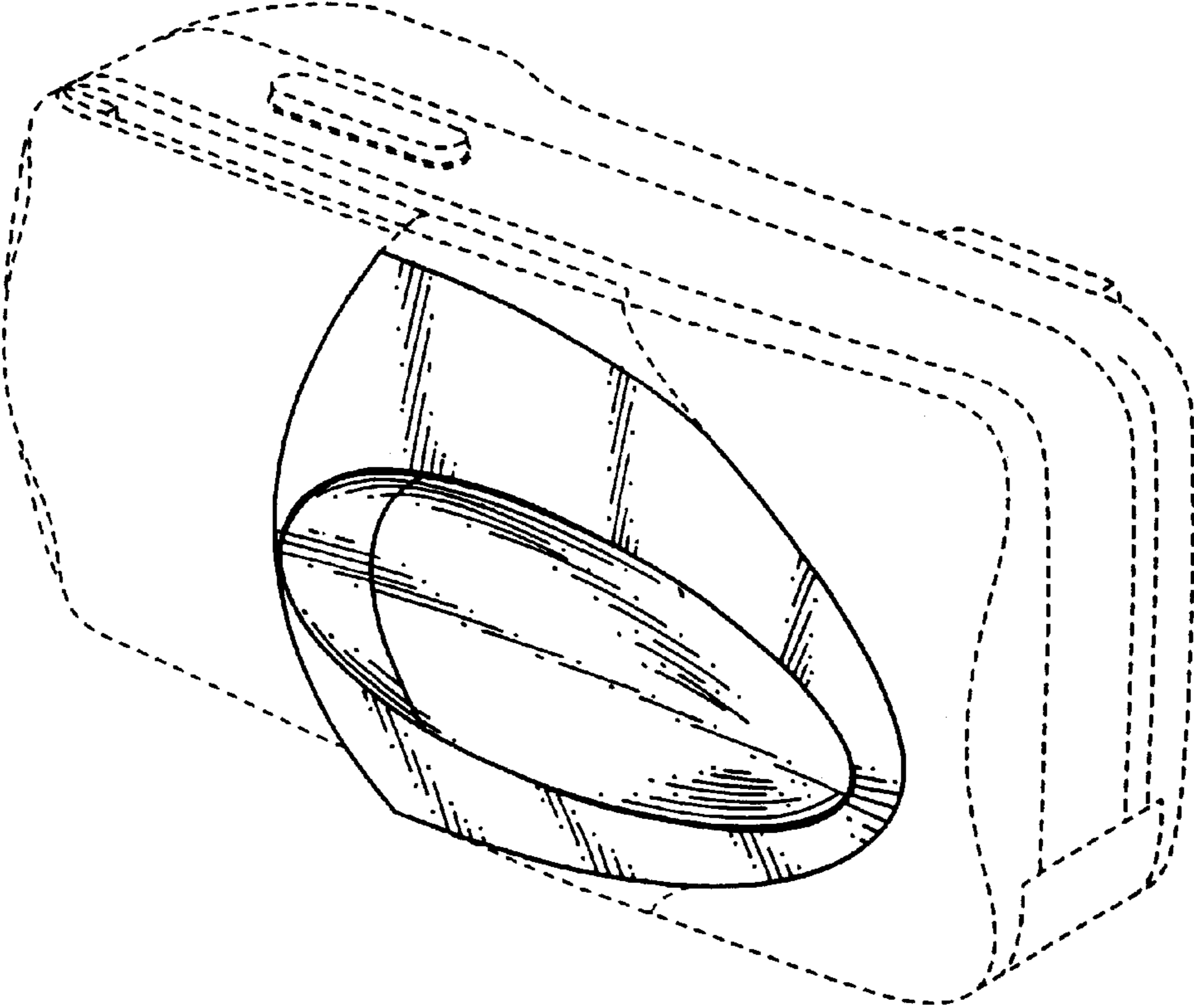


FIG. 2

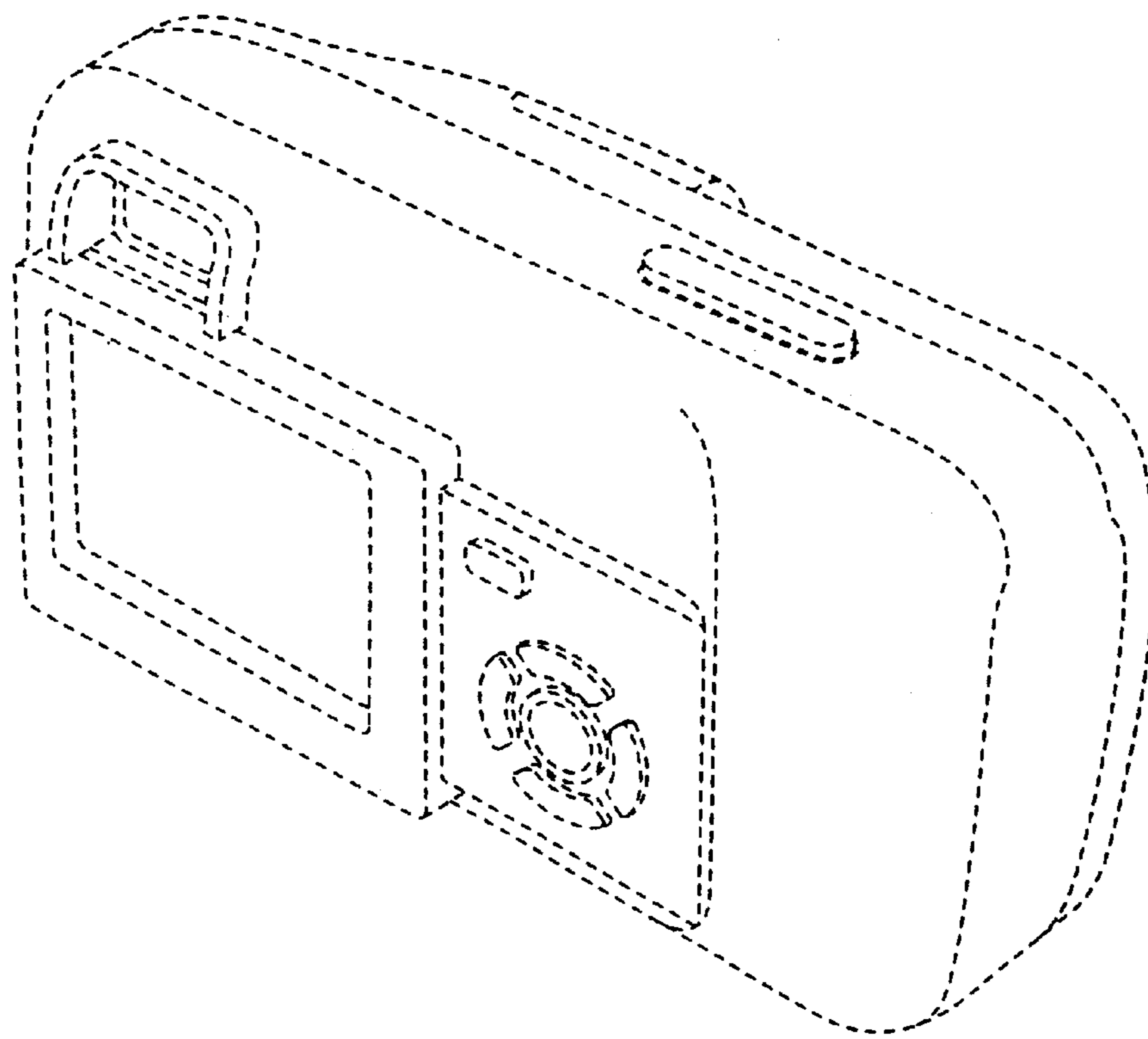


FIG. 3

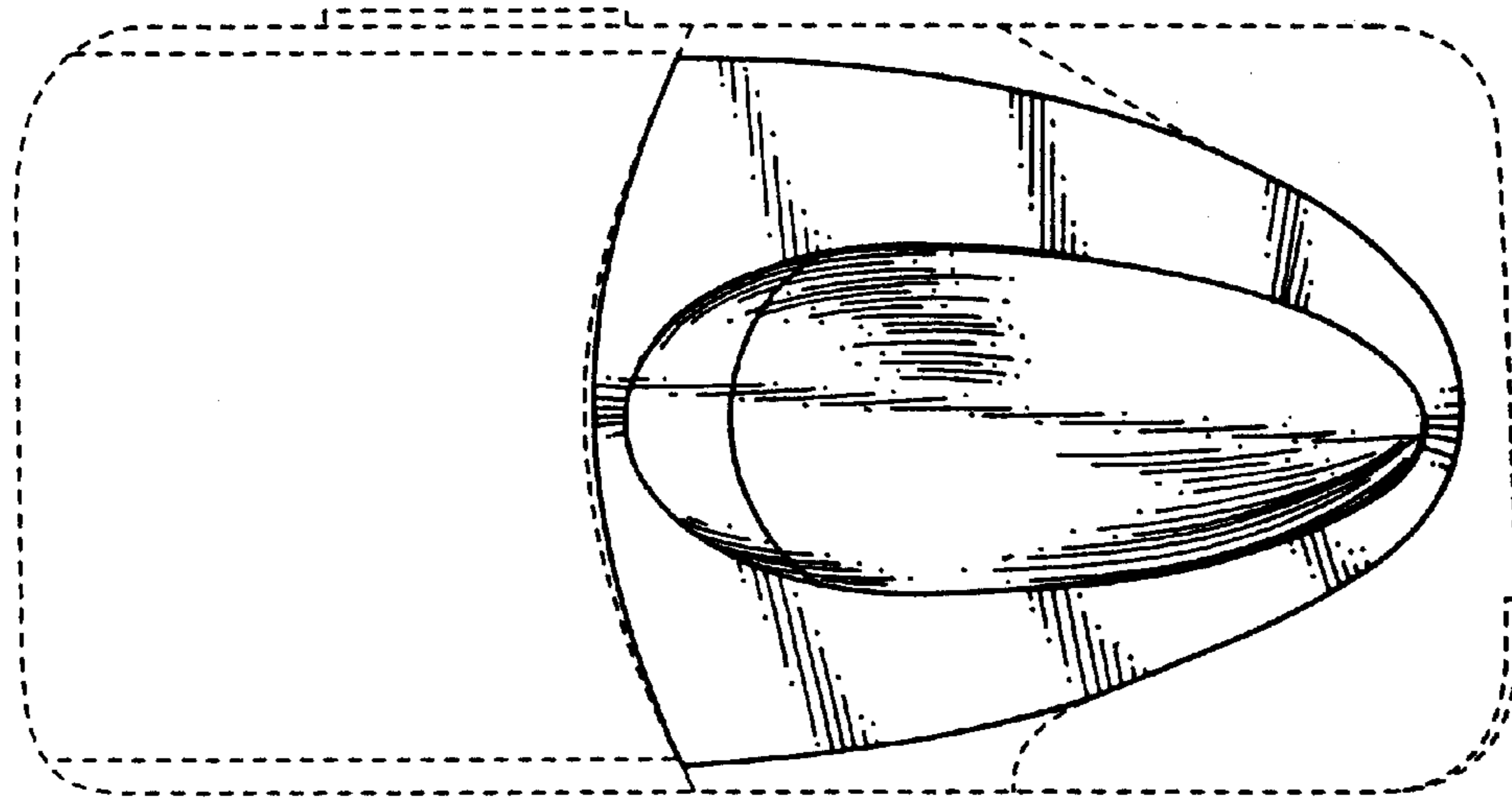


FIG. 4

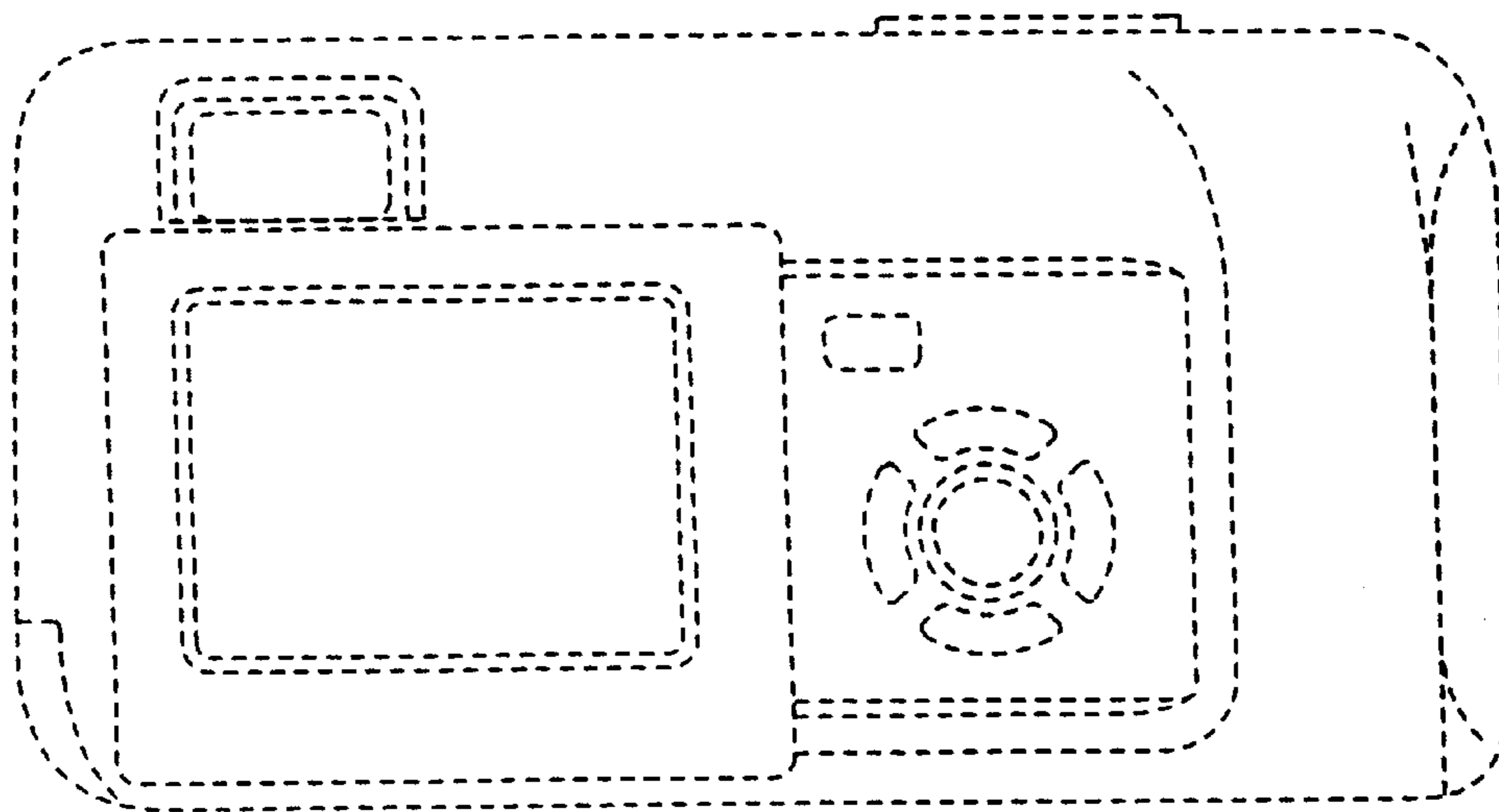


FIG. 5

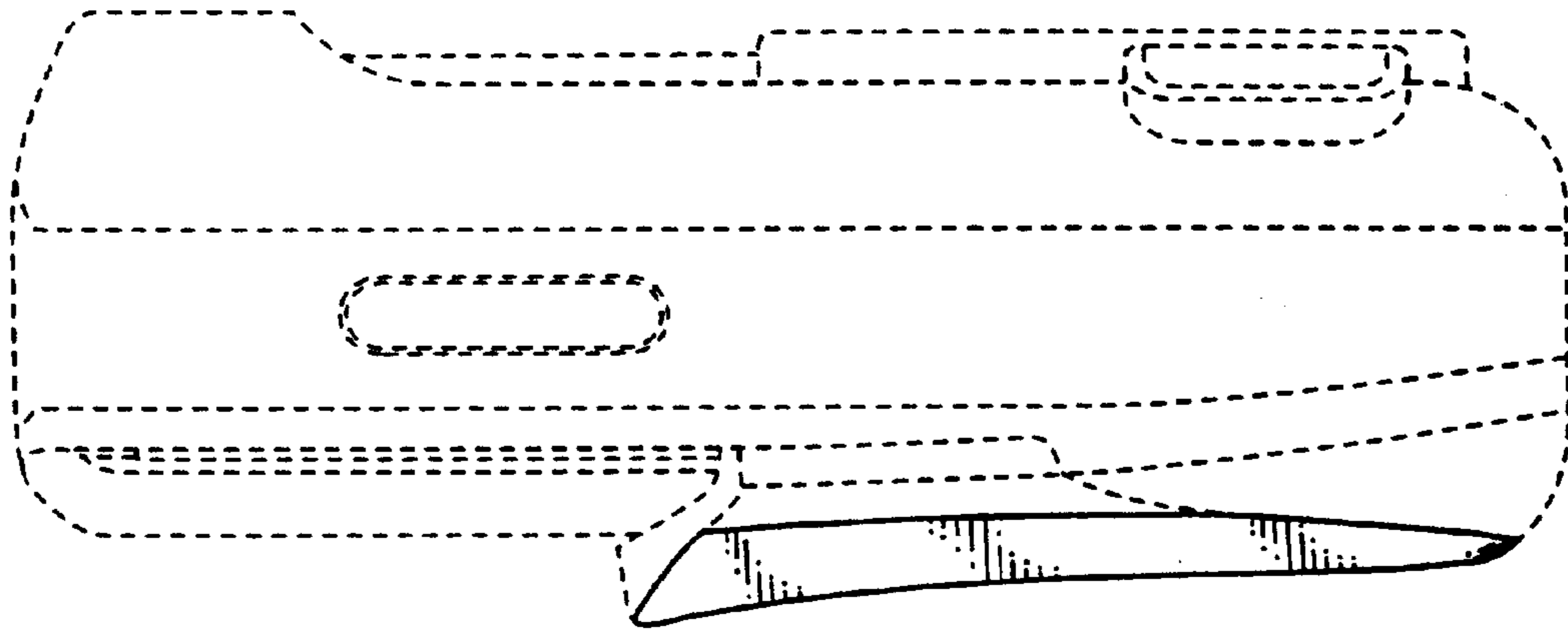


FIG. 6

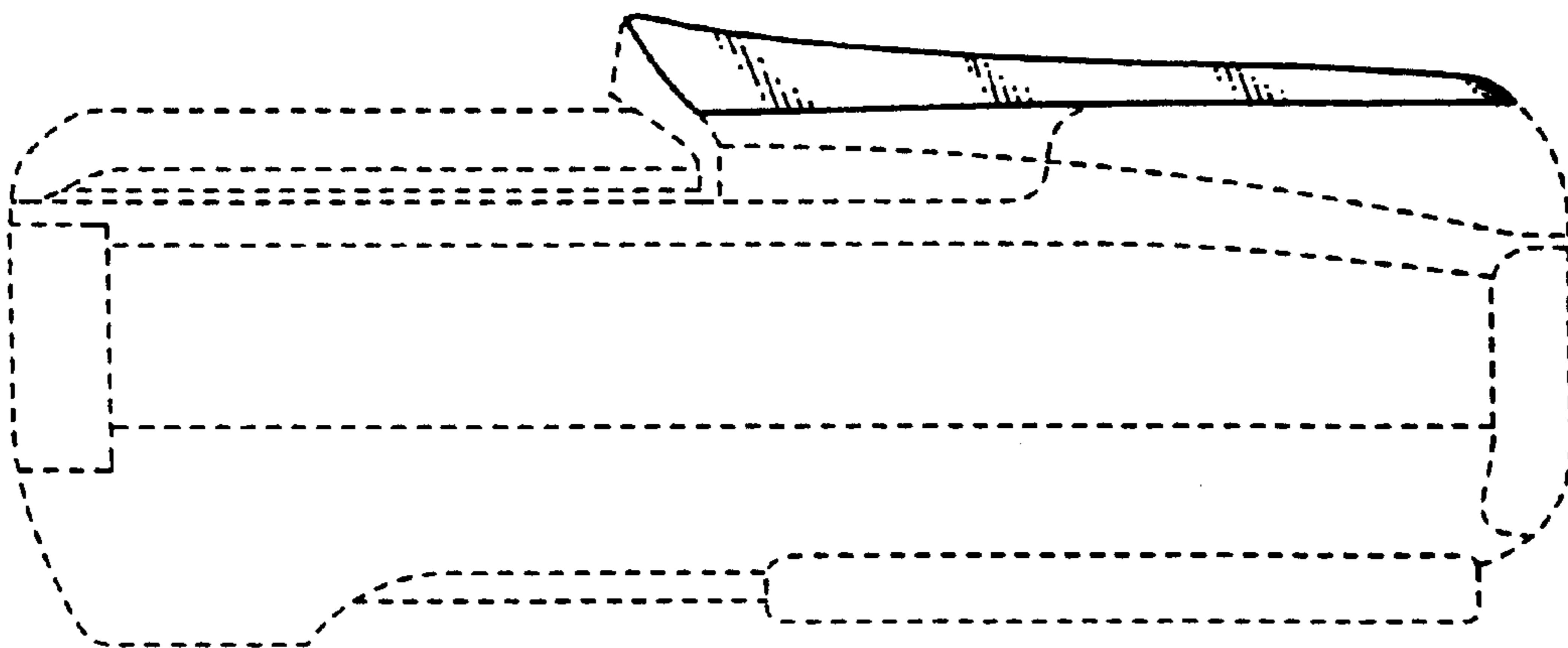


FIG. 7

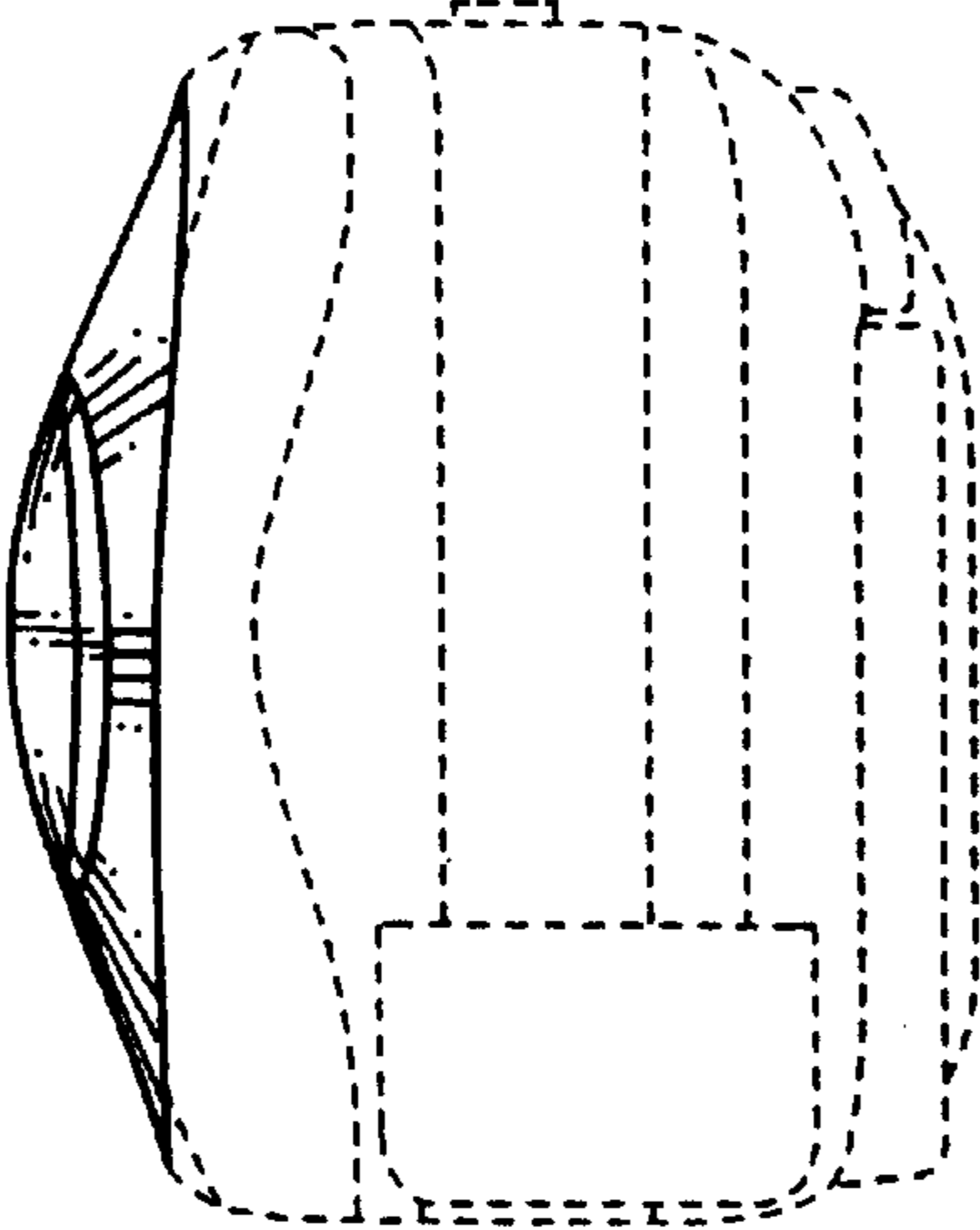


FIG. 8

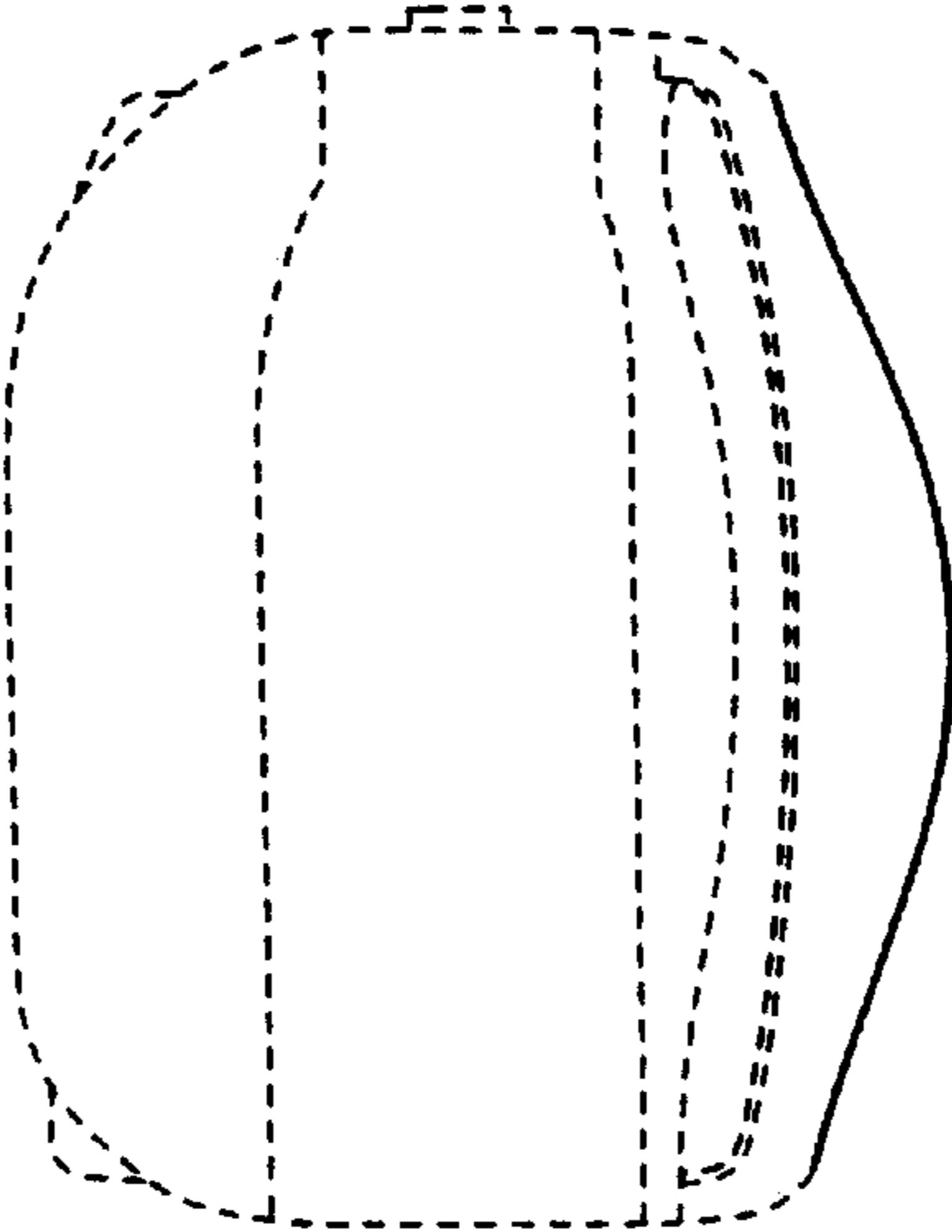


FIG. 9

