

US00D499130S

(12) **United States Design Patent** (10) **Patent No.:** **US D499,130 S**  
**Naito et al.** (45) **Date of Patent:** **\*\* Nov. 30, 2004**

(54) **DIGITAL CAMERA**

(75) Inventors: **Yoshitaka Naito**, Ome (JP); **Tatsuya Suzuki**, Tokyo (JP); **Hiroshi Iue**, Tokyo (JP)

(73) Assignee: **Olympus Corporation**, Tokyo (JP)

(\*\*) Term: **14 Years**

(21) Appl. No.: **29/159,993**

(22) Filed: **Apr. 30, 2002**

(51) **LOC (7) Cl.** ..... **16-05**

(52) **U.S. Cl.** ..... **D16/219; D16/202; D16/212**

(58) **Field of Search** ..... **D16/134, 136, D16/200-204, 208, 209, 218, 219; 348/373-376; 358/909.1; 396/349, 448, 535-541**

(56) **References Cited**

**U.S. PATENT DOCUMENTS**

D449,329 S	*	10/2001	Suzuki et al. ....	D16/219
D449,633 S	*	10/2001	Suzuki et al. ....	D16/219
D456,036 S	*	4/2002	Suzuki et al. ....	D16/219
D462,080 S	*	8/2002	Suzuki et al. ....	D16/219
D463,810 S	*	10/2002	Suzuki et al. ....	D16/202
2002/0176714 A1	*	11/2002	Nakanishi et al. ....	396/448

\* cited by examiner

*Primary Examiner*—Adir Aronovich  
(74) *Attorney, Agent, or Firm*—Hogan & Hartson LLP

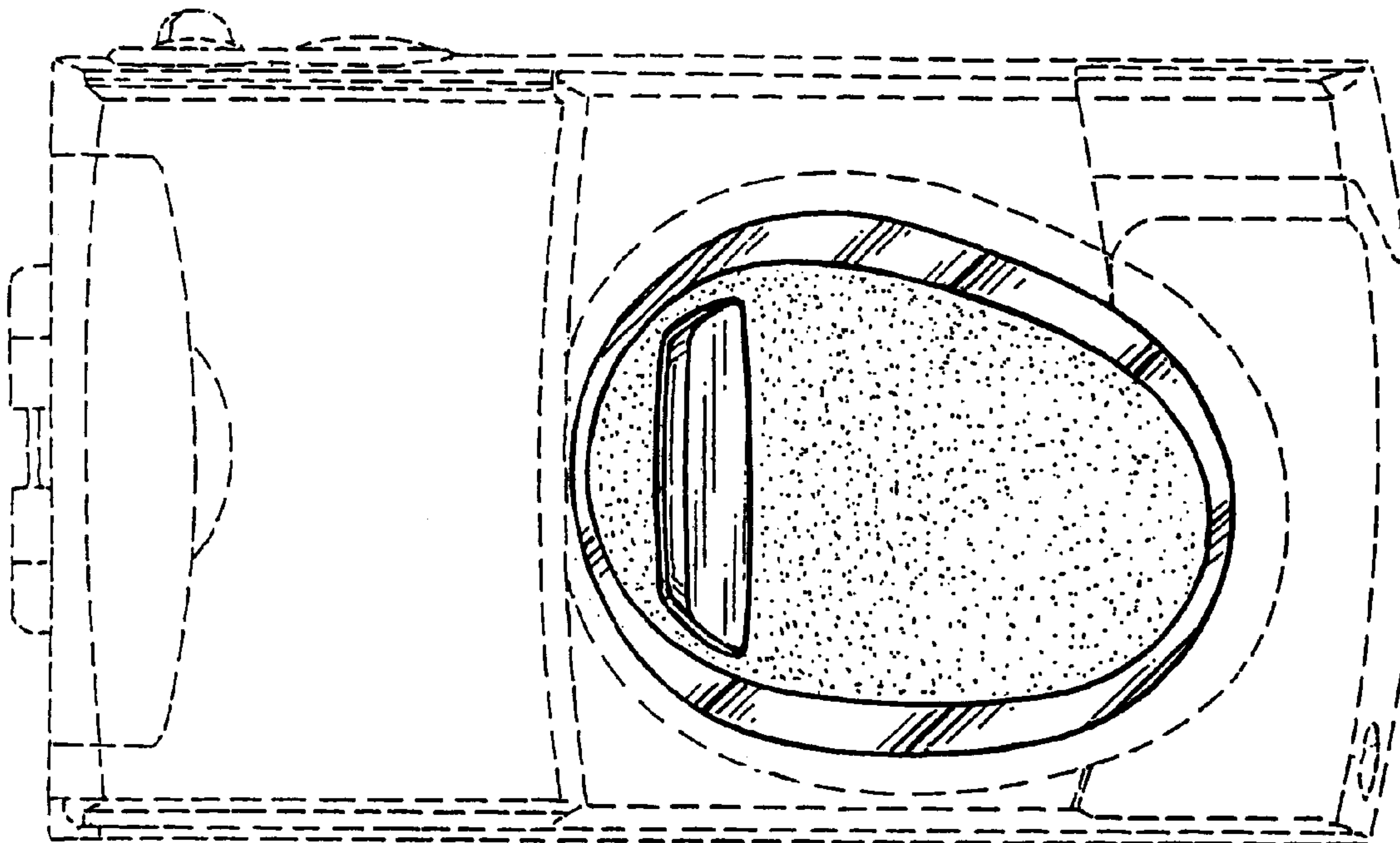
(57) **CLAIM**

The ornamental design for a digital camera, as shown and described.

**DESCRIPTION**

FIG. 1 is a front elevational view of a digital camera showing our new design;  
FIG. 2 is a top plan view thereof;  
FIG. 3 is a bottom plan view thereof;  
FIG. 4 is a rear elevational view thereof;  
FIG. 5 is a left side elevational view thereof;  
FIG. 6 is a right side elevational view thereof;  
FIG. 7 is a front elevational view thereof with a barrier in an opened state, with a lens in an extended state, and electronic flash unit in a raised state;  
FIG. 8 is a top plan view of FIG. 7; and,  
FIG. 9 is a right side elevational view of FIG. 7.  
The portions of the digital camera in broken lines are shown for illustrative purposes only and form no part of the claimed design.

**1 Claim, 3 Drawing Sheets**



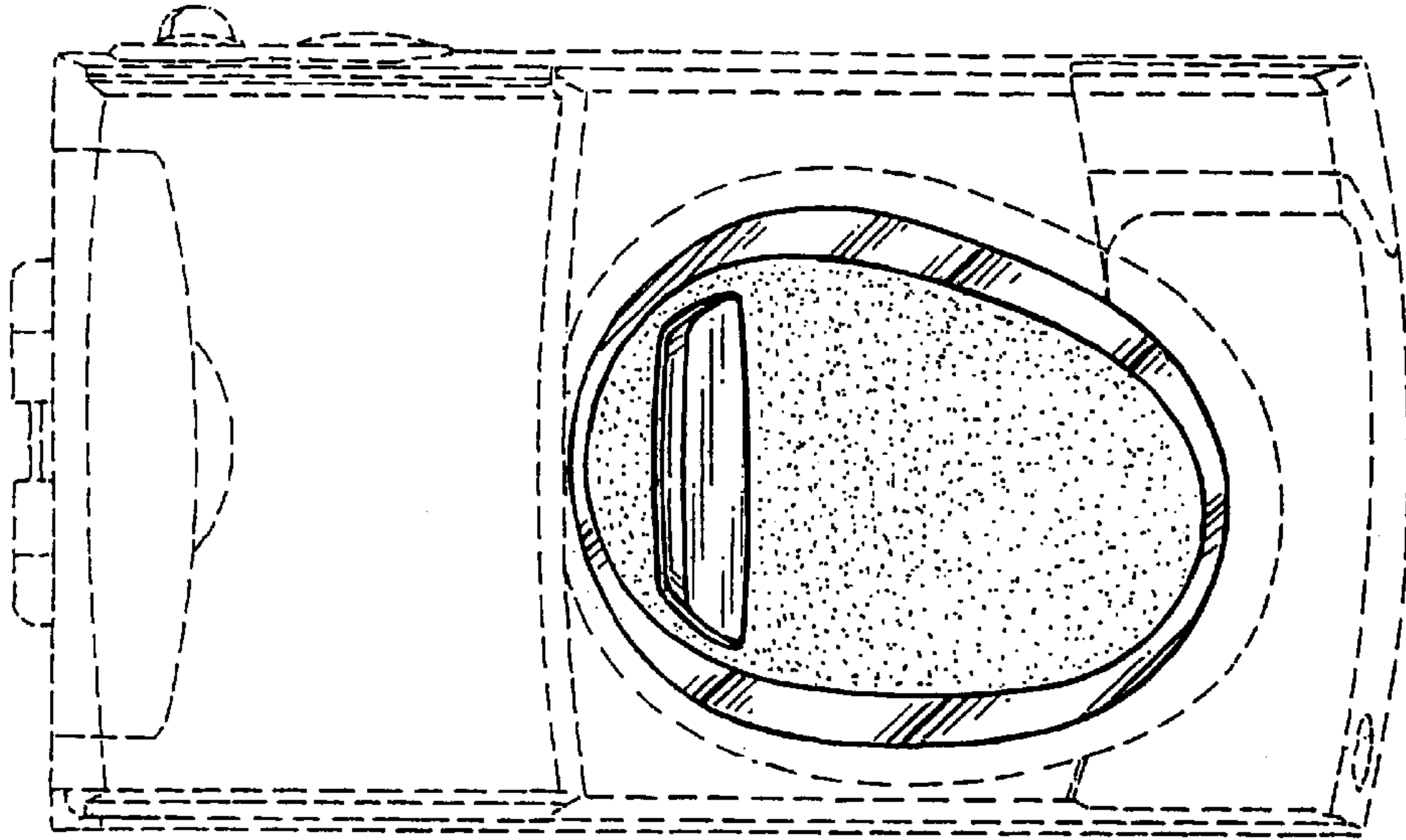


FIG. 1

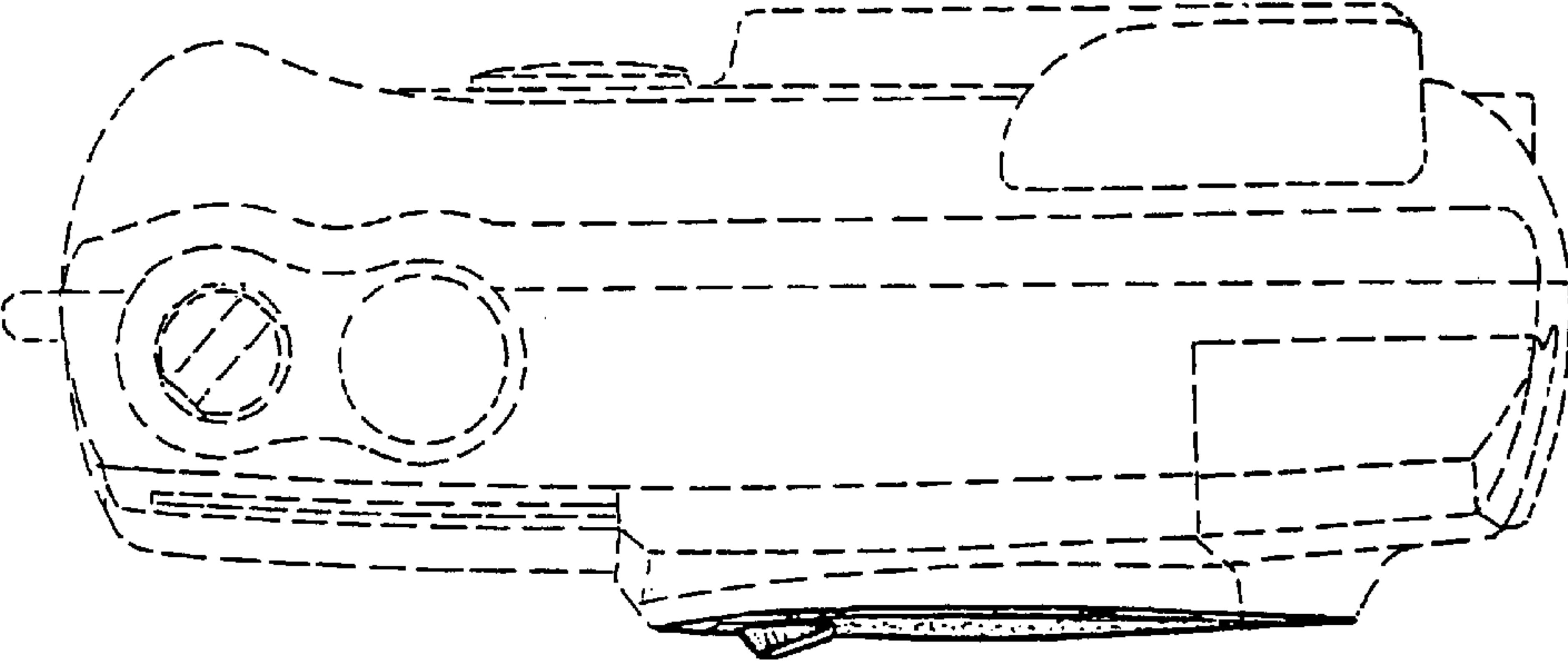


FIG. 2

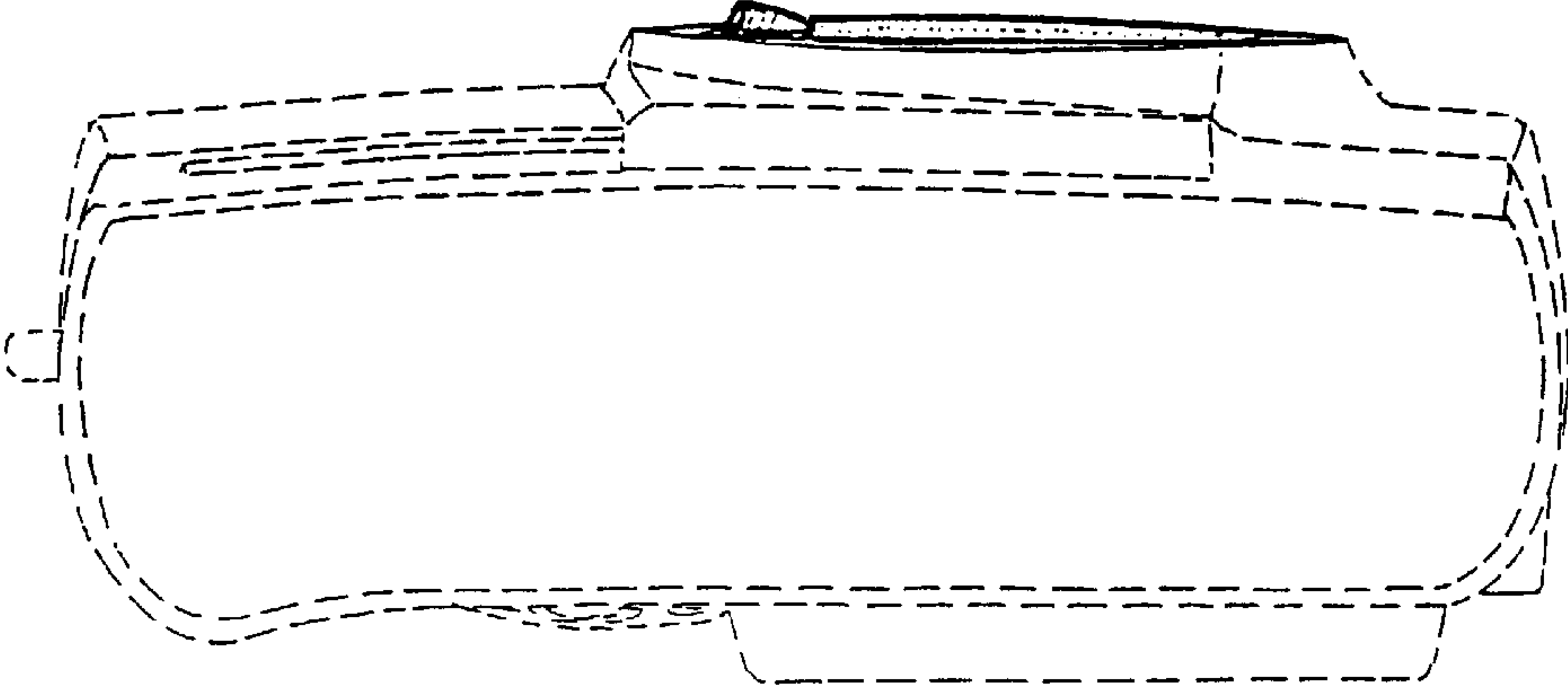


FIG. 3

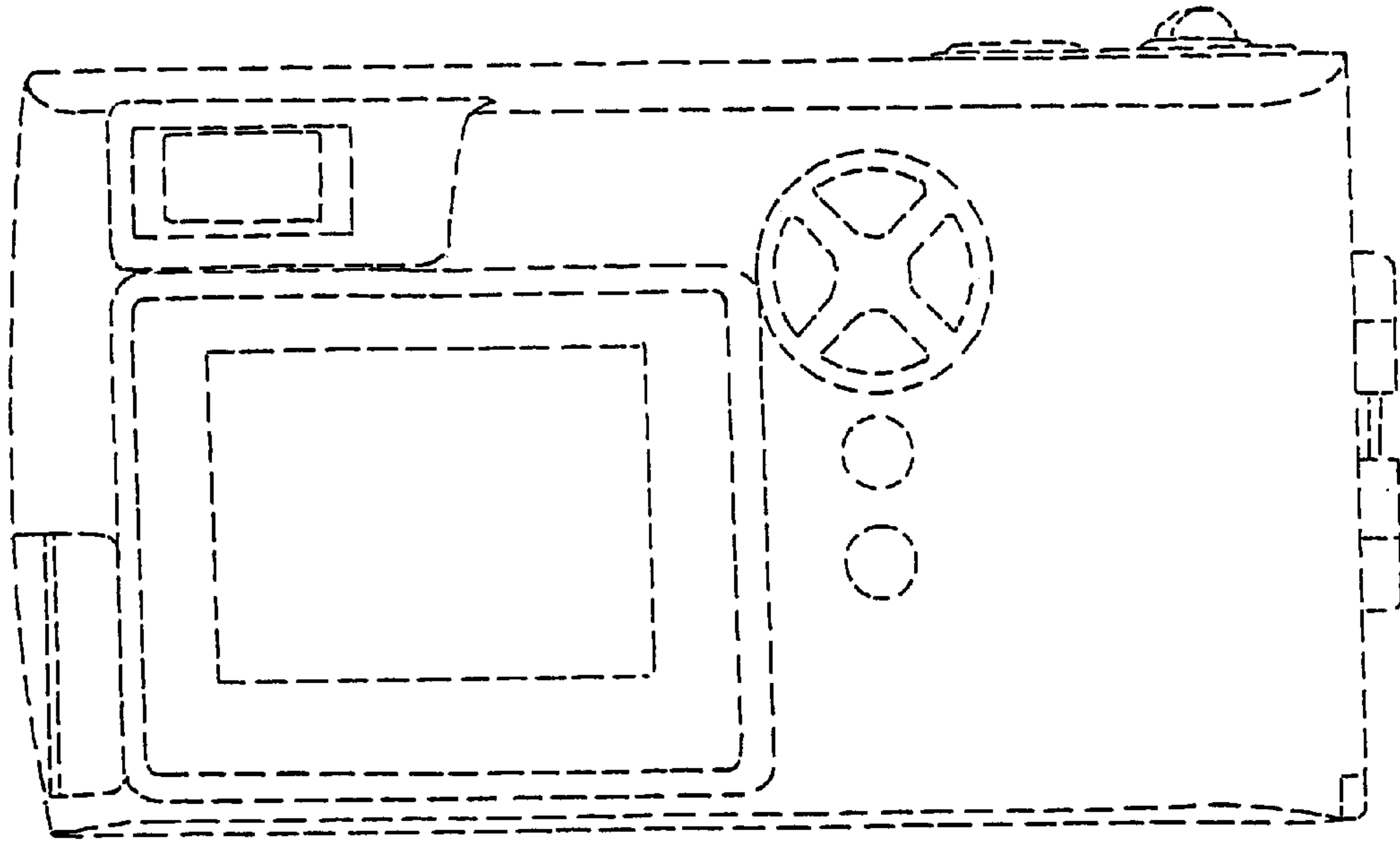


FIG. 4

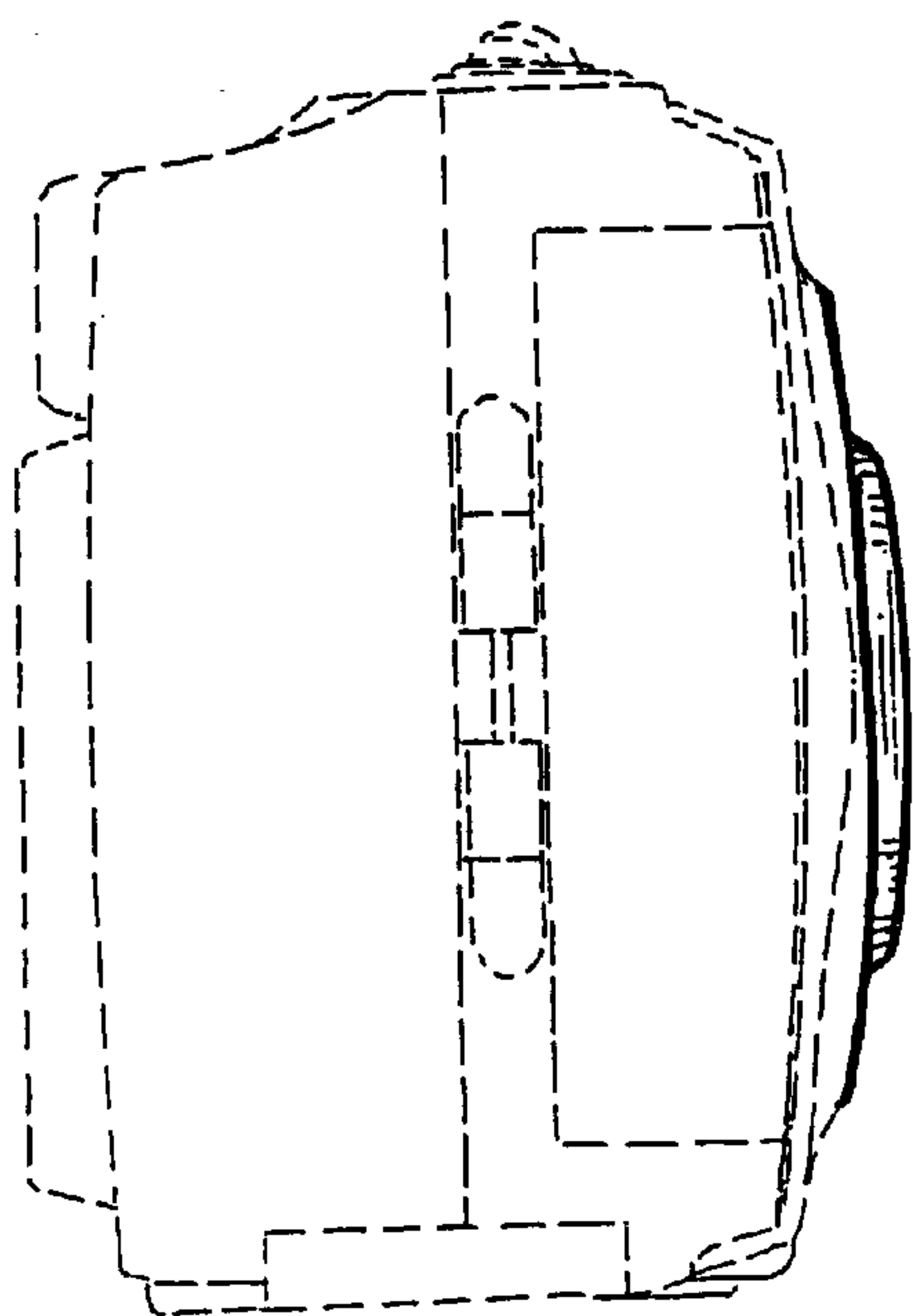


FIG. 5

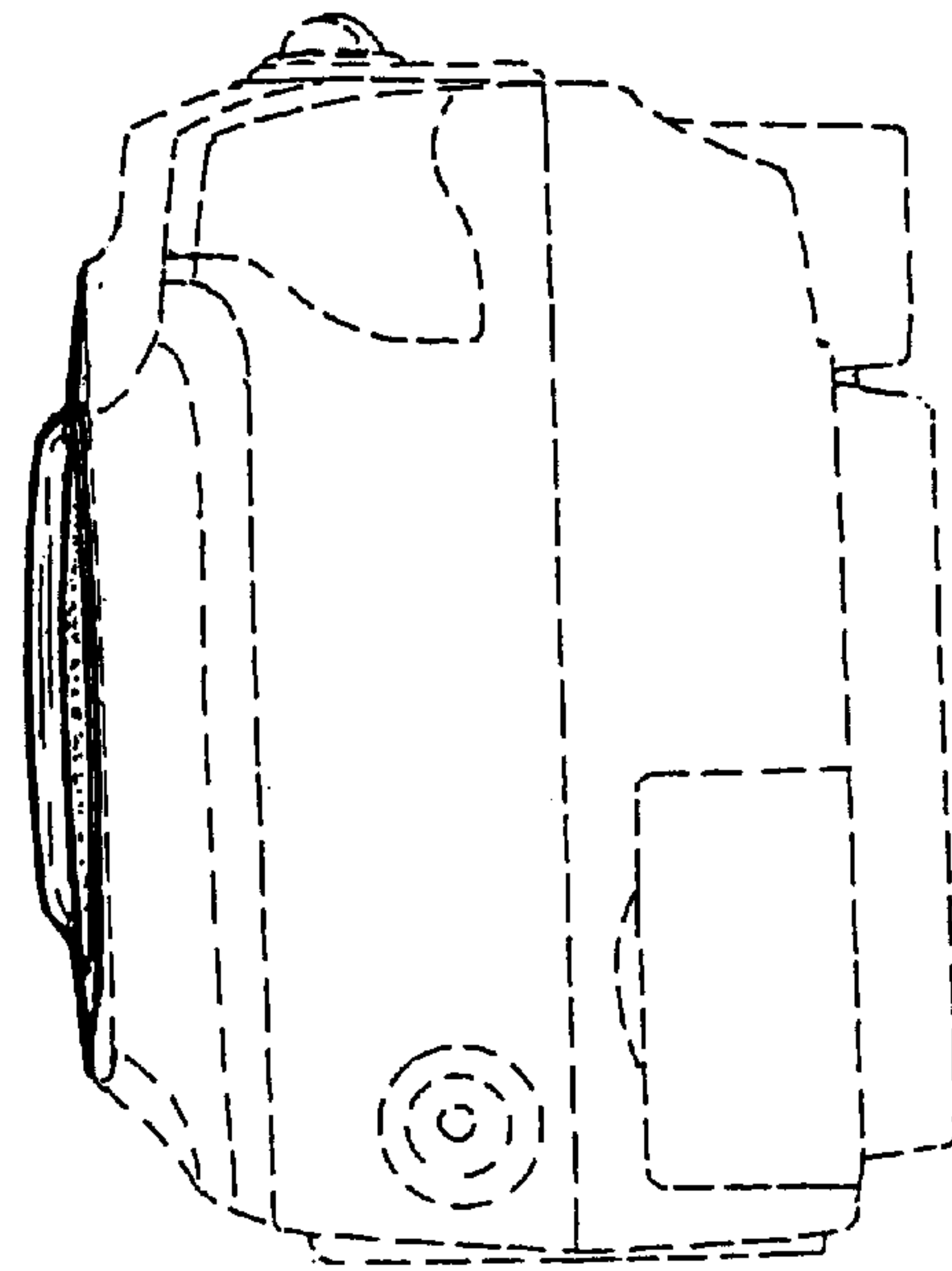


FIG. 6

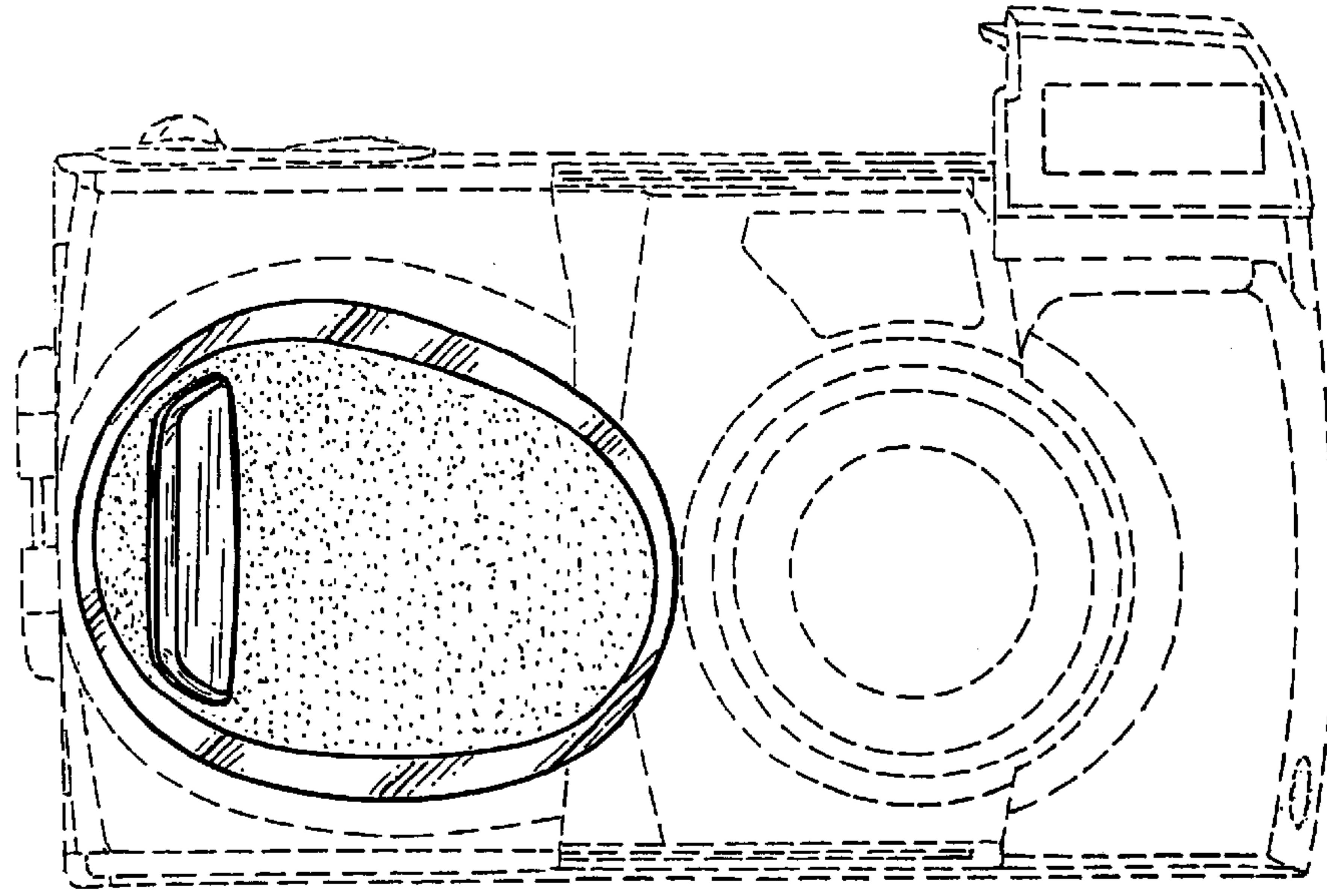


FIG. 7

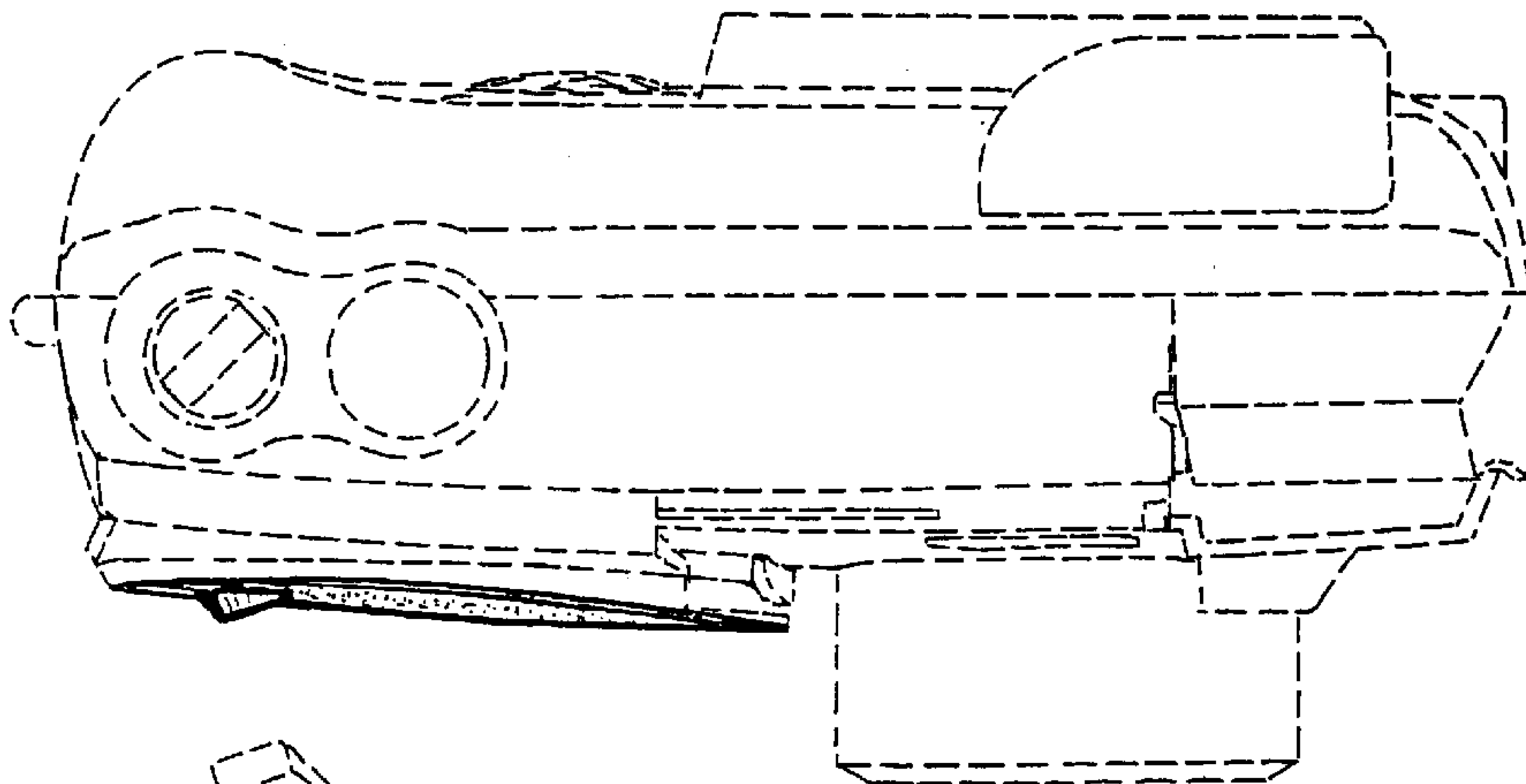


FIG. 8

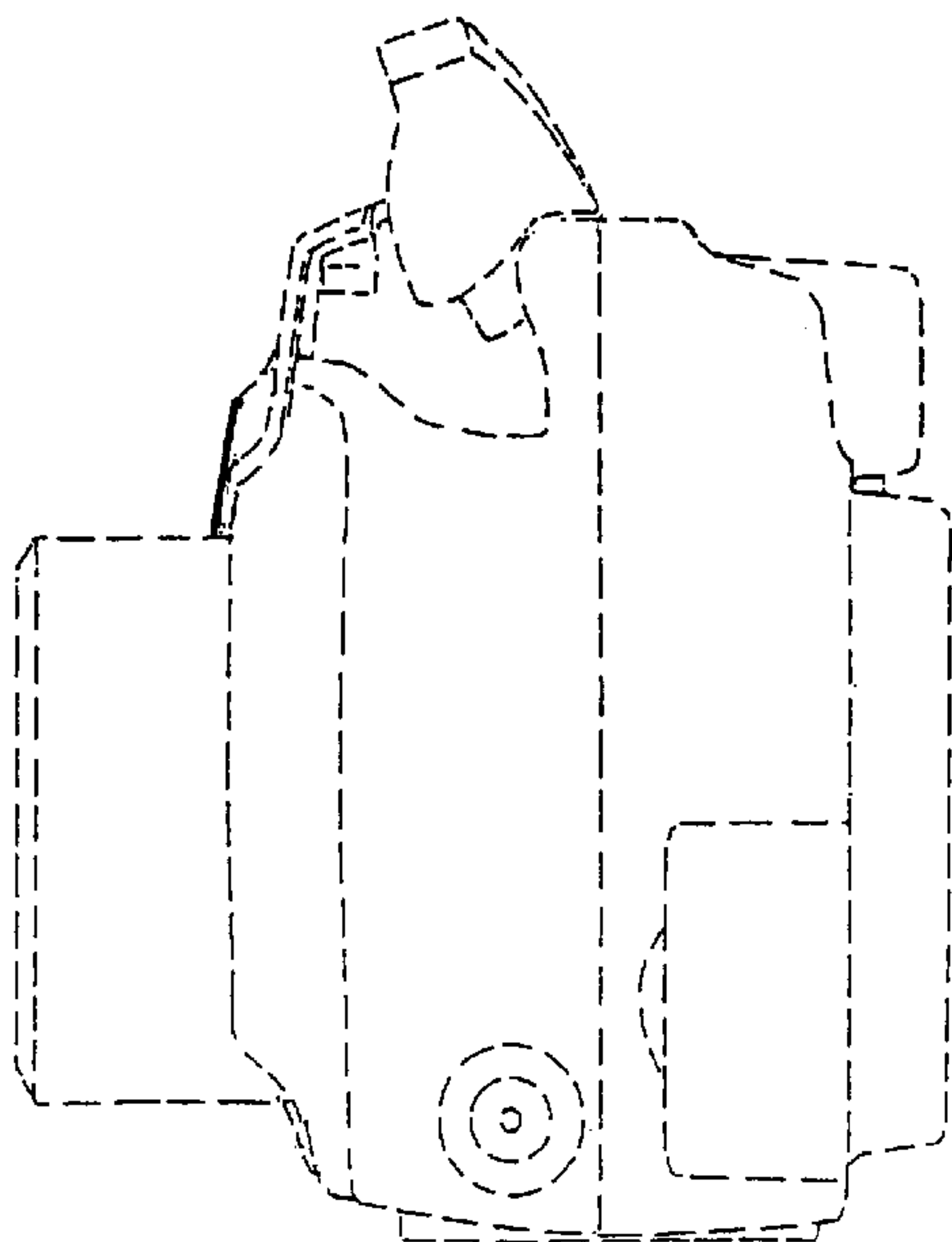


FIG. 9