

US00D499125S

(12) **United States Design Patent**
Adachi et al.

(10) **Patent No.:** **US D499,125 S**

(45) **Date of Patent:** **** Nov. 30, 2004**

(54) **SURVEILLANCE TELEVISION CAMERA**

(75) Inventors: **Tomoyuki Adachi**, Miyausiro-cho (JP);
Tetsuro Kato, Minato-ku (JP)

(73) Assignee: **Elmo Co., Ltd.**, Aichi (JP)

(**) Term: **14 Years**

(21) Appl. No.: **29/193,905**

(22) Filed: **Nov. 14, 2003**

(30) **Foreign Application Priority Data**

May 19, 2003 (JP) 2003-013679

(51) **LOC (7) Cl.** **16-01**

(52) **U.S. Cl.** **D16/203**

(58) **Field of Search** D10/104, 106;
D16/200-205, 208, 218; 348/143, 151,
373-376; 396/427, 535, 536-541

(56) **References Cited**

U.S. PATENT DOCUMENTS

5,689,304 A * 11/1997 Jones et al. 348/373
D412,924 S * 8/1999 Hiraguchi D16/203
D416,273 S * 11/1999 Yamakawa et al. D16/203

D425,535 S * 5/2000 Mutoh et al. D16/203
D426,250 S * 6/2000 Lefkowitz D16/203
D449,630 S * 10/2001 Rak et al. D16/203
D452,696 S * 1/2002 Fenton D16/203
2003/0103161 A1 * 6/2003 Tatewaki et al. 348/375

* cited by examiner

Primary Examiner—Adir Aronovich

(74) *Attorney, Agent, or Firm*—Koda & Androlia

(57) **CLAIM**

The ornamental design for a surveillance television camera,
as shown and described.

DESCRIPTION

FIG. 1 is a front elevational view of the surveillance television camera showing our new design; FIG. 2 is a rear elevational view thereof; FIG. 3 is a top plan view thereof; FIG. 4 is a bottom plan view thereof; FIG. 5 is a right side elevational view thereof; FIG. 6 is a left side elevational view thereof; and, FIG. 7 is a perspective view taken from the front, bottom and right side of the surveillance television camera.

1 Claim, 7 Drawing Sheets

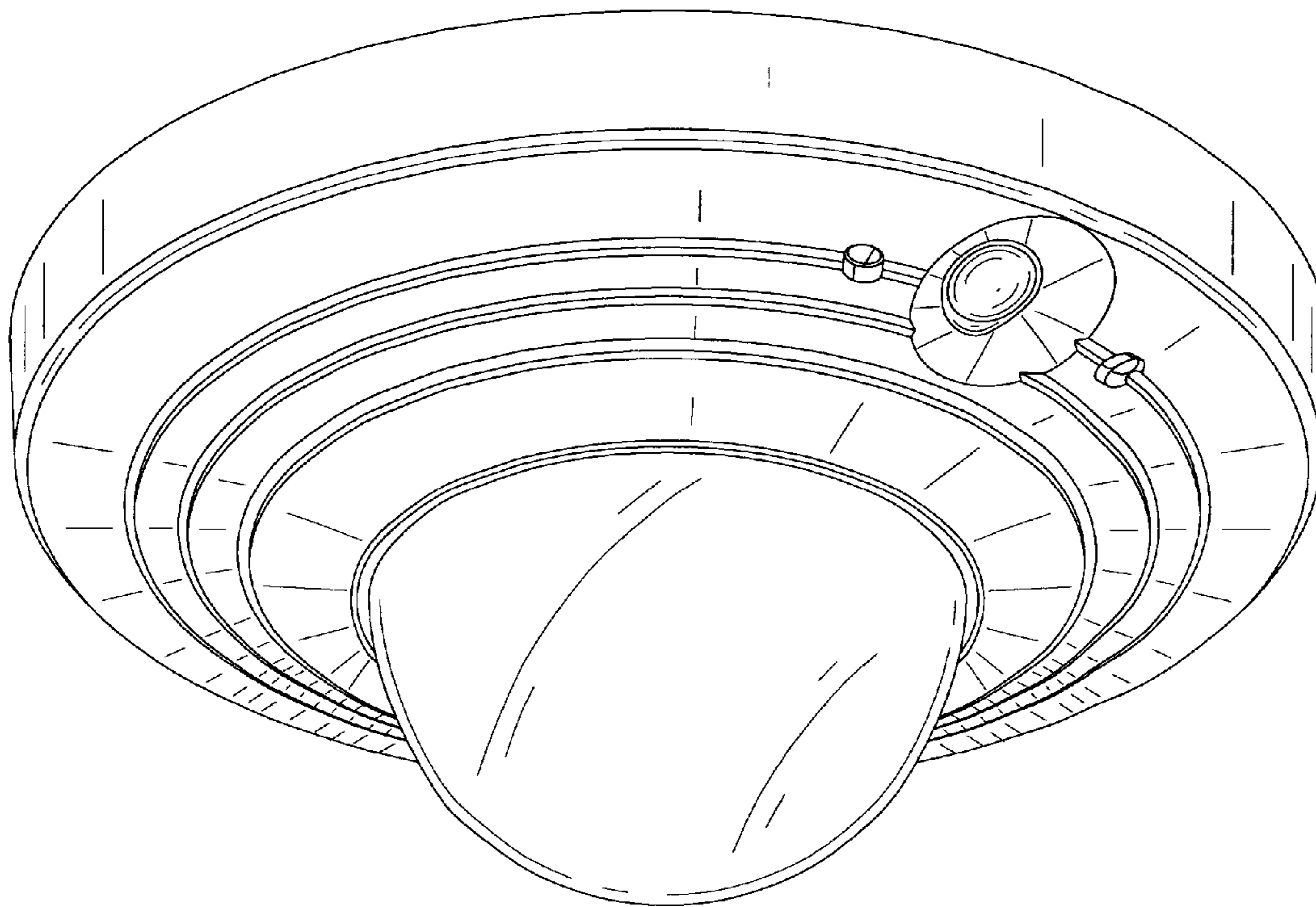


Fig. 1

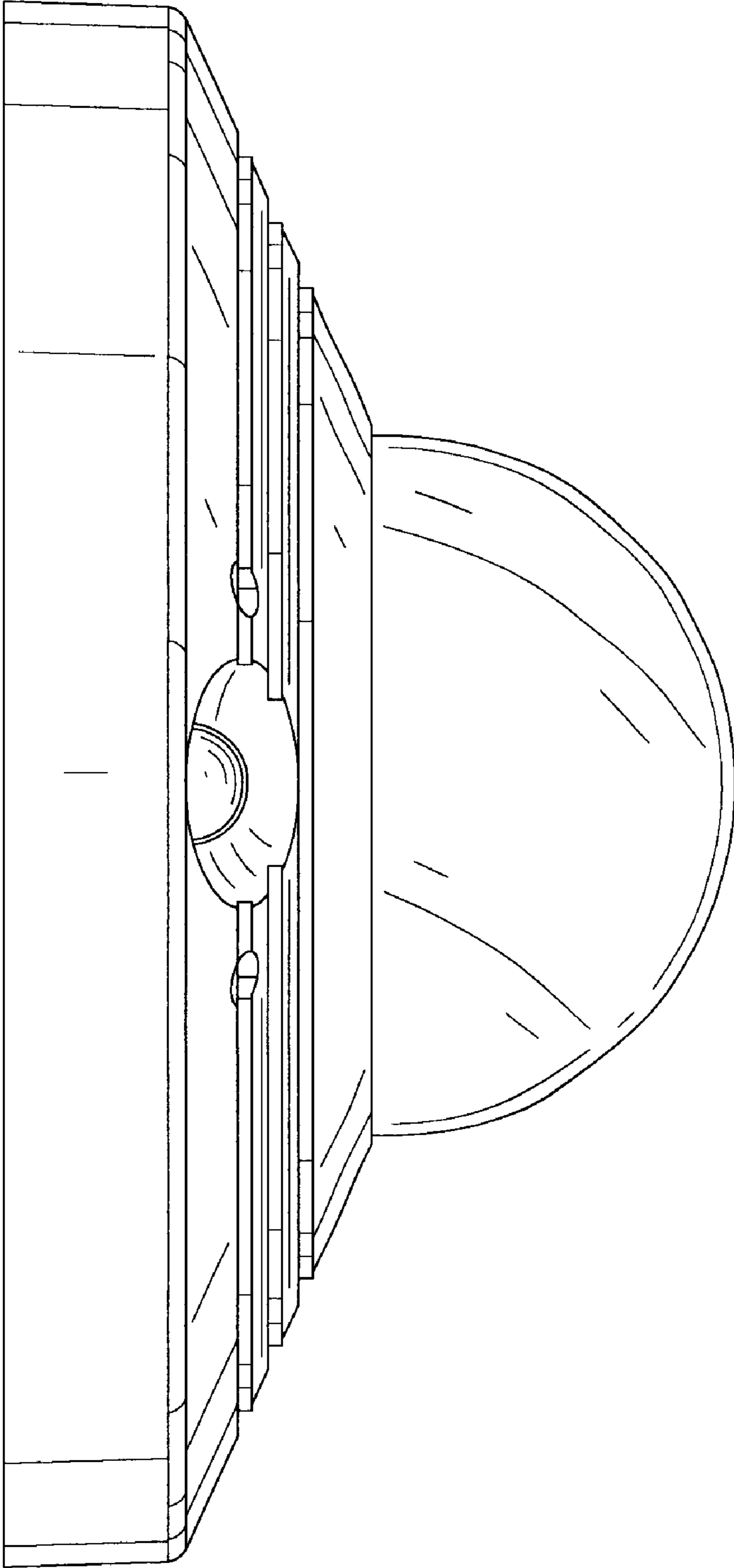


Fig. 2

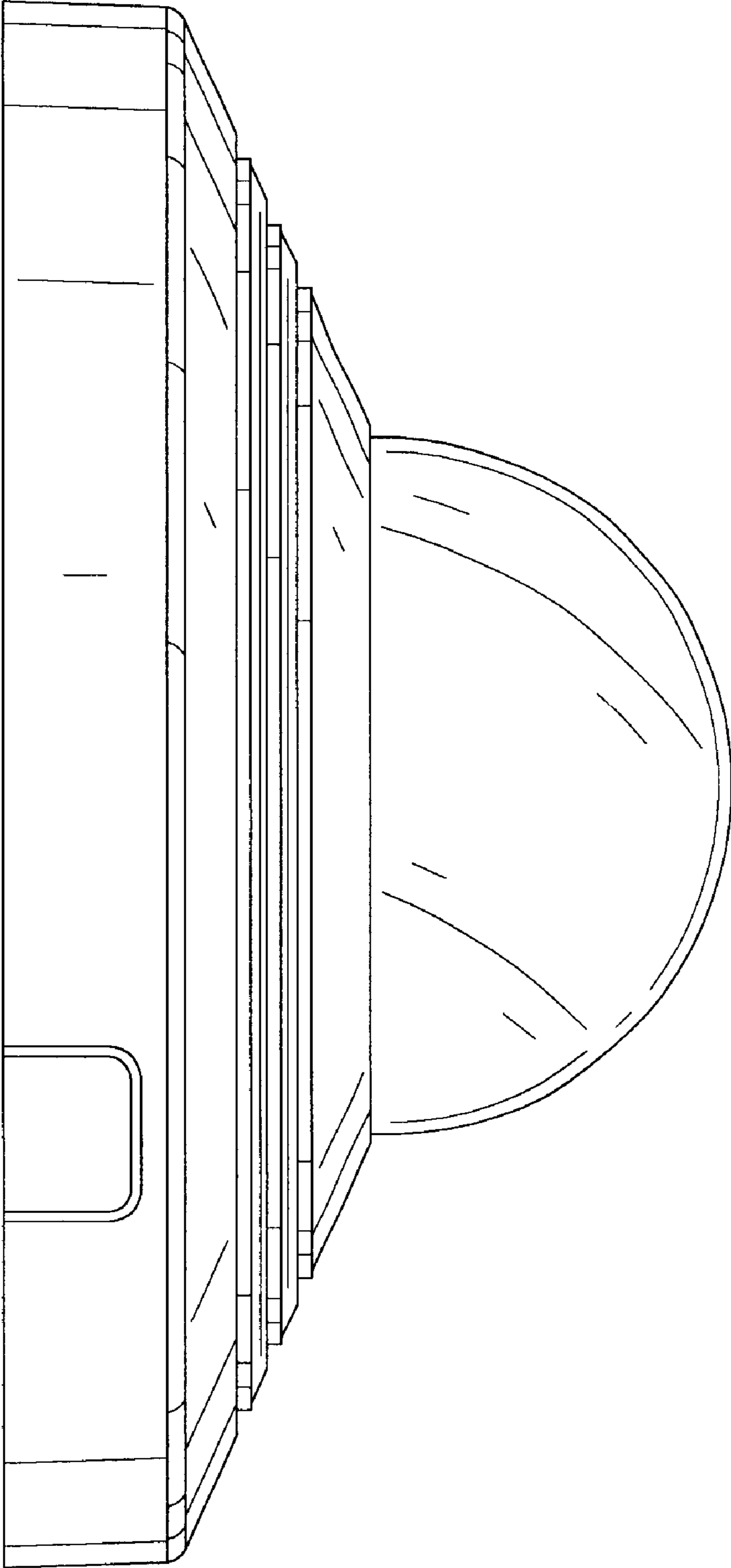


Fig.3

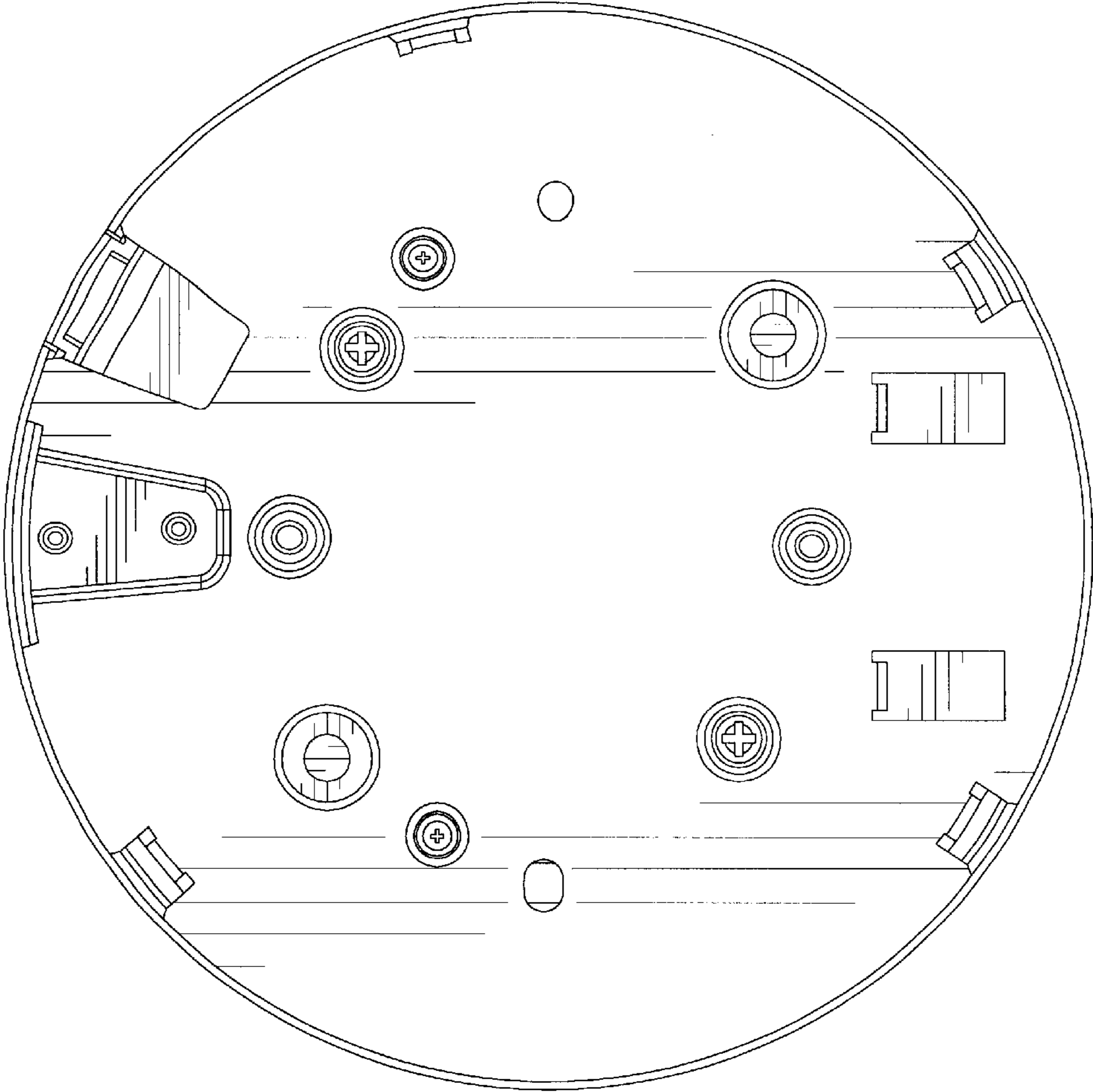


Fig.4

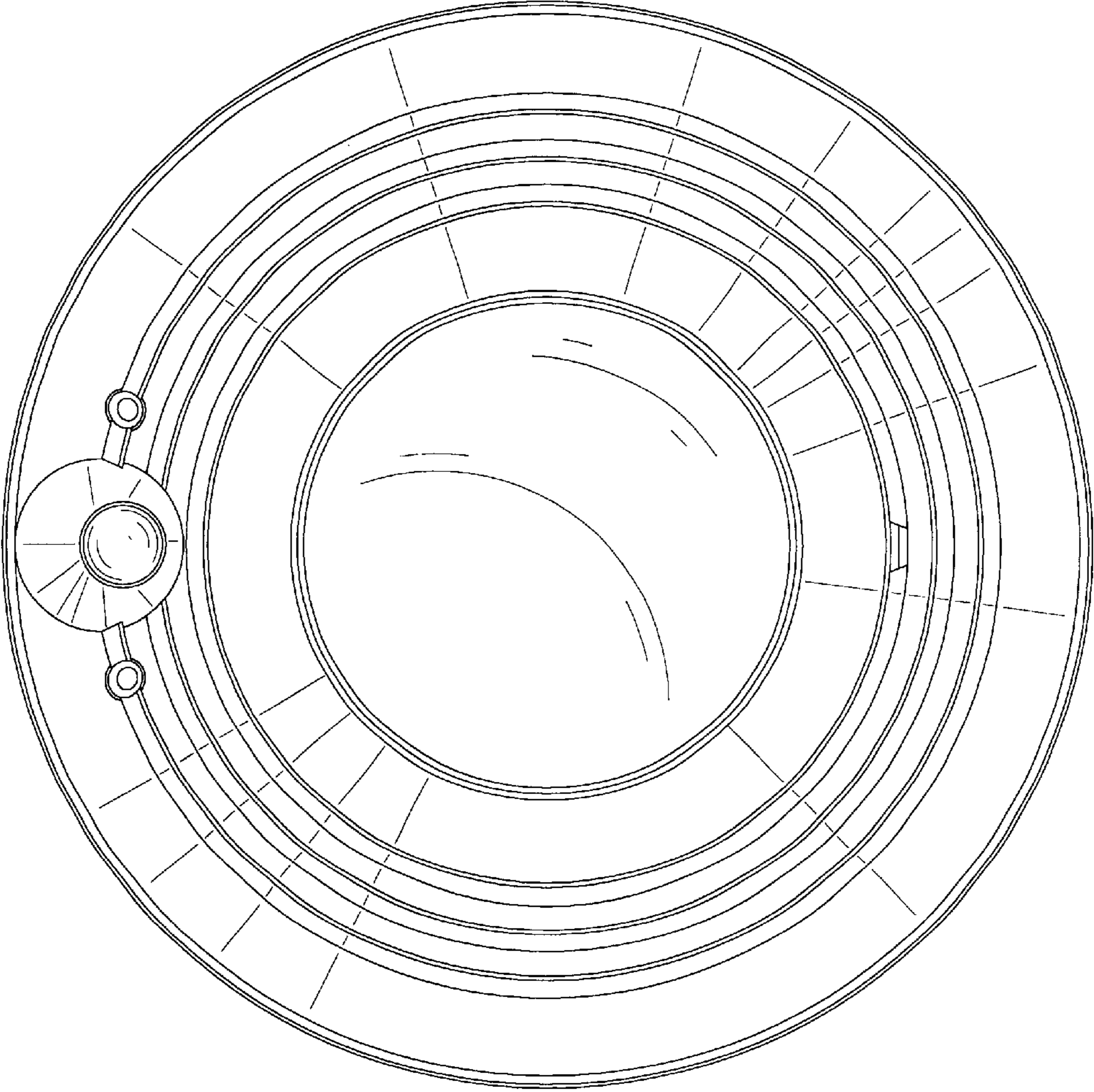


Fig. 5

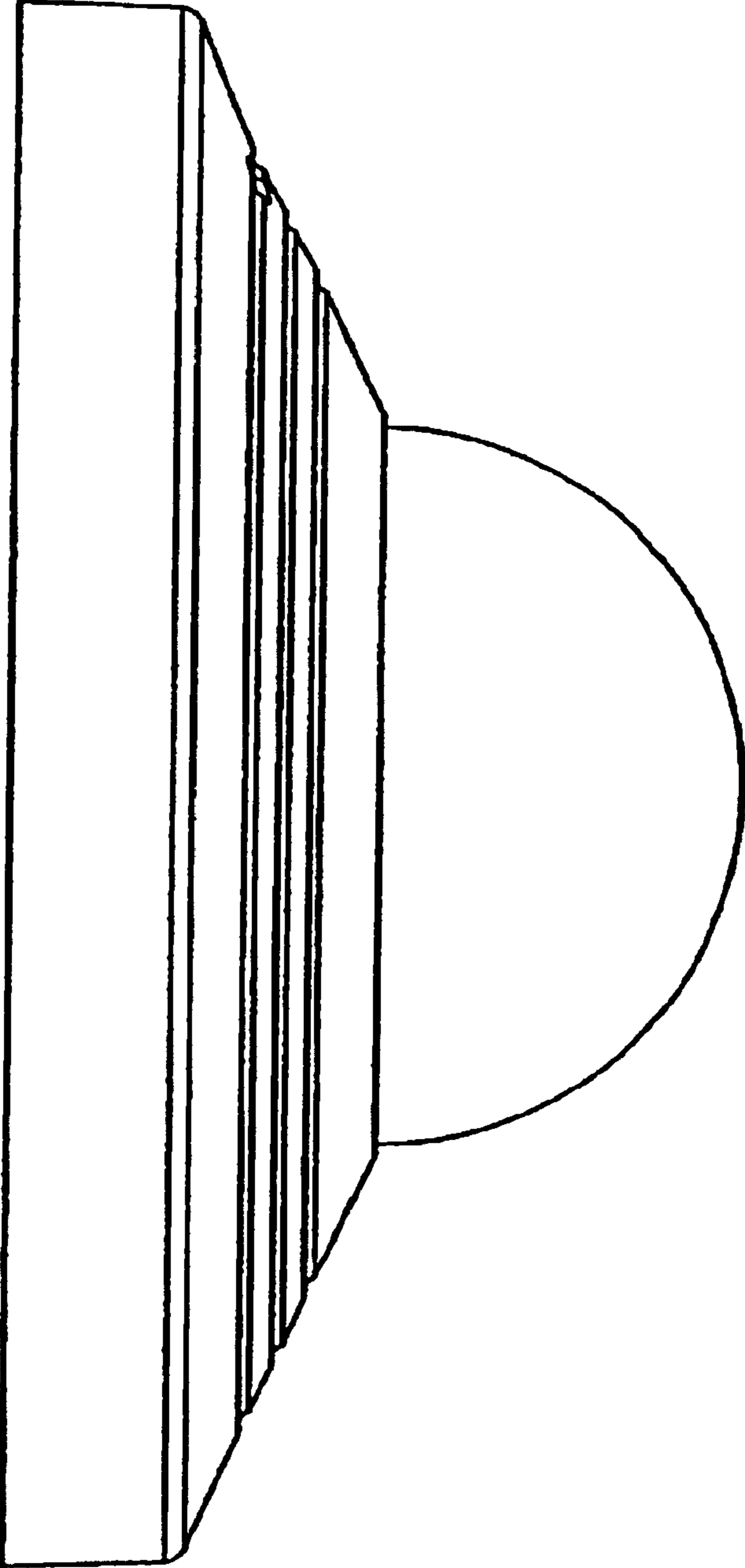


Fig. 6

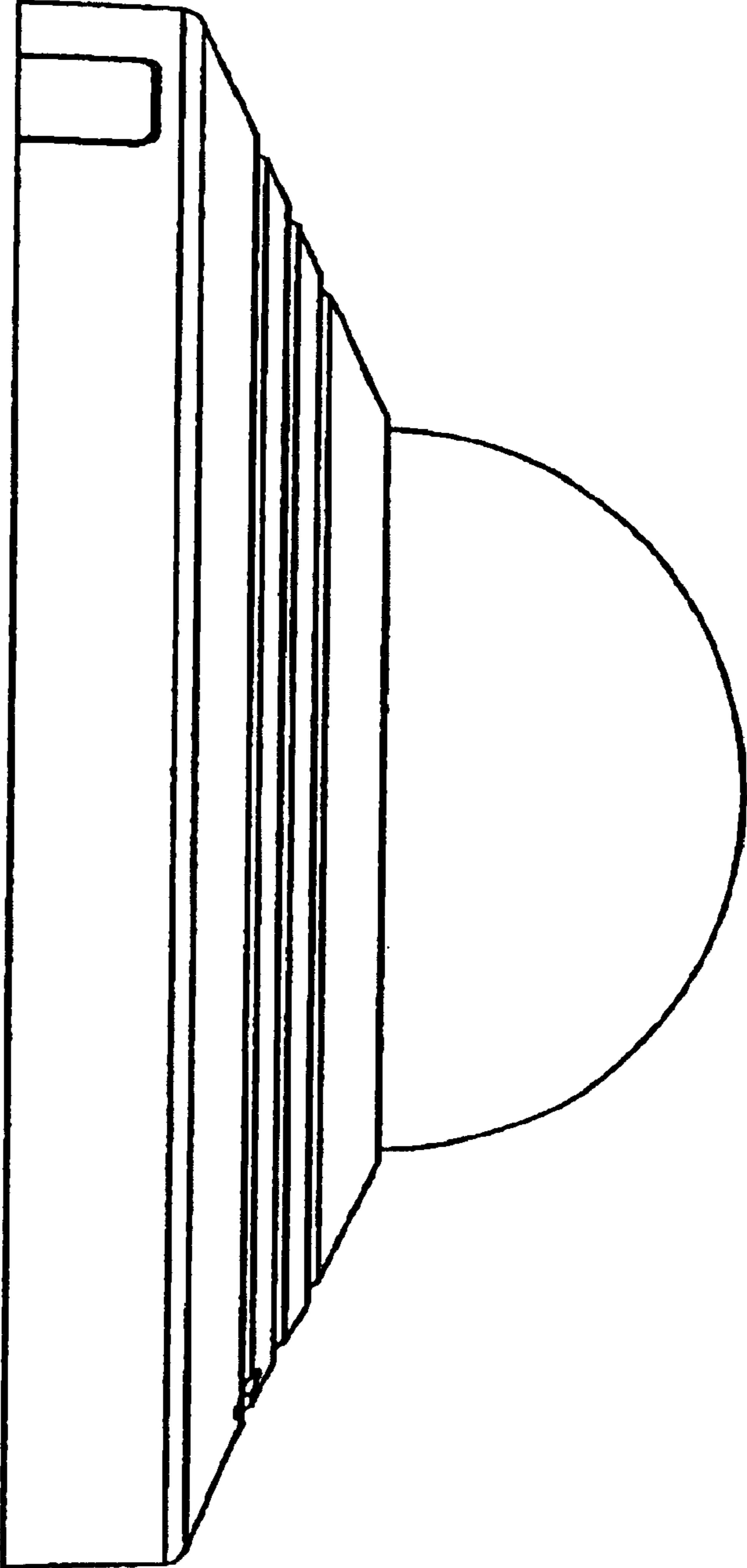


Fig. 7

