

US00D499124S

(12) **United States Design Patent**
Kuraoka et al.

(10) **Patent No.:** **US D499,124 S**

(45) **Date of Patent:** **** Nov. 30, 2004**

(54) **NOZZLE FOR PLASMA ARC TORCH**

(75) Inventors: **Kazuhiro Kuraoka**, **Komatsu (JP)**;
Yoshihiro Yamaguchi, **Komatsu (JP)**

(73) Assignee: **Komatsu Industries Corporation**,
Tokyo (JP)

(**) Term: **14 Years**

(21) Appl. No.: **29/192,733**

(22) Filed: **Oct. 30, 2003**

(51) **LOC (7) Cl.** **15-09**

(52) **U.S. Cl.** **D15/144**

(58) **Field of Search** **D15/144; 219/121.4-121.5**

(56) **References Cited**

U.S. PATENT DOCUMENTS

D365,345 S * 12/1995 Carkhuff D15/144

* cited by examiner

Primary Examiner—Antoine D. Davis

(74) *Attorney, Agent, or Firm*—Manabu Kanesaka

(57) **CLAIM**

The ornamental design for a nozzle for a plasma arc torch, as shown and described.

DESCRIPTION

FIG. 1 is a right side view of a nozzle for a plasma arc torch showing our new design;

FIG. 2 is a left side view thereof;

FIG. 3 is a front view thereof, a rear view being symmetrical to the front view, a plan view and a bottom view being same as the front view; and,

FIG. 4 is a sectional view thereof taken along line 4—4 in FIG. 1.

1 Claim, 2 Drawing Sheets

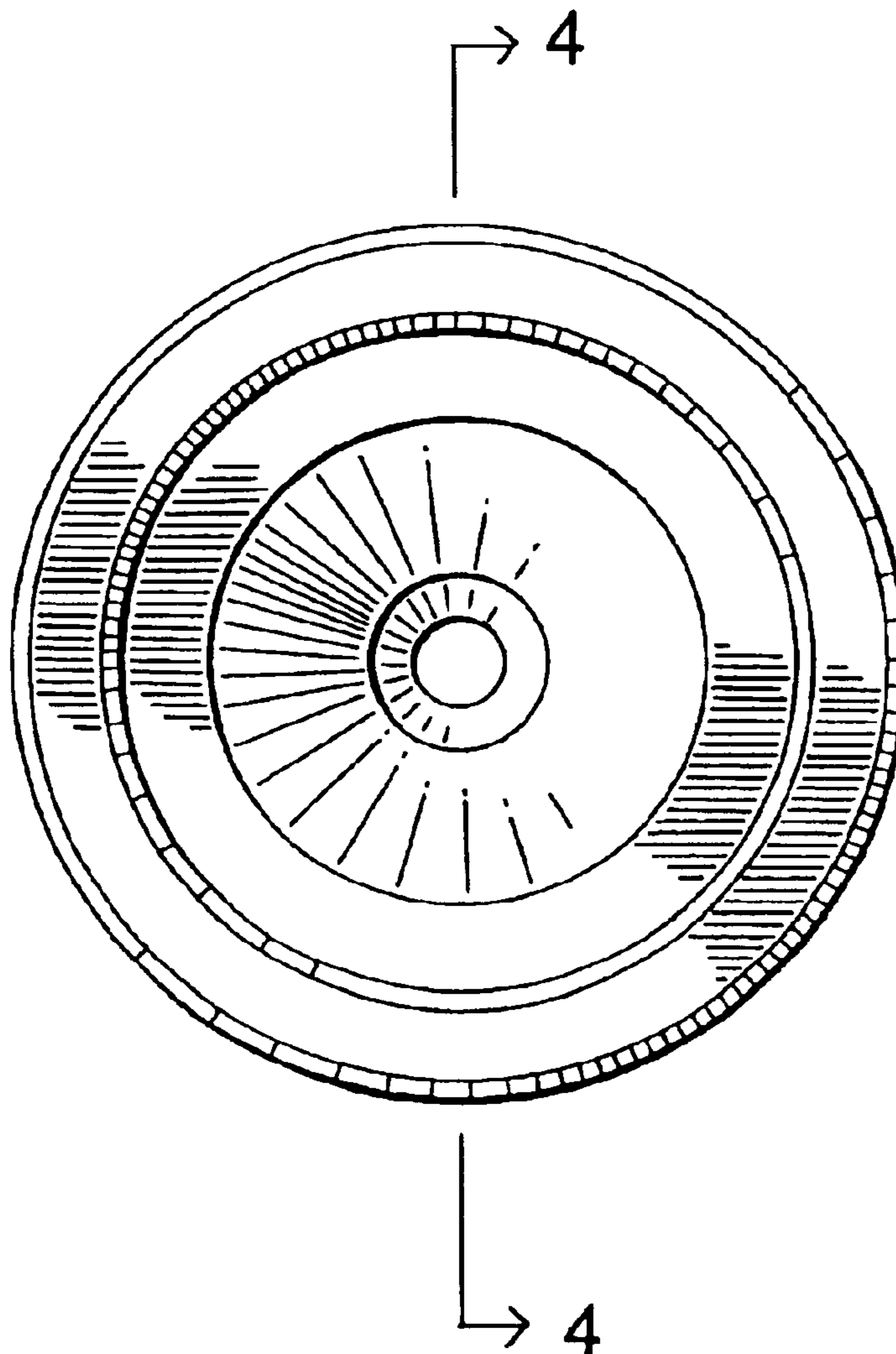


Fig. 1

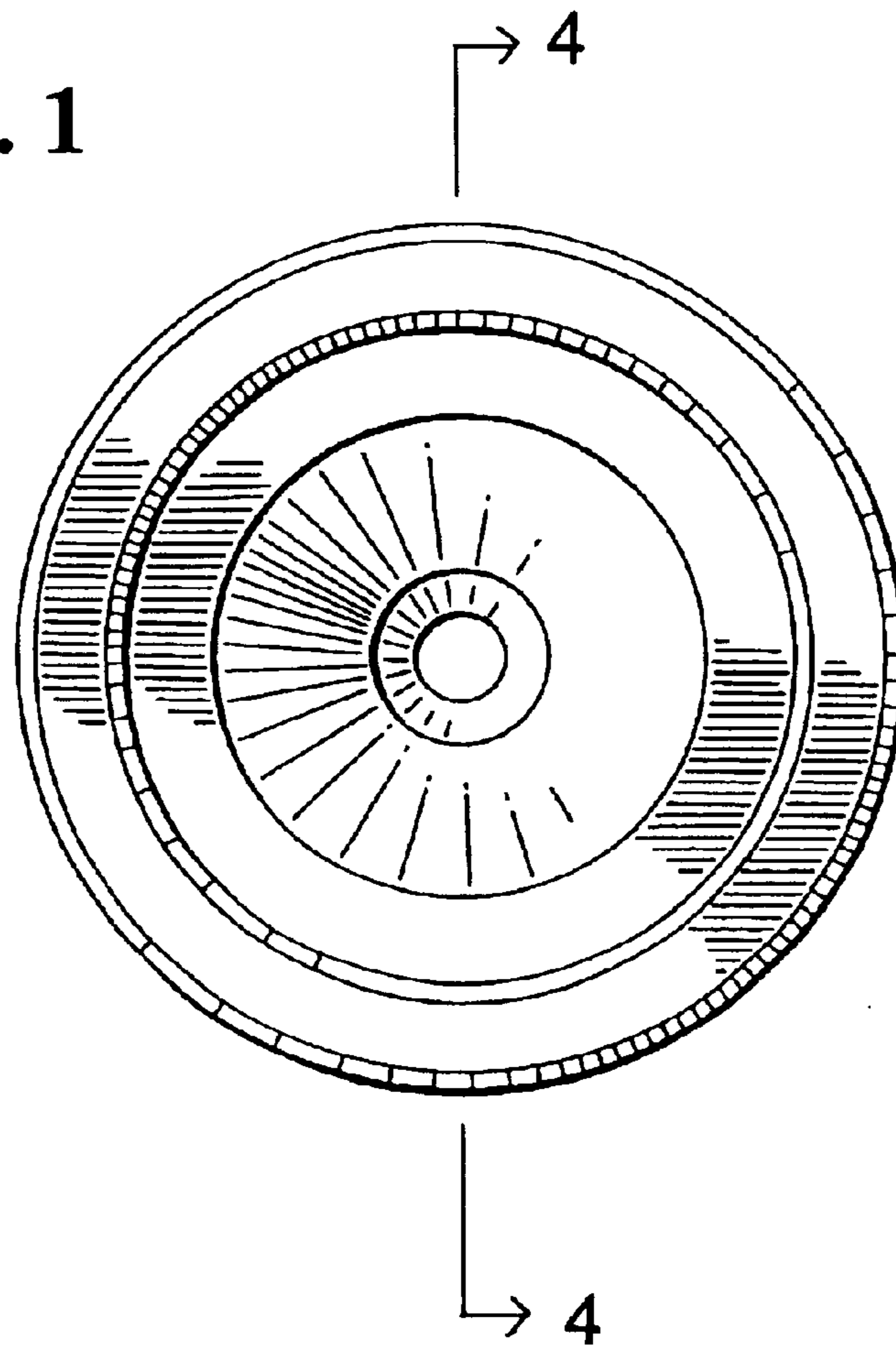


Fig. 2

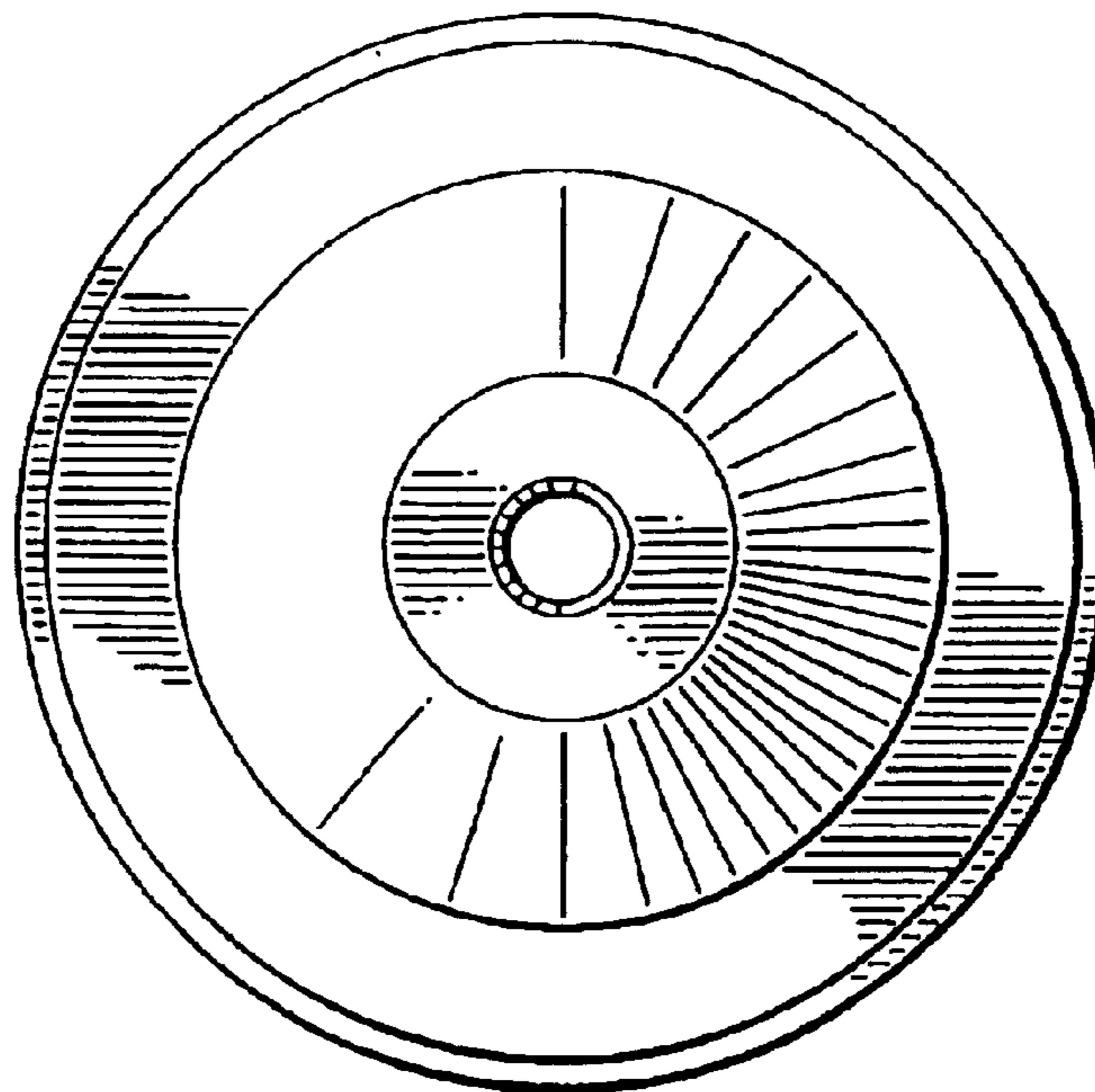


Fig. 3

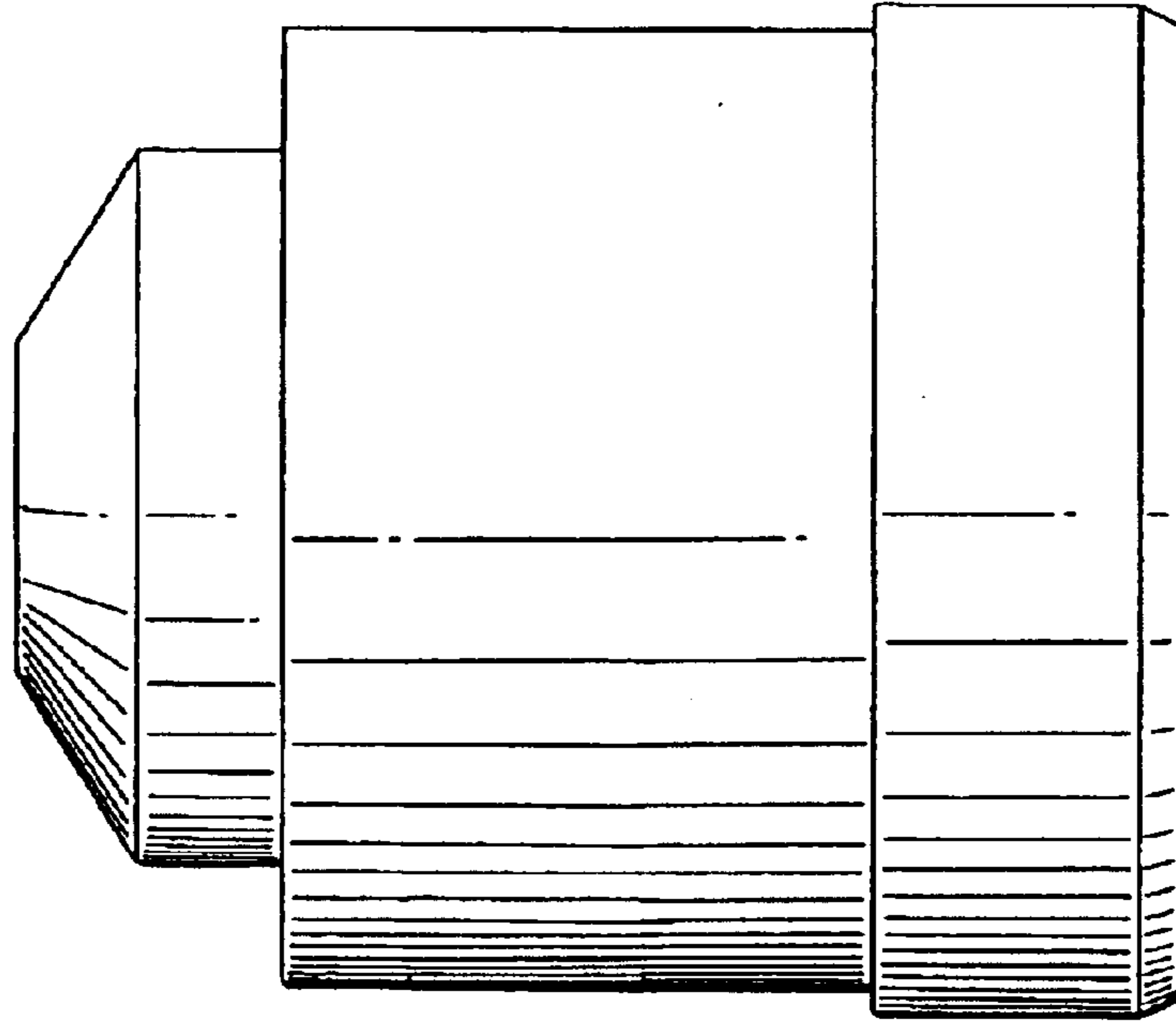


Fig. 4

