



US00D499120S

(12) **United States Design Patent** (10) **Patent No.:** **US D499,120 S**
Buck (45) **Date of Patent:** **** Nov. 30, 2004**

(54) **AIR COMPRESSOR**

(75) Inventor: **John E. Buck**, Cockeysville, MD (US)

(73) Assignee: **Black & Decker Inc.**, Newark, DE (US)

(**) Term: **14 Years**

(21) Appl. No.: **29/197,228**

(22) Filed: **Jan. 12, 2004**

Related U.S. Application Data

(63) Continuation-in-part of application No. 29/178,028, filed on Mar. 20, 2003, now Pat. No. Des. 487,096.

(51) **LOC (7) Cl.** **15-02**

(52) **U.S. Cl.** **D15/9**

(58) **Field of Search** D15/7-9; 417/321, 417/410, 413.1, 415, 423.3, 486, 521, 534; 415/148

(56) **References Cited**

U.S. PATENT DOCUMENTS

D140,642 S	3/1945	Mandt et al.
D144,482 S	4/1946	Davis et al.
2,434,675 A	1/1948	Simpson
2,490,305 A	12/1949	Jones
2,521,313 A	9/1950	Sproat
D170,330 S	9/1953	Miller
2,685,404 A	8/1954	Wohlmeyer
2,772,921 A	12/1956	Nance
2,804,259 A	8/1957	Ralston
2,812,895 A	11/1957	Peeps
2,826,354 A	3/1958	Field
D185,000 S	4/1959	Hoover
D197,860 S	3/1964	Winger
3,433,415 A	3/1969	Enssle
D223,039 S	2/1972	Widmer
D231,226 S	4/1974	Monroe
D243,282 S	2/1977	Burenga
4,077,747 A	3/1978	Burenga

D249,265 S	9/1978	Nanjo
D273,011 S	3/1984	Dudley
D273,493 S	4/1984	Vitaloni
D278,425 S	4/1985	Toshihiko
D293,446 S	12/1987	Morgan
D293,584 S	1/1988	Morgan
D293,585 S	1/1988	Morgan
4,722,673 A	2/1988	Grime et al.
5,147,182 A	* 9/1992	Timmons 417/234
D352,292 S	11/1994	Morgan
D352,293 S	11/1994	Morgan
D352,294 S	11/1994	Morgan
D398,614 S	* 9/1998	Kartinen D15/7
6,004,103 A	12/1999	Fisher et al.
D423,518 S	4/2000	Milligan et al.
D445,115 S	7/2001	Hutchinson et al.
D449,311 S	10/2001	Graber et al.
D450,061 S	11/2001	Graber et al.
6,406,270 B1	6/2002	Kopel
6,468,048 B1	10/2002	Burkholder et al.

* cited by examiner

Primary Examiner—Ralf Seifert

(74) *Attorney, Agent, or Firm*—Bruce S. Shapiro; Michael P. Leary; Charles E. Yocum

(57) **CLAIM**

The ornamental design for an air compressor, as shown and described.

DESCRIPTION

FIG. 1 is a right front perspective view of an air compressor showing a first embodiment of my new design.

FIG. 2 is a right side view thereof.

FIG. 3 is a left side view thereof.

FIG. 4 is a rear view thereof.

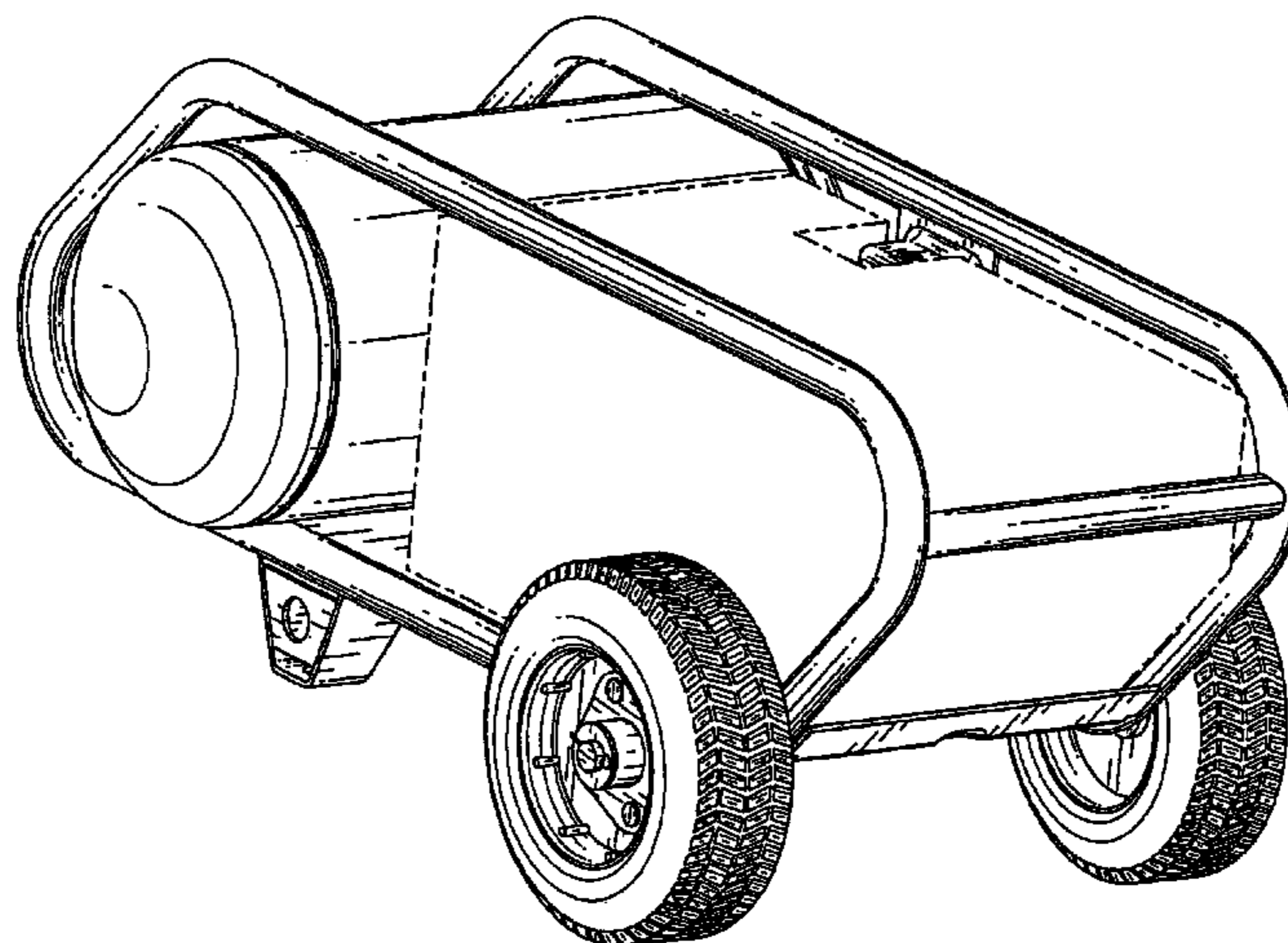
FIG. 5 is a front view thereof.

FIG. 6 is a top view thereof; and,

FIG. 7 is a bottom view thereof.

The dashed lines and the areas within the dashed lines form no part of the claimed ornamental design.

1 Claim, 7 Drawing Sheets



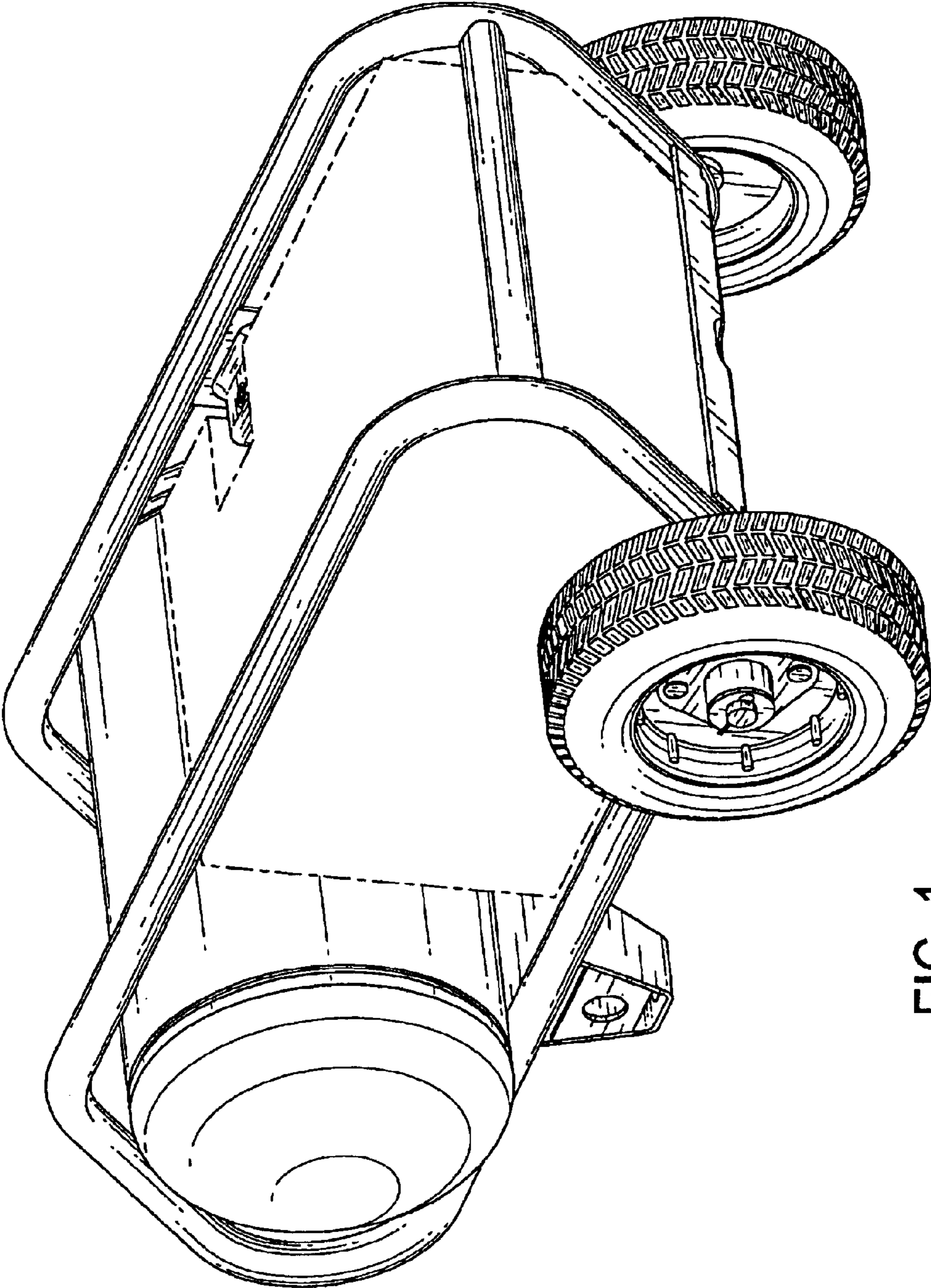


FIG. 1

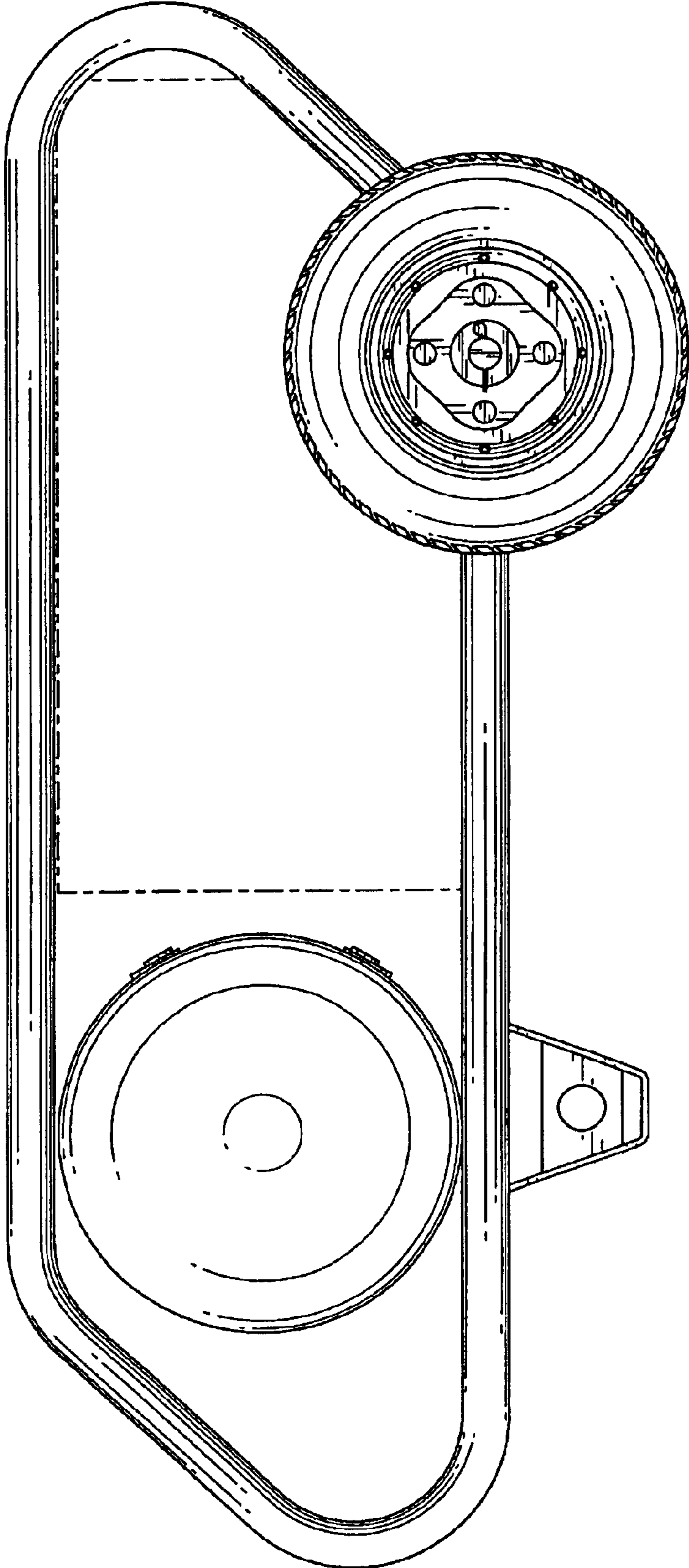


FIG. 2

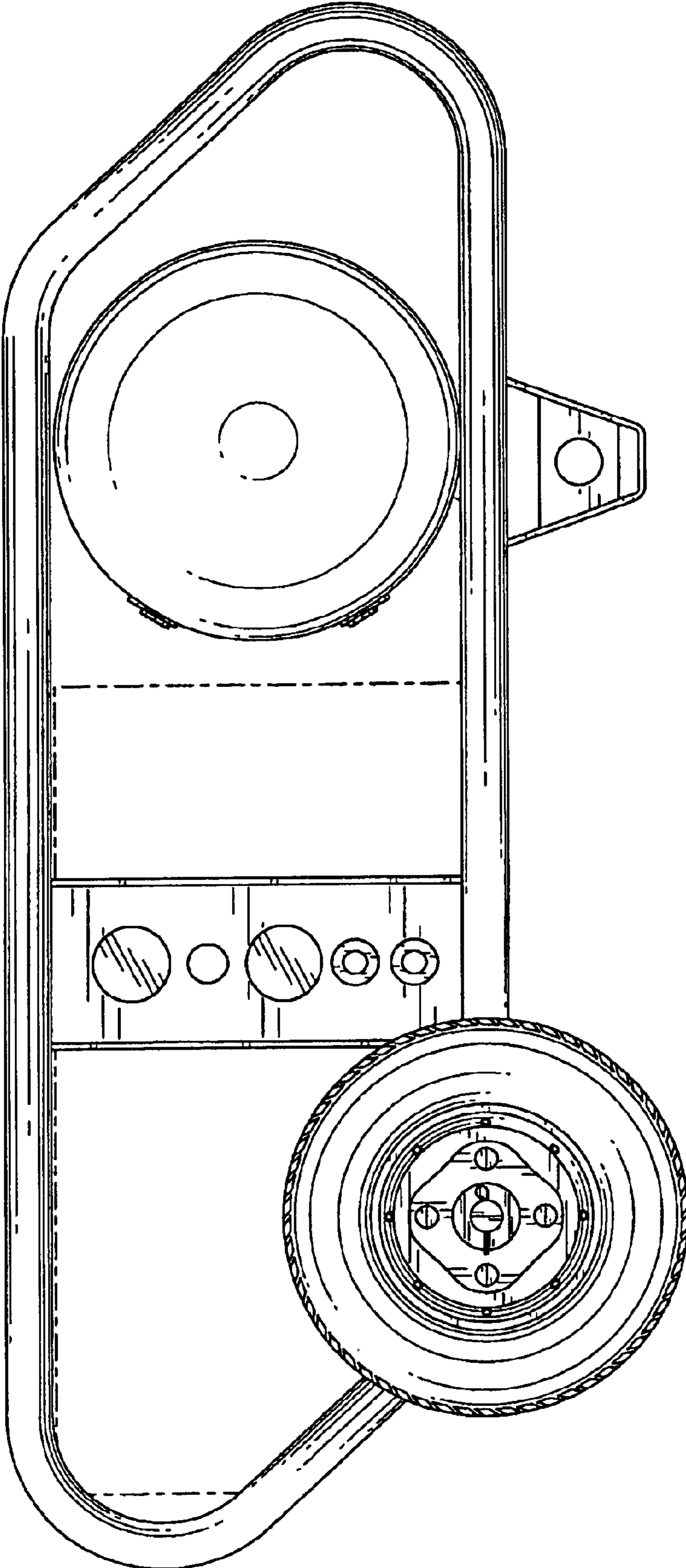


FIG. 3

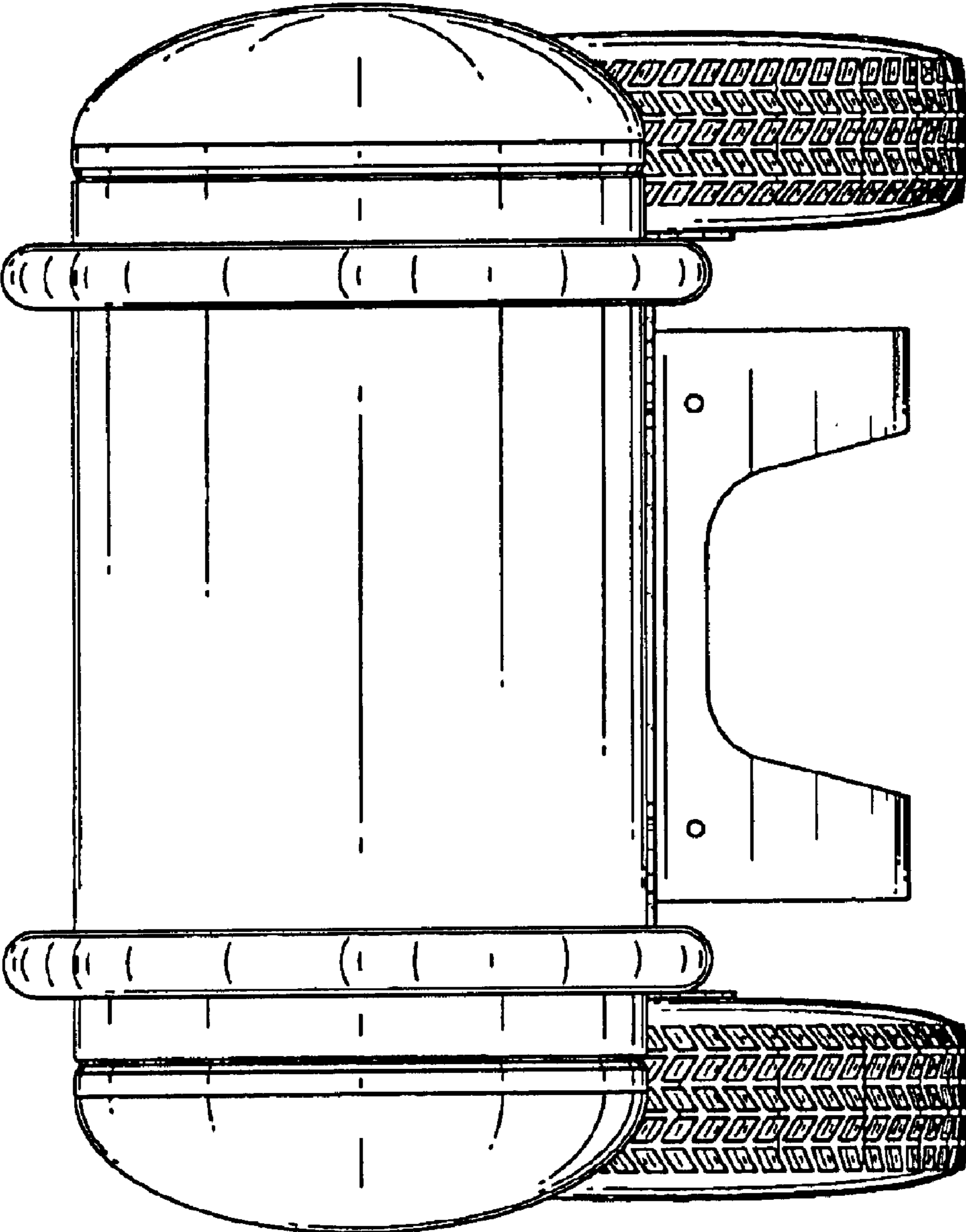


FIG. 4

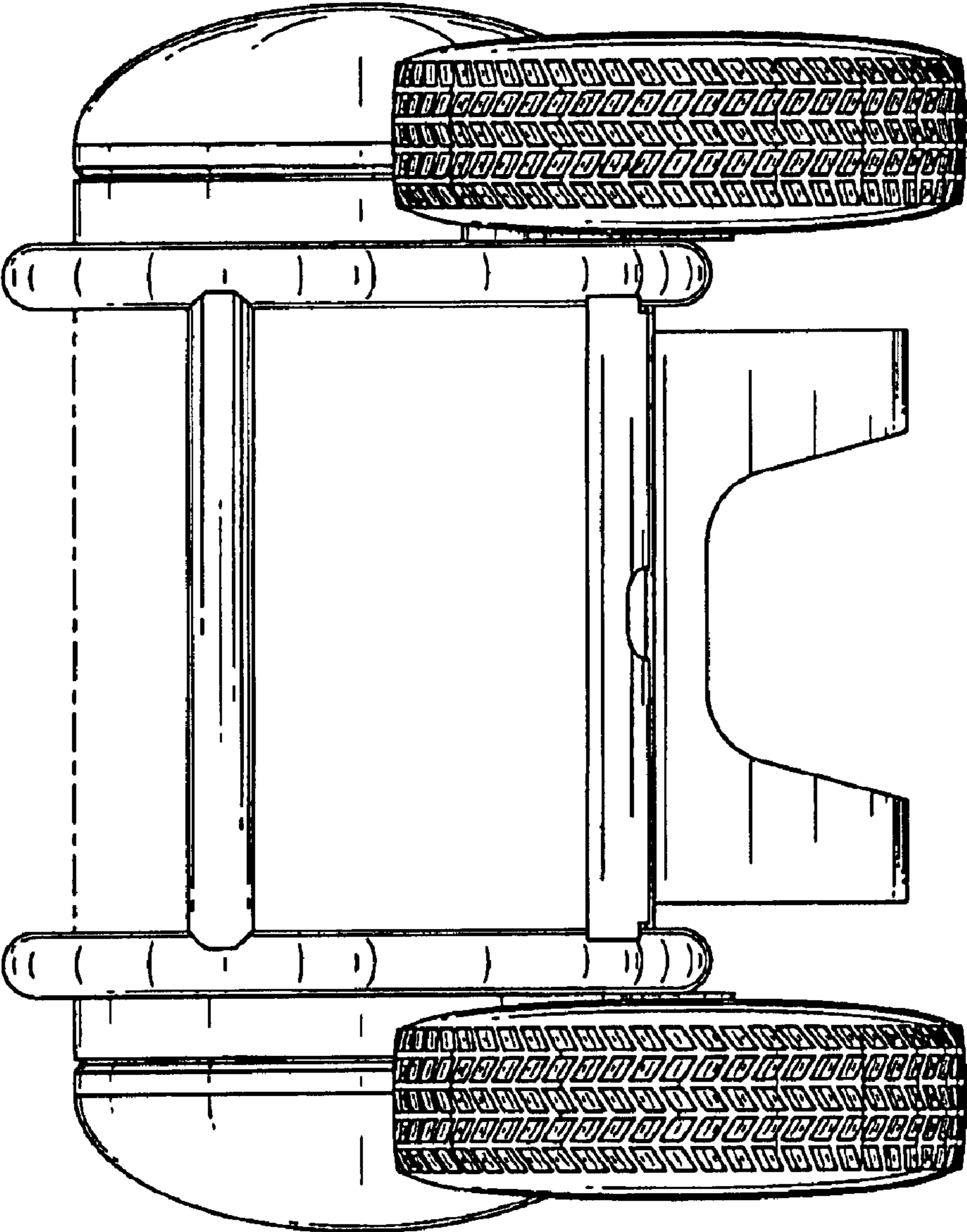


FIG. 5

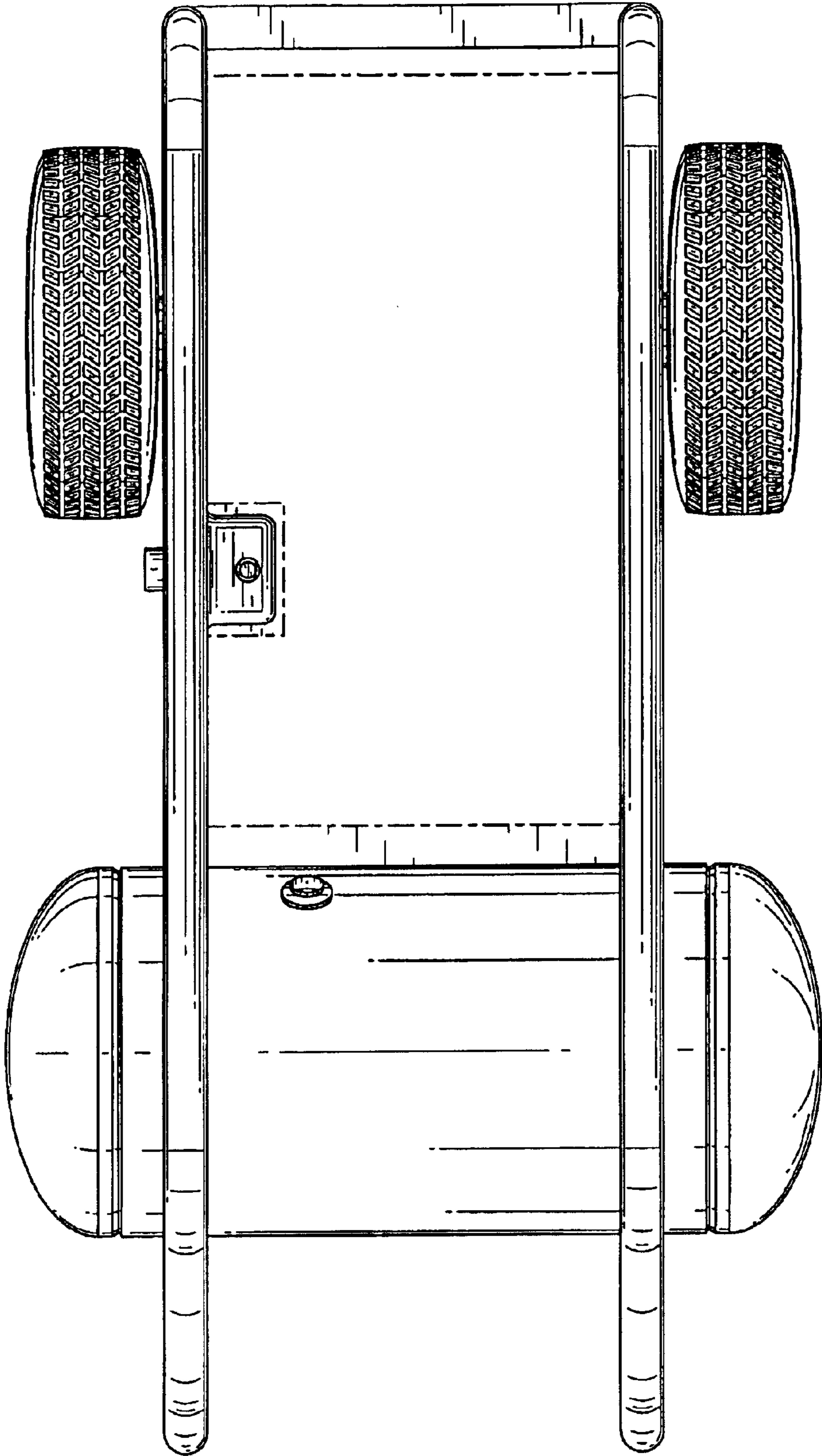


FIG. 6

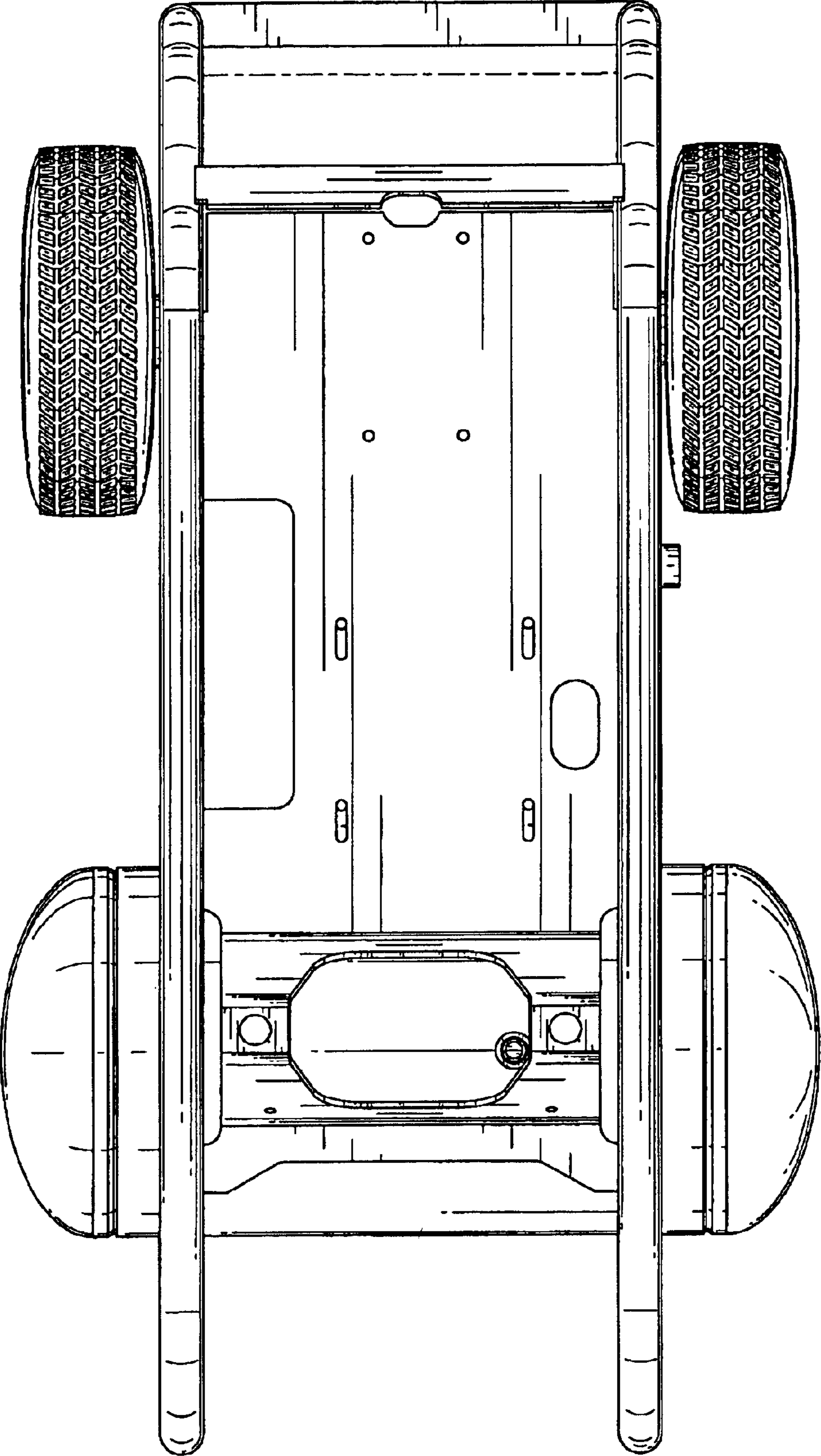


FIG. 7