

US00D499119S

(12) **United States Design Patent** (10) **Patent No.:** **US D499,119 S**  
**Thomas, Jr. et al.** (45) **Date of Patent:** **\*\* Nov. 30, 2004**

(54) **COMPRESSOR**

(75) Inventors: **Delbert L. Thomas, Jr.**, Watervliet, MI (US); **William S. Otte**, Stevensville, MI (US); **Lorraine Joan Westlake**, Eau Claire, MI (US)

(73) Assignee: **Gast Manufacturing Corporation**, Benton Harbor, MI (US)

(\*\*) Term: **14 Years**

(21) Appl. No.: **29/193,219**

(22) Filed: **Nov. 5, 2003**

(51) **LOC (7) Cl.** ..... **15-02**

(52) **U.S. Cl.** ..... **D15/9**

(58) **Field of Search** ..... D15/7-9; 417/321, 417/410, 413.1, 415, 423.3, 486, 521, 534; 415/148

(56) **References Cited**

**U.S. PATENT DOCUMENTS**

498,989 A	6/1893	Perry
1,029,726 A	6/1912	Sprado
1,636,001 A	7/1927	Kasley
1,661,148 A	2/1928	Winkler
1,672,436 A	6/1928	Thege
1,896,098 A	2/1933	Poyer
1,896,404 A	2/1933	Hale
1,951,558 A	3/1934	Nystrom
2,084,665 A	6/1937	Alkman
2,127,825 A	8/1938	Mader
2,134,077 A	10/1938	Ehret
2,673,130 A	3/1954	Becker
2,765,779 A	10/1956	Graves
2,766,695 A	10/1956	Gailloud

(List continued on next page.)

**FOREIGN PATENT DOCUMENTS**

DE	110233	9/1896
DE	581380	7/1933
DE	844998	8/1960

FR	2 323 035	11/1975
GB	406000	2/1934
IT	313250	12/1933

**OTHER PUBLICATIONS**

Vacuum and Pressure Systems Handbook, Revised Edition, Copyright 1986 by Gast Manufacturing Corporation, pp. 22 and 23.

Advertising literature: New Gast ROC-R Compressor.

Advertising literature: Gast Air Compressor, vol. F-10, dated May, 1992, p. 41.

Advertising literature: Healy Systems, Inc., The New VP 500 Central Vacuum Vane Pump, Nov. 16, 1993.

Untitled drawing of pump, Models 607CB22 and 607CD22. Thomas Industries, Inc. 2619/2621 Series Compressors and Vacuum Pumps, pamphlet published Jul. 1994.

Thomas Compressors and Vacuum Pumps, 2750 Series, pamphlet, published Jul. 1995.

Thomas Industries, Inc. Compressors and Vacuum Pumps, Series 2600, pamphlet, published Jun. 1994.

Thomas Industries, Inc. Compressors and Vacuum Pumps, 2807 Series, pamphlet, published Jun. 1994.

*Primary Examiner*—Ralf Seifert

(74) *Attorney, Agent, or Firm*—Barnes & Thornburg LLP

(57) **CLAIM**

The ornamental design for a compressor, as shown and described.

**DESCRIPTION**

FIG. 1 shows a perspective view of a compressor which incorporates the design of the present invention.

FIG. 2 shows a top view of the compressor of FIG. 1.

FIG. 3 shows a bottom view of the compressor of FIG. 1.

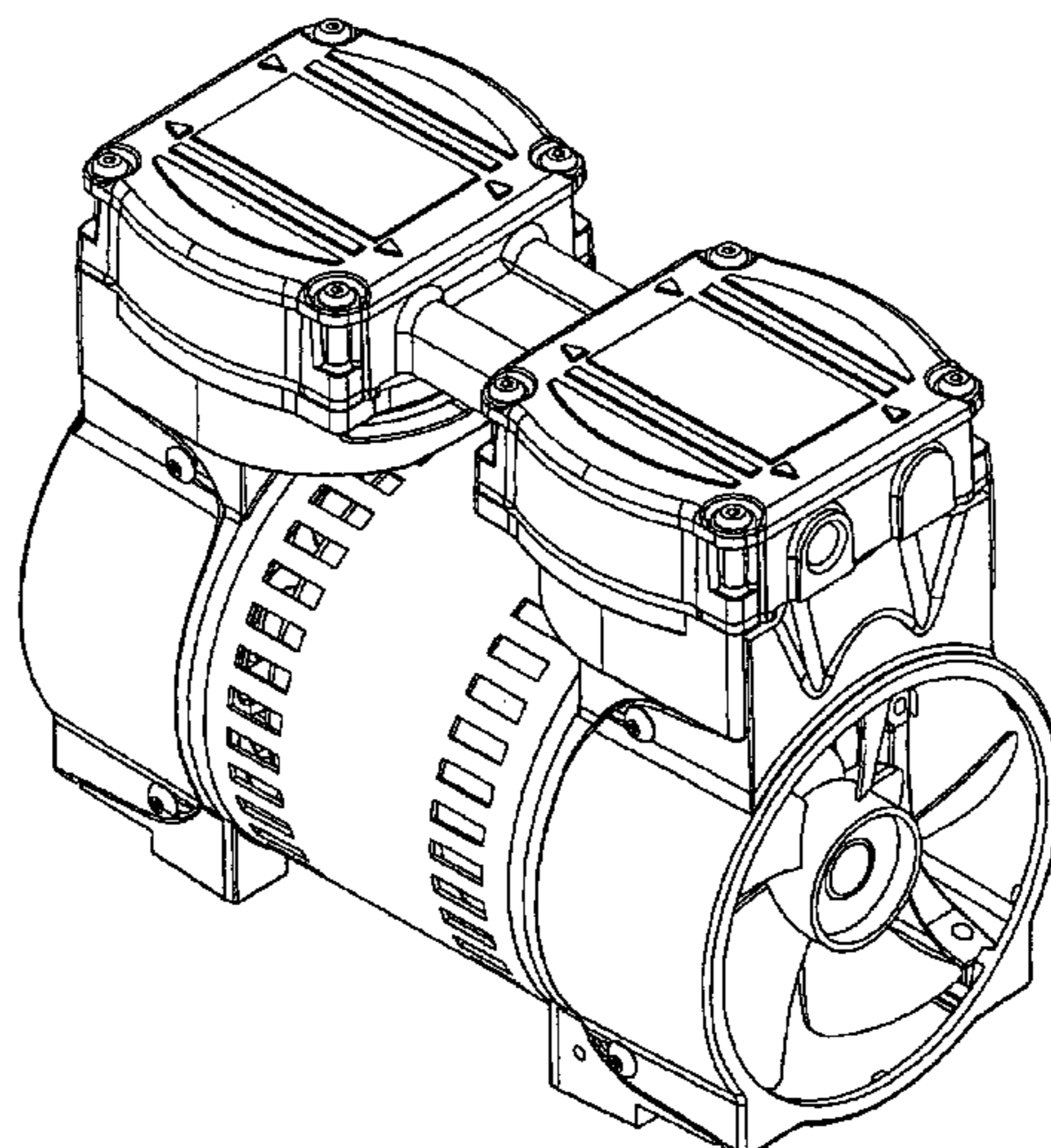
FIG. 4 shows a back or rear view of the compressor of FIG. 1.

FIG. 5 shows a front view of the compressor of FIG. 1.

FIG. 6 shows a right side view of the compressor of FIG. 1; and,

FIG. 7 shows a left side view of the compressor of FIG. 1.

**1 Claim, 7 Drawing Sheets**



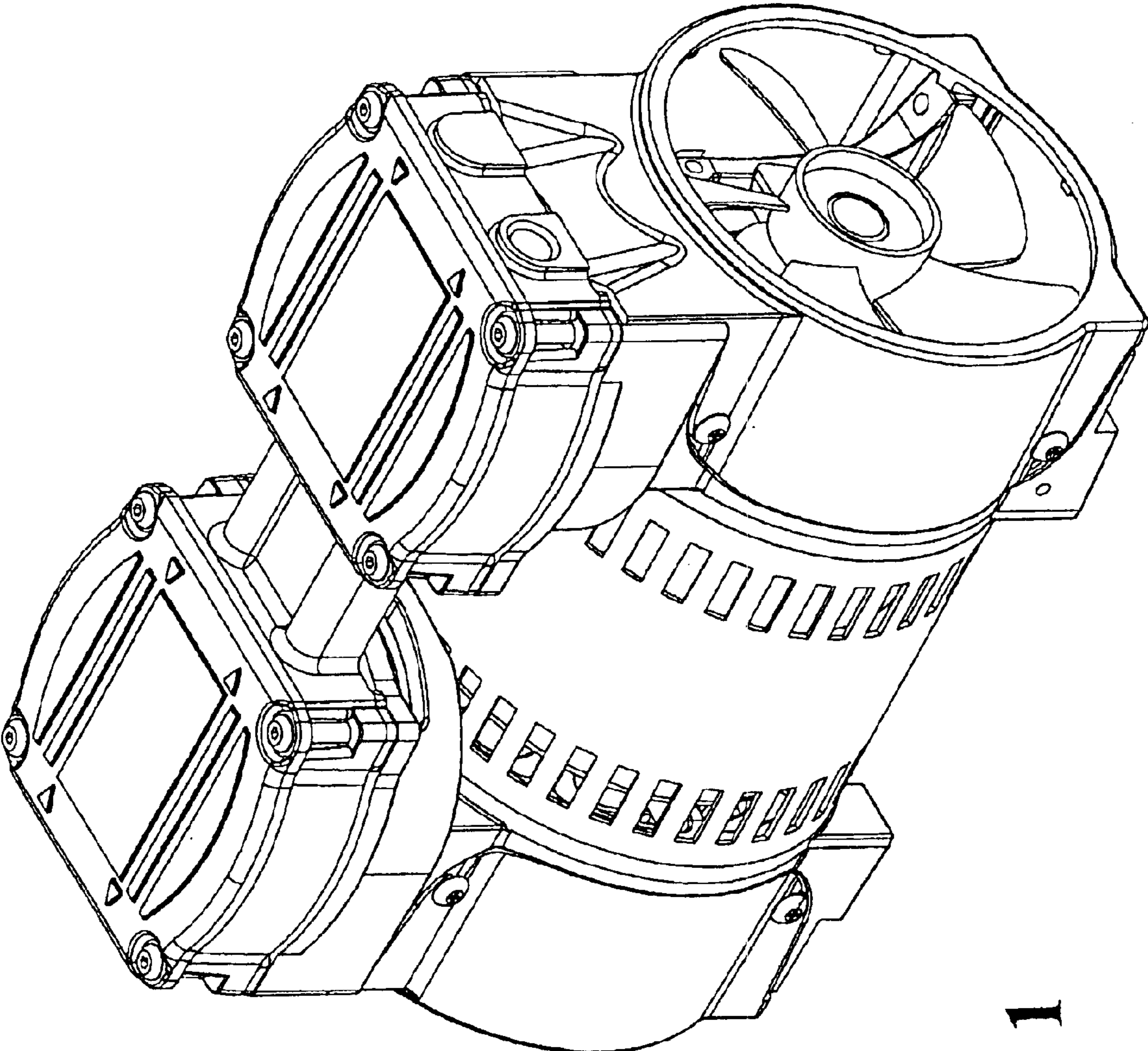
# US D499,119 S

## U.S. PATENT DOCUMENTS

2,851,020 A	9/1958	Dolza	4,749,340 A	6/1988	Ikeda et al.
2,879,913 A	3/1959	McCombie	4,781,540 A	11/1988	Ikeda et al.
2,970,608 A	2/1961	Doeg	4,782,738 A	11/1988	Jackson et al.
2,976,813 A	3/1961	Redman	4,790,727 A	12/1988	Steele
2,985,358 A	5/1961	Lee et al.	4,810,174 A	3/1989	Stuckey et al.
3,049,284 A	8/1962	Alamprese	4,842,498 A	6/1989	Bramstedt et al.
3,082,935 A	3/1963	Arak	4,867,650 A	9/1989	Ikeda et al.
3,139,009 A	6/1964	Härling	4,911,614 A	3/1990	Kawai et al.
3,160,229 A	12/1964	Terasawa	4,976,284 A	12/1990	Hovarter
3,209,659 A	10/1965	Colwell	4,995,795 A	2/1991	Hetzel et al.
3,277,837 A	10/1966	Pangburn	5,064,359 A	11/1991	Plummer
3,315,651 A	4/1967	Dangauthier	5,096,395 A	3/1992	Todescat et al.
3,375,972 A	4/1968	Raufeisen	5,145,335 A	9/1992	Abelen et al.
3,386,424 A	6/1968	Appeman	5,147,190 A	9/1992	Hovarter
3,432,177 A	3/1969	Colwell	5,156,532 A	10/1992	Arndt et al.
3,468,260 A	9/1969	Belden	5,213,125 A	5/1993	Leu
3,472,446 A	10/1969	Linnert	5,226,803 A	7/1993	Martin
3,521,607 A	7/1970	Wiseman et al.	5,231,917 A	8/1993	Wood
3,526,469 A	9/1970	Lipe et al.	5,288,212 A	2/1994	Lee
3,568,573 A	3/1971	Bailey et al.	5,328,338 A	7/1994	Hirano et al.
3,612,726 A	10/1971	Yowell	5,370,156 A	12/1994	Peracchio et al.
3,628,427 A	12/1971	Bailey	5,379,799 A	1/1995	Kawai et al.
3,718,410 A	2/1973	Berger et al.	5,390,633 A	2/1995	Taue
3,841,796 A	10/1974	Schlanzky	5,396,930 A	3/1995	Ebbing et al.
3,882,842 A	5/1975	Bailey et al.	5,421,368 A	6/1995	Maalouf et al.
3,927,956 A	12/1975	Linthicum	5,454,397 A	10/1995	Miszczak
3,961,868 A	6/1976	Droege, Sr. et al.	5,456,287 A	10/1995	Leu
3,961,869 A	6/1976	Droege, Sr. et al.	5,586,874 A	12/1996	Hashimoto et al.
3,981,631 A	9/1976	Kemp	D377,967 S *	2/1997	Rozek et al. .... D23/235
3,998,571 A	12/1976	Falke	5,601,118 A	2/1997	Jang
D245,779 S	9/1977	Nobata	5,603,611 A	2/1997	Tarutani et al.
4,088,428 A	5/1978	Bannister et al.	5,632,607 A	5/1997	Popescu et al.
D250,113 S	10/1978	Nobata	5,632,609 A	5/1997	Hashimoto
4,123,201 A	10/1978	Andriulis	D379,996 S	6/1997	Leu et al.
4,275,999 A	6/1981	Hetzel et al.	5,647,395 A	7/1997	Hashimoto et al.
4,311,440 A	1/1982	Eberhardt	D382,883 S *	8/1997	Breitzman et al. .... D15/9
4,406,590 A	9/1983	Kessler	5,655,898 A	8/1997	Hashimoto et al.
4,433,966 A	2/1984	Krumm	5,895,208 A	4/1999	Riedlinger et al.
4,434,448 A	2/1984	Bell et al.	D412,174 S *	7/1999	Faulkner et al. .... D15/9
4,477,231 A	10/1984	Swift	6,056,521 A	5/2000	Leu et al.
4,480,368 A	11/1984	Vachon	6,126,410 A	10/2000	Kung et al.
4,559,686 A	12/1985	Kessler	6,431,845 B1	8/2002	Thomas et al.
4,594,760 A	6/1986	Dillard	D478,094 S *	8/2003	Scarth et al. .... D15/9
4,642,037 A	2/1987	Fritchman	D485,282 S *	1/2004	Scarth et al. .... D15/9
4,718,827 A	1/1988	Sutton et al.	D488,820 S *	4/2004	Rozek .... D15/7

\* cited by examiner





**FIG. 1**

FIG. 2

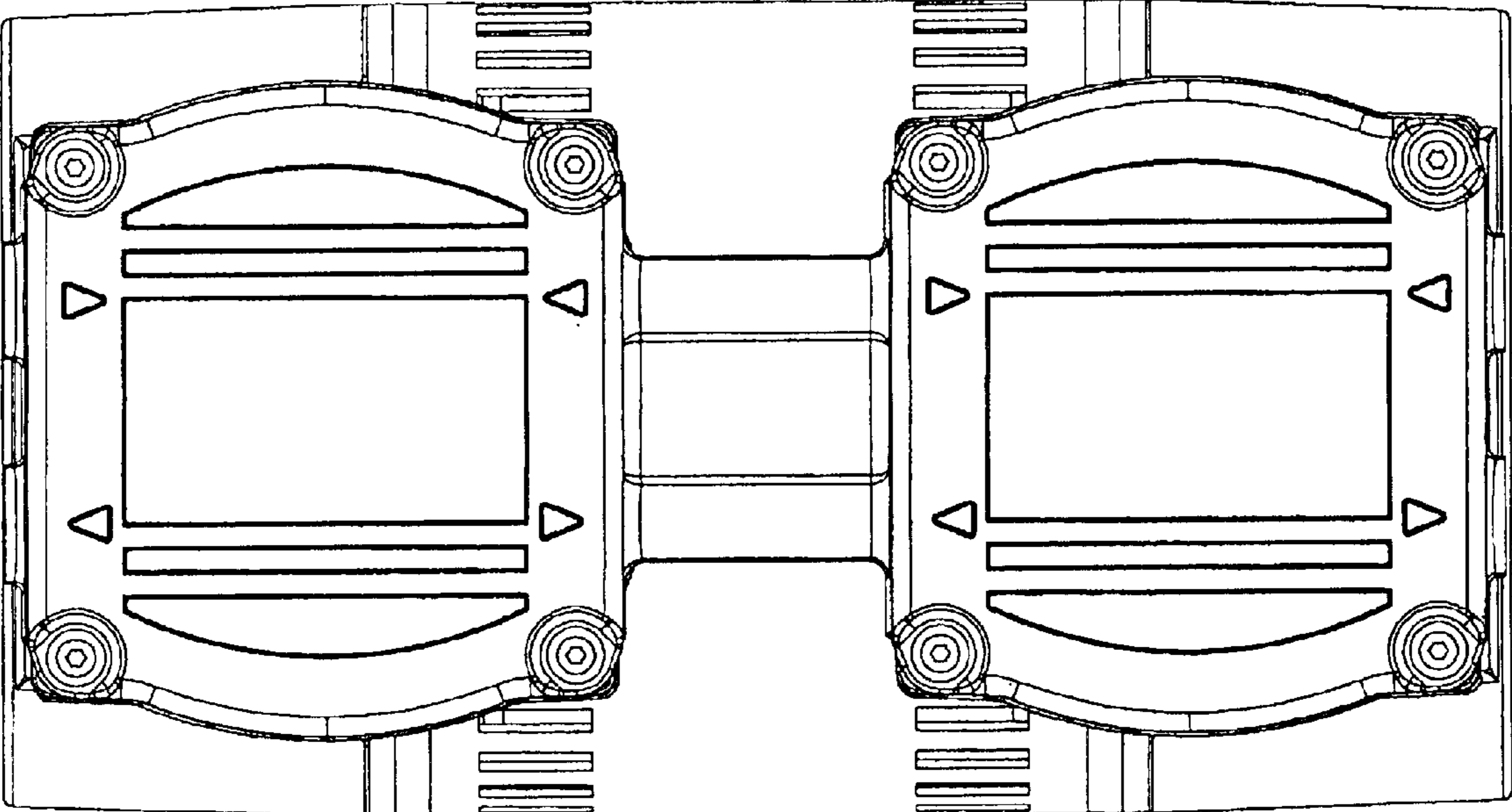
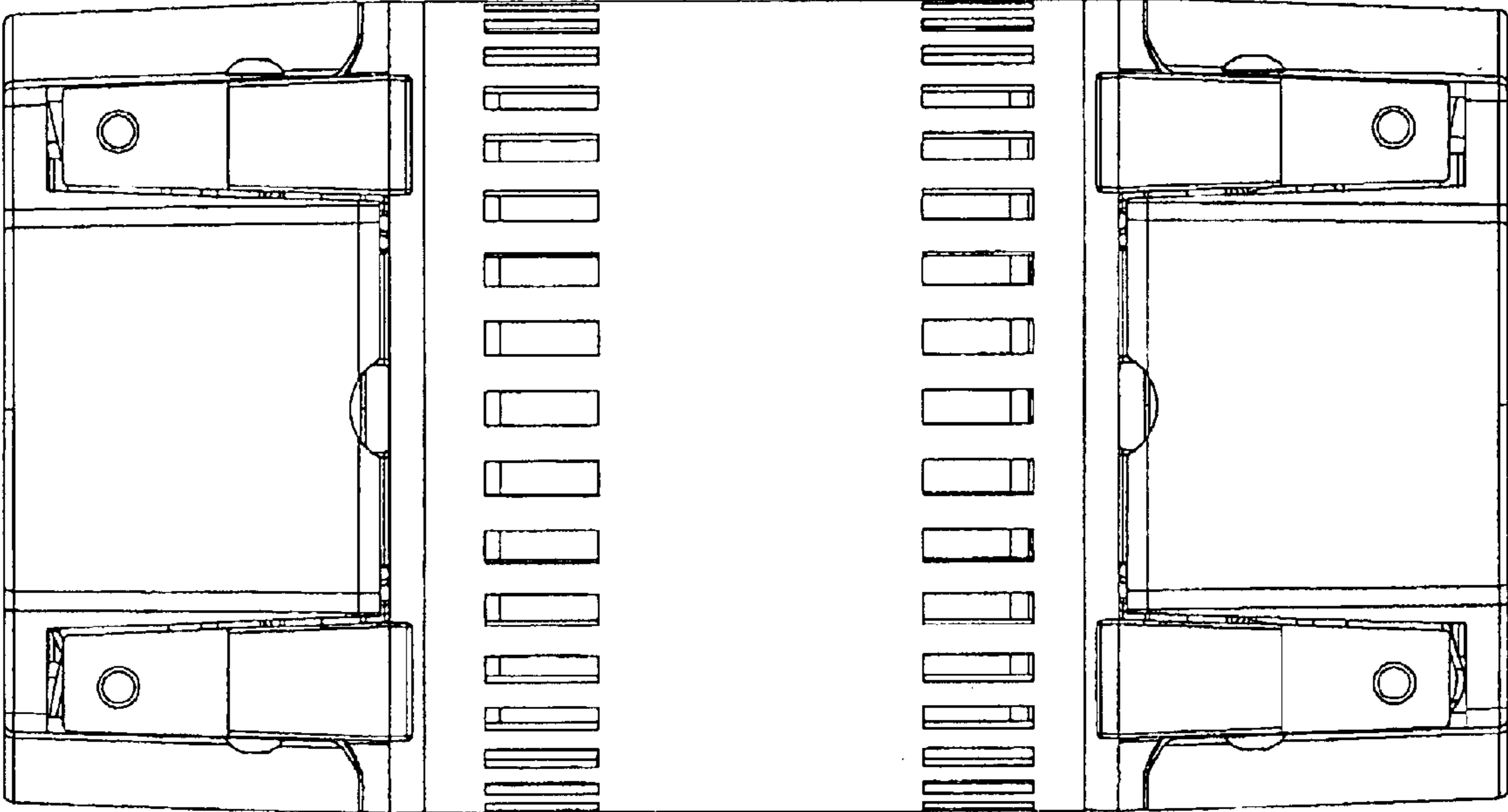
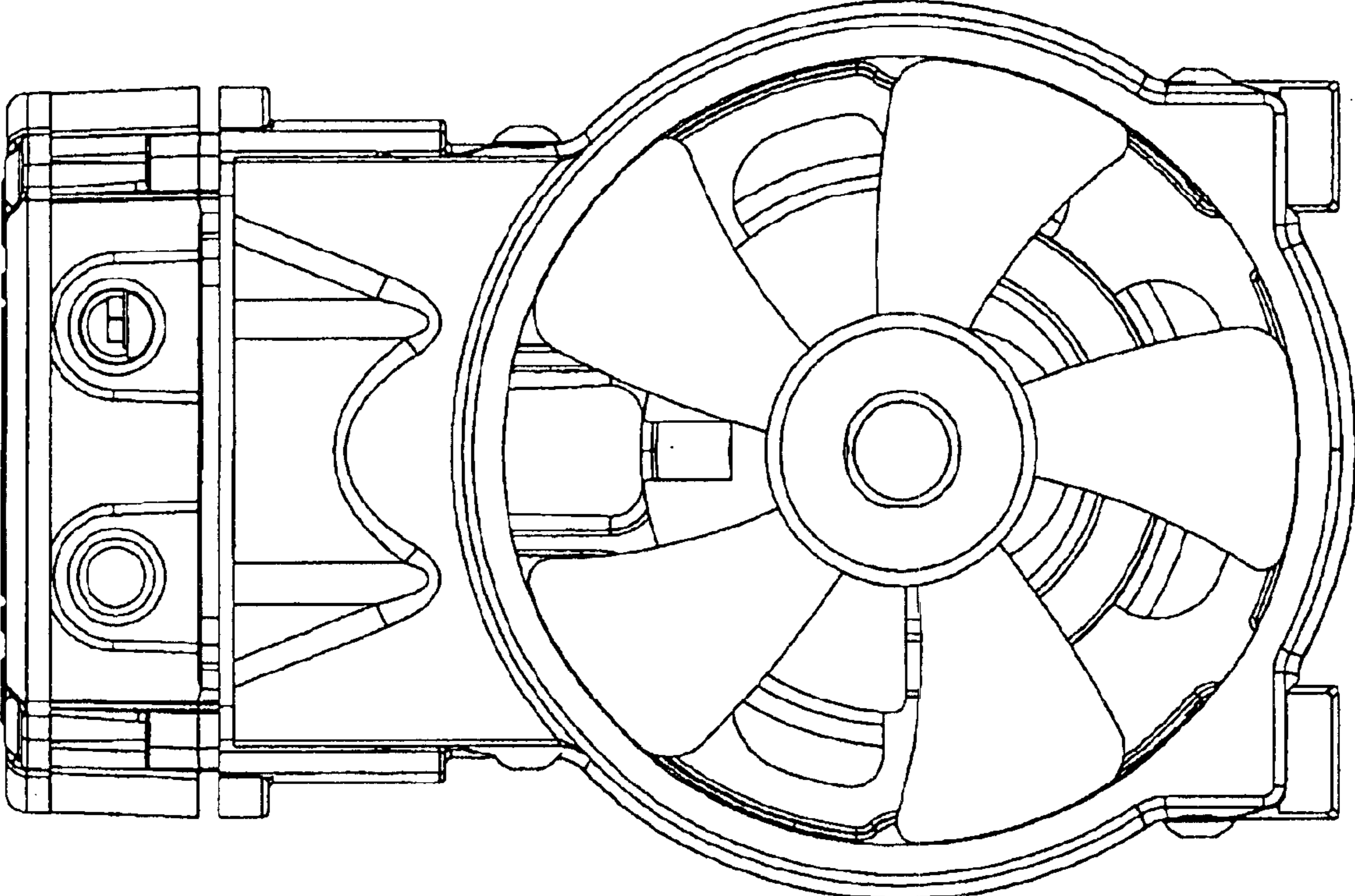
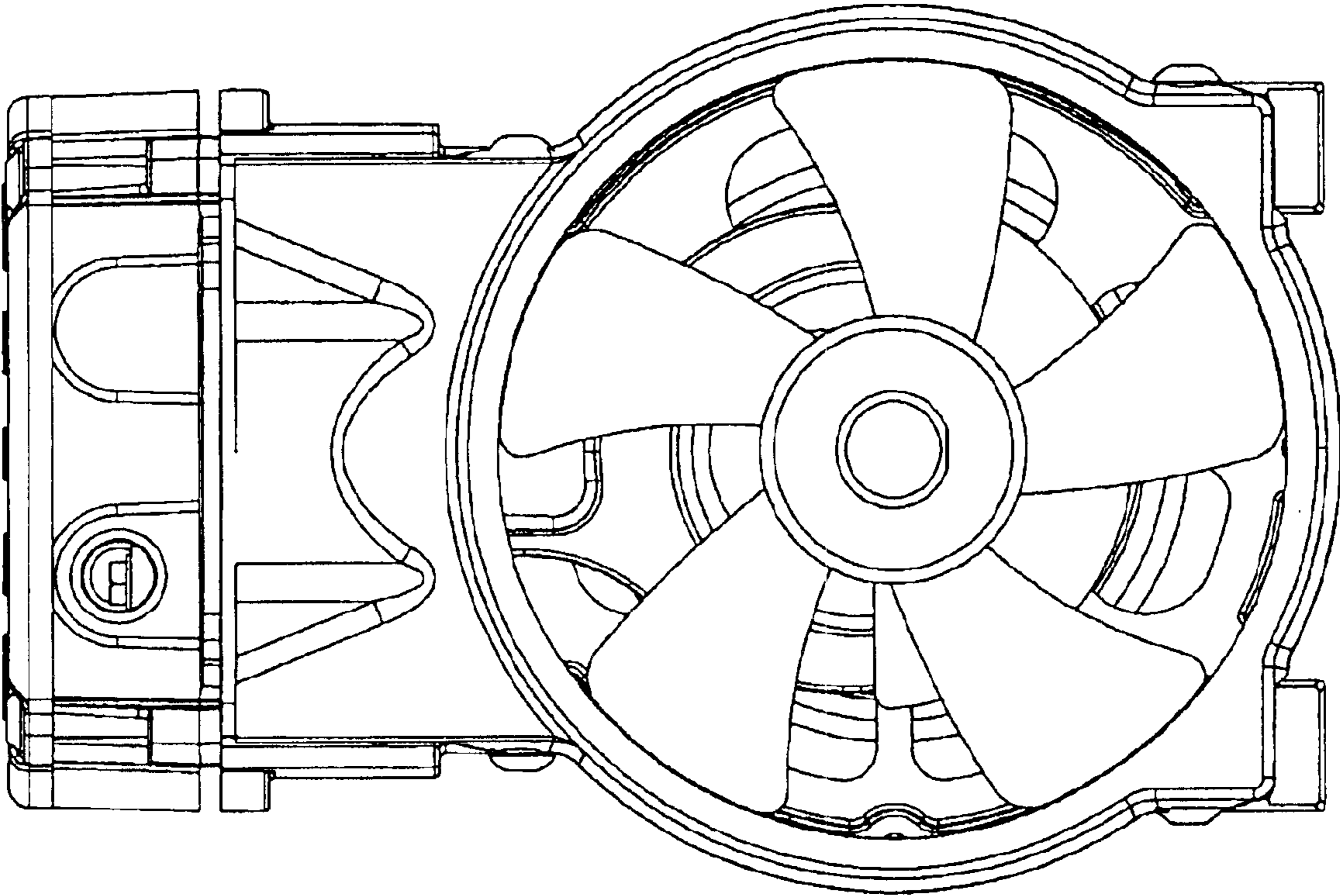


FIG. 3



**FIG. 4**





**FIG. 5**



FIG. 6

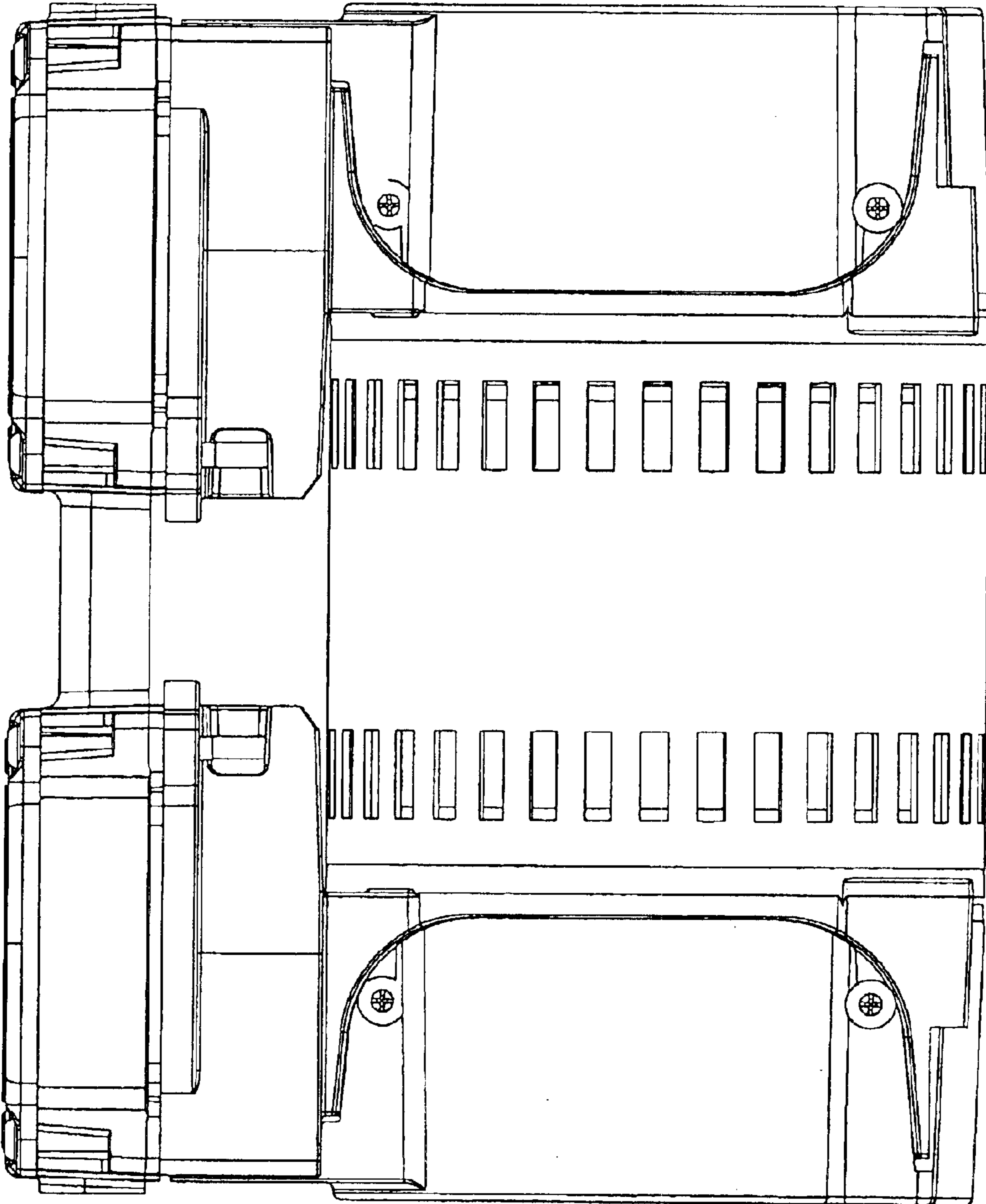




FIG. 7

