

US00D499116S

(12) **United States Design Patent**
Iwata

(10) **Patent No.:** **US D499,116 S**

(45) **Date of Patent:** **** Nov. 30, 2004**

(54) **DIAPHRAGM PUMP**

D365,569 S * 12/1995 Kieffer D15/7
D382,277 S * 8/1997 Feitel et al. D15/7

(75) Inventor: **Tomoyuki Iwata**, Ibaraki (JP)

* cited by examiner

(73) Assignee: **SMC Corporation**, Tokyo (JP)

Primary Examiner—Ralf Seifert

(**) Term: **14 Years**

(74) *Attorney, Agent, or Firm*—Yokoi & Co. U.S.A.;
Hisako Muramatsu, Esq.

(21) Appl. No.: **29/198,947**

(57) **CLAIM**

(22) Filed: **Feb. 6, 2004**

The ornamental design for a diaphragm pump, as shown and described.

(30) **Foreign Application Priority Data**

Aug. 7, 2003 (JP) 2003-023019

DESCRIPTION

(51) **LOC (7) Cl.** **15-02**

FIG. 1 shows a front view of a diaphragm pump showing my new design;

(52) **U.S. Cl.** **D15/7**

FIG. 2 shows a top view thereof;

(58) **Field of Search** D15/7-9; 417/321,
417/410, 413.1, 415, 423.3, 486, 521, 534;
415/148

FIG. 3 shows a bottom view thereof;

FIG. 4 shows a right side view thereof

FIG. 5 shows a left side view thereof;

FIG. 6 shows an inside view thereof taken along line 6—6 on FIG. 2; and,

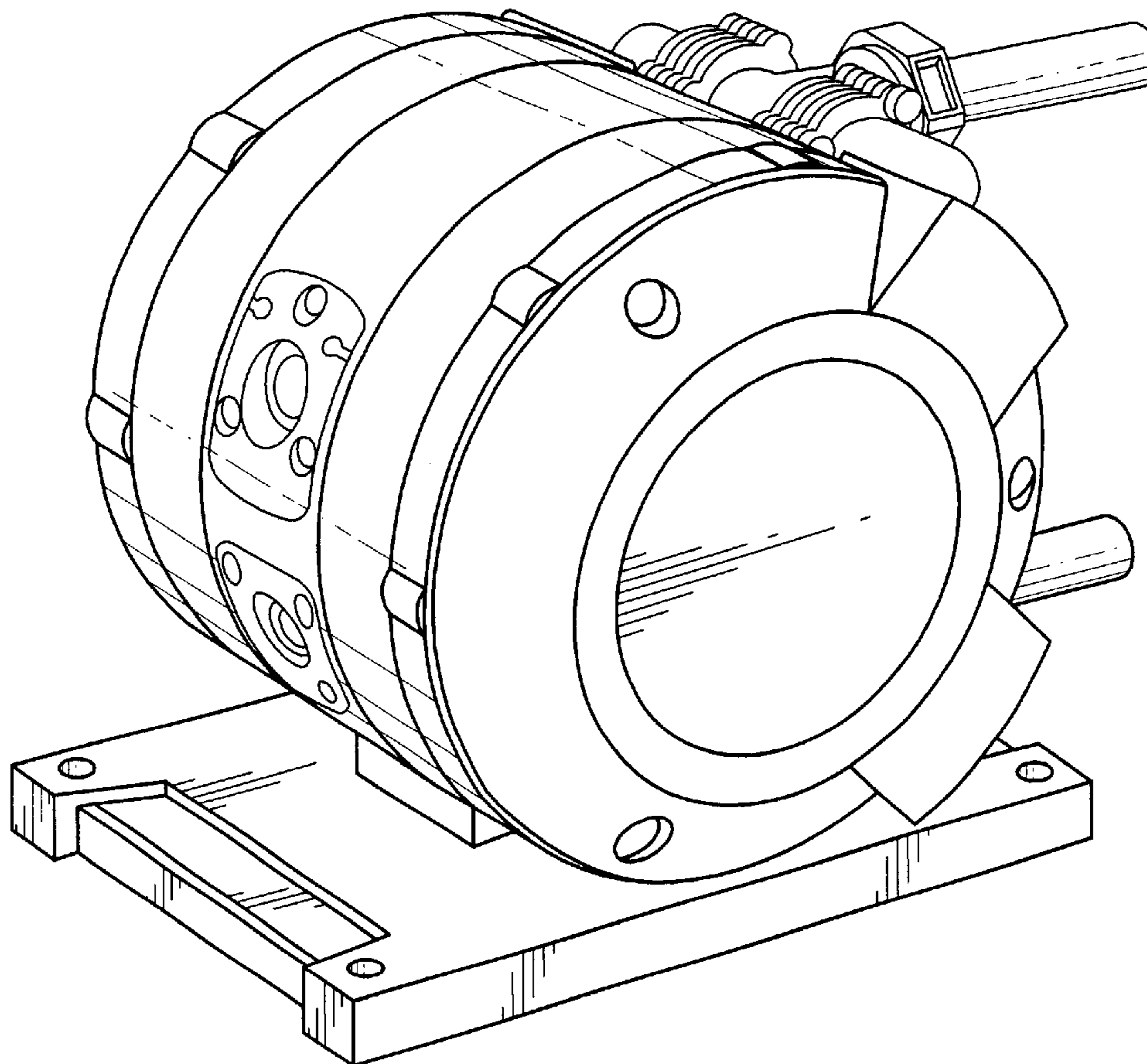
FIG. 7 shows a perspective view thereof.

(56) **References Cited**

U.S. PATENT DOCUMENTS

D275,858 S * 10/1984 Wilden D15/7
D331,412 S * 12/1992 Wilden D15/7

1 Claim, 4 Drawing Sheets



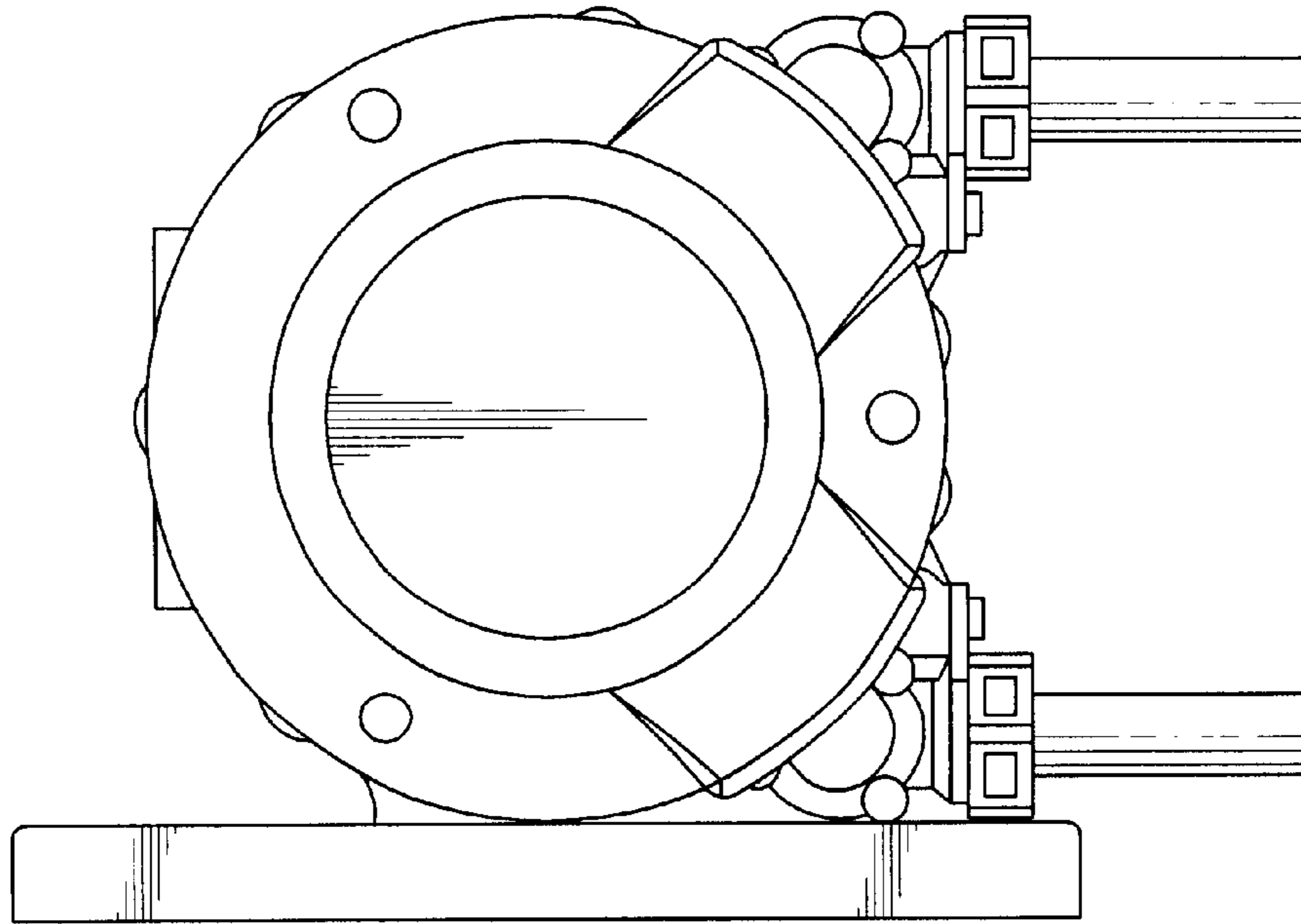


FIG. 1

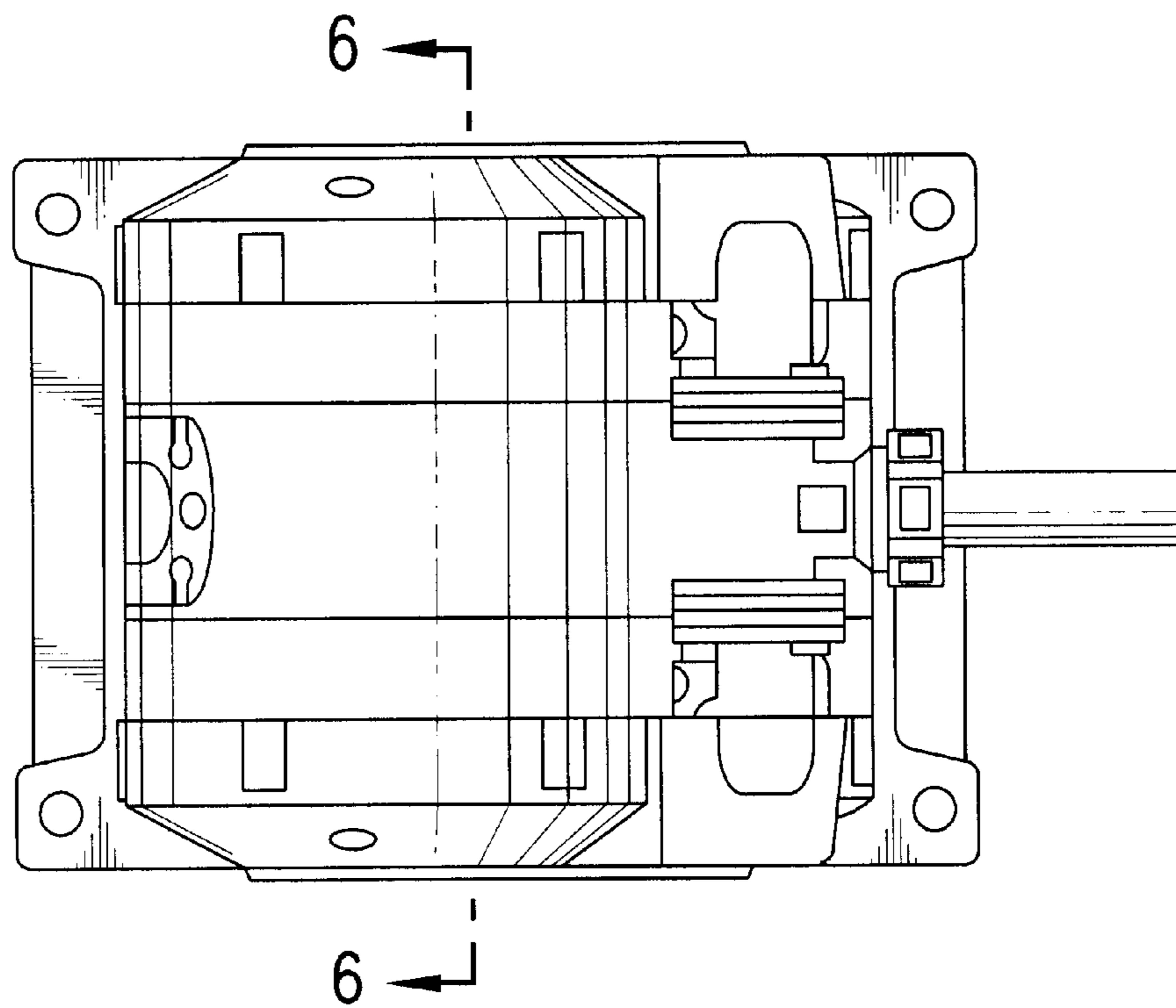


FIG. 2

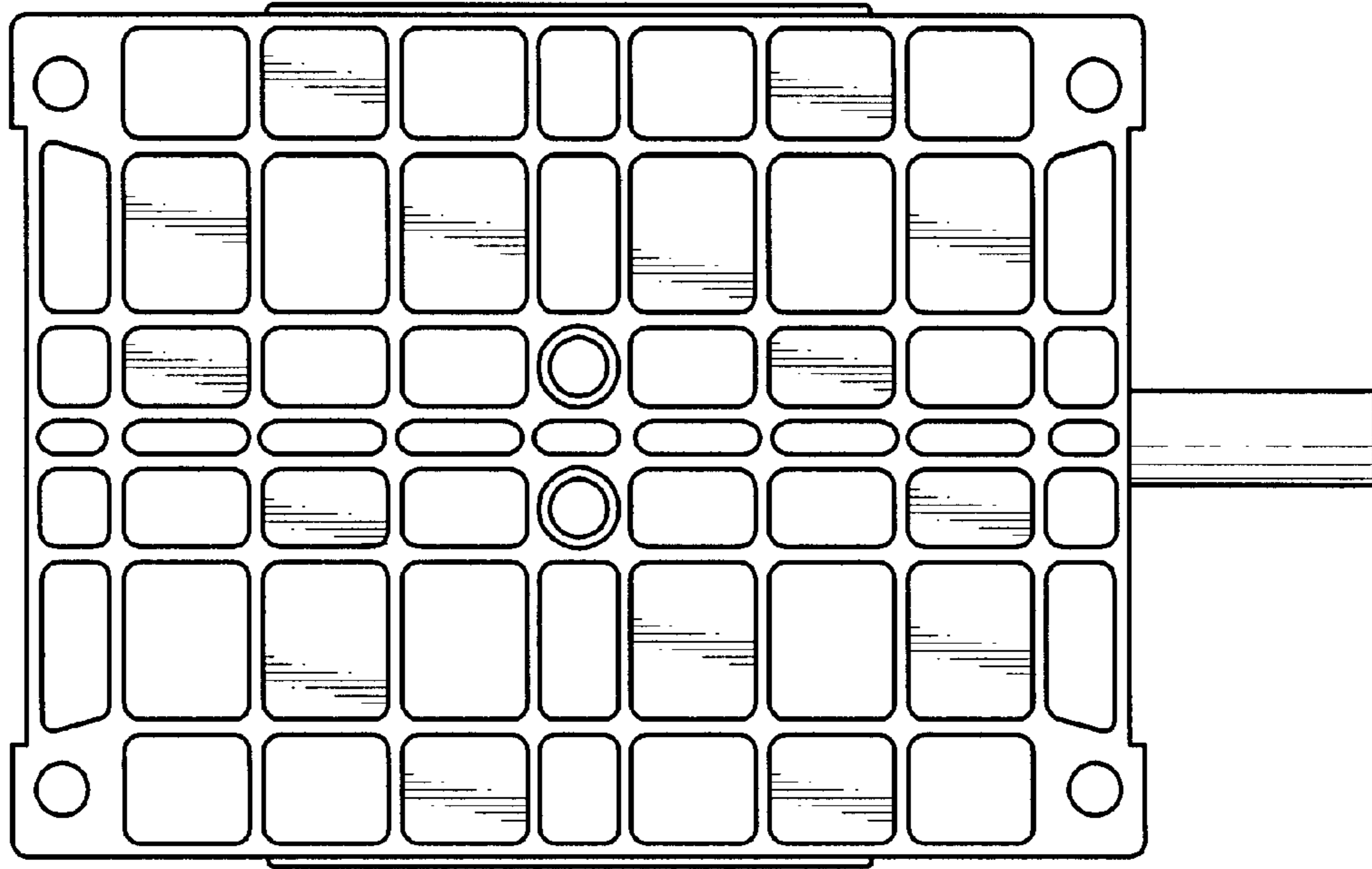


FIG. 3

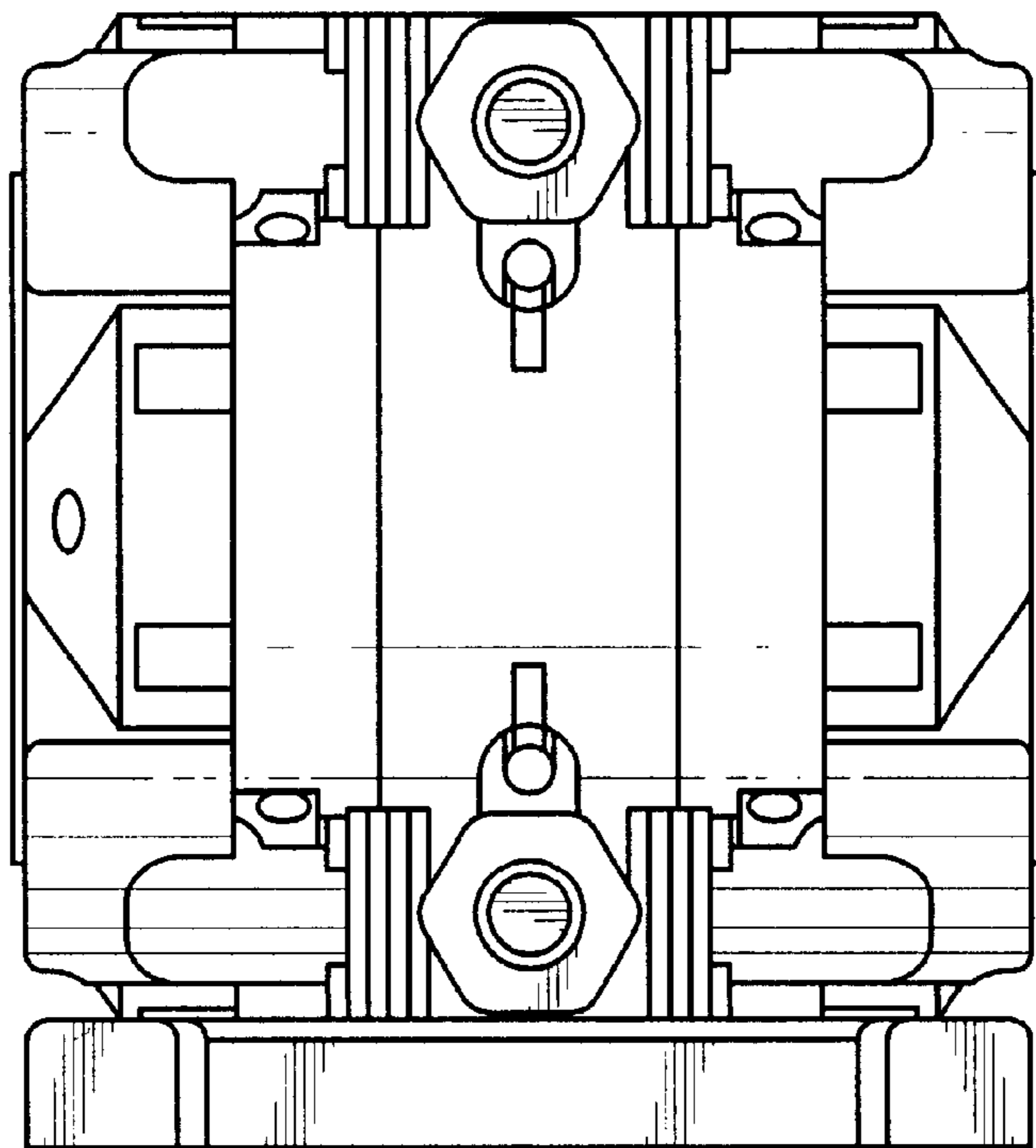


FIG. 4

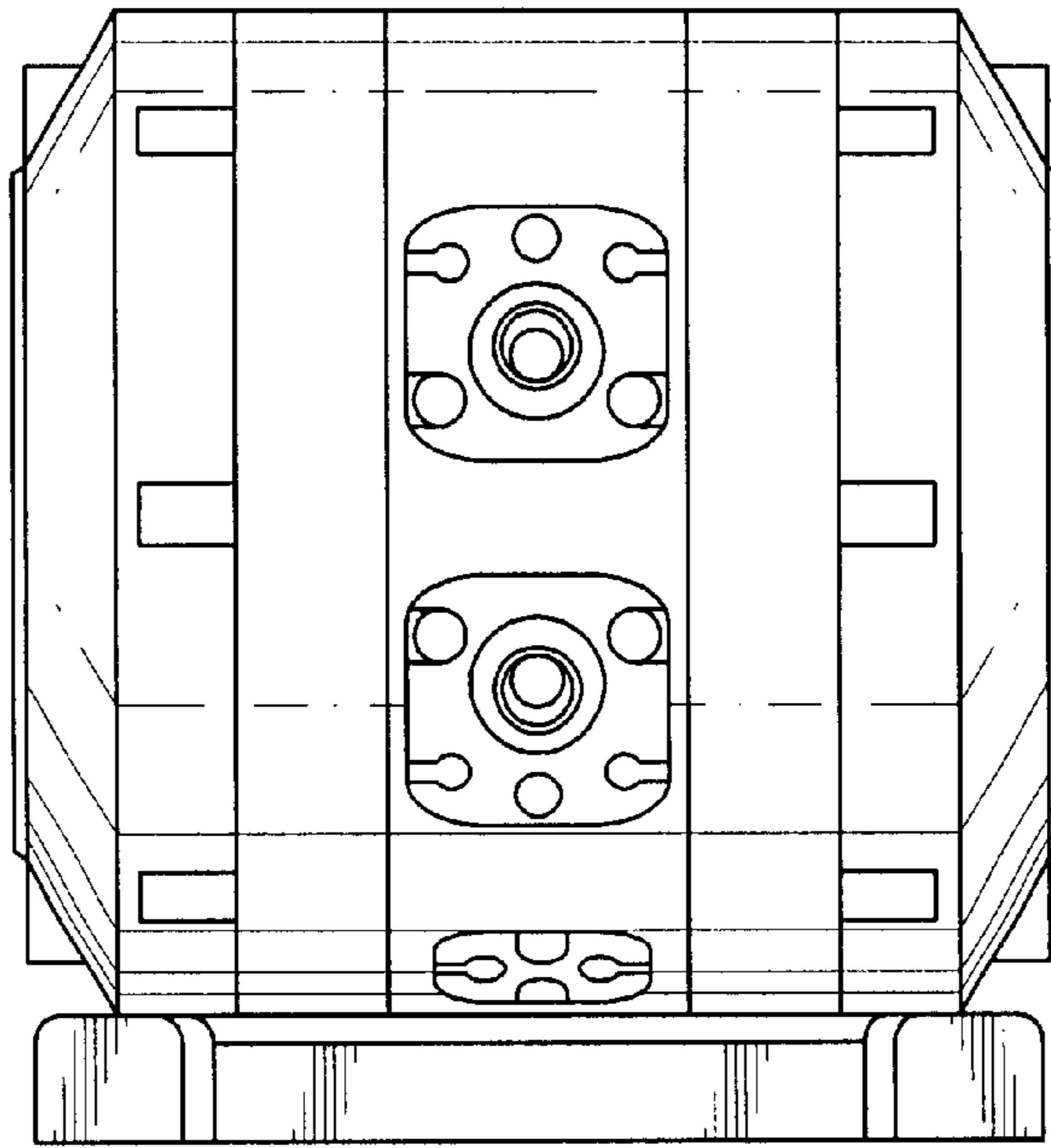


FIG. 5

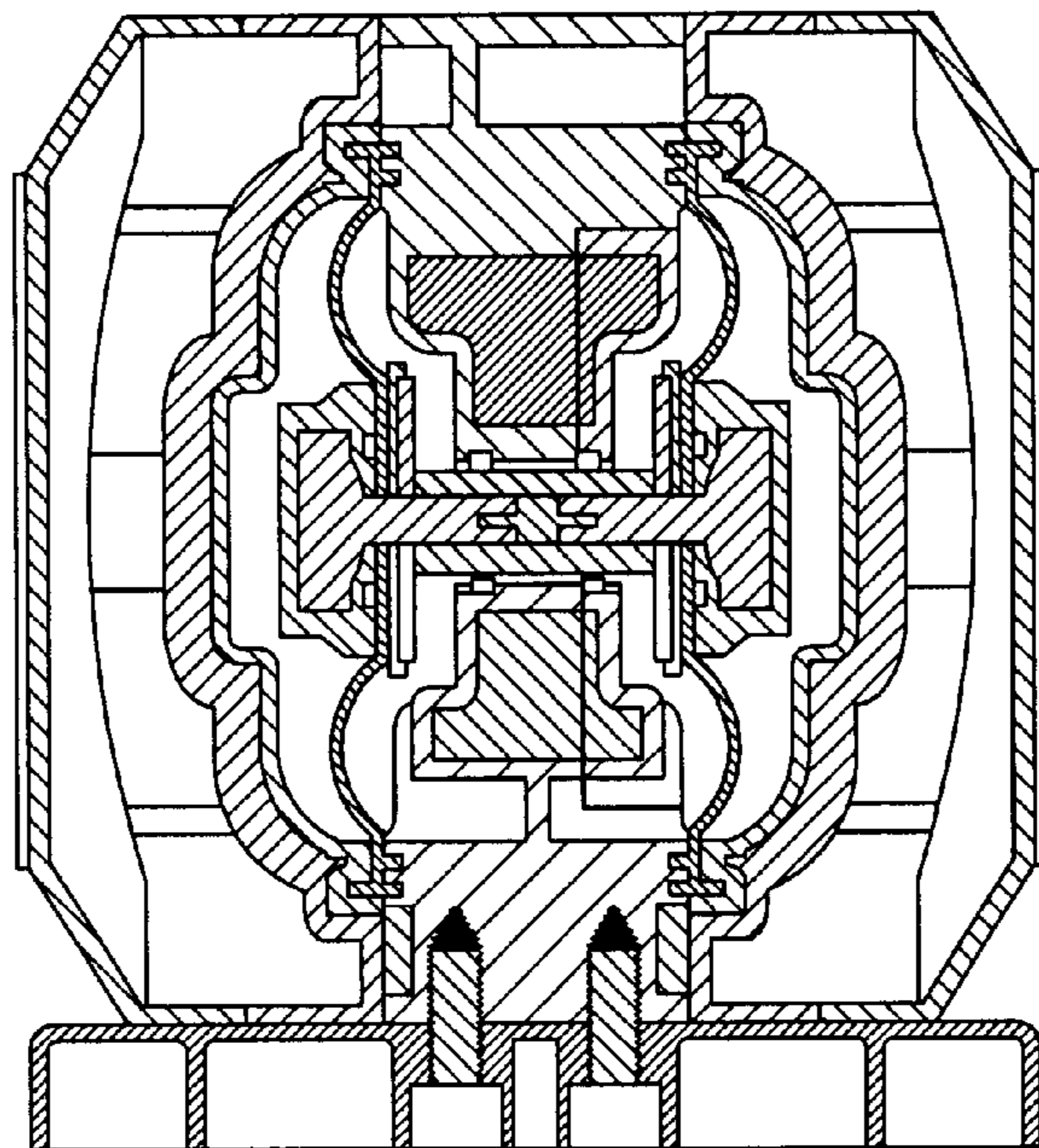


FIG. 6

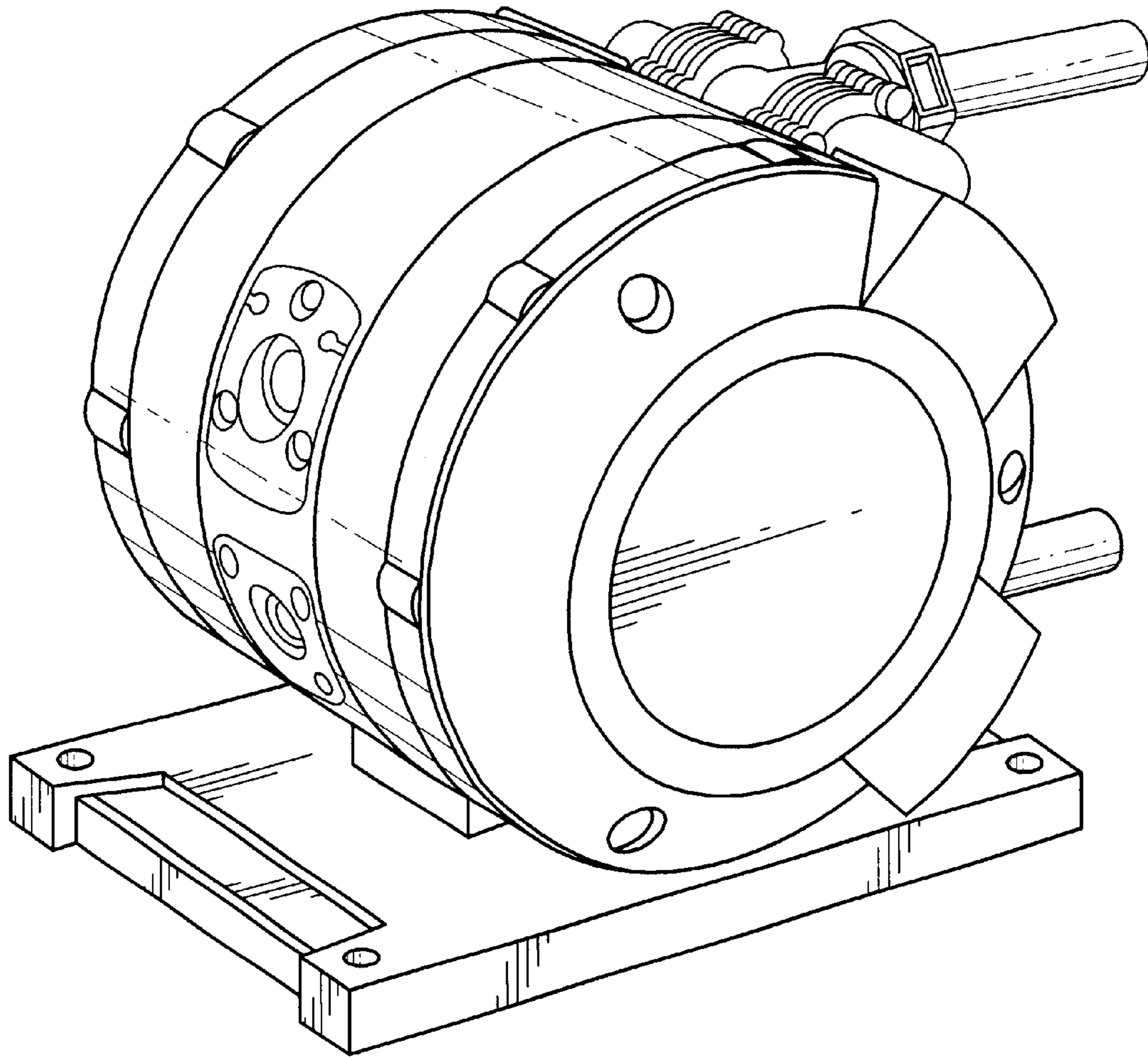


FIG. 7