

US00D499115S

(12) **United States Design Patent**
Tatic

(10) **Patent No.:** **US D499,115 S**

(45) **Date of Patent:** **** Nov. 30, 2004**

(54) **FOUNTAIN PUMP**

(75) **Inventor:** Aleksandar Tatic, Milan (IT)

(73) **Assignee:** Gardena Manufacturing GmbH (DE)

(**) **Term:** 14 Years

(21) **Appl. No.:** 29/198,643

(22) **Filed:** Feb. 2, 2004

(30) **Foreign Application Priority Data**

Aug. 9, 2003 (DE) 403 05 276

(51) **LOC (7) Cl.** 15-02

(52) **U.S. Cl.** D15/7

(58) **Field of Search** D15/7-9; 417/321,
417/410, 413.1, 415, 423.3, 486, 521, 534;
415/148

(56) **References Cited**

U.S. PATENT DOCUMENTS

D361,571 S	*	8/1995	Makino	D15/7
D361,575 S	*	8/1995	Makino	D15/7
D438,876 S	*	3/2001	Clivio	D15/7
D440,229 S	*	4/2001	Balint	D15/7

OTHER PUBLICATIONS

Heisser catalog "Wieder an der Spitze durch innovation" 2002/2003, pp. 12-15.

Oase catalog "Handlerkatalog" 2003, pp. 8, 10, 12 and 13.

* cited by examiner

Primary Examiner—Ralf Seifert

(74) *Attorney, Agent, or Firm*—Akerman Senterfitt

(57) **CLAIM**

The ornamental design for a fountain pump, as shown and described.

DESCRIPTION

FIG. 1: is a side perspective view of the fountain pump showing my new design;

FIG. 2: is the front elevation view thereof;

FIG. 3: is the rear elevation view thereof;

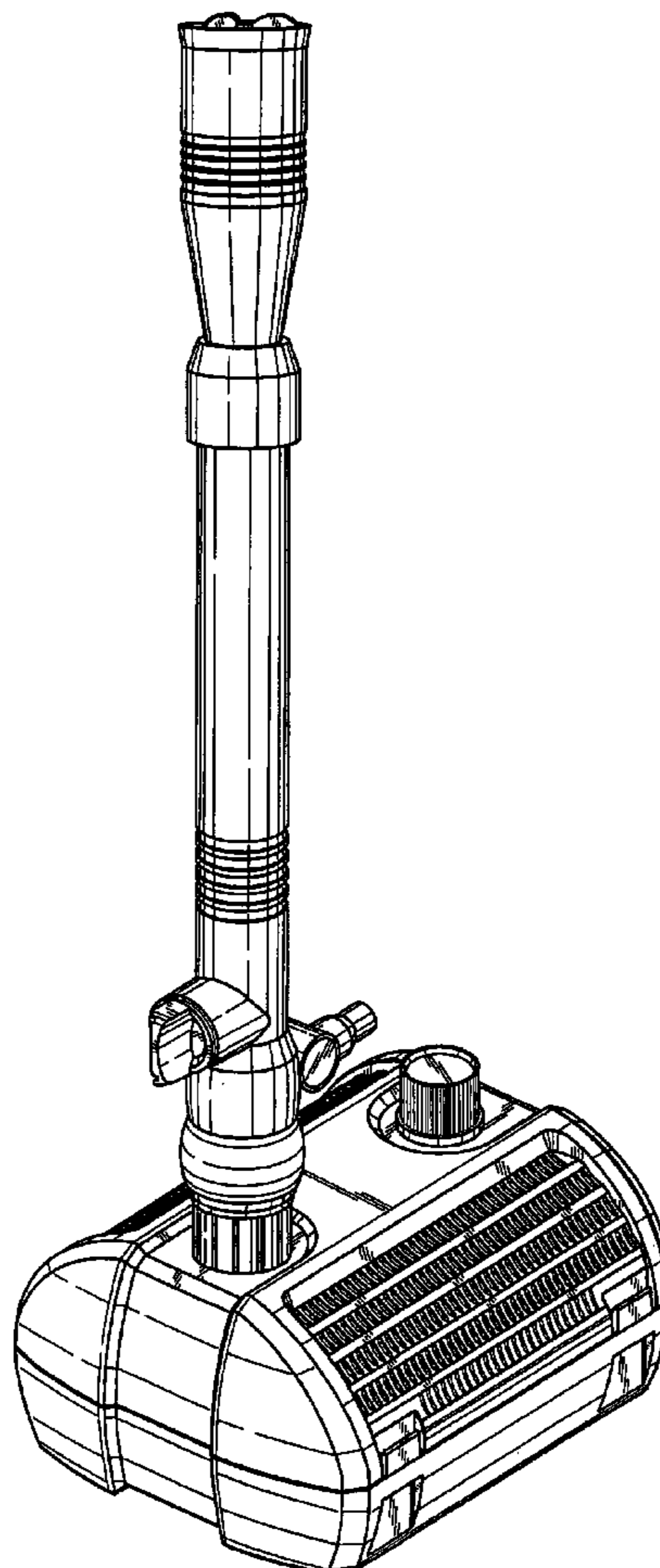
FIG. 4: is the right side elevation view thereof;

FIG. 5: is the left side elevation view thereof;

FIG. 6: is the bottom plan view thereof; and,

FIG. 7: is the top plan view thereof.

1 Claim, 6 Drawing Sheets



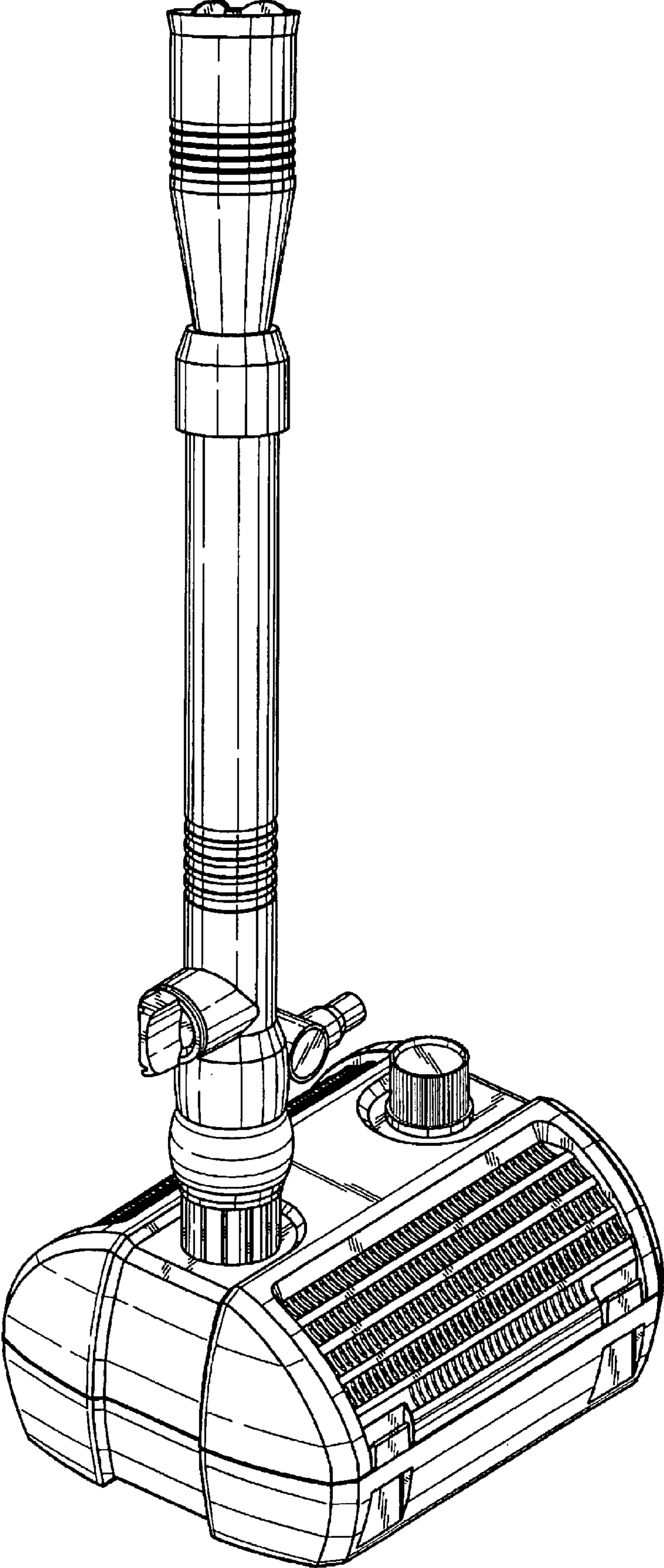
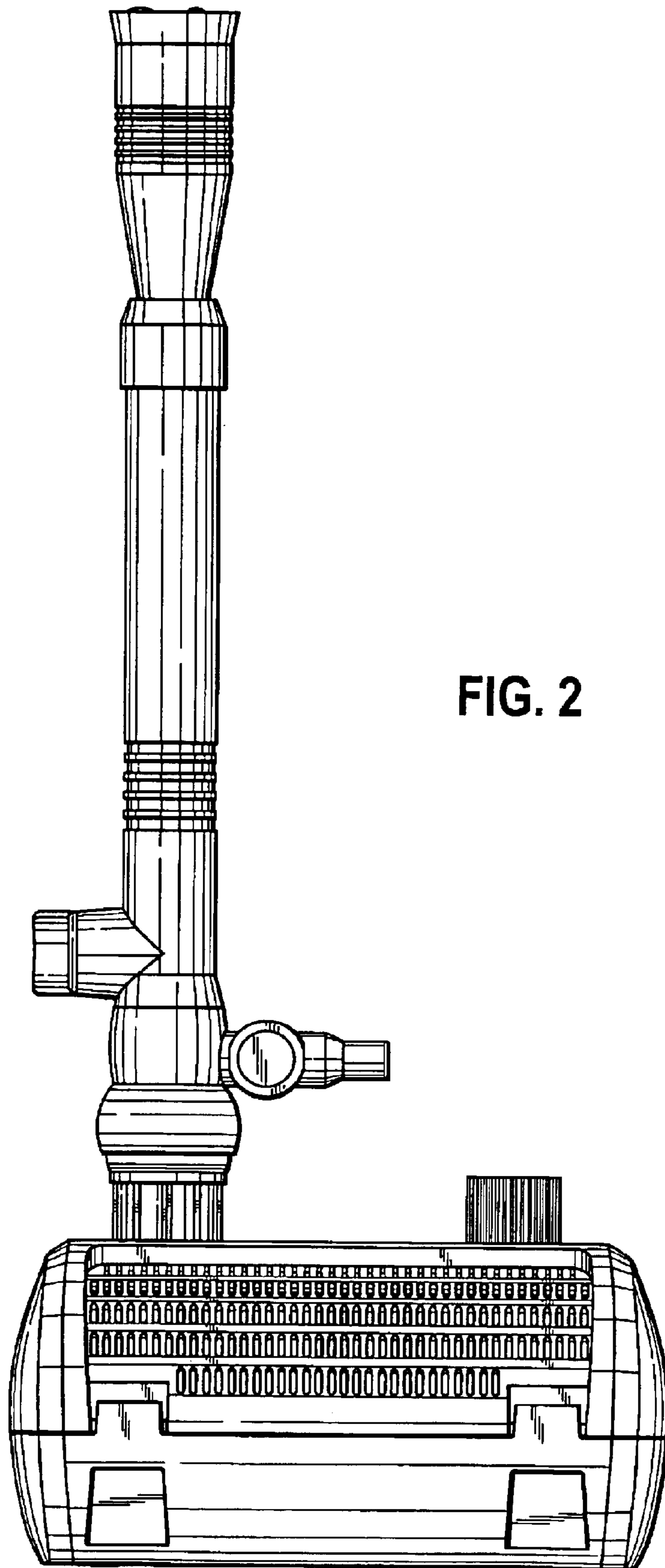


FIG. 1



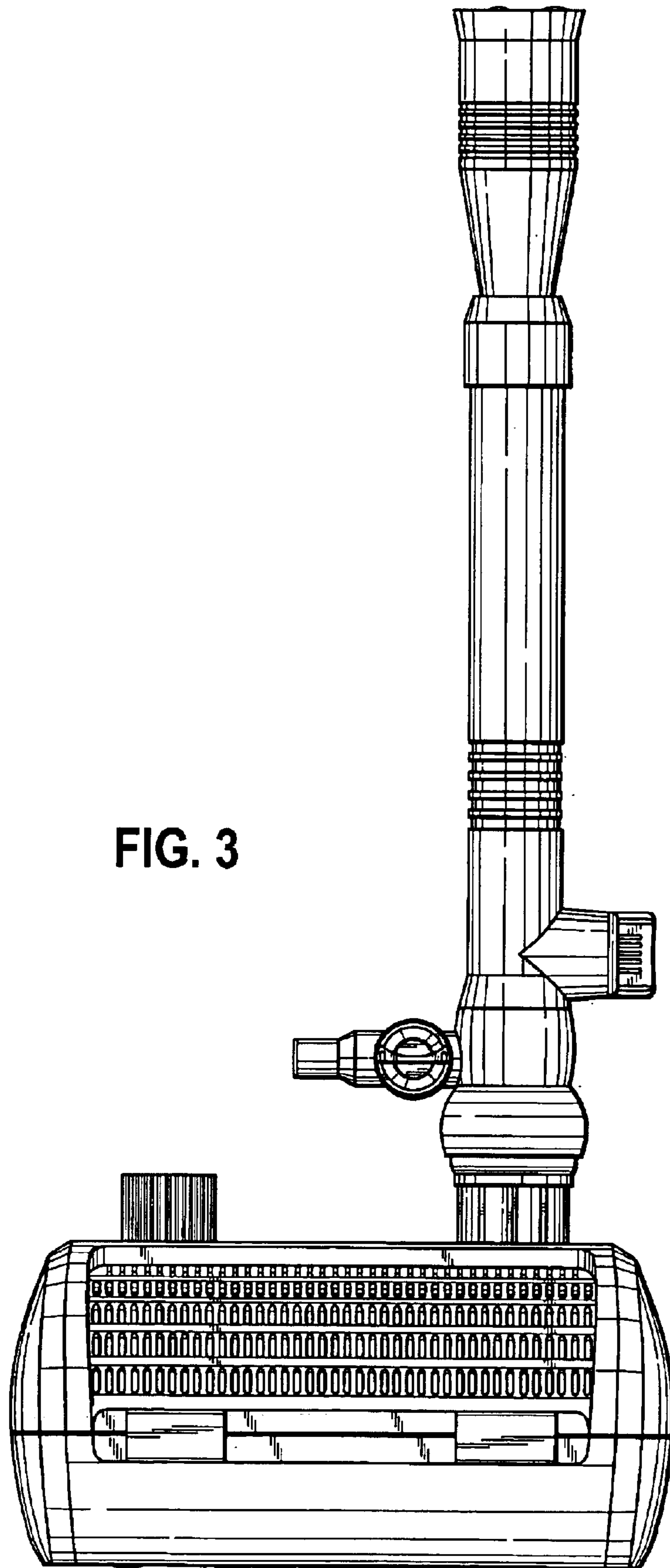


FIG. 3

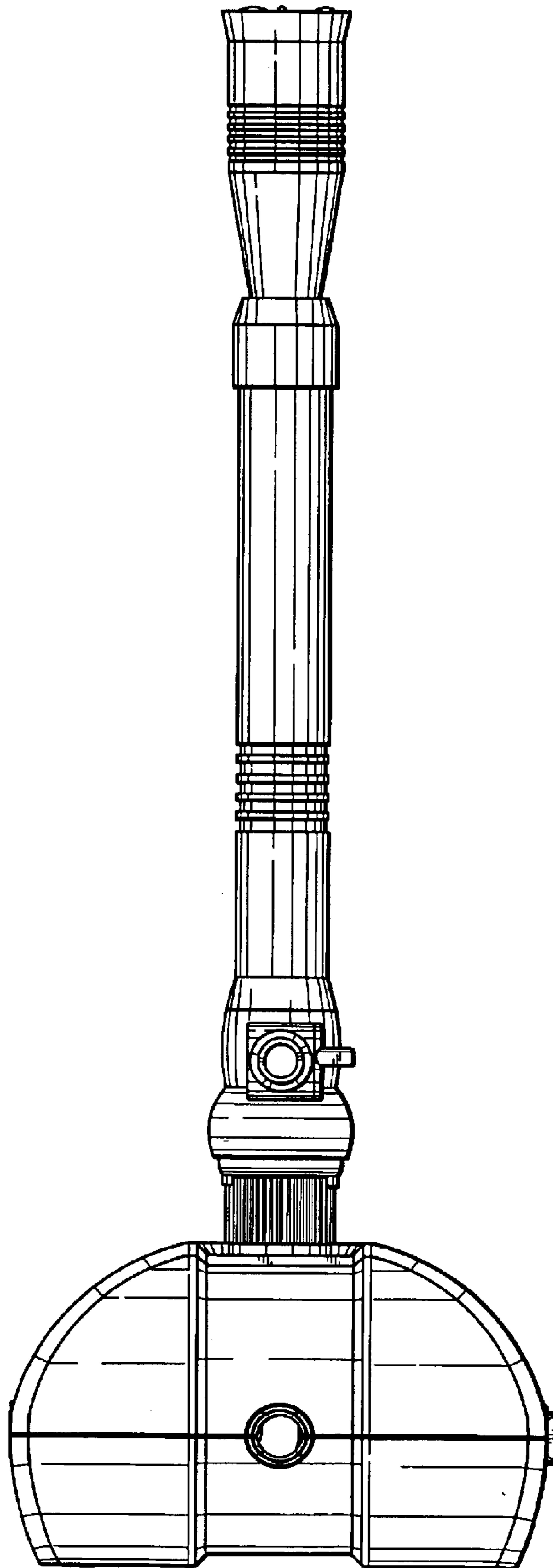


FIG. 4

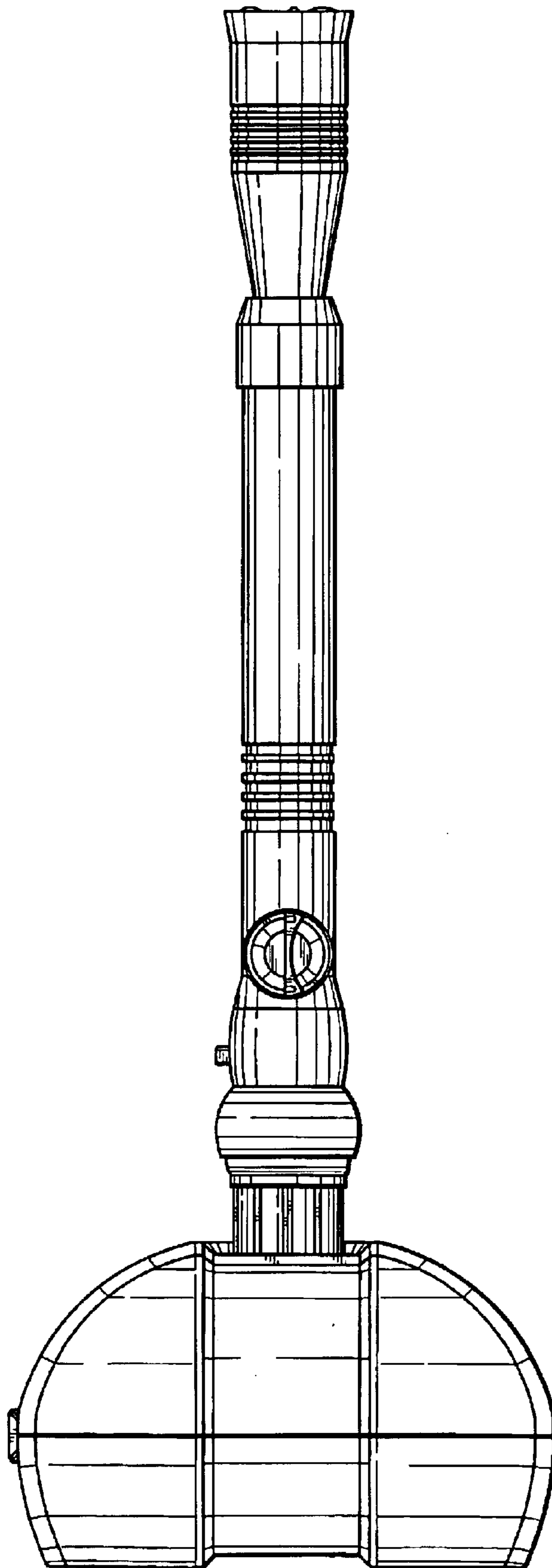


FIG. 5

FIG. 6

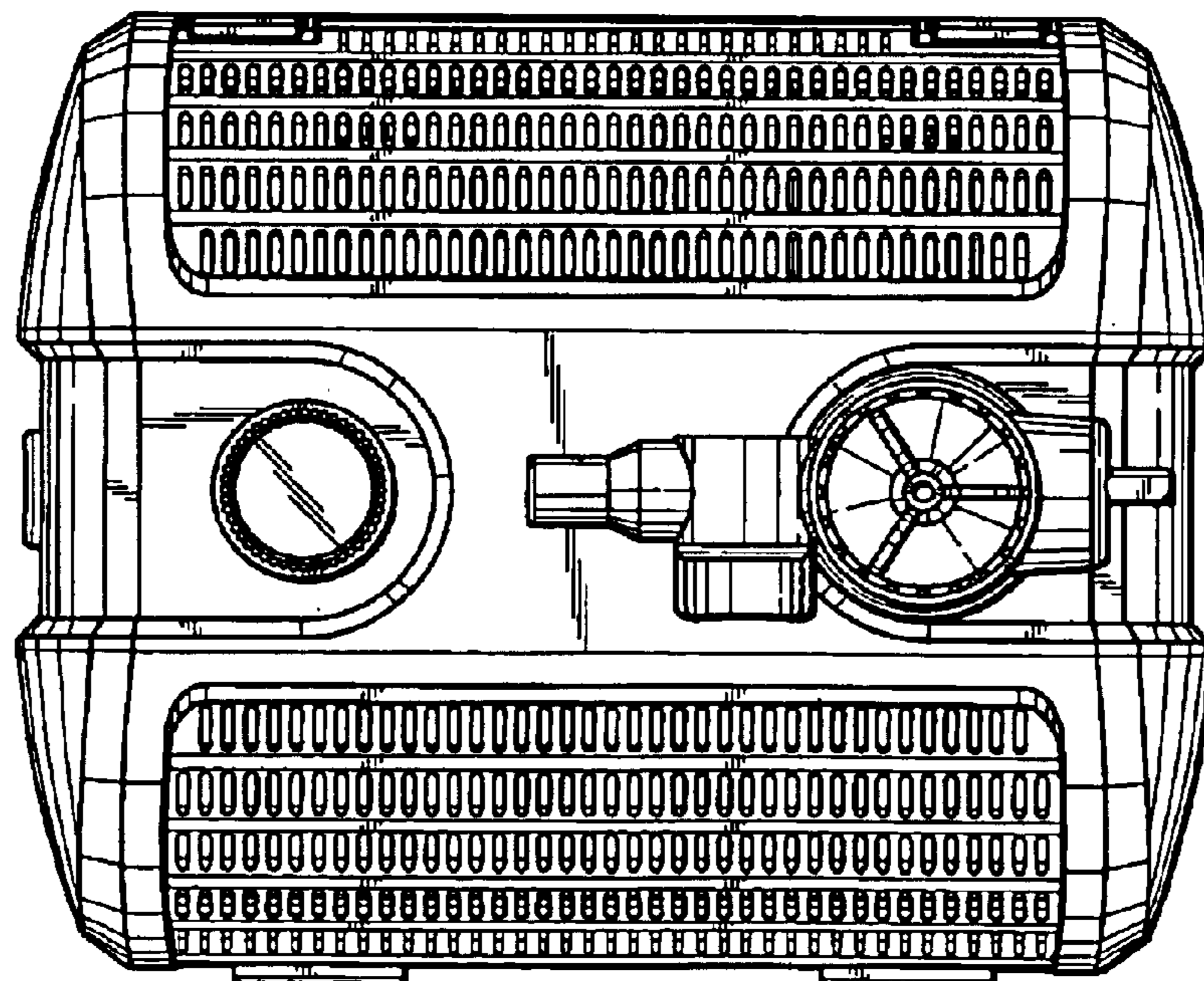
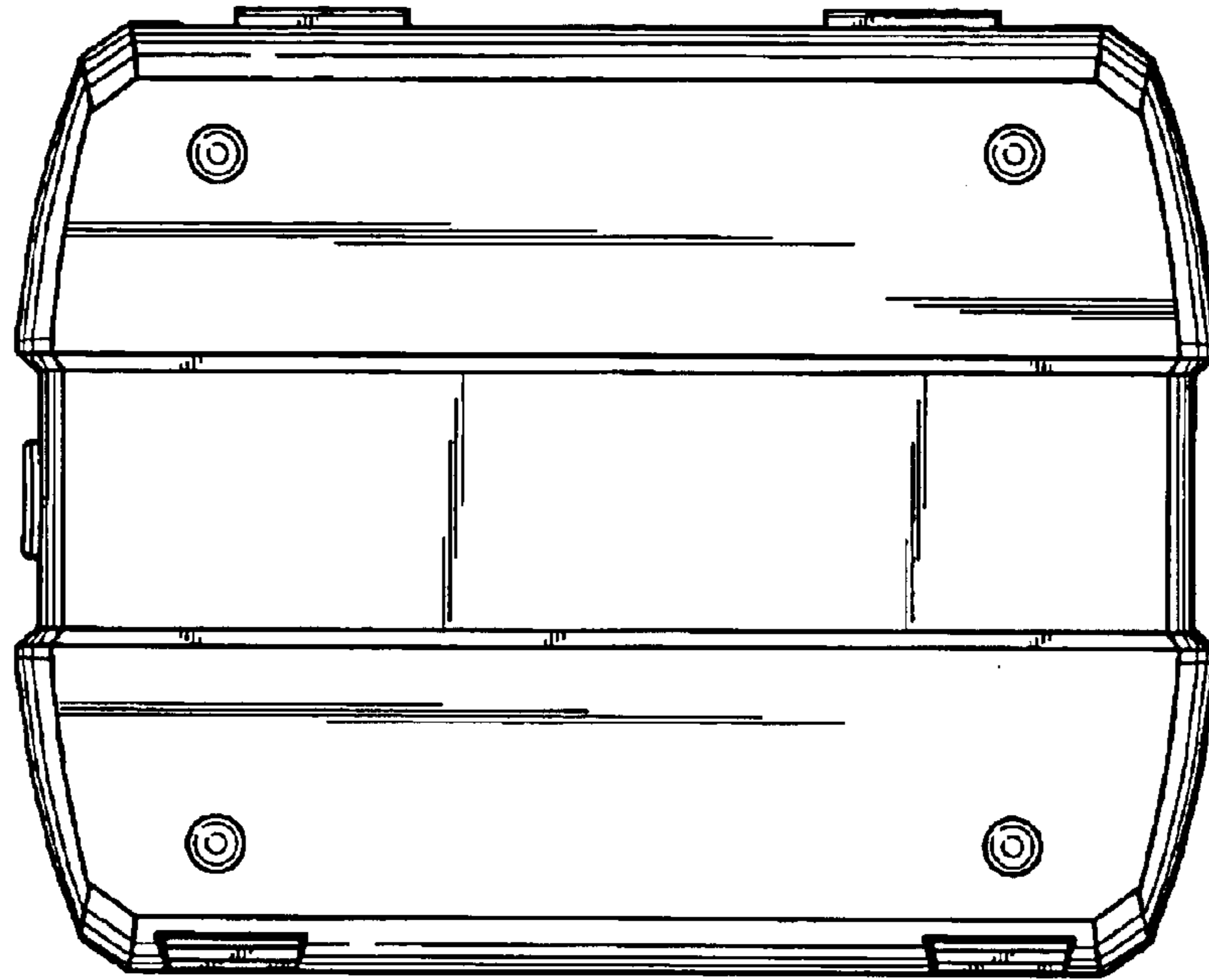


FIG. 7