

US00D499114S

(12) **United States Design Patent**
Poon

(10) **Patent No.:** **US D499,114 S**

(45) **Date of Patent:** **** Nov. 30, 2004**

(54) **AIR PUMP**

(75) **Inventor:** **Tit Wing Poon, Shatin (CN)**

(73) **Assignee:** **Flying Dragon Development Ltd., Shatin (HK)**

(**) **Term:** **14 Years**

(21) **Appl. No.:** **29/177,569**

(22) **Filed:** **Mar. 12, 2003**

(30) **Foreign Application Priority Data**

Sep. 12, 2002 (HK) 0211397

(51) **LOC (7) Cl.** **15-02**

(52) **U.S. Cl.** **D15/7**

(58) **Field of Search** D15/7-9; 417/410.4,
417/321, 410.1, 413.1, 415, 423.3, 486,
534; 152/449; 317/723

(56) **References Cited**

U.S. PATENT DOCUMENTS

D391,969 S * 3/1998 Poon D15/7

D422,602 S * 4/2000 Poon D15/7
D425,914 S * 5/2000 Tsai D15/7
D453,524 S * 2/2002 Wu D15/7
D466,908 S * 12/2002 Poon D15/7

* cited by examiner

Primary Examiner—Ralf Seifert

(74) *Attorney, Agent, or Firm*—Alix, Yale & Ristas, LLP

(57) **CLAIM**

The ornamental design for an air pump, as shown and described.

DESCRIPTION

FIG. 1 is a front view of the air pump showing my new design;

FIG. 2 is a top plan view of the air pump of FIG. 1;

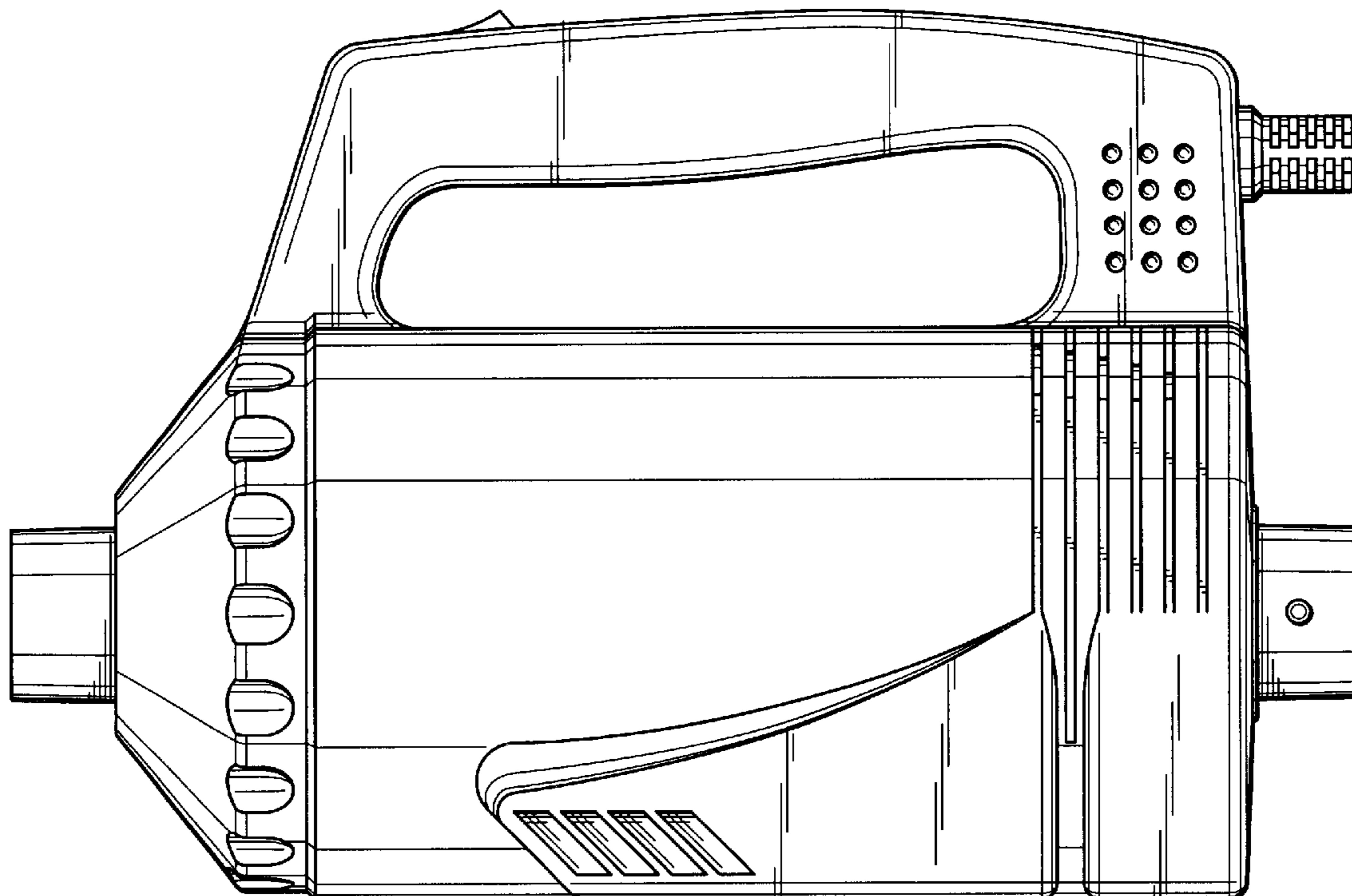
FIG. 3 is a left side view of the air pump of FIG. 1;

FIG. 4 is a right side view of the air pump of FIG. 1;

FIG. 5 is a rear view of the air pump of FIG. 1; and,

FIG. 6 is a bottom plan view of the air pump of FIG. 1.

1 Claim, 3 Drawing Sheets



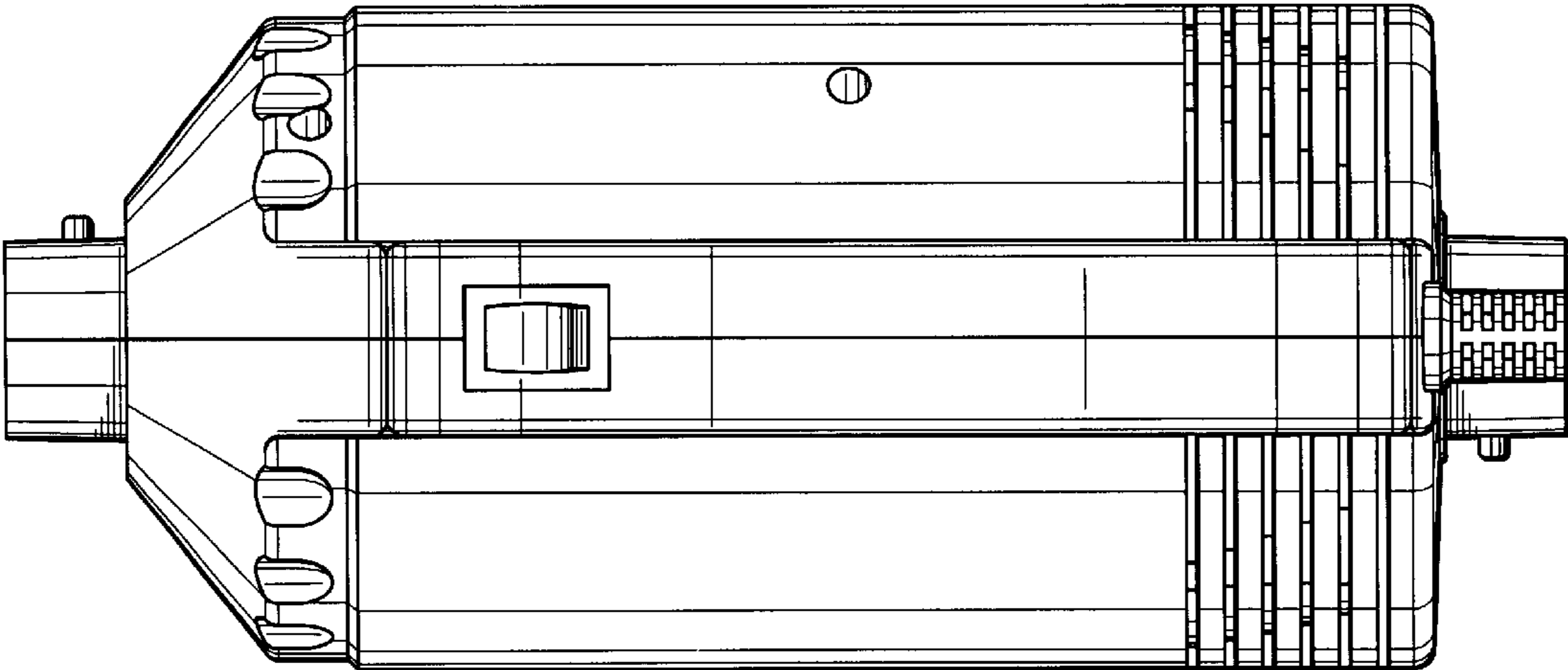


FIG. 2

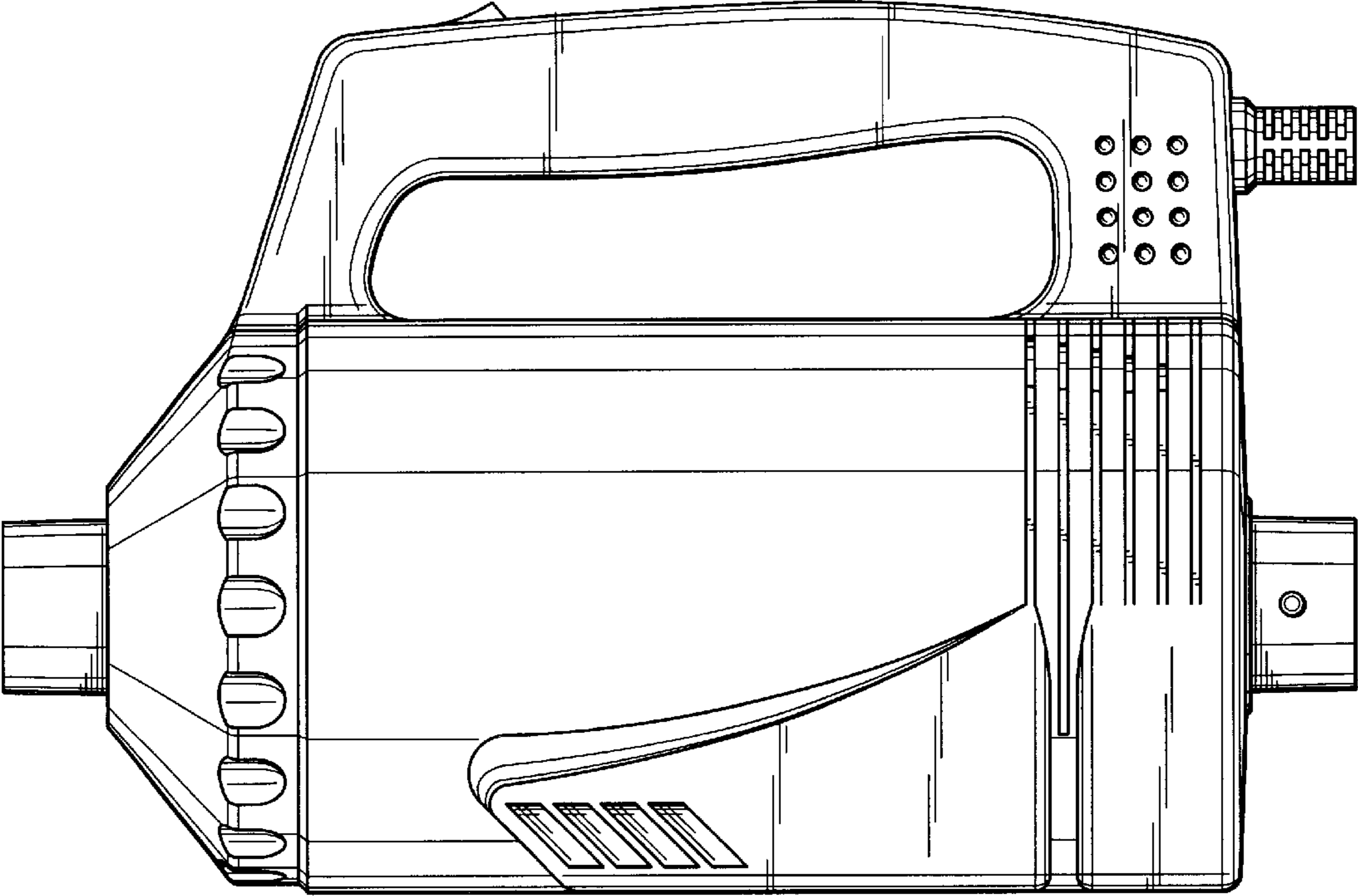


FIG. 1

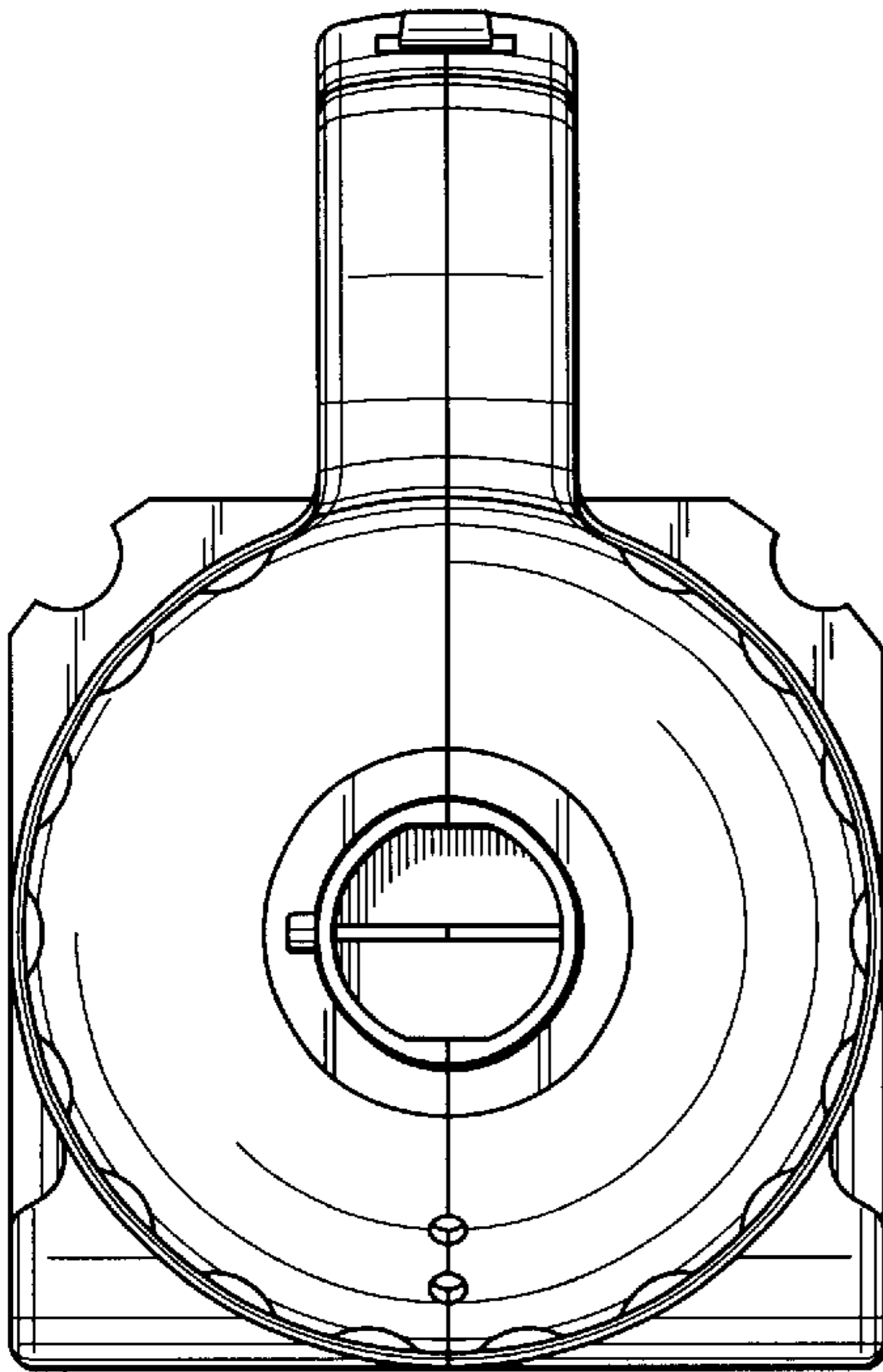


FIG. 3

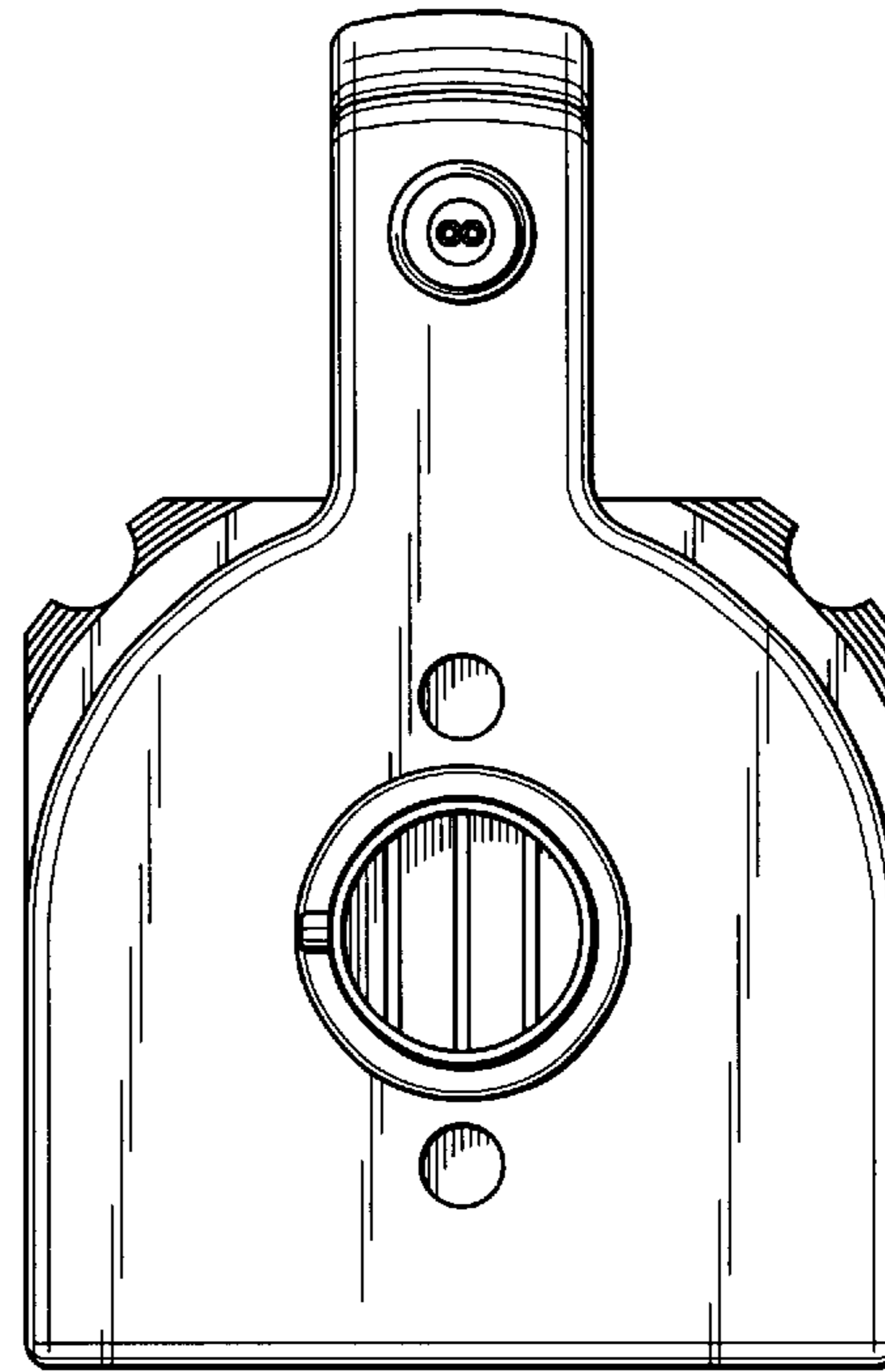


FIG. 4

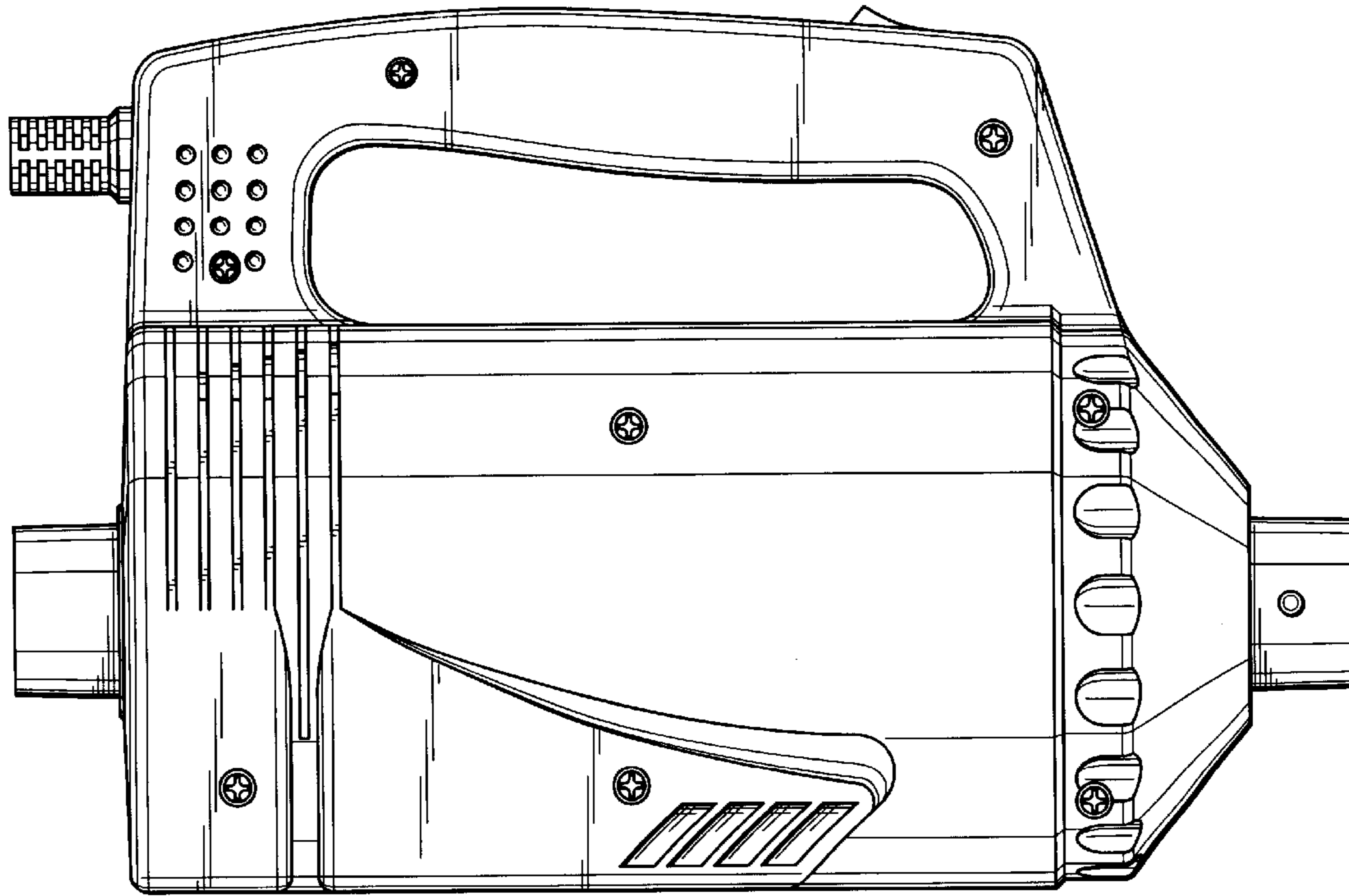


FIG. 5

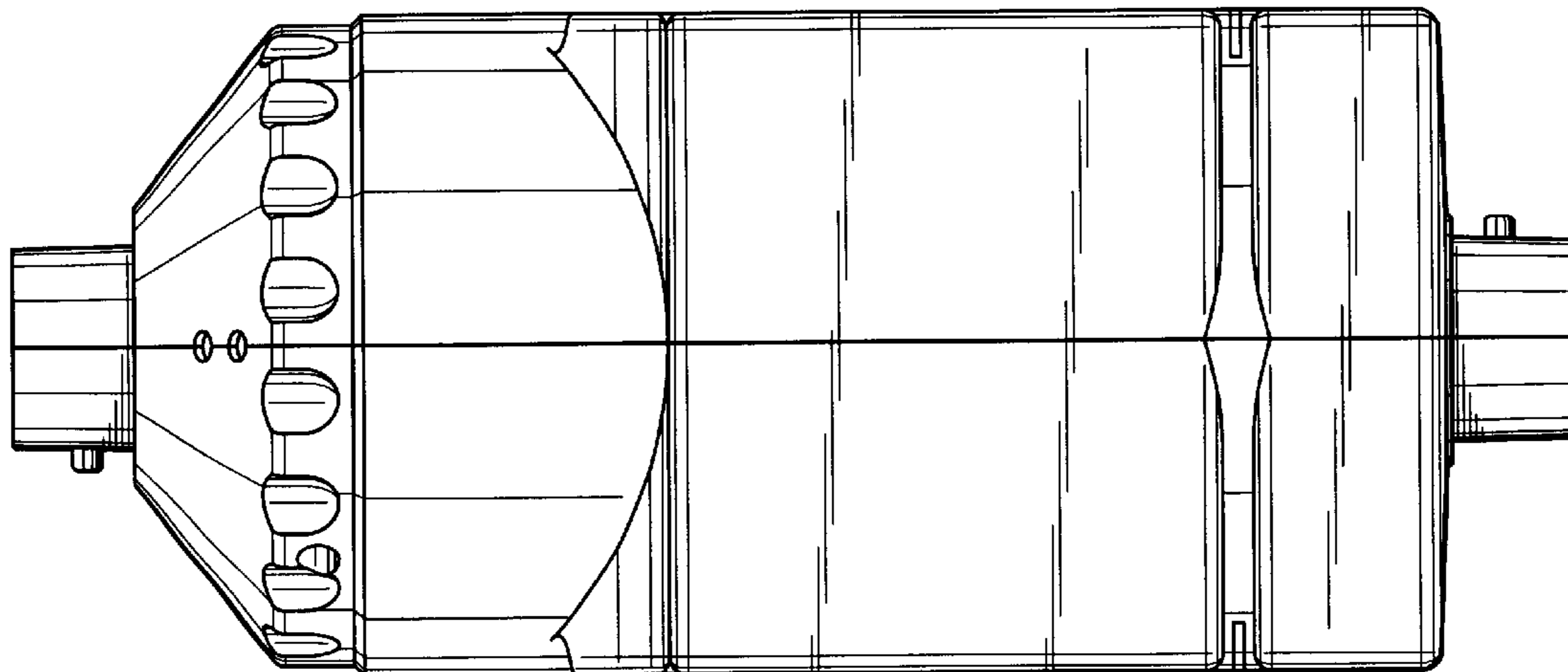


FIG. 6