

US00D499113S

(12) **United States Design Patent** (10) **Patent No.:** **US D499,113 S**
Murayama et al. (45) **Date of Patent:** **** Nov. 30, 2004**

(54) **AIR DIRECTIONAL CONTROL VALVE**

(75) Inventors: **Yasuhiro Murayama**, Takatsuki (JP);
Toshihiro Takao, Takatsuki (JP)

(73) Assignee: **Techno Takatsuki Co. Ltd**, Osaka (JP)

(**) Term: **14 Years**

(21) Appl. No.: **29/162,272**

(22) Filed: **Jun. 12, 2002**

(30) **Foreign Application Priority Data**

Dec. 13, 2001 (JP) 2001-036701

(51) **LOC (7) Cl.** **15-02**

(52) **U.S. Cl.** **D15/7**

(58) **Field of Search** D15/7-9; 417/221,
417/410.1, 413.1, 423.3, 40, 88; 200/84 B;
210/169, 416.2; 222/401

(56) **References Cited**

U.S. PATENT DOCUMENTS

D224,355 S	*	7/1972	Kondo	D15/8
D227,507 S	*	6/1973	Kondo	D15/8
D354,754 S	*	1/1995	Broughton	D15/7
D395,318 S	*	6/1998	Wang	D15/8
D448,778 S	*	10/2001	Iwata	D15/7
D454,885 S	*	3/2002	Murayama et al.	D15/7

* cited by examiner

Primary Examiner—Ralf Seifert

(57) **CLAIM**

The ornamental design for an air directional control valve, as shown and described.

DESCRIPTION

The article to which our new design is applied, “air directional control valve”, is used by connecting with air pump for controlling air direction, for example, in order to supply compressed air to both directions of back wash and aeration by means of an air pump, in Gappei-shorijohkasou (duplex sewage disposal tank).

This article is designed so as to easily set a time of controlling air direction with keeping air pump connected, by opening a lid of this article, and only pushing buttons.

FIG. 1 is a perspective view of my new design of air directional control valve;

FIG. 2 is a front view thereof;

FIG. 3 is a rear view thereof;

FIG. 4 is a plane view thereof;

FIG. 5 is a bottom view thereof;

FIG. 6 is a right side view thereof;

FIG. 7 is a left side view thereof;

FIG. 8 is a sectional view omitting an internal mechanism thereof;

FIG. 9 is a perspective view with a lid open thereof;

FIG. 10 is a front view with a lid open thereof; and,

FIG. 11 is a plane view with a lid open thereof.

The parts of the article drawn in full lines are our new design for which we seek registration.

1 Claim, 11 Drawing Sheets

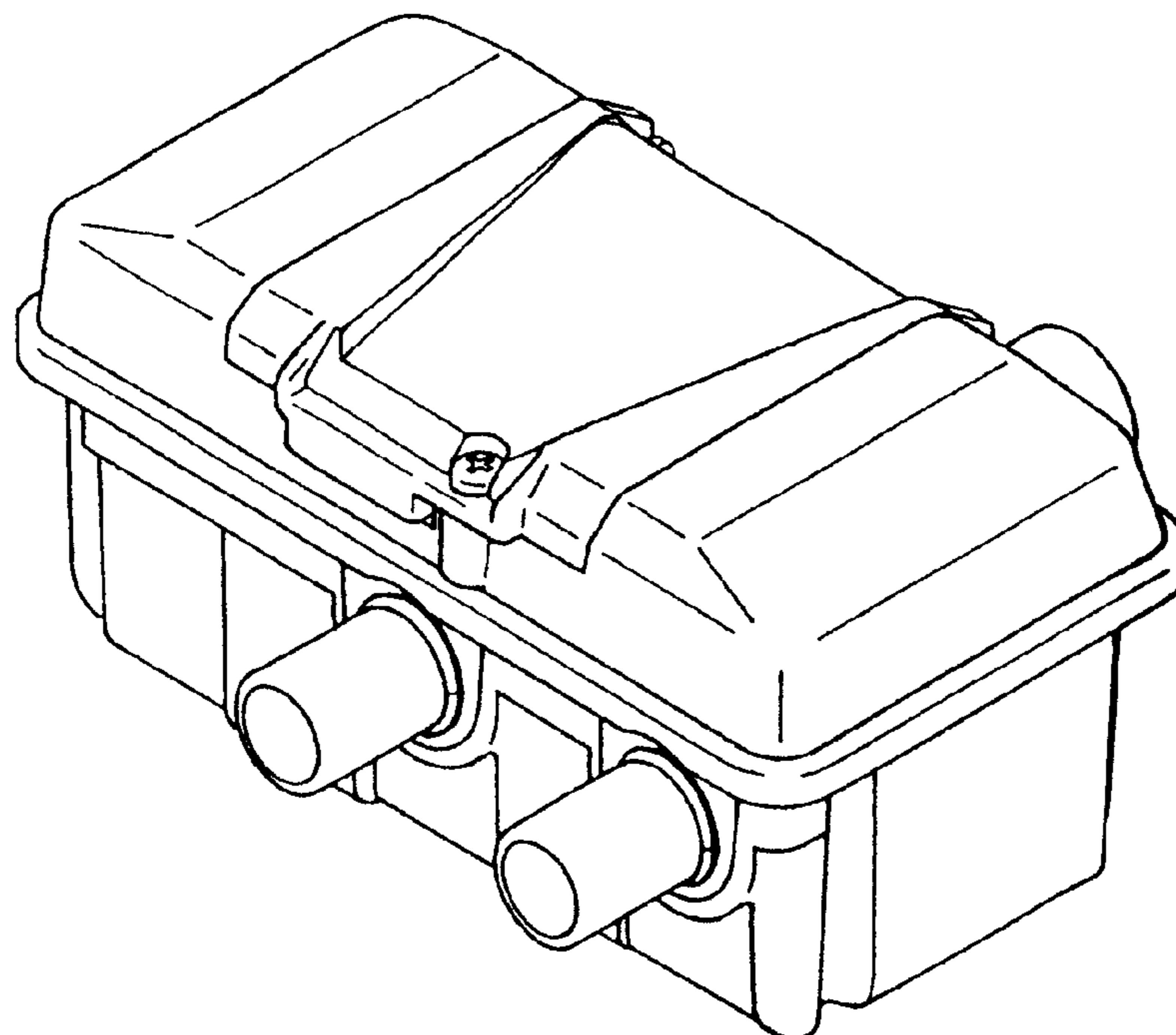


FIG. 1

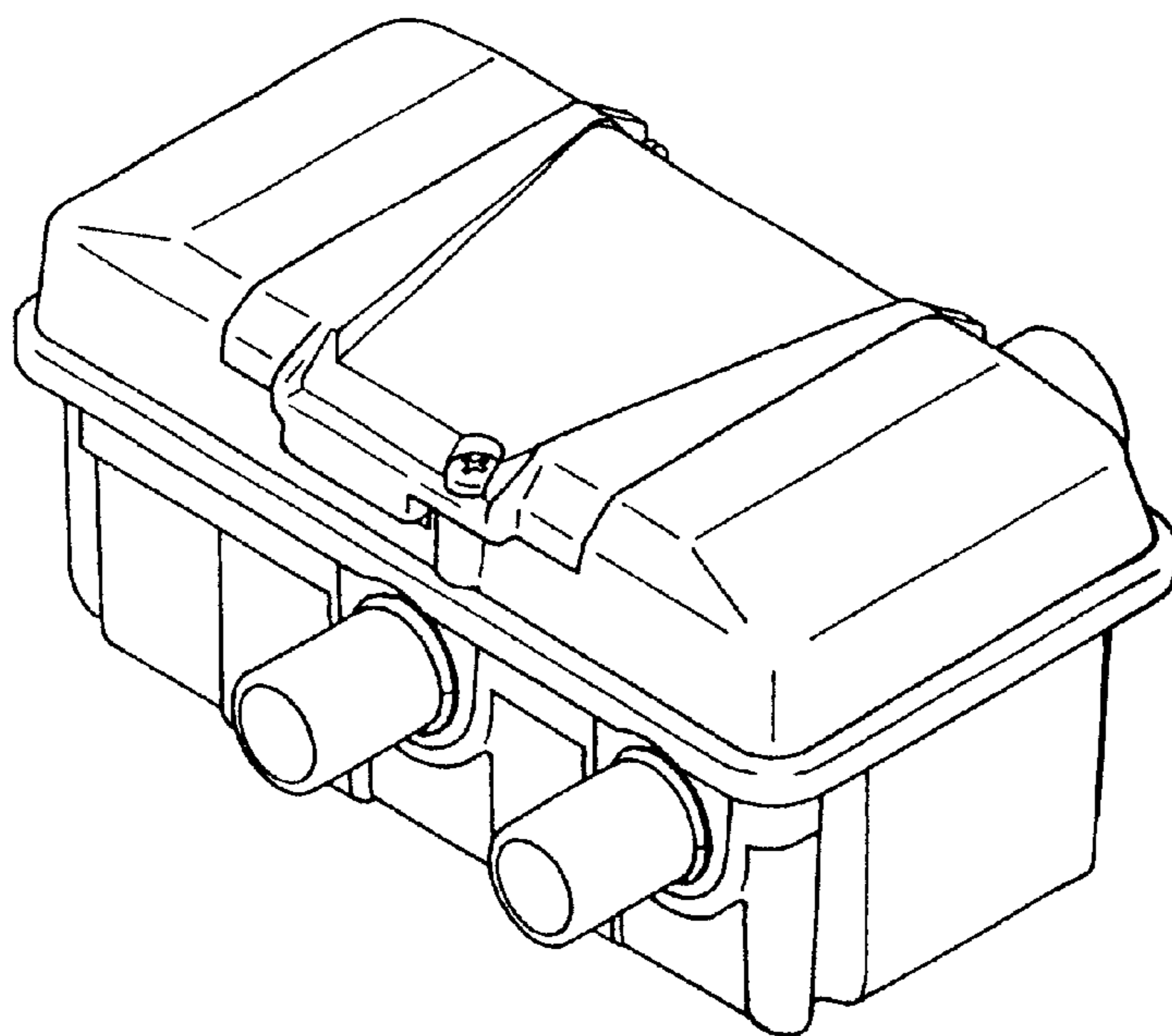


FIG. 2

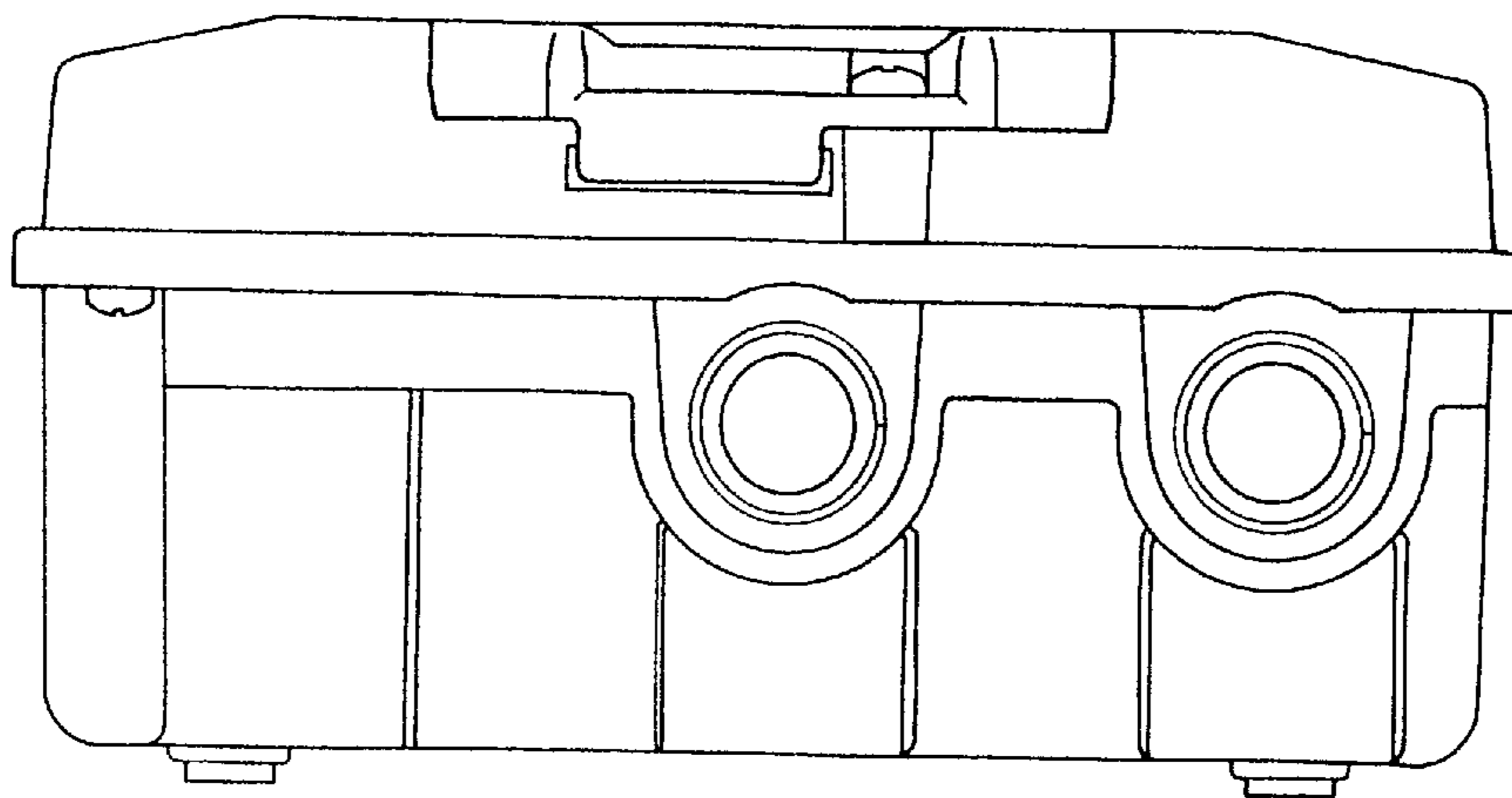


FIG. 3

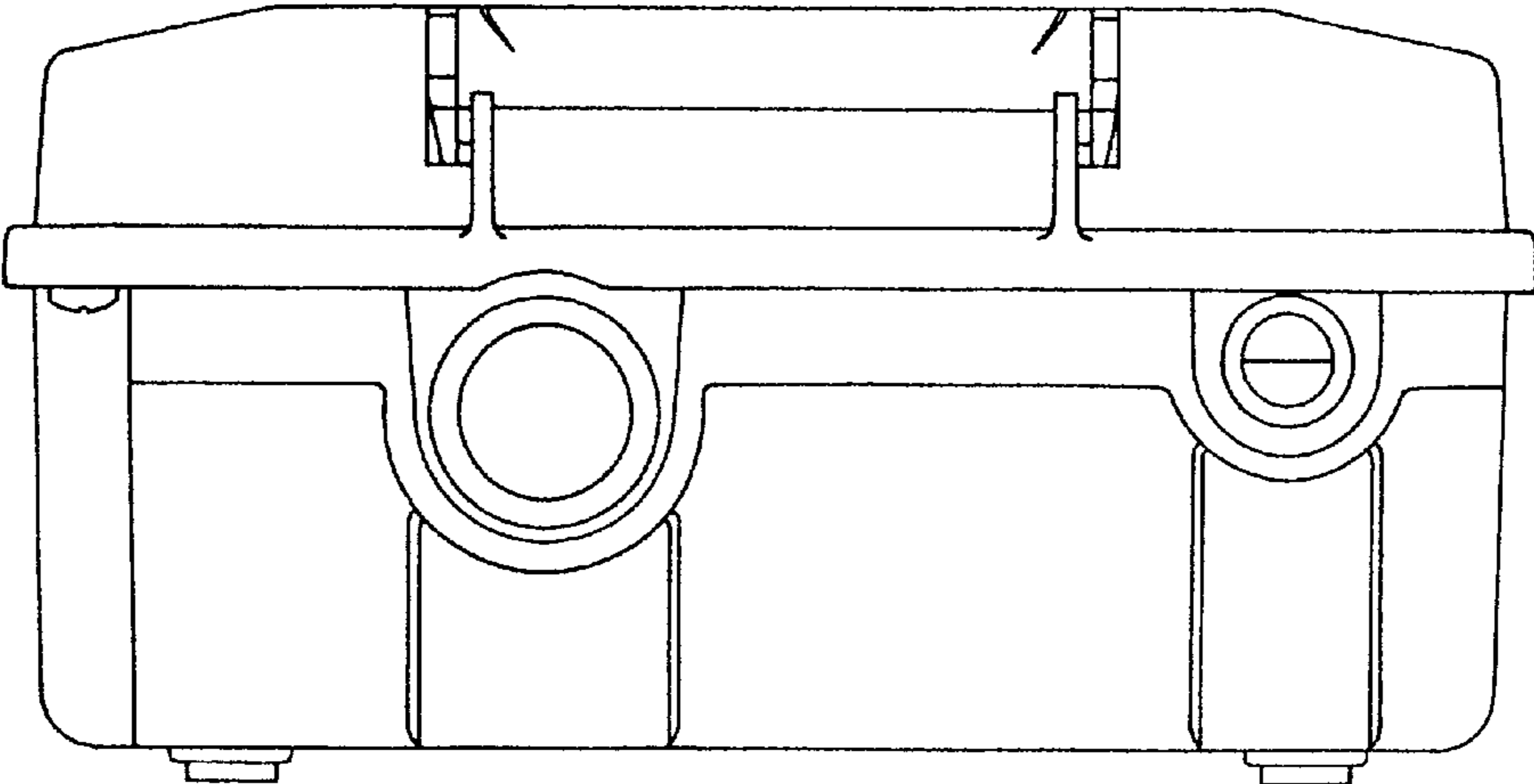


FIG. 4

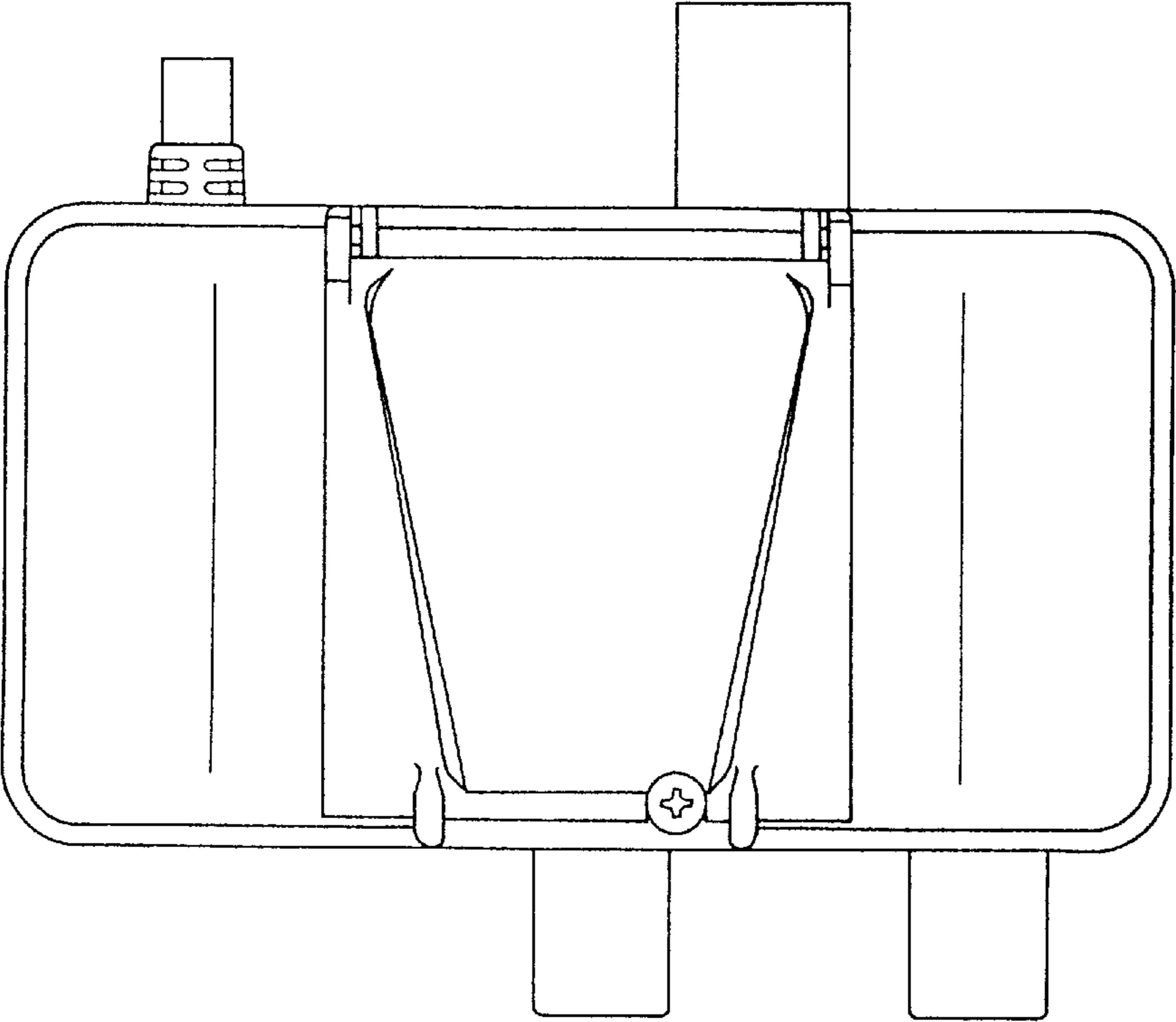


FIG. 5

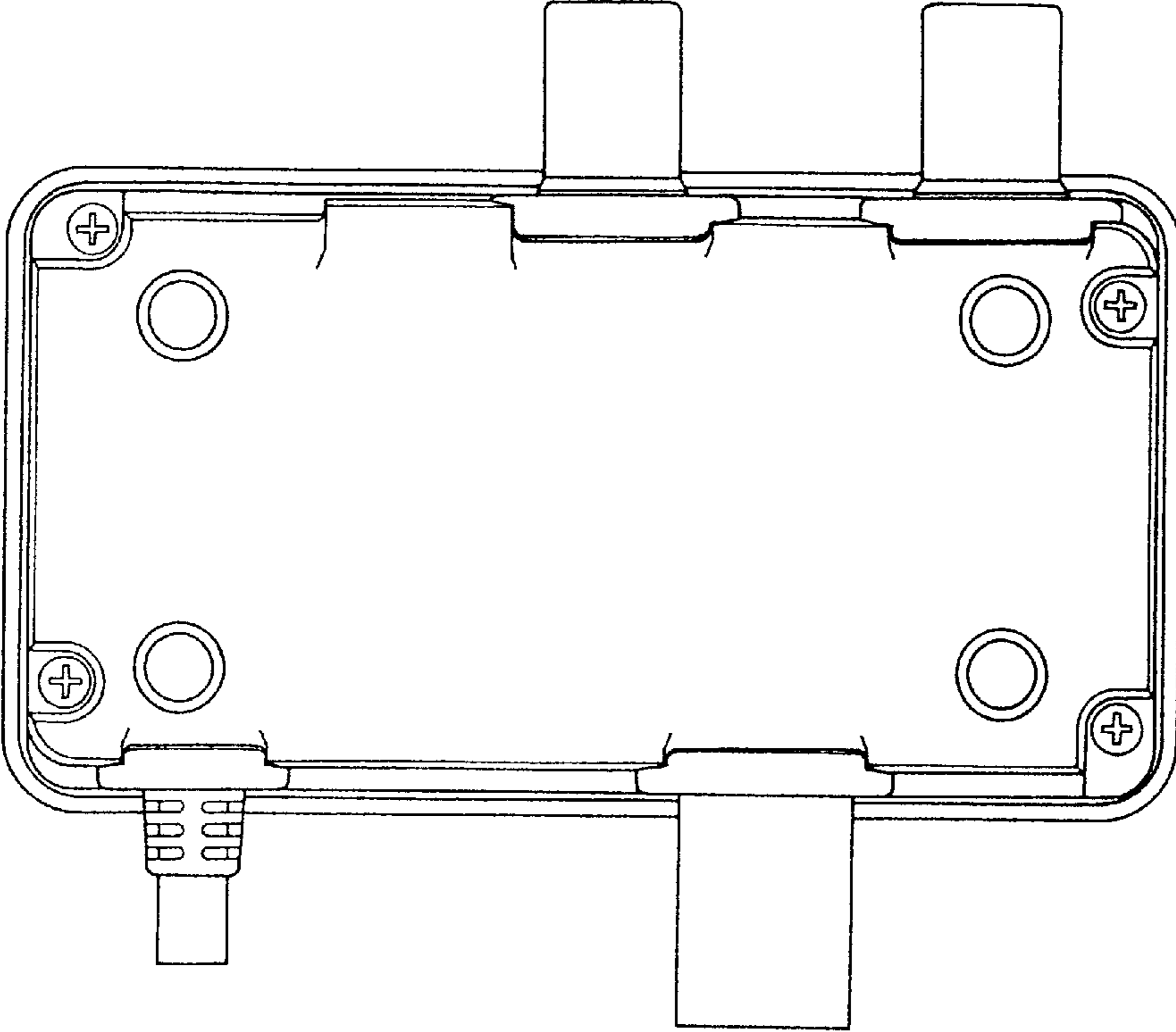


FIG. 6

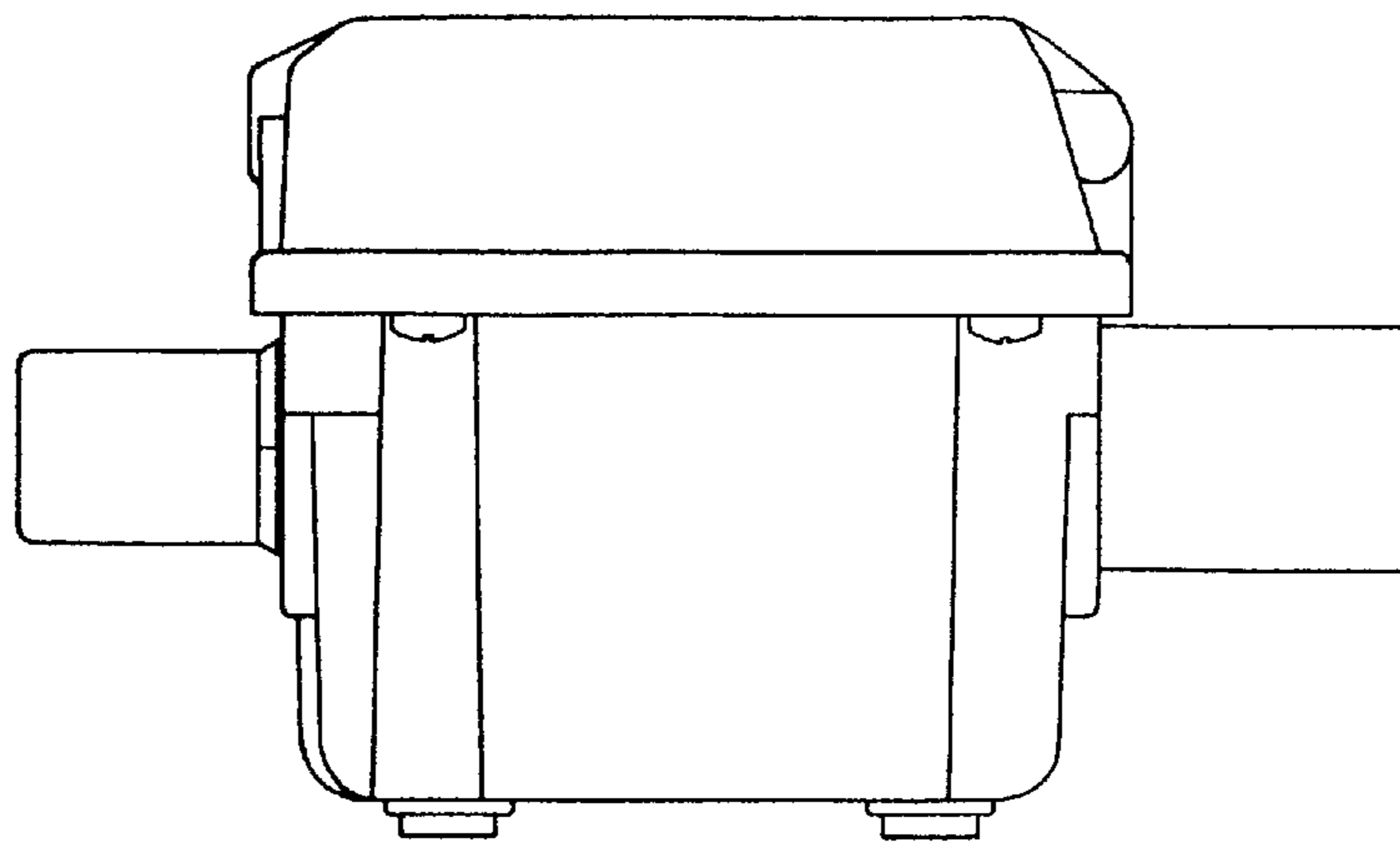


FIG. 7

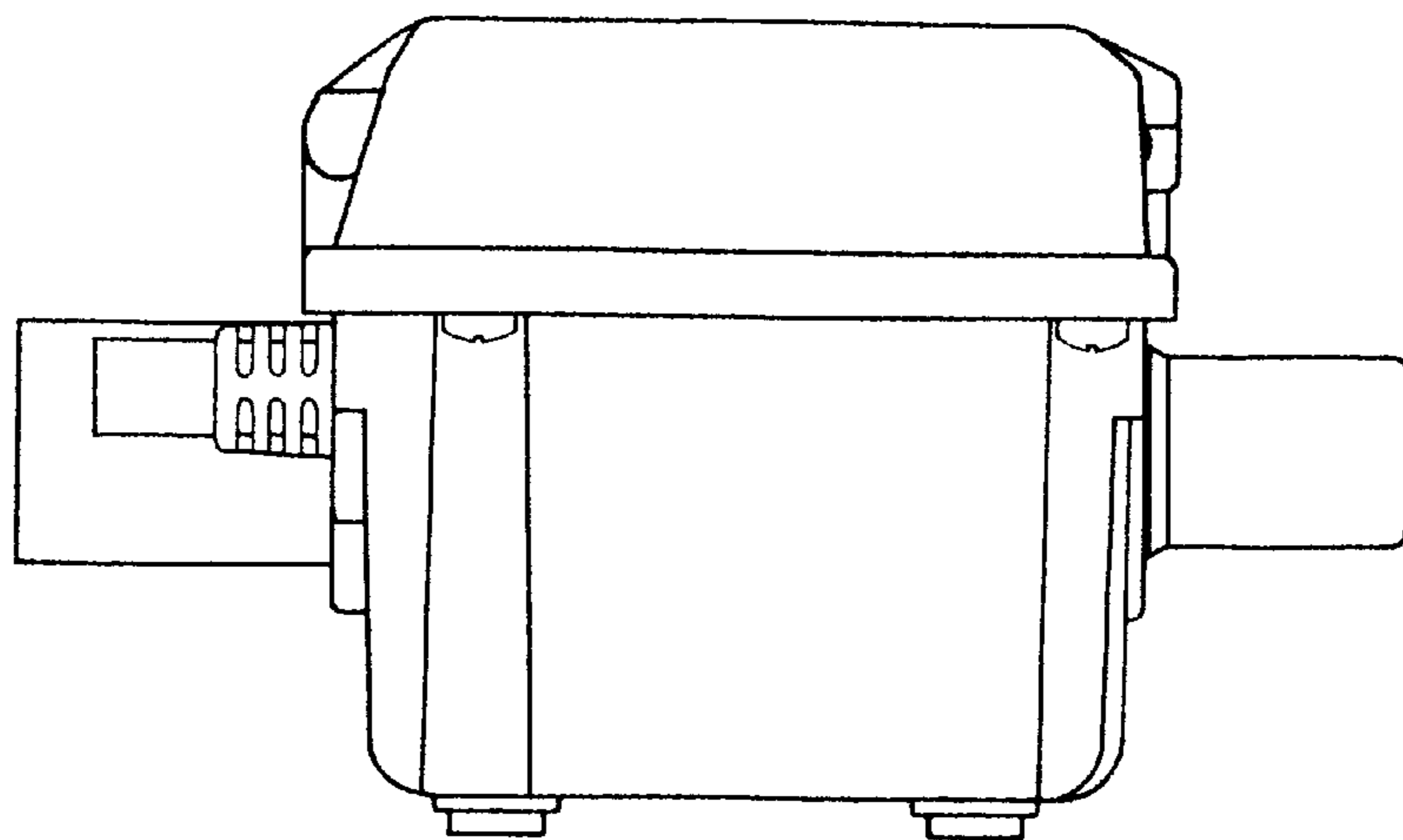


FIG. 8

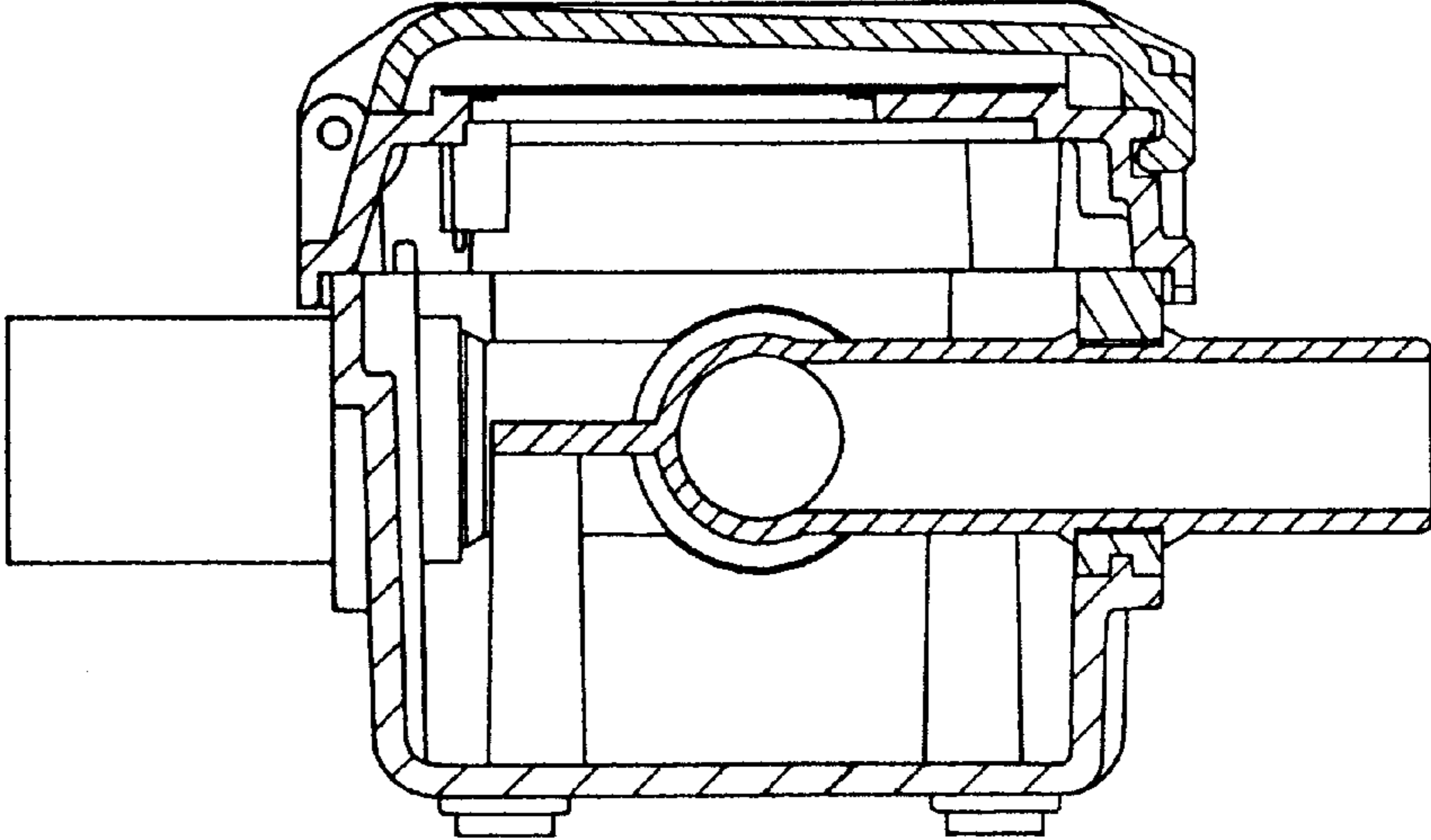


FIG. 9

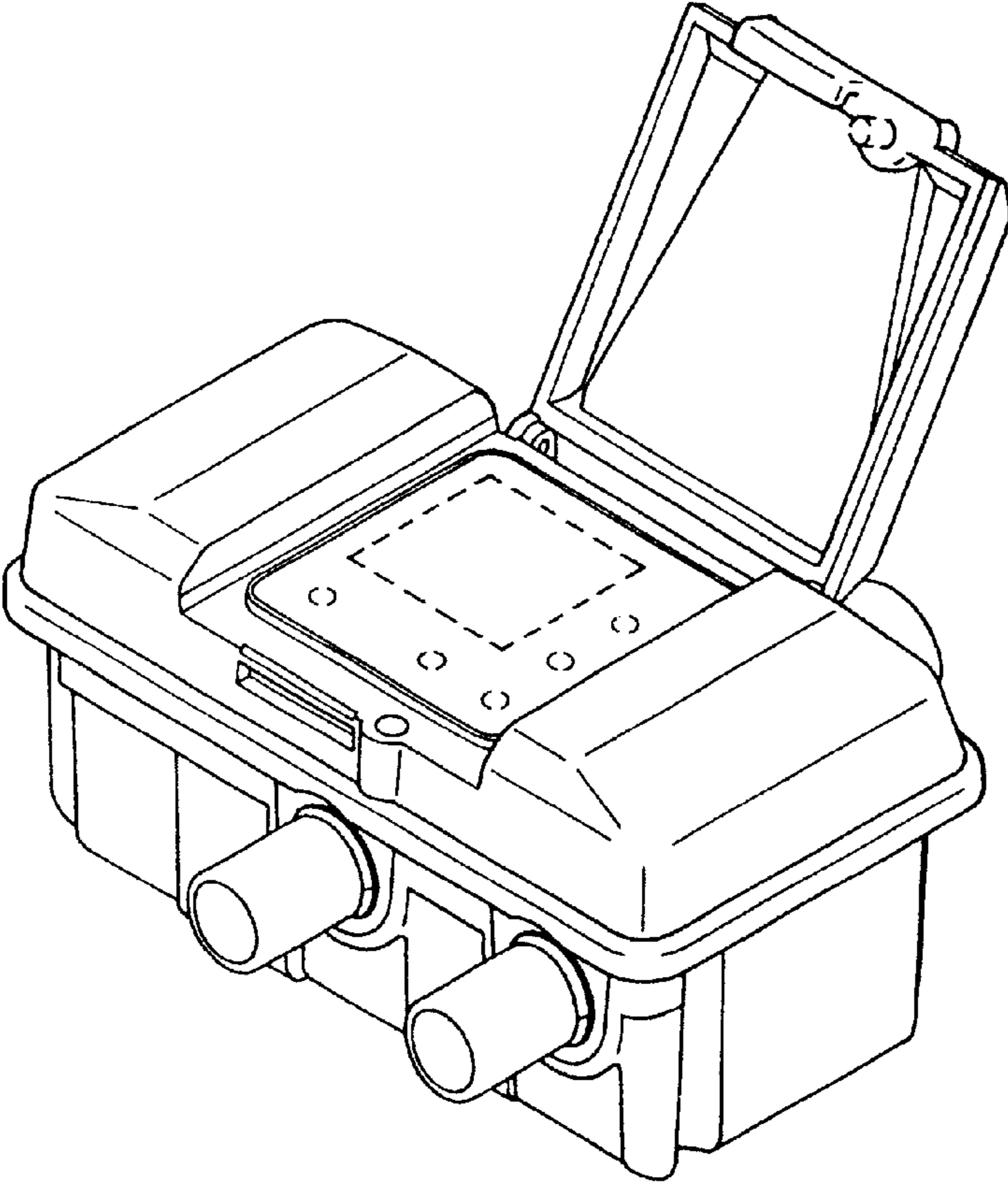


FIG. 10

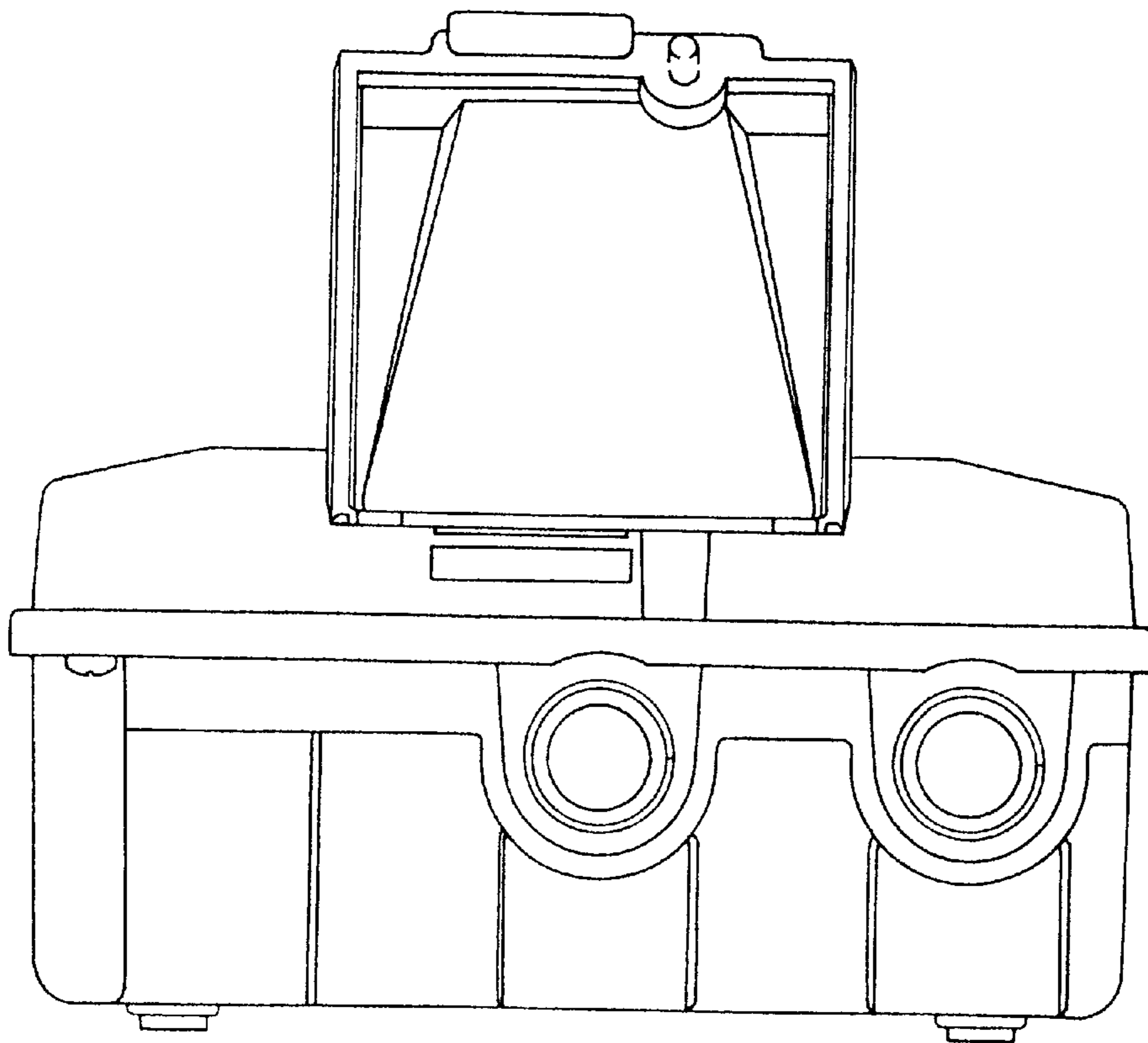


FIG. 11

