

US00D499109S

(12) **United States Design Patent**
Chen et al.

(10) **Patent No.: US D499,109 S**

(45) **Date of Patent: ** Nov. 30, 2004**

(54) **COMPUTER FRONT BEZEL**

(75) Inventors: **Yun Lung Chen**, Tu-chen (TW); **Qing Hua Huang**, Shenzhen (CN); **Li Tong**, Shenzhen (CN); **Pei Bin Luo**, Shenzhen (CN)

(73) Assignee: **Hon Hai Precision Ind. Co., LTD**, Taipei Hsien (TW)

(**) Term: **14 Years**

(21) Appl. No.: **29/188,552**

(22) Filed: **Aug. 19, 2003**

(30) **Foreign Application Priority Data**

Aug. 7, 2003 (CN) 03360620.X

(51) **LOC (7) Cl.** **14-02**

(52) **U.S. Cl.** **D14/446**

(58) **Field of Search** D14/441-446;
D13/162, 184, 199; 312/223.2; 361/680-686,
690-696

(56) **References Cited**

U.S. PATENT DOCUMENTS

5,169,218 A * 12/1992 Chu 312/223.2

D466,513 S * 12/2002 Chen et al. D14/446
D467,928 S * 12/2002 Chen et al. D14/444
D468,318 S * 1/2003 Chien et al. D14/445
D474,476 S * 5/2003 Chien et al. D14/444

* cited by examiner

Primary Examiner—Freda S. Nunn

(74) *Attorney, Agent, or Firm*—Wei Te Chung

(57) **CLAIM**

The ornamental design for a computer front bezel, as shown and described.

DESCRIPTION

FIG. 1 is a perspective view of a computer front bezel of our new design;

FIG. 2 is a front elevational view thereof;

FIG. 3 is a rear elevational view thereof;

FIG. 4 is a left side elevational view thereof;

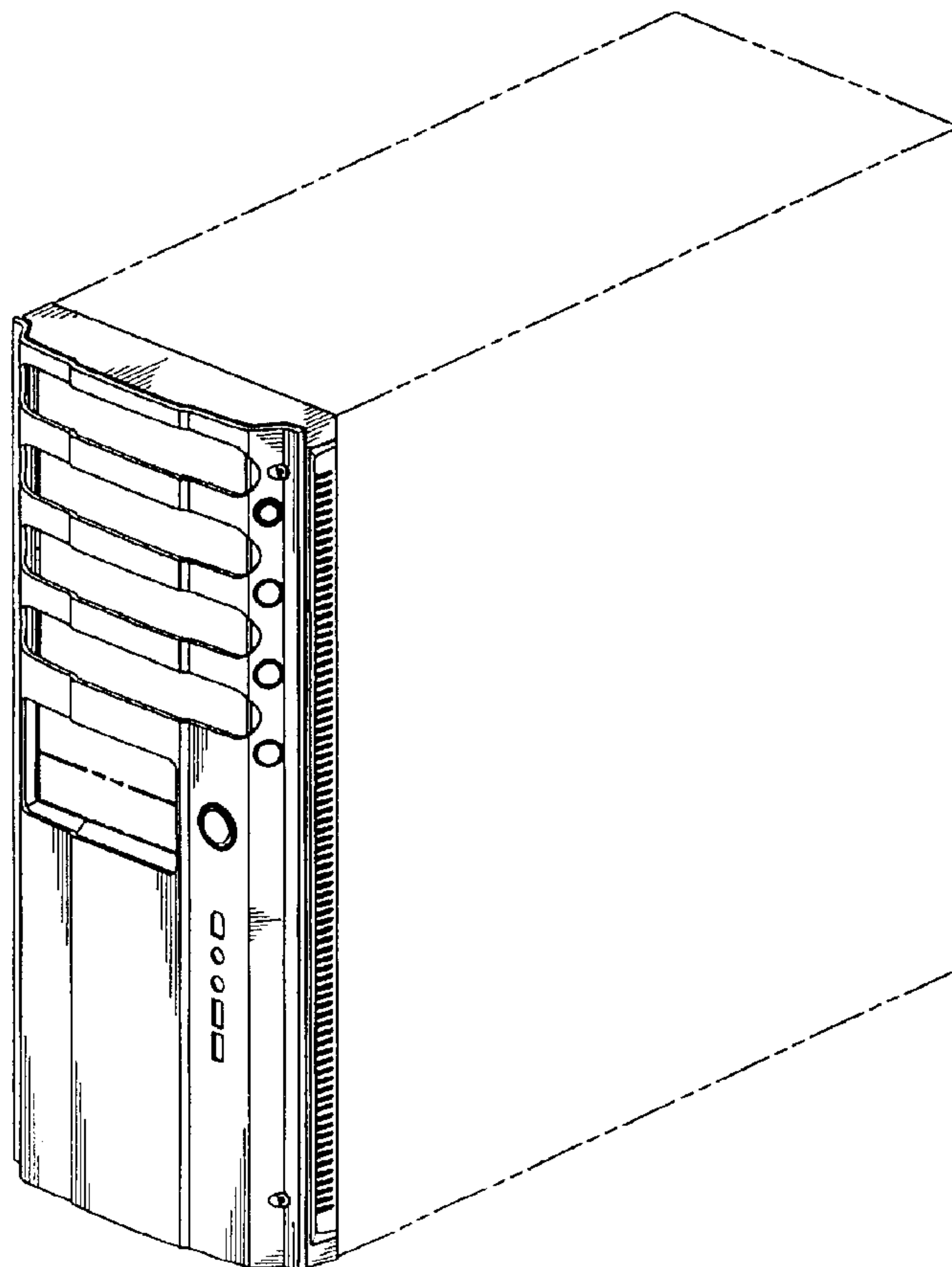
FIG. 5 is a right side elevational view thereof;

FIG. 6 is a top plan view thereof;

FIG. 7 is a bottom plan view thereof; and,

FIG. 8 is a perspective view thereof being mounted to a computer case which is shown in broken lines for illustrative purposes only and forms no part of the claimed design.

1 Claim, 6 Drawing Sheets



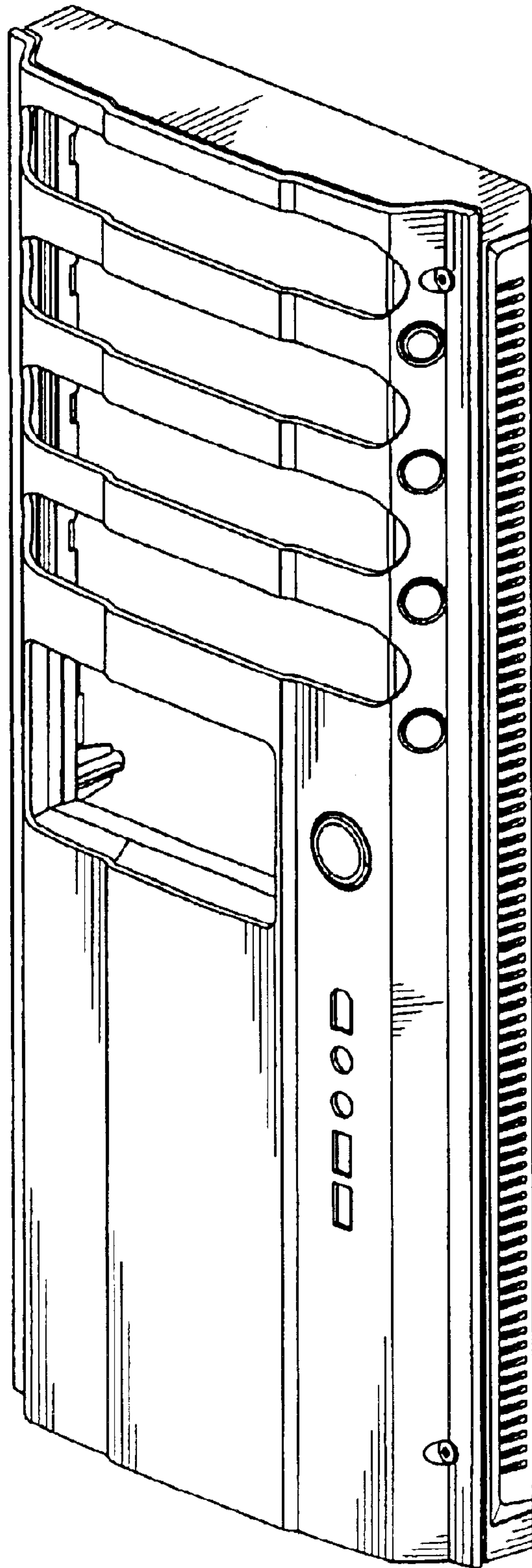


FIG. 1

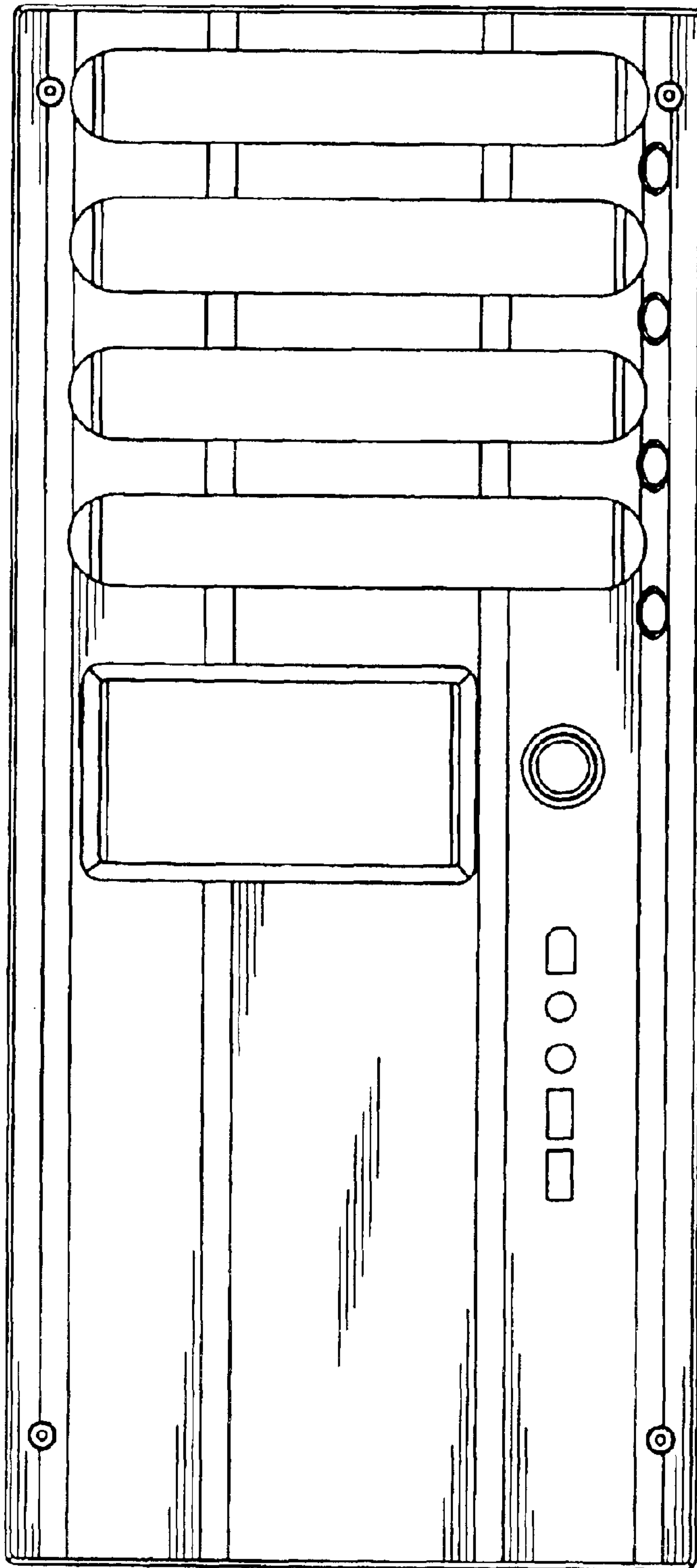


FIG. 2

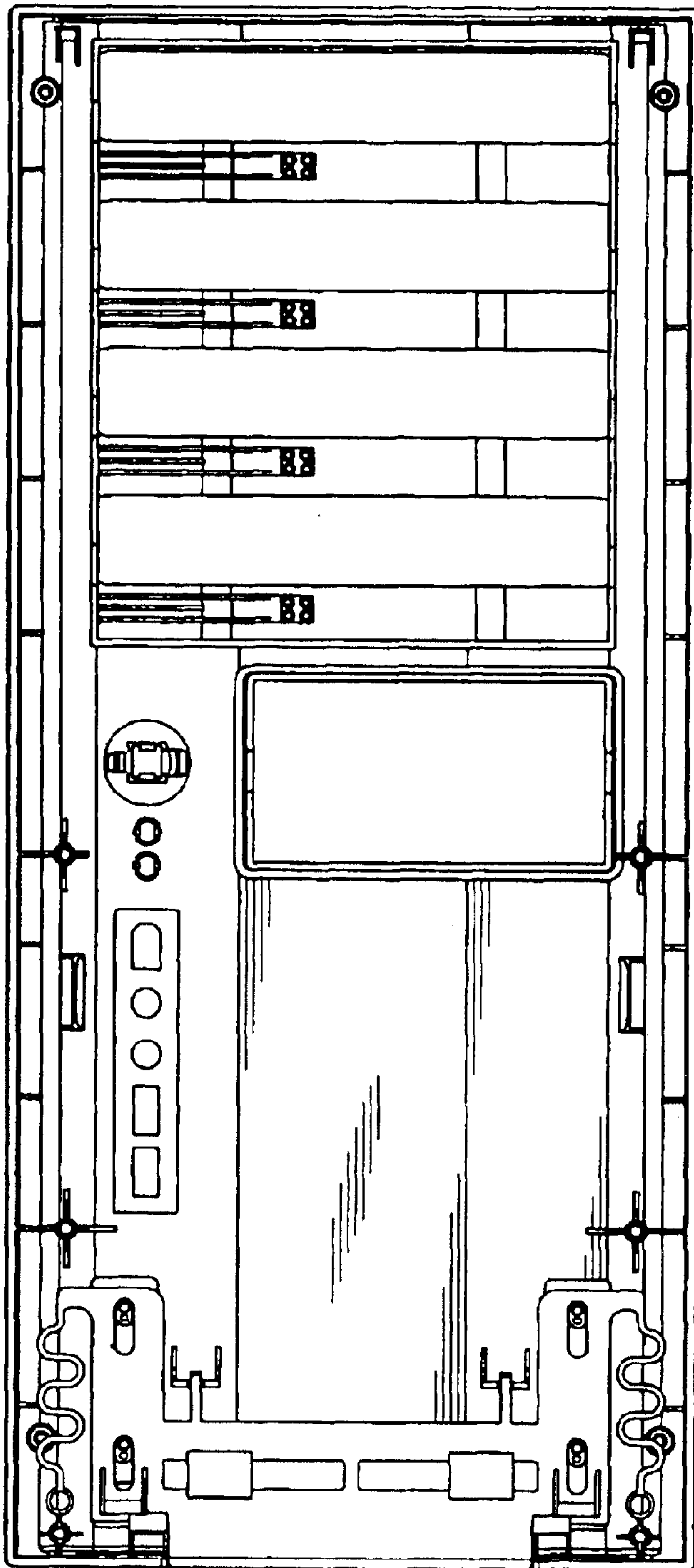


FIG. 3

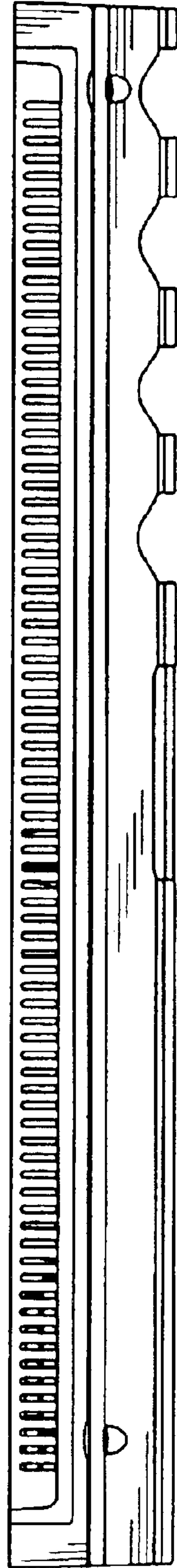


FIG. 4

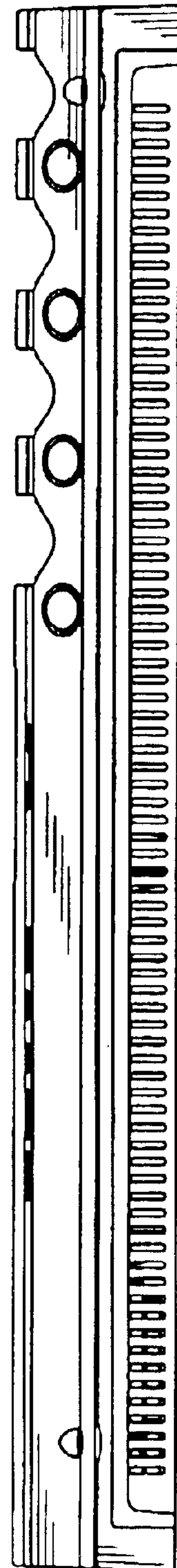


FIG. 5

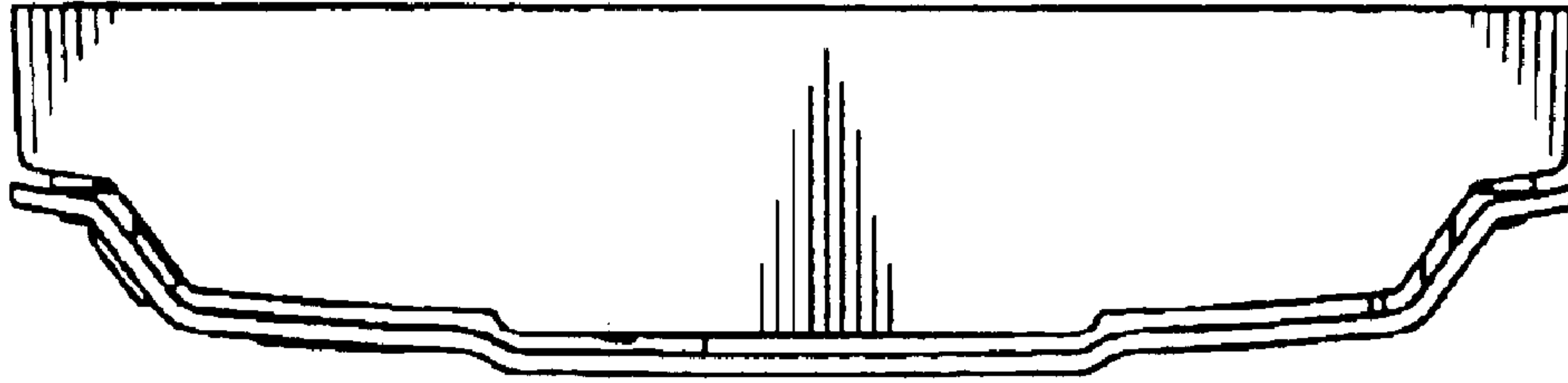


FIG. 6

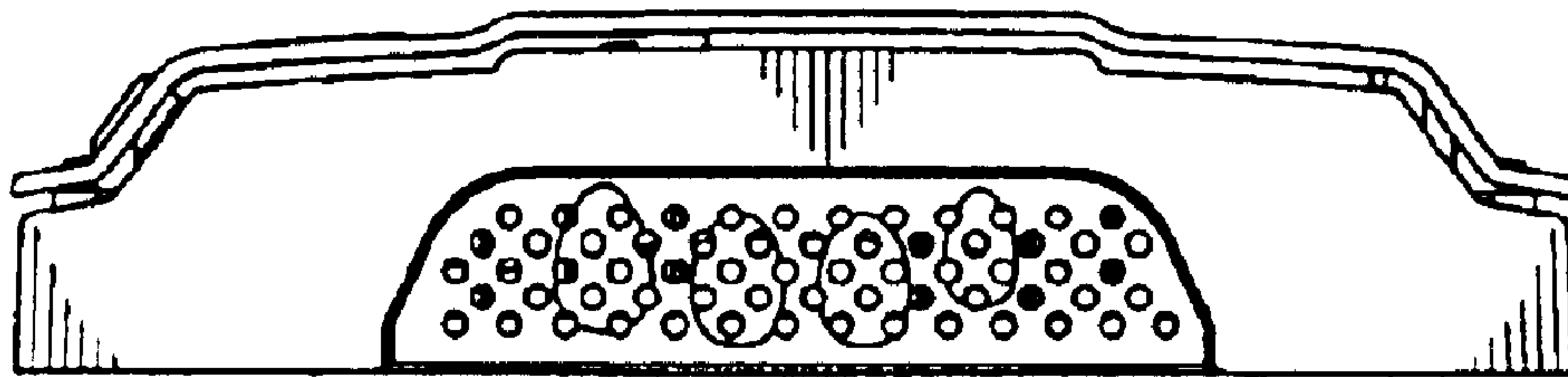


FIG. 7

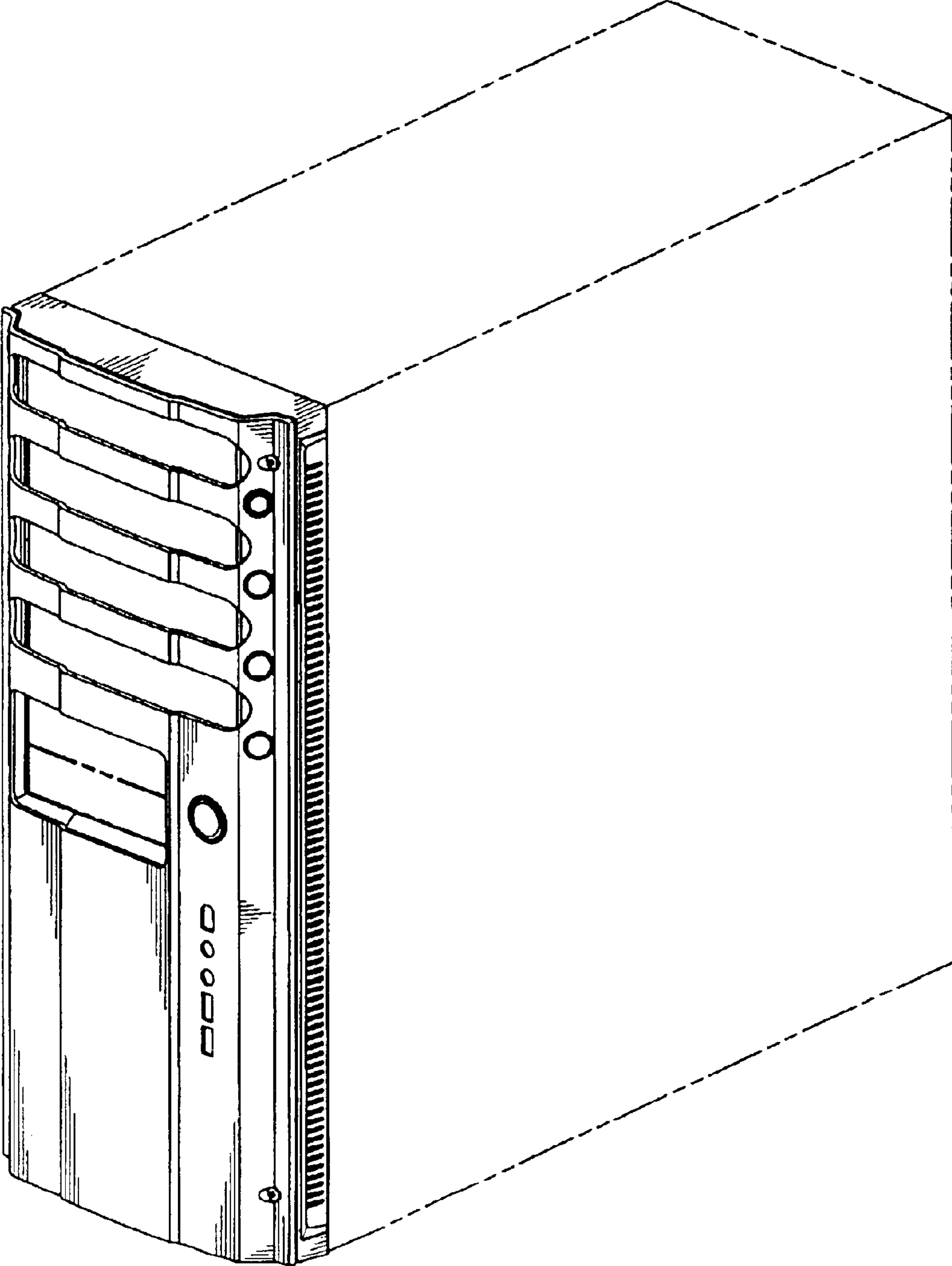


FIG. 8