

US00D499100S

(12) **United States Design Patent**  
Neel et al.

(10) **Patent No.:** **US D499,100 S**  
(45) **Date of Patent:** **\*\* Nov. 30, 2004**

(54) **REMOVABLE MEMORY MODULE FOR A METER**

(75) Inventors: **Gary T. Neel**, Weston, FL (US); **Allan Javier Caban**, Lakeworth, FL (US); **David K. Boehm**, Lauderhill, FL (US)

(73) Assignee: **Home Diagnostics, Inc.**, Fort Lauderdale, FL (US)

(\*\*) Term: **14 Years**

(21) Appl. No.: **29/183,323**

(22) Filed: **Jun. 10, 2003**

(51) **LOC (7) Cl.** ..... **14-02**

(52) **U.S. Cl.** ..... **D14/435**

(58) **Field of Search** ..... D14/435-38, 478-80; 361/736-7, 686, 752; 257/678-9; 40/124.01; 283/75-6, 901; 235/487-95, 441-2, 443, 375; 174/52.1; 439/135, 140, 76.1; D8/347

(56) **References Cited**

**U.S. PATENT DOCUMENTS**

5,053,199 A	10/1991	Keiser et al.	
5,366,609 A	11/1994	White et al.	
5,872,713 A	2/1999	Douglas et al.	
D413,879 S	* 9/1999	Wu	D14/436
6,074,616 A	6/2000	Buechler et al.	
6,106,780 A	8/2000	Douglas et al.	
D434,417 S	* 11/2000	Lin	D14/435
D444,473 S	7/2001	Okamoto et al.	
D445,096 S	7/2001	Wallace	
D445,111 S	7/2001	Okamoto et al.	
D446,525 S	8/2001	Okamoto et al.	
6,315,951 B1	11/2001	Markart	
D452,243 S	12/2001	Wallace	
D452,690 S	1/2002	Wallace et al.	
D452,864 S	1/2002	Wallace et al.	
D452,865 S	1/2002	Wallace et al.	
D453,934 S	2/2002	Wallace et al.	
D459,355 S	6/2002	Shimoda et al.	
D460,456 S	7/2002	Shimoda et al.	

D467,586 S	12/2002	Shimoda et al.	
D473,234 S	* 4/2003	Hussaini et al.	D14/436
D474,774 S	5/2003	Taniguchi et al.	
D475,055 S	5/2003	Taniguchi et al.	
D475,056 S	5/2003	Taniguchi et al.	
D475,711 S	6/2003	Taniguchi et al.	
D475,712 S	6/2003	Taniguchi et al.	
D475,713 S	6/2003	Taniguchi et al.	
D475,714 S	6/2003	Taniguchi et al.	
D476,011 S	6/2003	Taniguchi et al.	
D476,012 S	6/2003	Taniguchi et al.	
D478,087 S	* 8/2003	Aldridge	D14/433
D478,127 S	* 8/2003	Nishikawa	D21/332
D482,025 S	* 11/2003	Laity et al.	D14/436
D486,482 S	* 2/2004	Huang	D14/436

\* cited by examiner

*Primary Examiner*—M. H. Tung

(74) *Attorney, Agent, or Firm*—Finnegan, Henderson, Farabow, Garrett & Dunner, LLP

(57) **CLAIM**

The ornamental design for a removable memory module for a meter, as shown and described.

**DESCRIPTION**

FIG. 1 is a perspective view of a removable memory module for a meter;

FIG. 2 is a top view of the removable memory module of FIG. 1;

FIG. 3 is a bottom view of the removable memory module of FIG. 1;

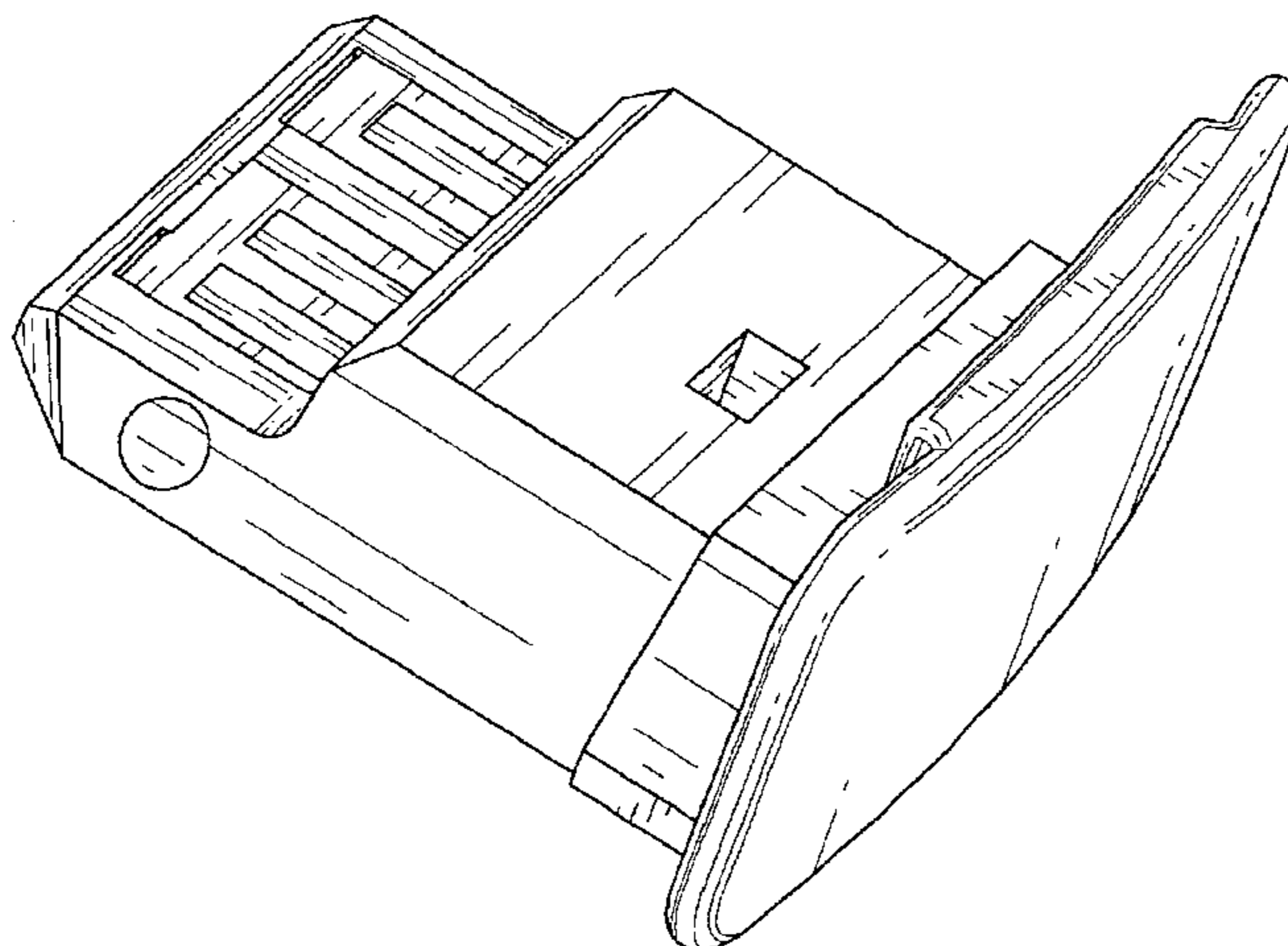
FIG. 4 is a left view of the removable memory module of FIG. 1;

FIG. 5 is right view of the removable memory module of FIG. 1;

FIG. 6 is front view of the removable memory module of FIG. 1; and,

FIG. 7 is rear view of the removable memory module of FIG. 1.

**1 Claim, 7 Drawing Sheets**



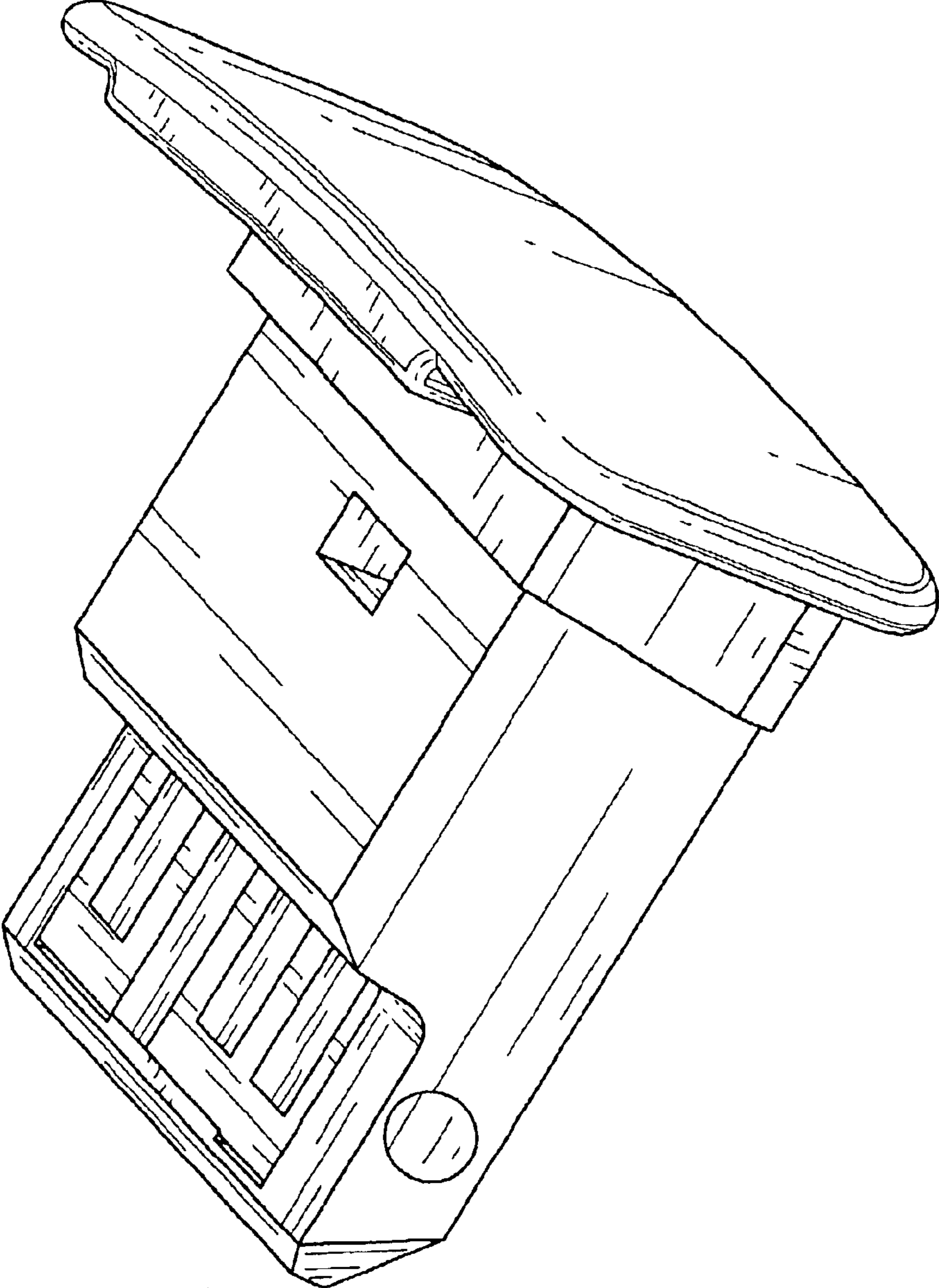


FIG. 1

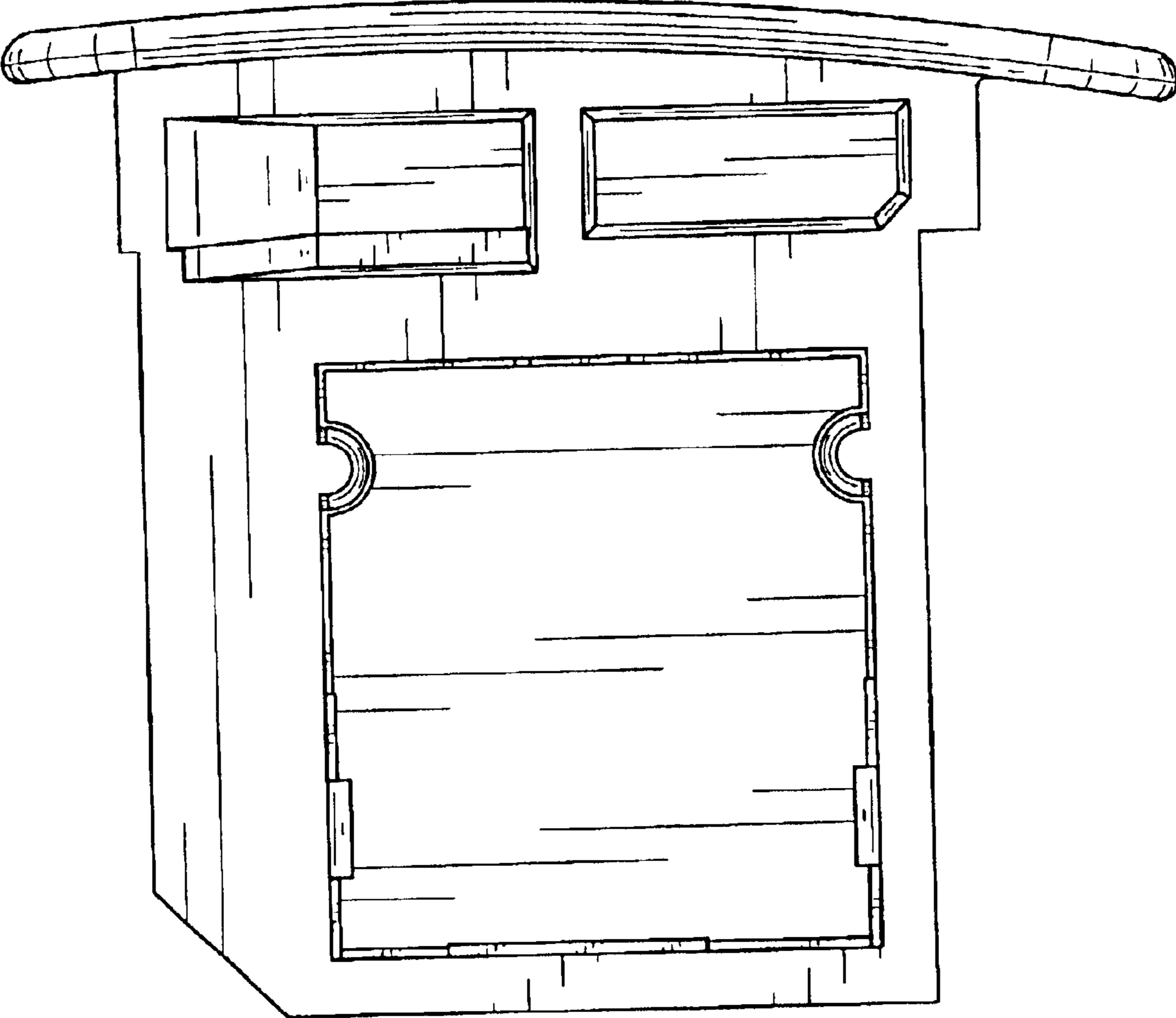


FIG. 2

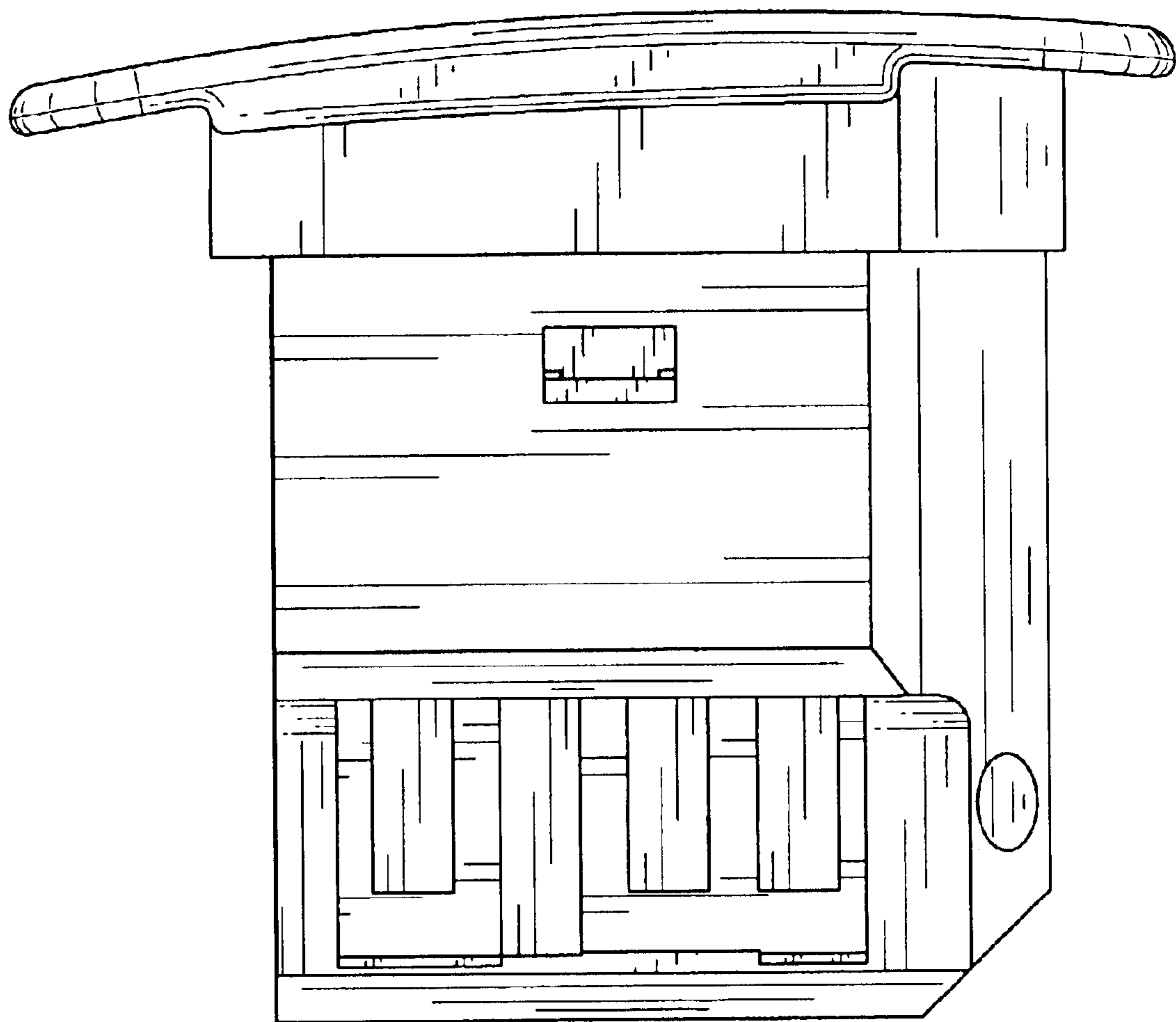


FIG. 3

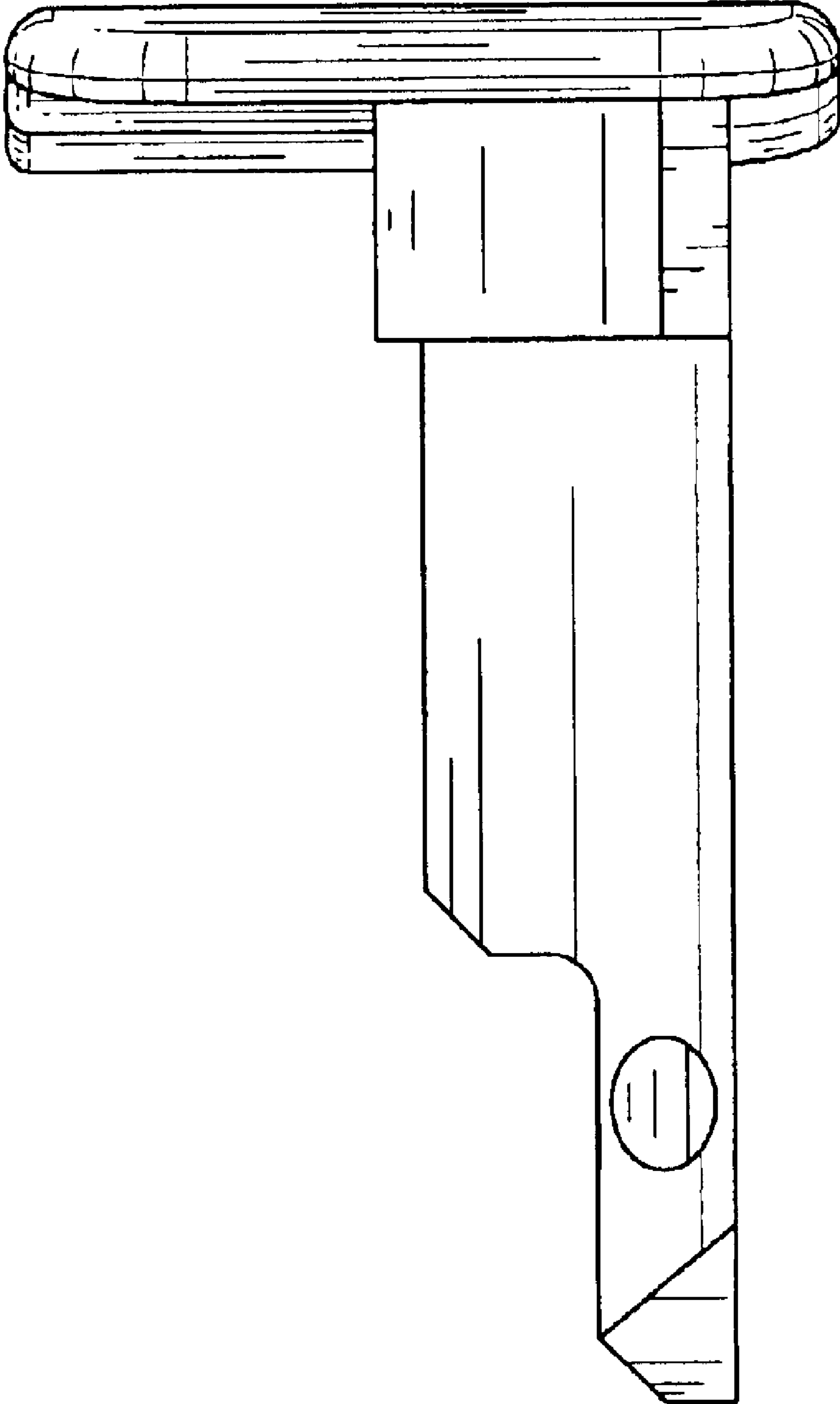


FIG. 4

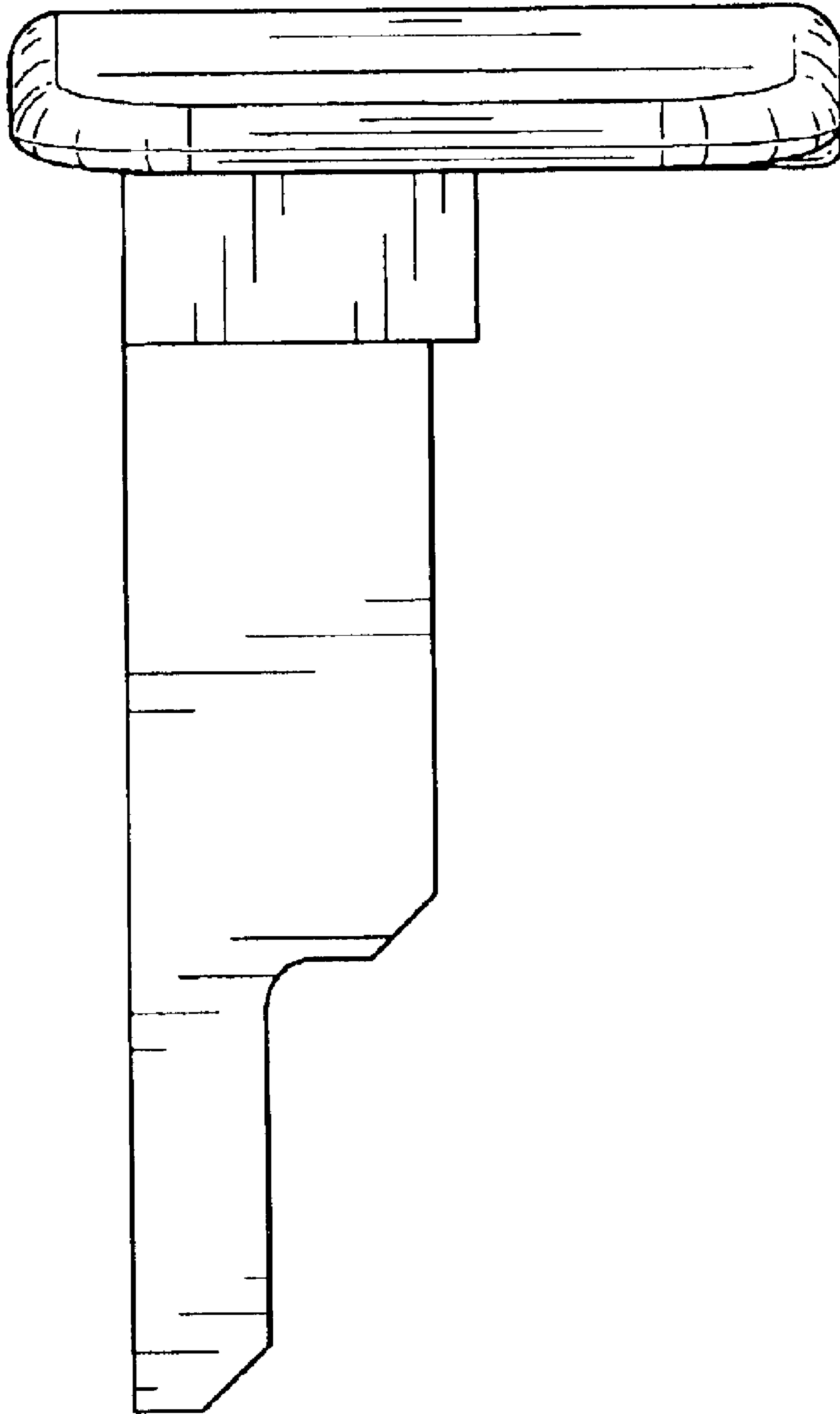


FIG. 5

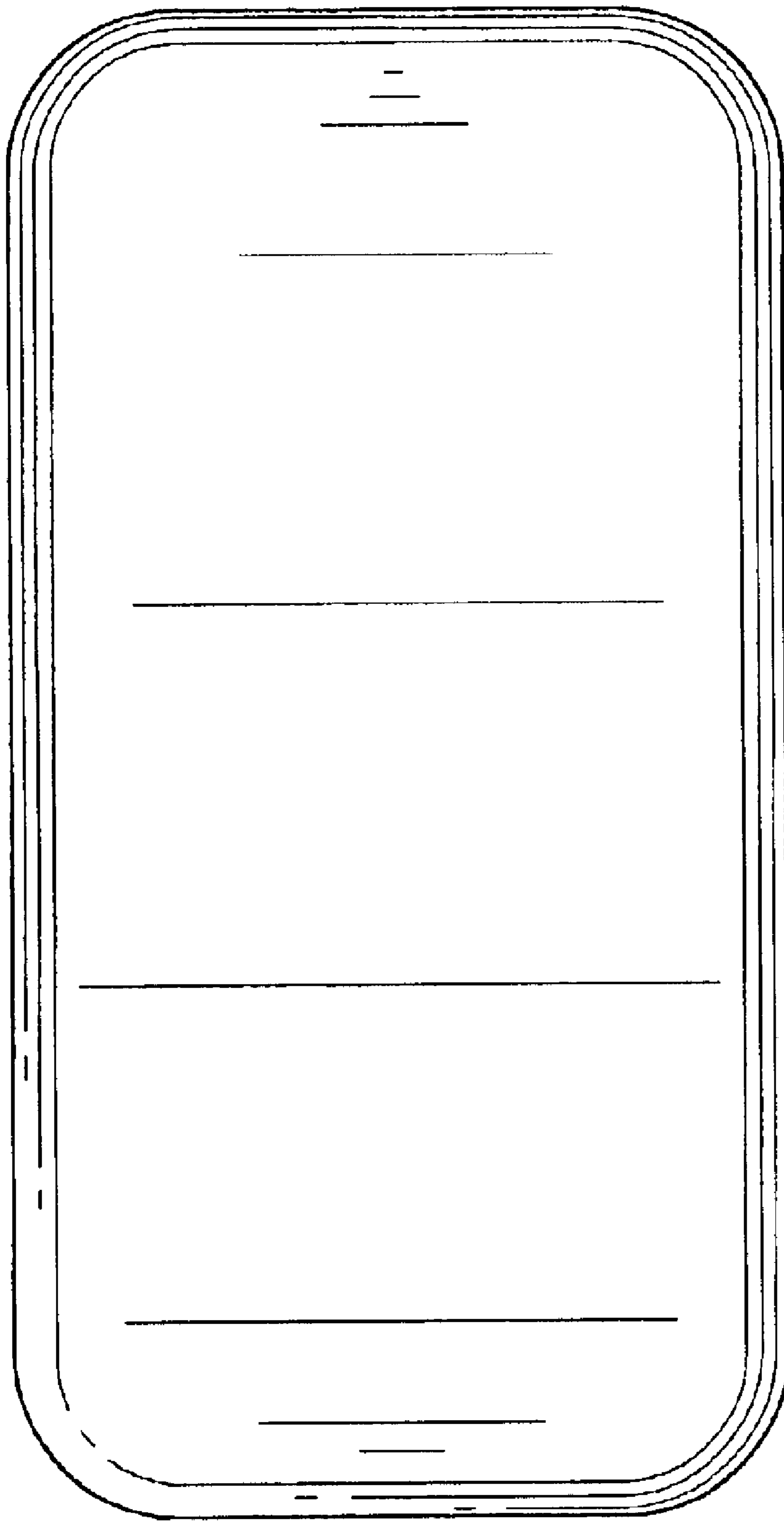


FIG. 6

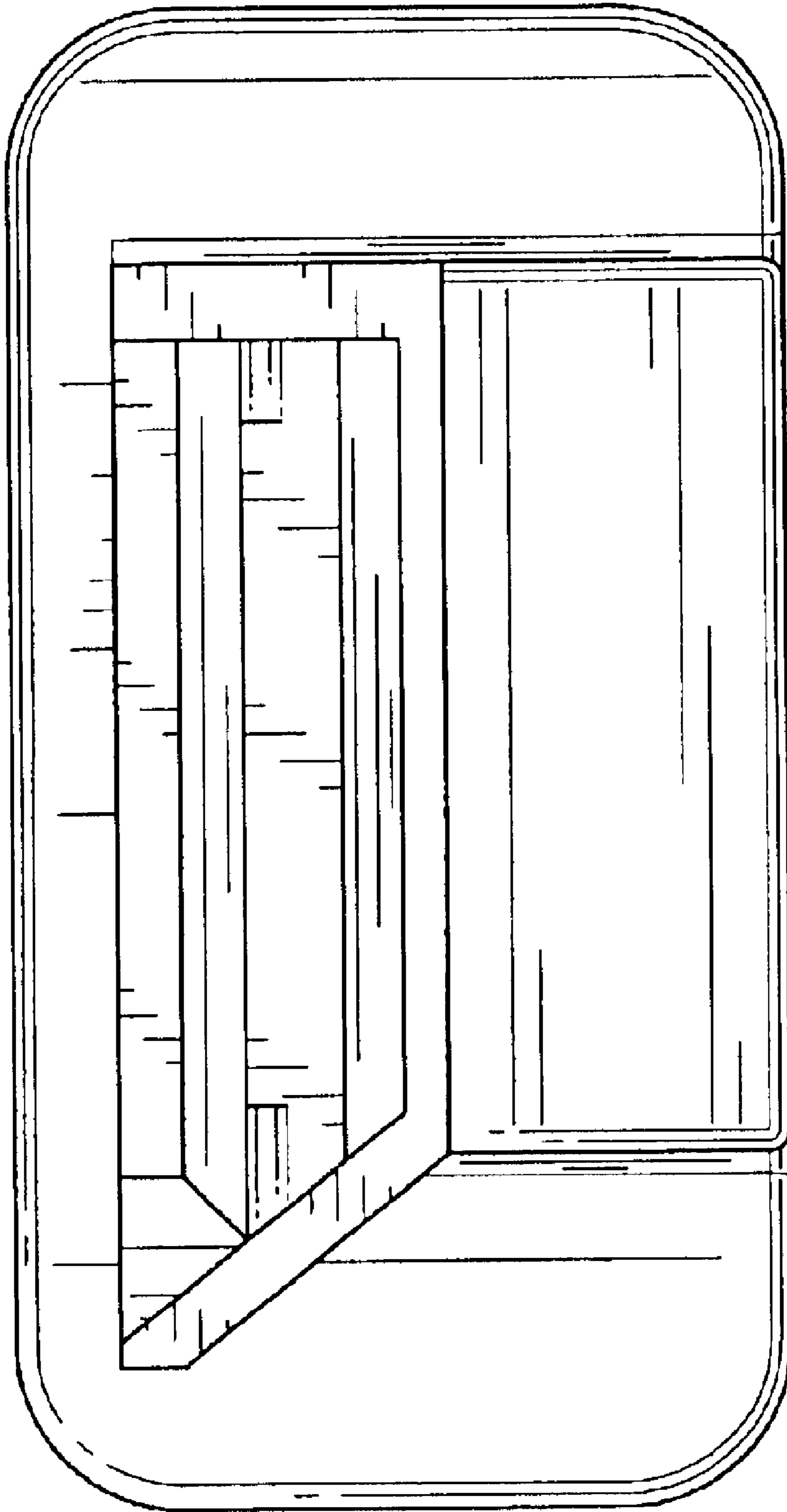


FIG. 7