

US00D499098S

(12) **United States Design Patent**
Ta

(10) **Patent No.:** **US D499,098 S**

(45) **Date of Patent:** **** Nov. 30, 2004**

(54) **LIQUID CRYSTAL DISPLAY**

D465,490 S * 11/2002 Wei D14/374
D482,033 S * 11/2003 Duan D14/371

(75) Inventor: **Hsieh Hung Ta, Tao-Yuan Hsien (TW)**

* cited by examiner

(73) Assignee: **Hannstar Display Corp., Yao-Yuan Hsien (TW)**

Primary Examiner—Freda S. Nunn

(**) Term: **14 Years**

(57) **CLAIM**

(21) Appl. No.: **29/199,455**

The ornamental design for a liquid crystal display, as shown and described.

(22) Filed: **Feb. 13, 2004**

DESCRIPTION

(30) **Foreign Application Priority Data**

Oct. 9, 2003 (TW) 92306192

FIG. 1 is a perspective view of a liquid crystal display of my design;

(51) **LOC (7) Cl.** **14-02**

FIG. 2 is a right side elevational view of the liquid crystal display of FIG. 1;

(52) **U.S. Cl.** **D14/375**

FIG. 3 is a top plan view of the liquid crystal display of FIG. 1;

(58) **Field of Search** D14/371-375,
D14/125-129; 345/104, 156, 168, 173,
901-905; 348/180, 184, 325, 739; 248/917-924;
341/12; 349/1, 2, 11, 62

FIG. 4 is a front elevational view of the liquid crystal display of FIG. 1;

FIG. 5 is a bottom plan view of the liquid crystal display of FIG. 1;

(56) **References Cited**

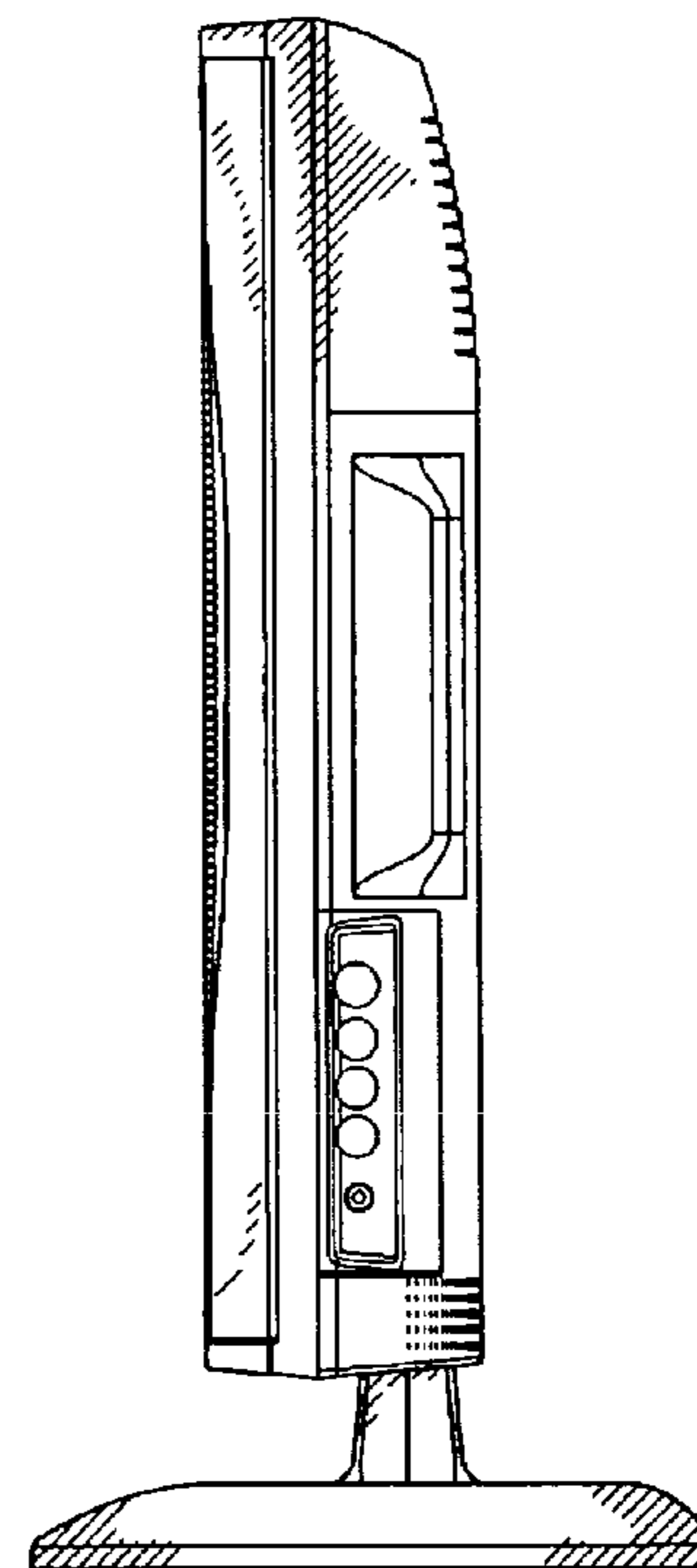
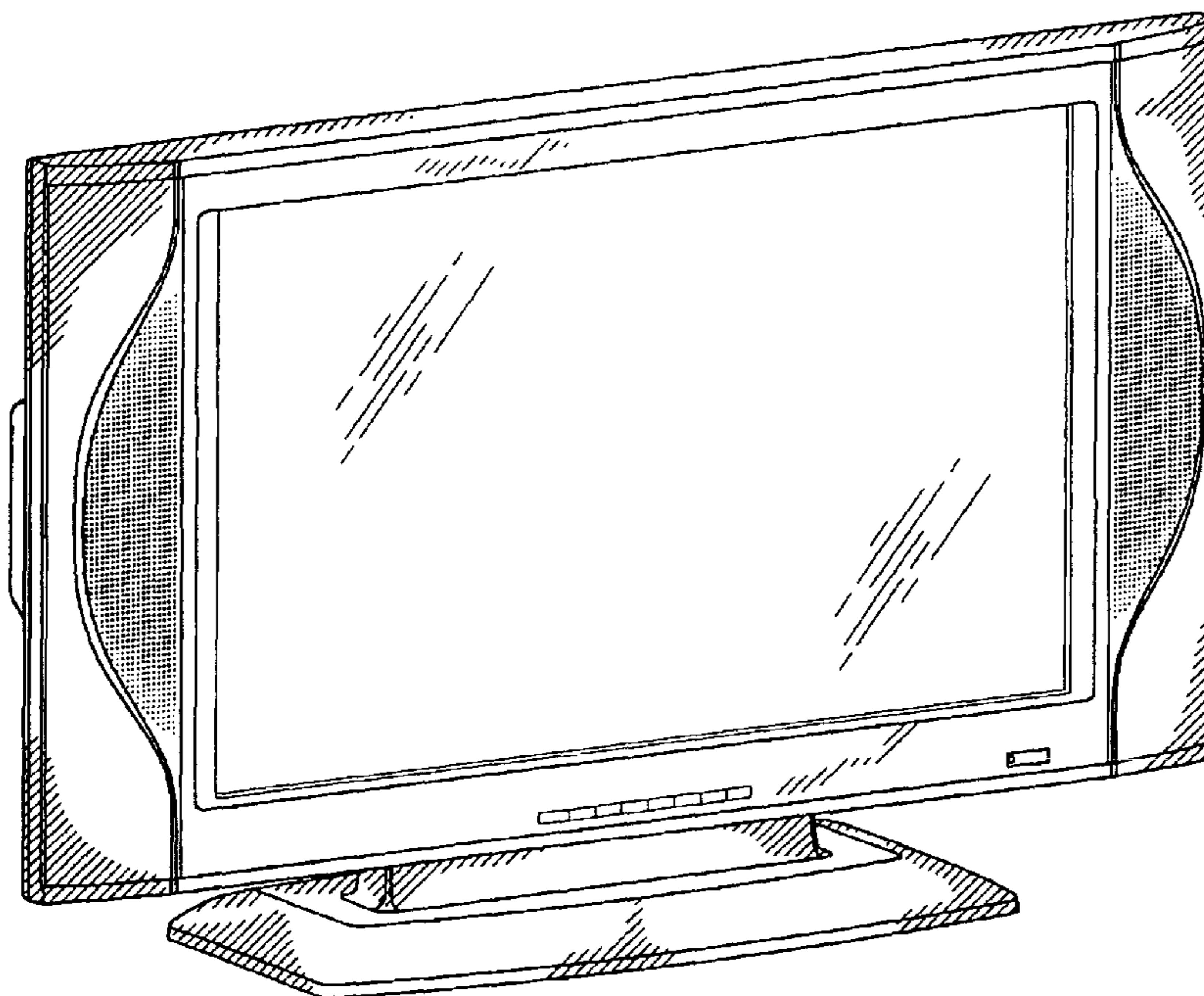
FIG. 6 is a left side elevational view of the liquid crystal display of FIG. 1; and,

U.S. PATENT DOCUMENTS

FIG. 7 is a rear elevational view of the liquid crystal display of FIG. 1.

D417,659 S * 12/1999 Takemasa D14/374
D432,101 S * 10/2000 Oba D14/126

1 Claim, 7 Drawing Sheets



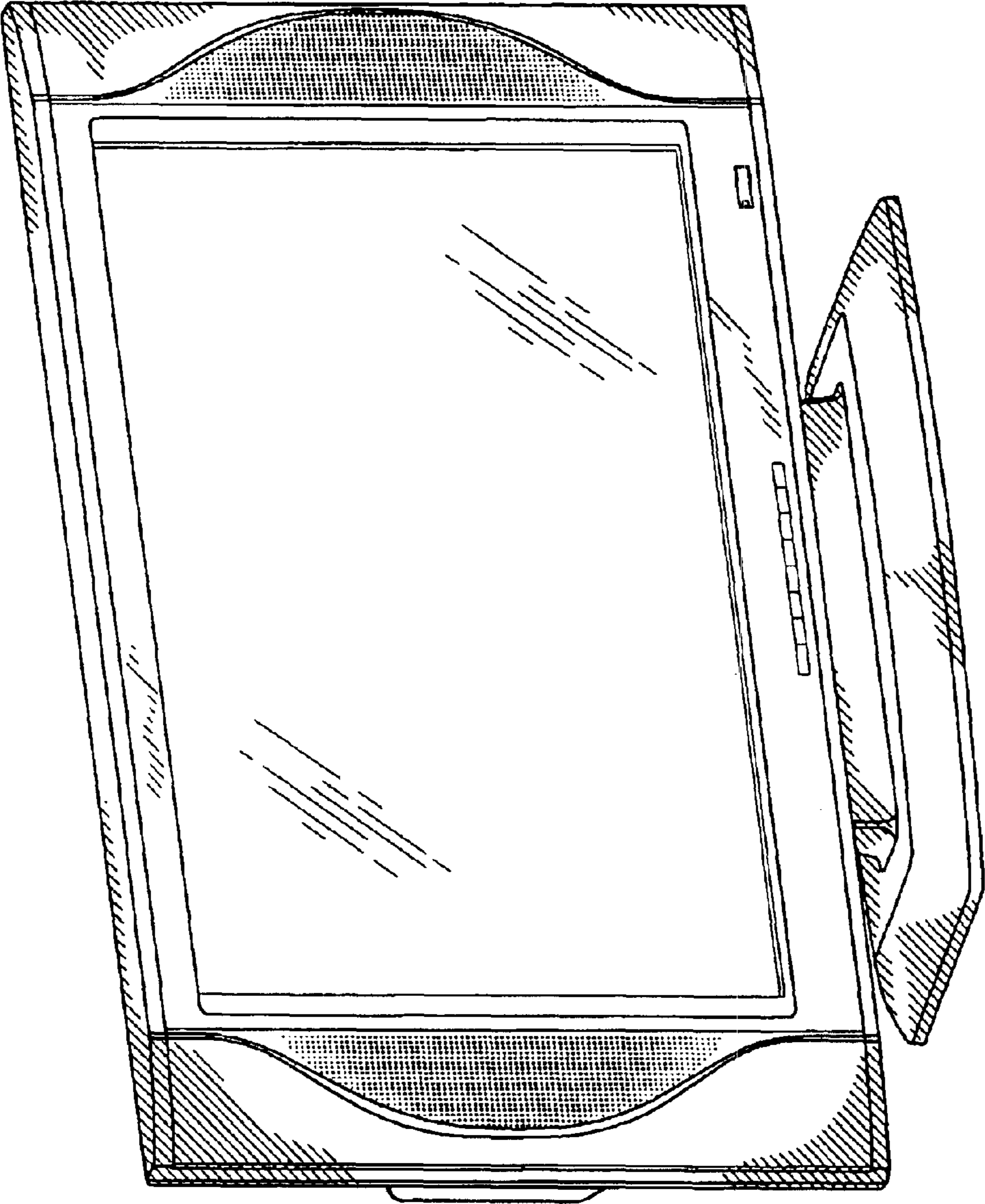


Fig. 1

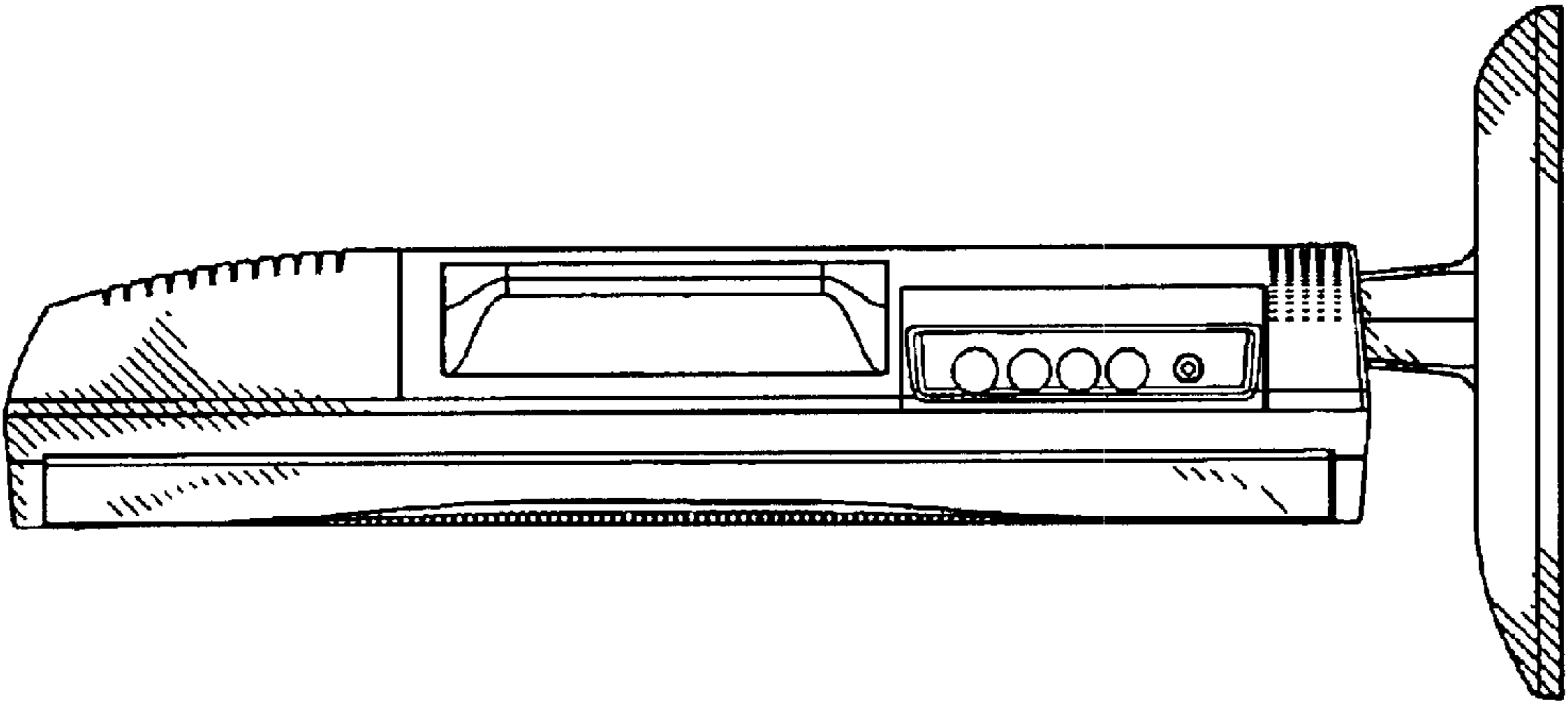


Fig. 2

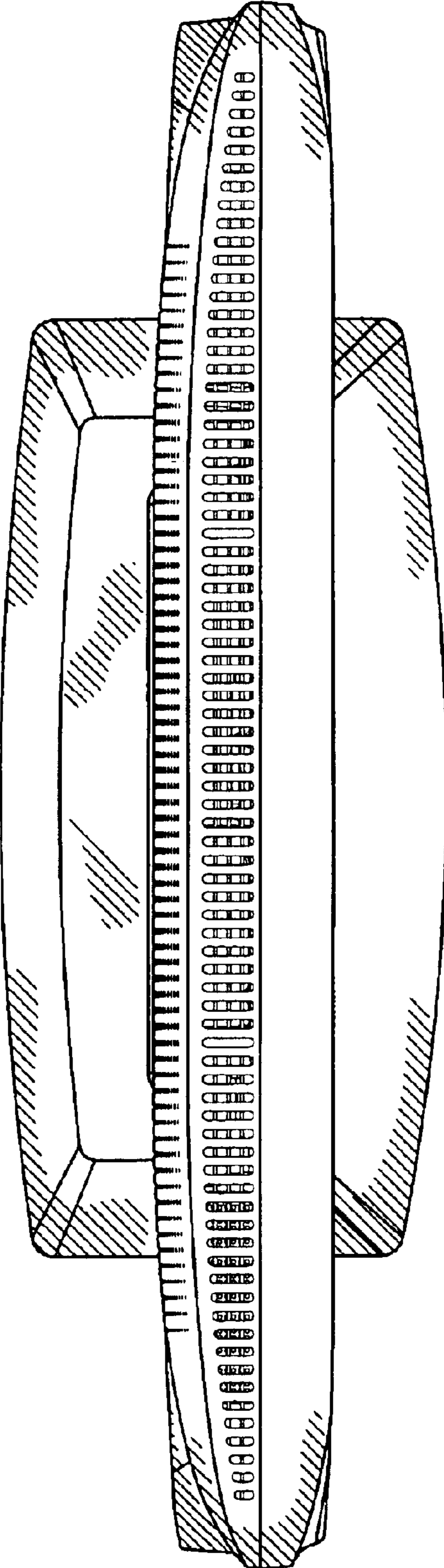


Fig. 3

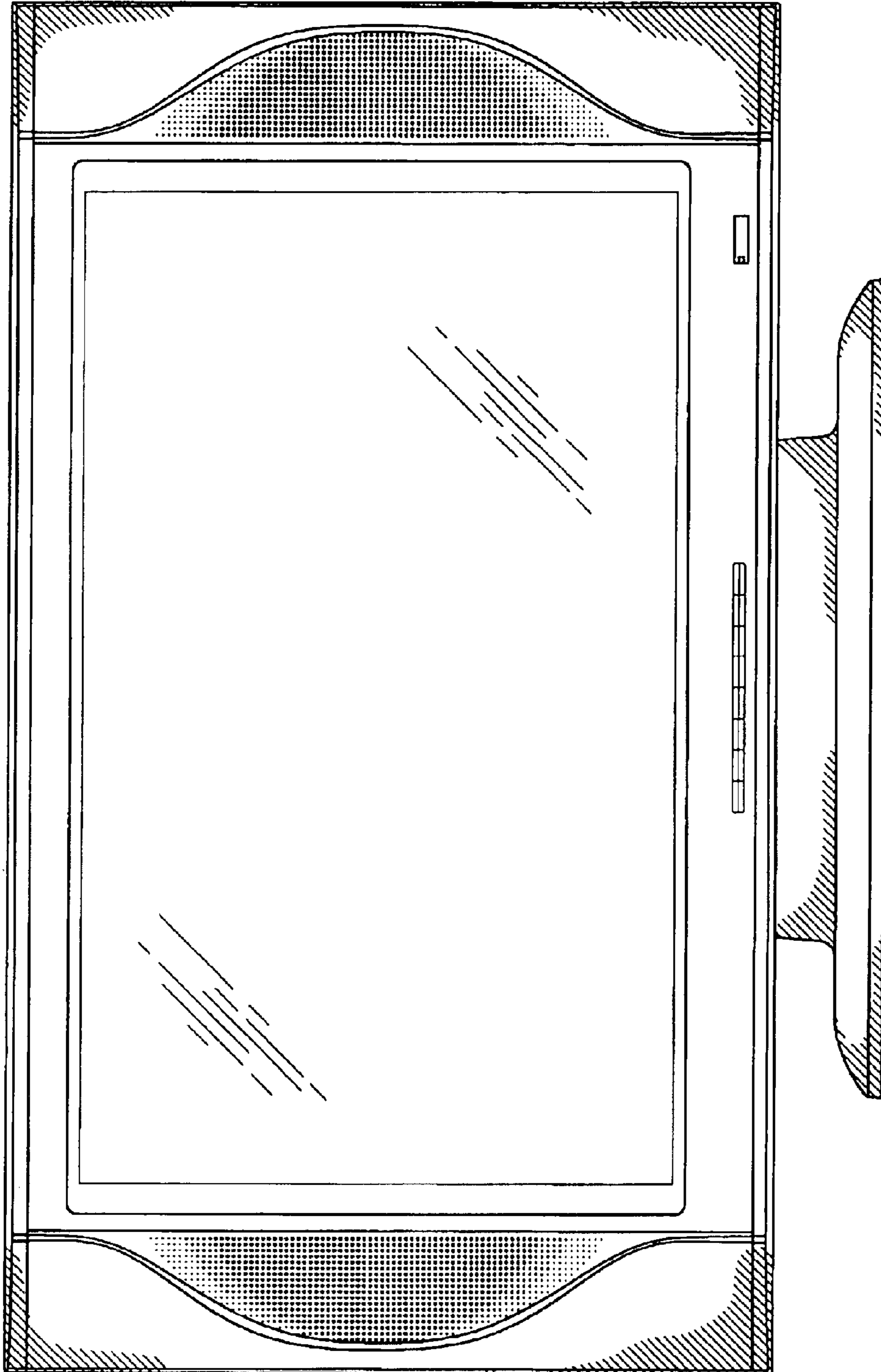


Fig. 4

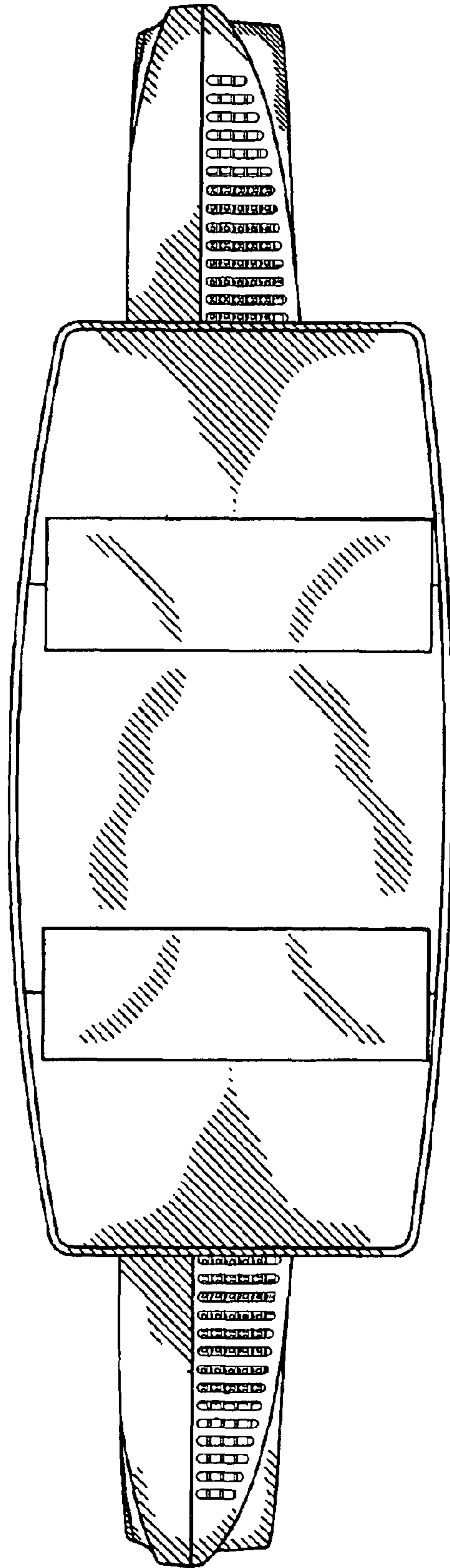


Fig. 5

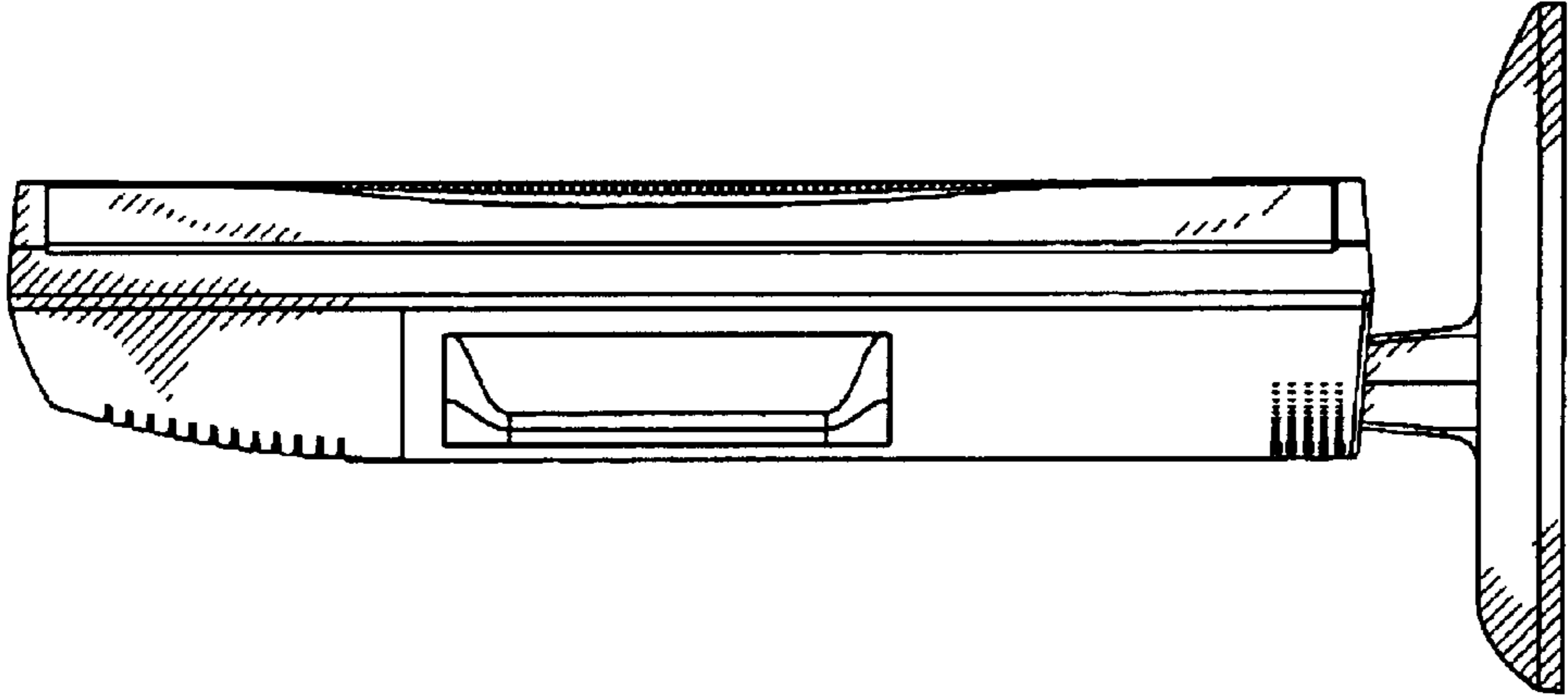


Fig. 6

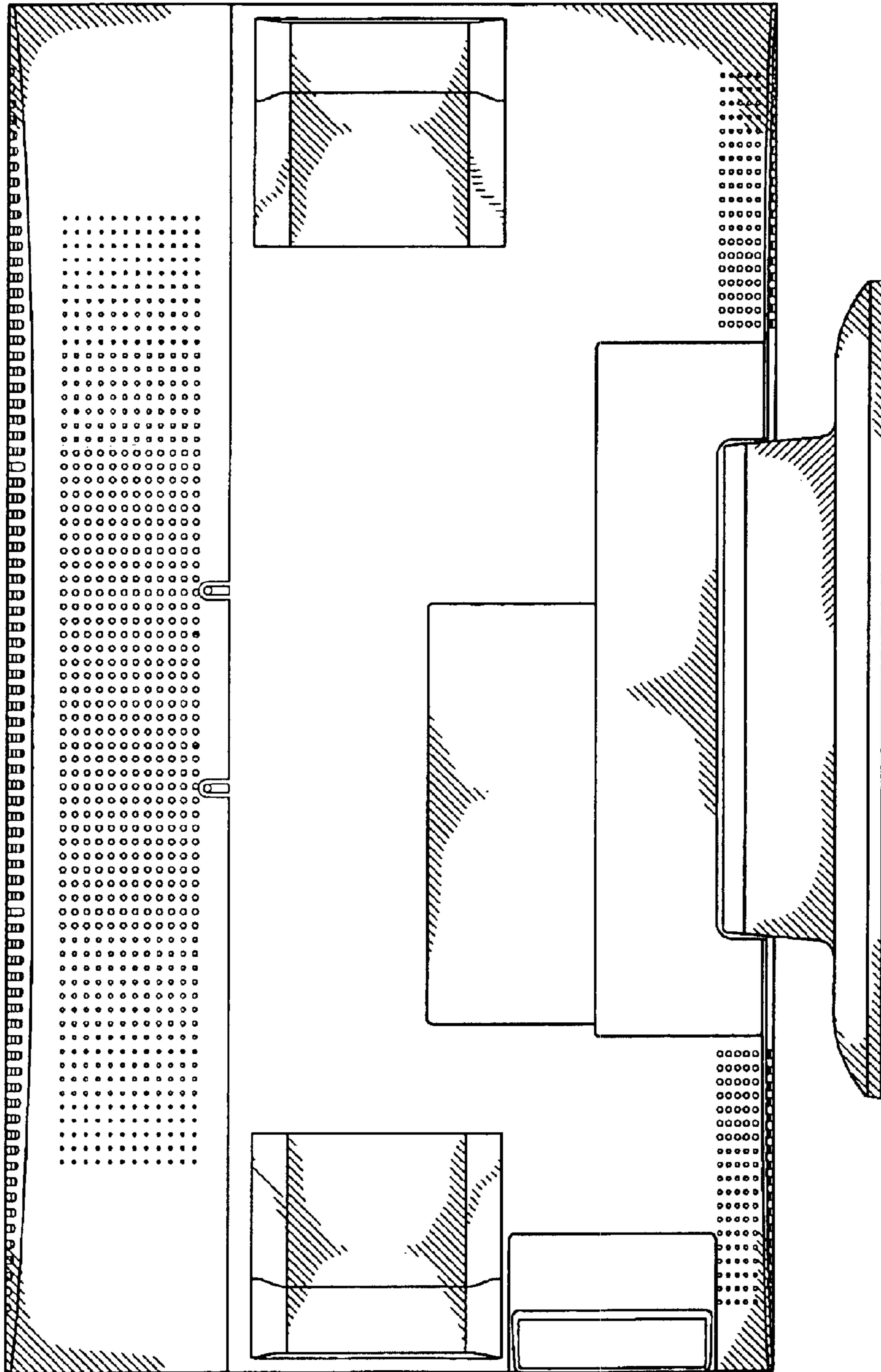


Fig. 7