

US00D499097S

(12) **United States Design Patent**  
**Tsuji et al.**

(10) **Patent No.:** **US D499,097 S**  
(45) **Date of Patent:** **\*\* Nov. 30, 2004**

(54) **LIQUID CRYSTAL DISPLAY MONITOR FOR A COMPUTER**

(75) Inventors: **Kensho Tsuji, Nara (JP); Yoichi Tanimura, Nara (JP)**

(73) Assignee: **Sharp Kabushiki Kaisha, Osaka (JP)**

(\*\*) Term: **14 Years**

(21) Appl. No.: **29/195,377**

(22) Filed: **Dec. 11, 2003**

(30) **Foreign Application Priority Data**

Jun. 13, 2003 (JP) ..... 2003-016677

(51) **LOC (7) Cl.** ..... **14-02**

(52) **U.S. Cl.** ..... **D14/375**

(58) **Field of Search** ..... D14/371-375,  
D14/125-129; 345/104, 156, 168, 173,  
901-905, 87; 348/180, 184, 325, 739; 349/1,  
2, 11, 62; 248/917-924

(56) **References Cited**

**U.S. PATENT DOCUMENTS**

- D336,645 S 6/1993 Saito et al.
- D337,113 S 7/1993 Saito et al.
- D342,497 S 12/1993 Saito et al.
- D342,501 S 12/1993 Saeki et al.
- D342,509 S 12/1993 Saito et al.
- D351,155 S 10/1994 Usami et al.
- D351,156 S 10/1994 Usami et al.
- D357,244 S 4/1995 Usami et al.
- D357,245 S 4/1995 Usami et al.
- D357,472 S 4/1995 Usami et al.
- D369,596 S 5/1996 Akiyama et al.
- D372,026 S 7/1996 Akiyama et al.
- D373,583 S 9/1996 Akiyama et al.
- D417,659 S \* 12/1999 Takemasa ..... D14/374
- D427,169 S 6/2000 Saeki et al.
- D429,227 S 8/2000 Shimizu
- D431,537 S 10/2000 Saeki et al.

- D438,848 S 3/2001 Kita
- D439,224 S 3/2001 Kita
- D439,225 S 3/2001 Kita
- D446,519 S \* 8/2001 Wu ..... D14/375
- D452,500 S \* 12/2001 Wu ..... D14/375
- D453,022 S \* 1/2002 Oba ..... D14/374
- D453,747 S 2/2002 Kita
- D453,748 S 2/2002 Kita
- D456,370 S 4/2002 Kita
- D458,910 S 6/2002 Kita
- D469,432 S \* 1/2003 Tsuji ..... D14/375

**OTHER PUBLICATIONS**

U.S. patent application Ser. No. 29/187,973, filed Aug. 2003, Kita.

U.S. patent application Ser. No. 29/193,998, filed Nov. 2003, Kita.

U.S. patent application Ser. No. 29/194,701, filed Dec. 2003, Kita.

\* cited by examiner

*Primary Examiner*—Freda S. Nunn

(74) *Attorney, Agent, or Firm*—Nixon & Vanderhye

(57) **CLAIM**

The ornamental design for an “liquid crystal display monitor for a computer”, as shown and described.

**DESCRIPTION**

FIG. 1 is a top, front and right side perspective view of an liquid crystal display monitor for a computer according to our design;

FIG. 2 is a front elevational view thereof;

FIG. 3 is a rear elevational view thereof;

FIG. 4 is a top plan view thereof;

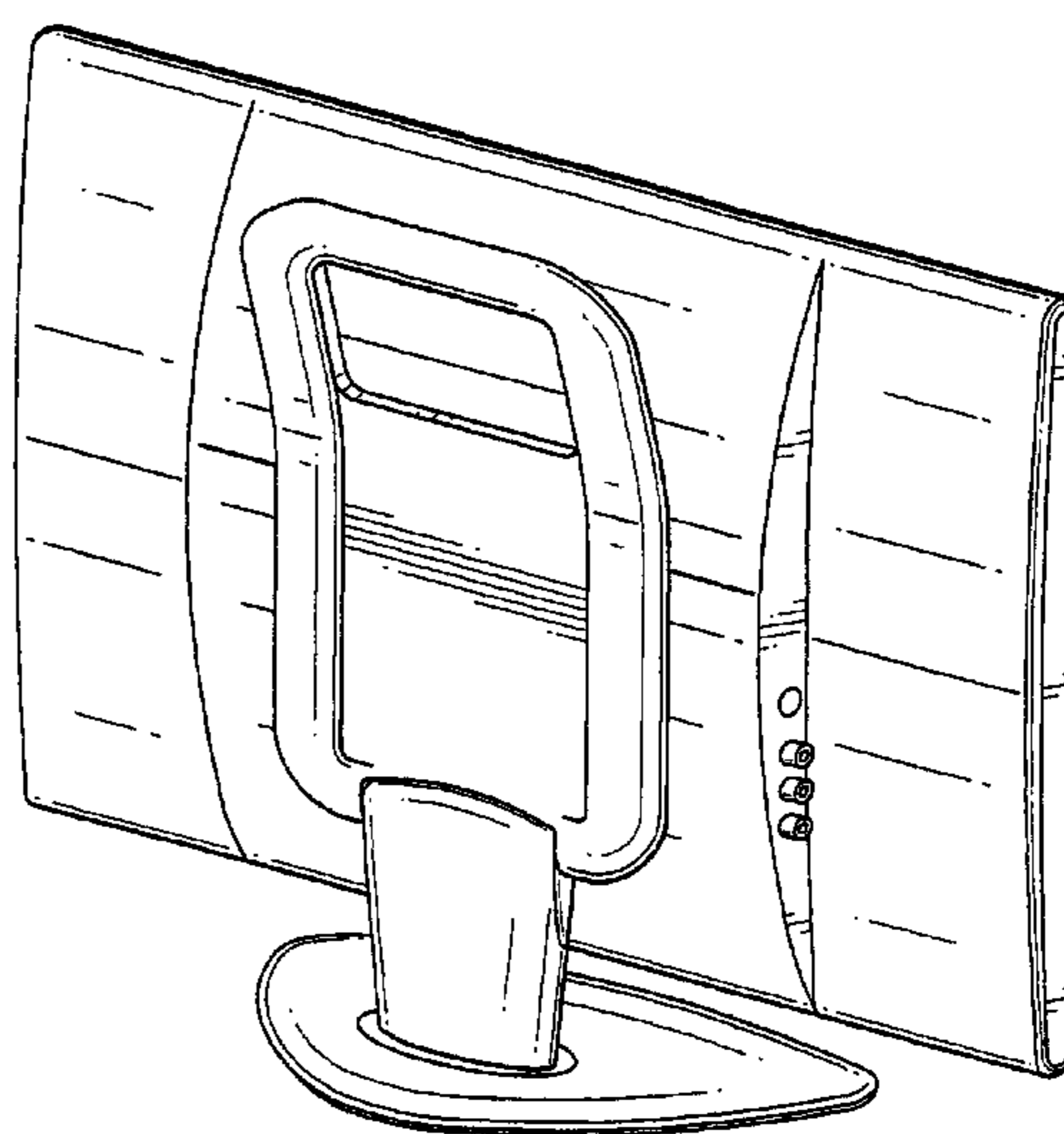
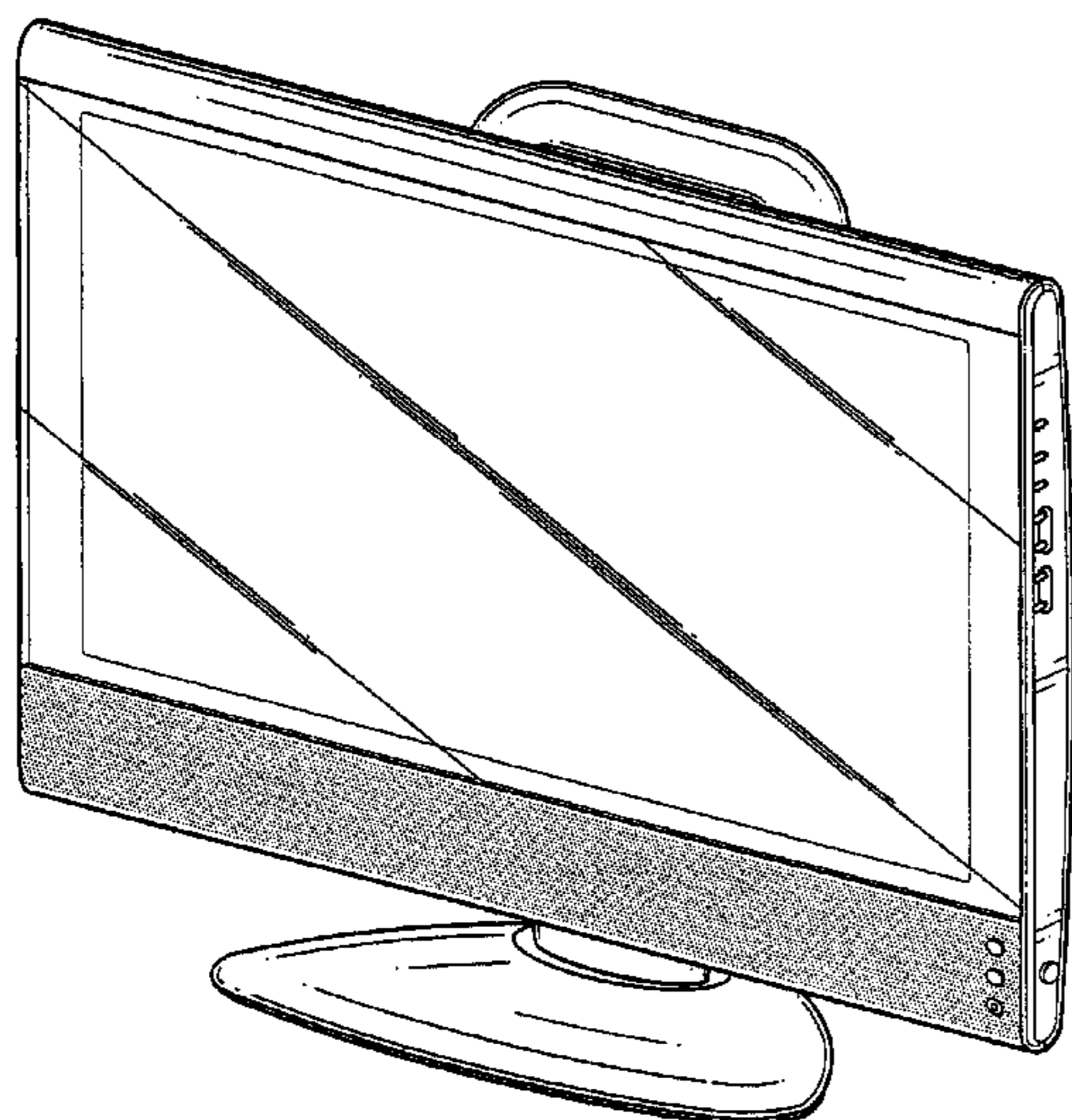
FIG. 5 is a bottom plan view thereof;

FIG. 6 is a right side elevational view thereof;

FIG. 7 is a left side elevational view thereof; and,

FIG. 8 is a top, rear and left side perspective view thereof.

**1 Claim, 6 Drawing Sheets**



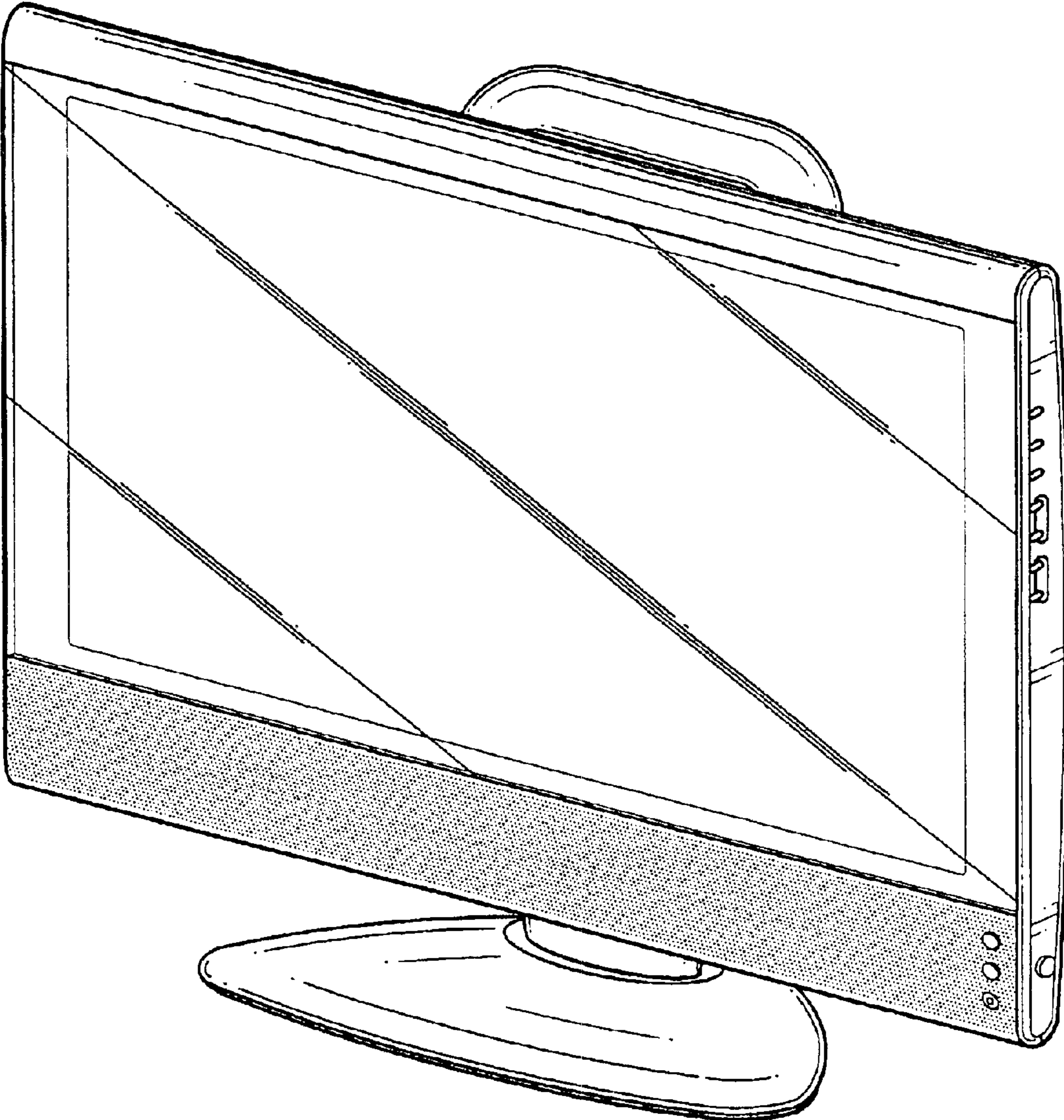


Fig. 1

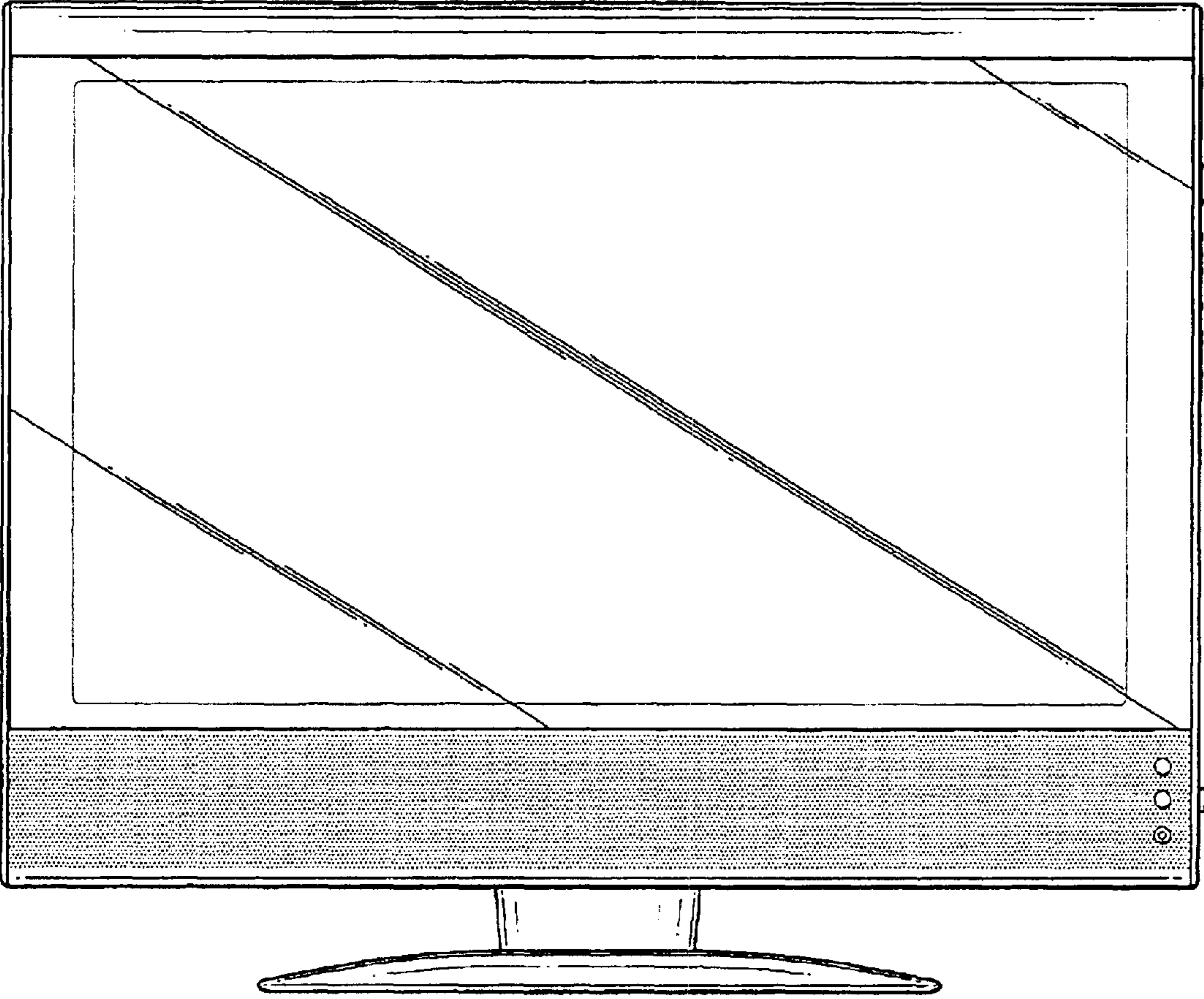


Fig. 2

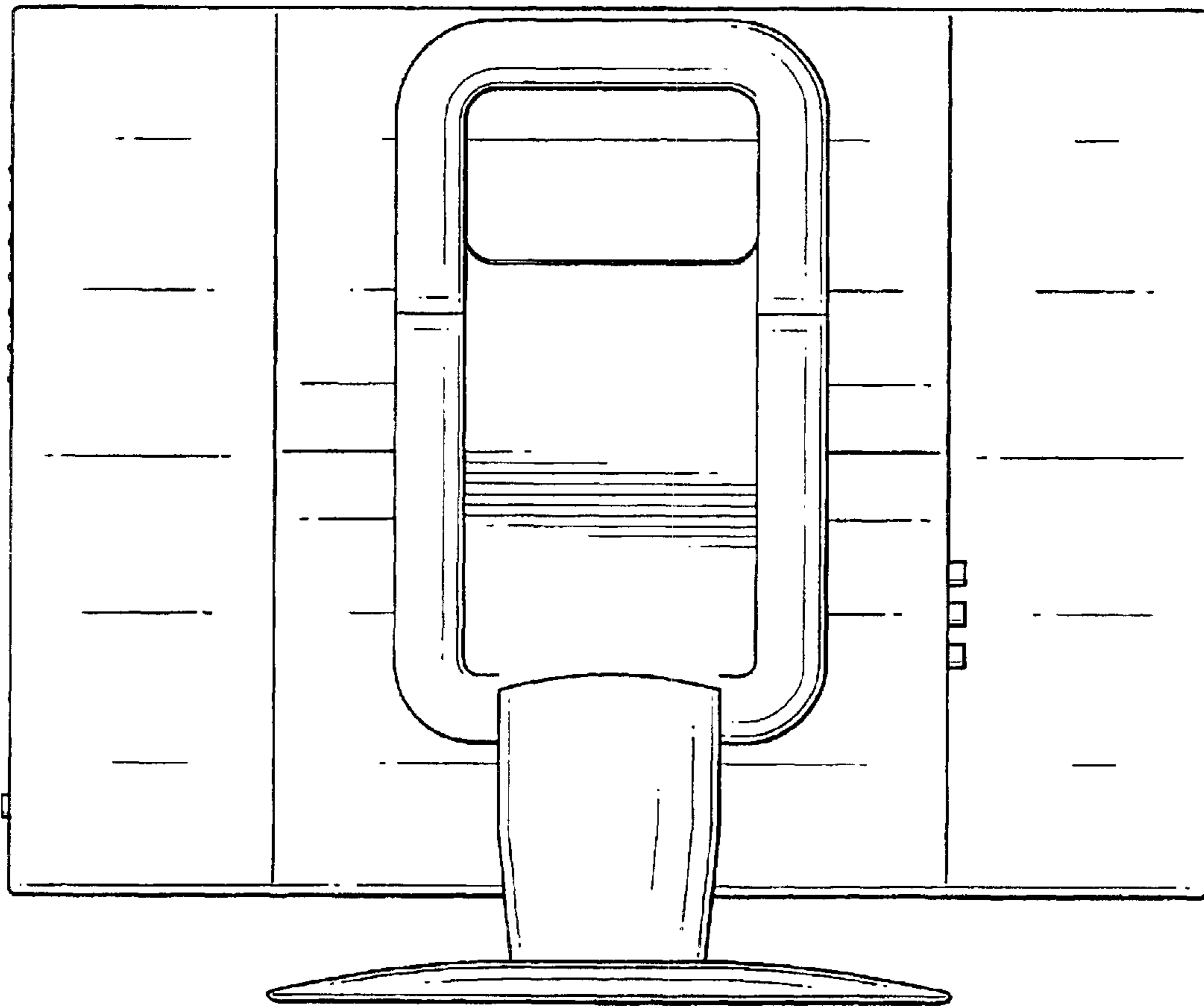


Fig. 3

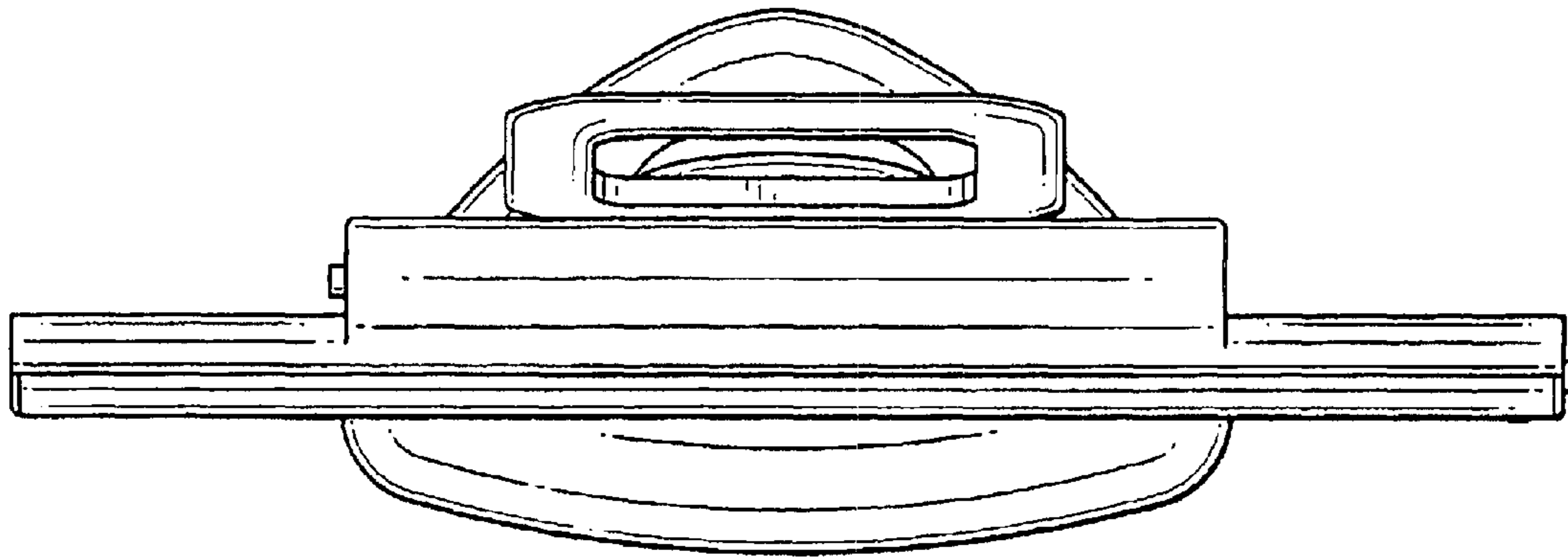


Fig. 4

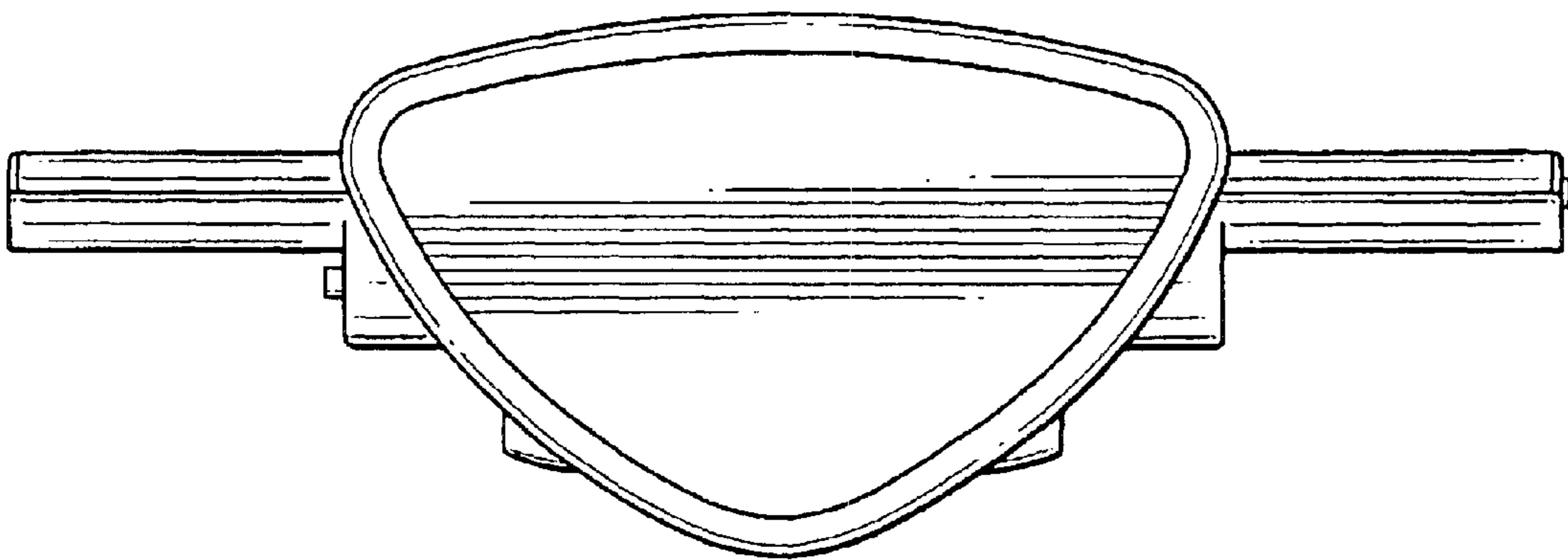


Fig. 5

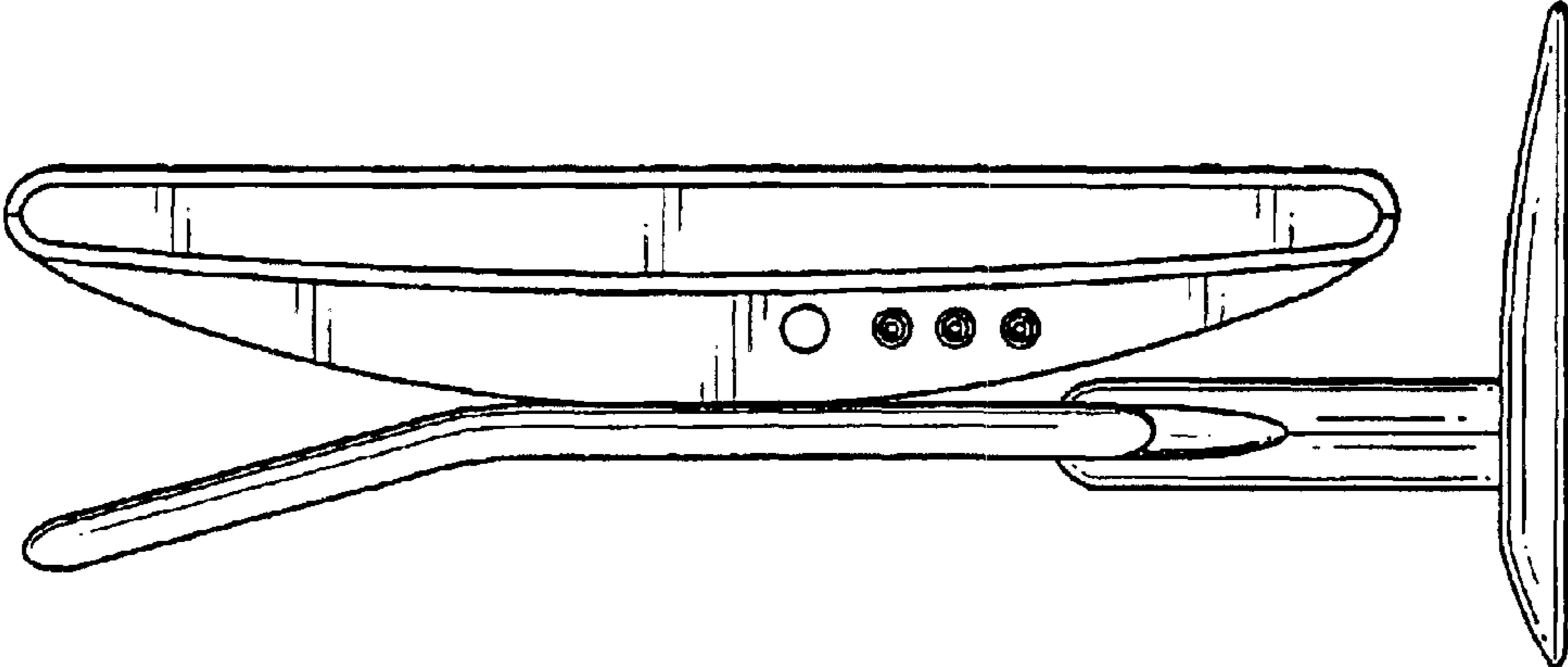


Fig. 7

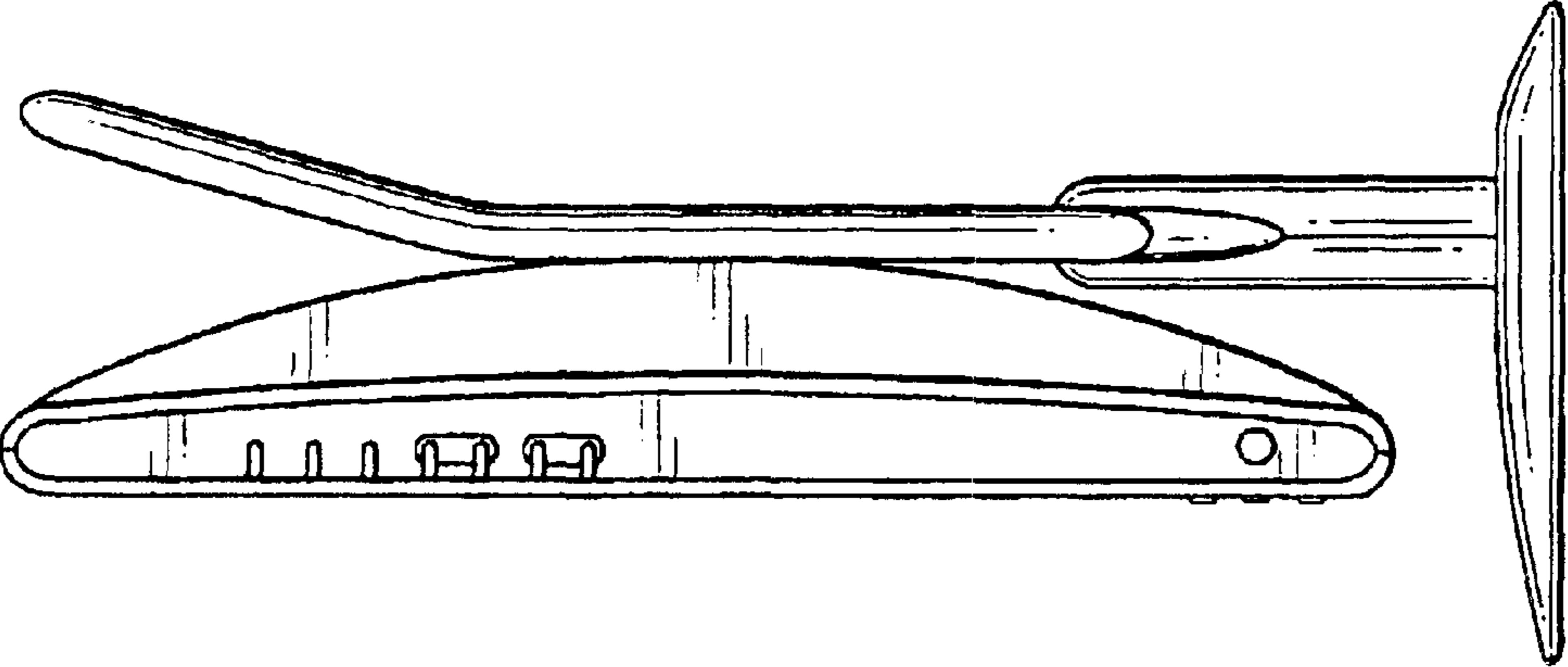


Fig. 6

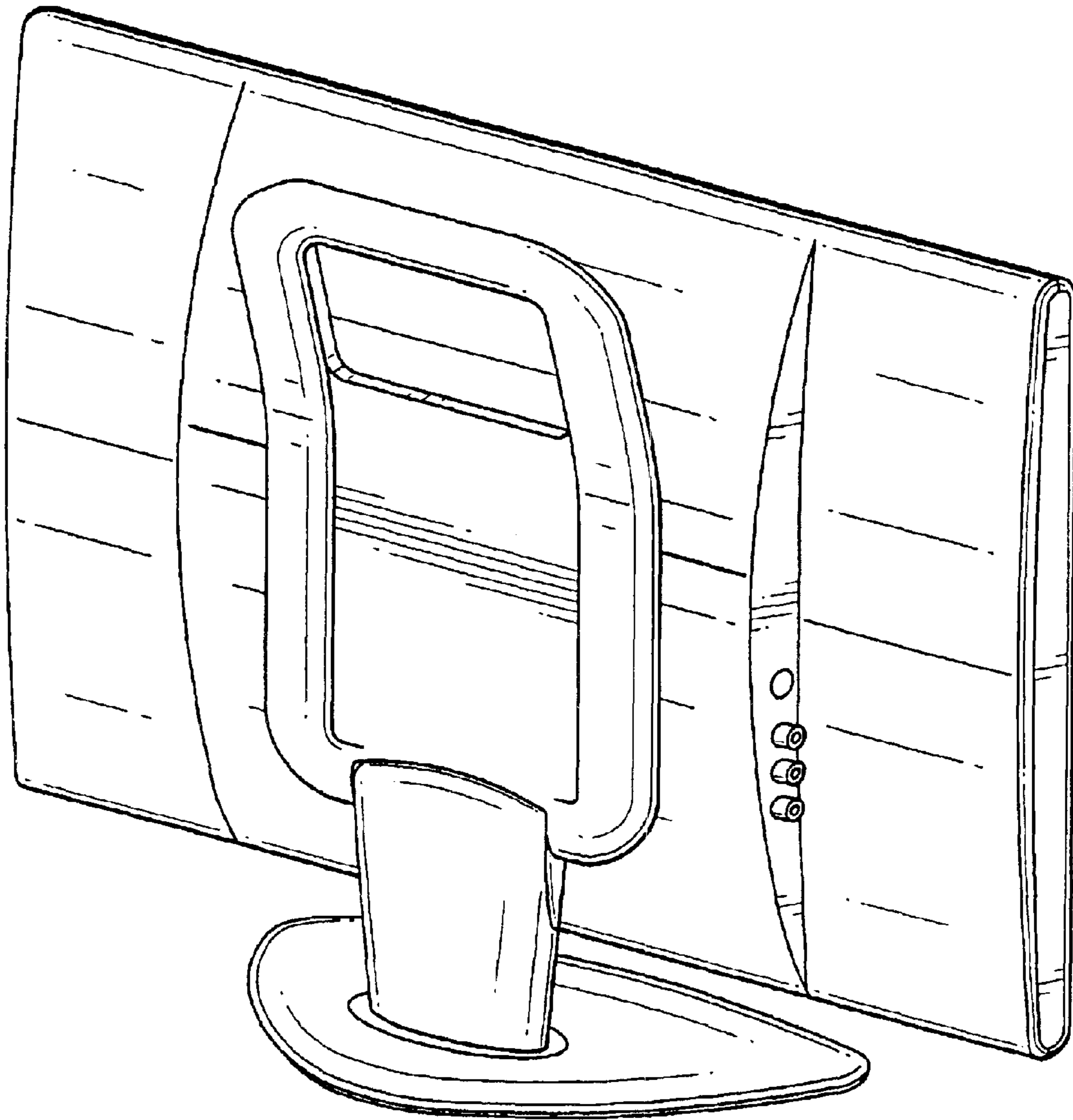


Fig. 8