

US00D499094S

(12) **United States Design Patent**
Wong et al.

(10) **Patent No.: US D499,094 S**

(45) **Date of Patent: ** Nov. 30, 2004**

(54) **MEMORY CARD RECEIVER**

D430,552 S * 9/2000 Nose D14/157
6,282,412 B1 * 8/2001 Lyons 455/186.1

(75) Inventors: **Joseph S. Wong**, San Diego, CA (US);
Mark McCluskey, Escondido, CA
(US); **William H. Schwiebert**, Poway,
CA (US)

* cited by examiner

Primary Examiner—Nanda Bondade

(73) Assignee: **Hewlett-Packard Development
Company, L.P.**, Houston, TX (US)

(57) **CLAIM**

(**) Term: **14 Years**

The ornamental design for a memory card receiver, as shown
and described.

(21) Appl. No.: **29/182,444**

DESCRIPTION

(22) Filed: **May 27, 2003**

(51) **LOC (7) Cl.** **14-01**

FIG. 1 is a right-front perspective view of a memory card
receiver showing the new design;

(52) **U.S. Cl.** **D14/257**; D14/168

FIG. 2 is a front view thereof; and,

(58) **Field of Search** D14/135–136,
D14/160–168, 188, 192–198, 156, 257,
258; 455/100, 344, 347–351, 185.1, 186.1

FIG. 3 is a top view thereof.

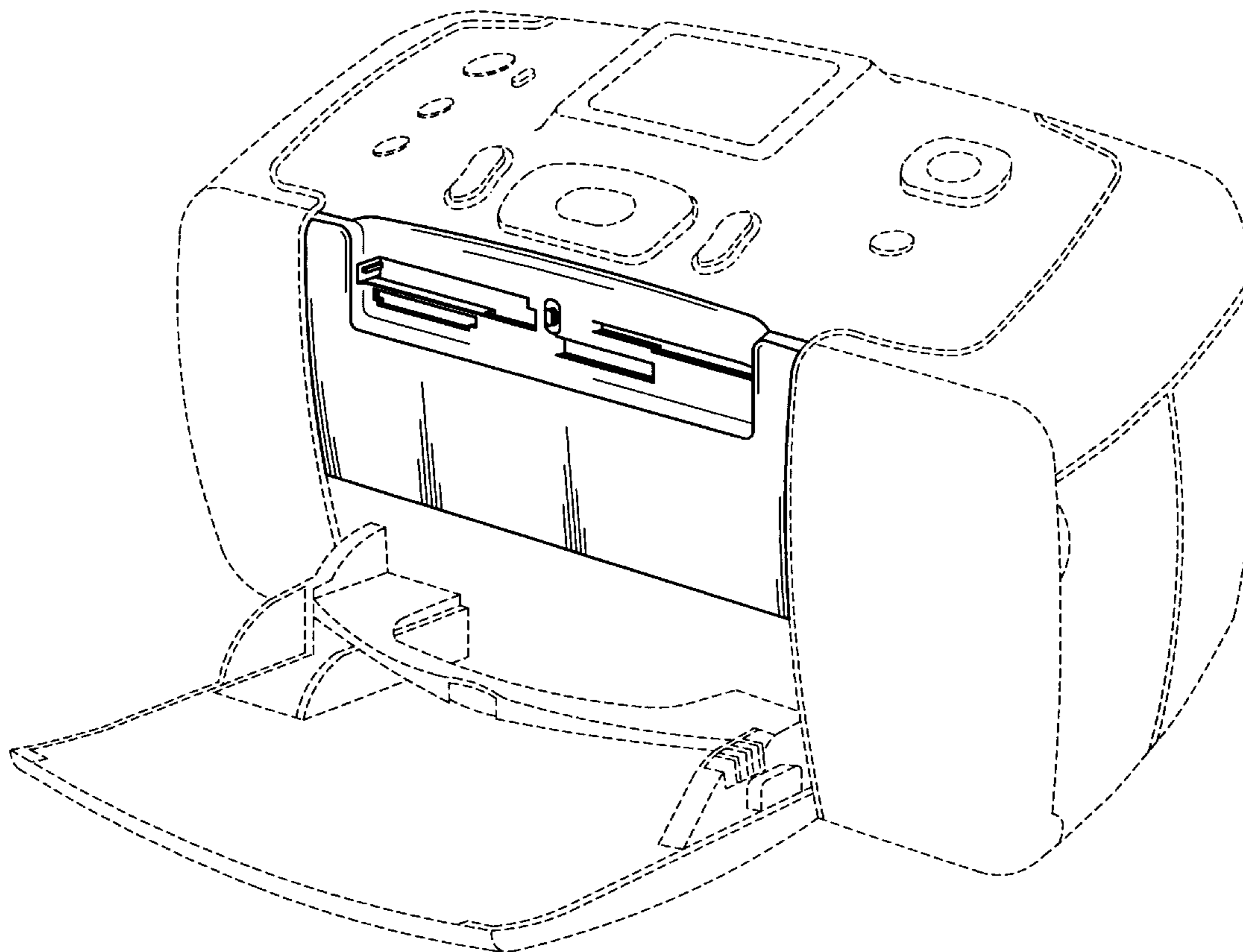
The broken lines showing in FIGS. 1–3 are for illustrative
purposes only and form no part of the claimed design.

(56) **References Cited**

U.S. PATENT DOCUMENTS

5,852,594 A * 12/1998 Kaise et al. 369/75.1

1 Claim, 3 Drawing Sheets



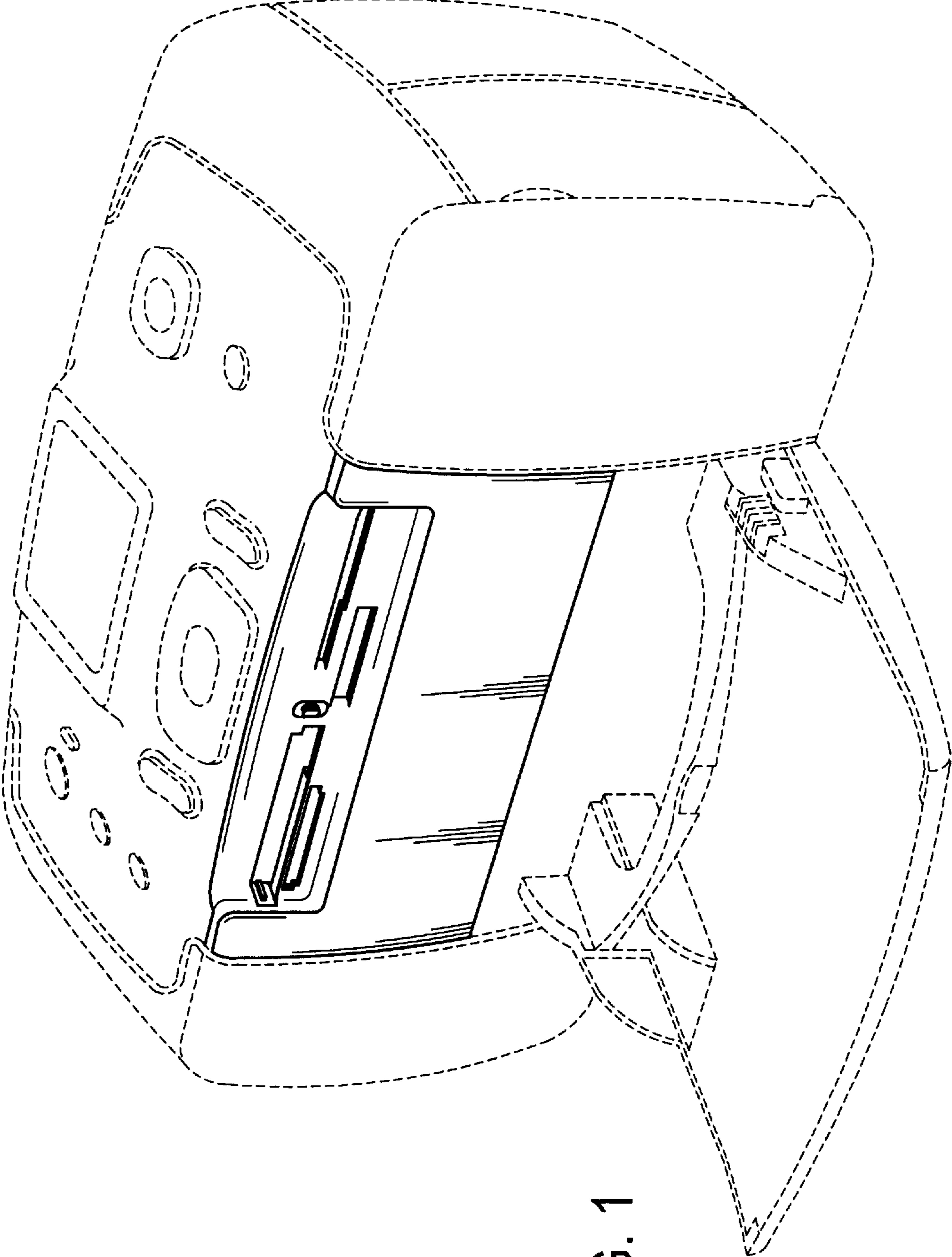


FIG. 1

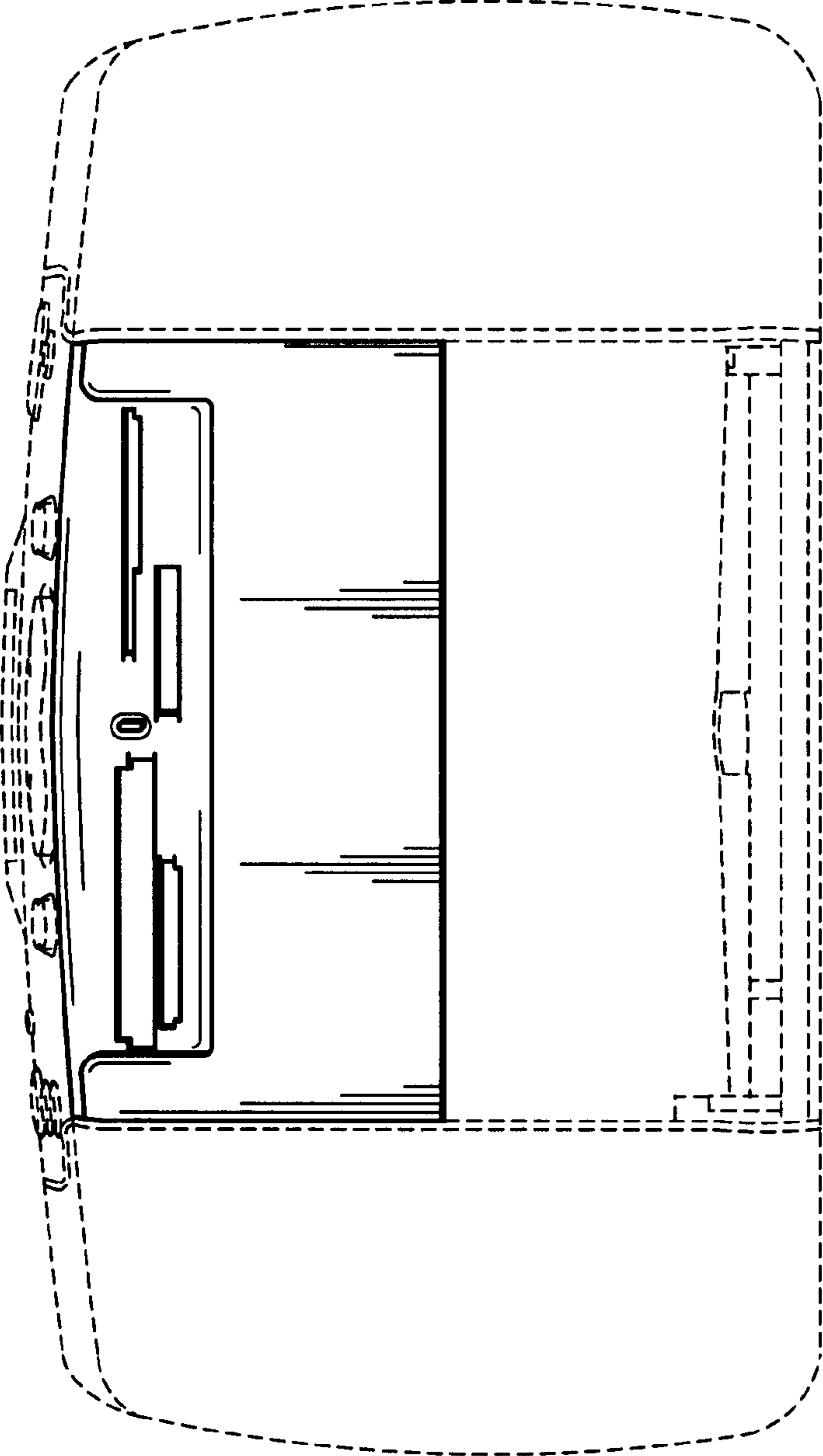


FIG. 2

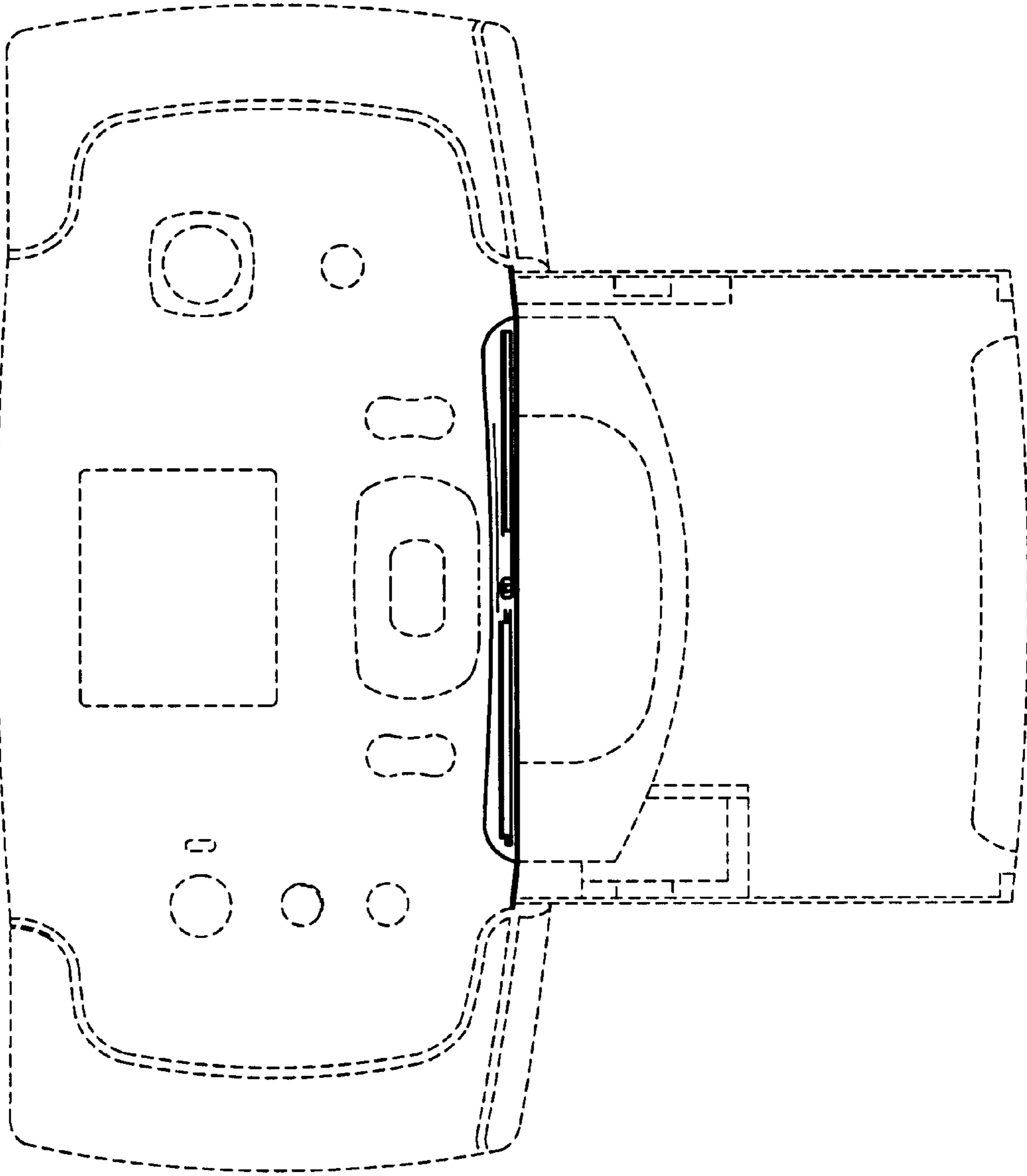


FIG. 3