

US00D499092S

(12) **United States Design Patent**
Fan

(10) **Patent No.:** **US D499,092 S**

(45) **Date of Patent:** **** Nov. 30, 2004**

(54) **ELECTRONIC APPLIANCE HOLDING
DEVICE**

(76) **Inventor:** **Eagle Fan**, No. 133, Cheng-Kung 6 St.,
Chu-Pei City, Hsinchu Hsien (TW)

(**) **Term:** **14 Years**

(21) **Appl. No.:** **29/199,418**

(22) **Filed:** **Feb. 14, 2004**

(51) **LOC (7) Cl.** **14-03**

(52) **U.S. Cl.** **D14/253; D14/217; D14/434**

(58) **Field of Search** D14/137, 434,
D14/138, 447, 148, 147, 149-151, 140-142,
240, 241, 251-253, 451, 218, 217; 379/426,
449, 419, 420.01-420.04, 428.01-428.04,
440, 454, 455, 446; 455/550.1-90.3; D13/107,
108; 224/670, 197, 271; D3/218; 248/221.11,
231.81; 320/110-115

5,982,885 A	*	11/1999	Ho	379/446
6,035,036 A	*	3/2000	Eisenbraun et al.	379/446
6,073,901 A	*	6/2000	Richter	248/316.4
6,085,113 A	*	7/2000	Fan	455/569.1
D432,121 S	*	10/2000	Chen	D14/253
D435,541 S	*	12/2000	Kataoka et al.	D14/217
D439,219 S	*	3/2001	Minagawa et al.	D13/108
6,229,891 B1	*	5/2001	Chen	379/446
6,256,387 B1	*	7/2001	Wang	379/446
D456,024 S	*	4/2002	Richter	D14/434
D471,547 S	*	3/2003	Ruohonen	D14/253
6,687,513 B1	*	2/2004	Hsu Li	455/557
2002/0159587 A1	*	10/2002	Chang	379/454
2002/0190176 A1	*	12/2002	Louh	248/316.4

* cited by examiner

Primary Examiner—Jeffrey Asch

(57) **CLAIM**

The ornamental design for electronic appliance holding device, as shown and described.

DESCRIPTION

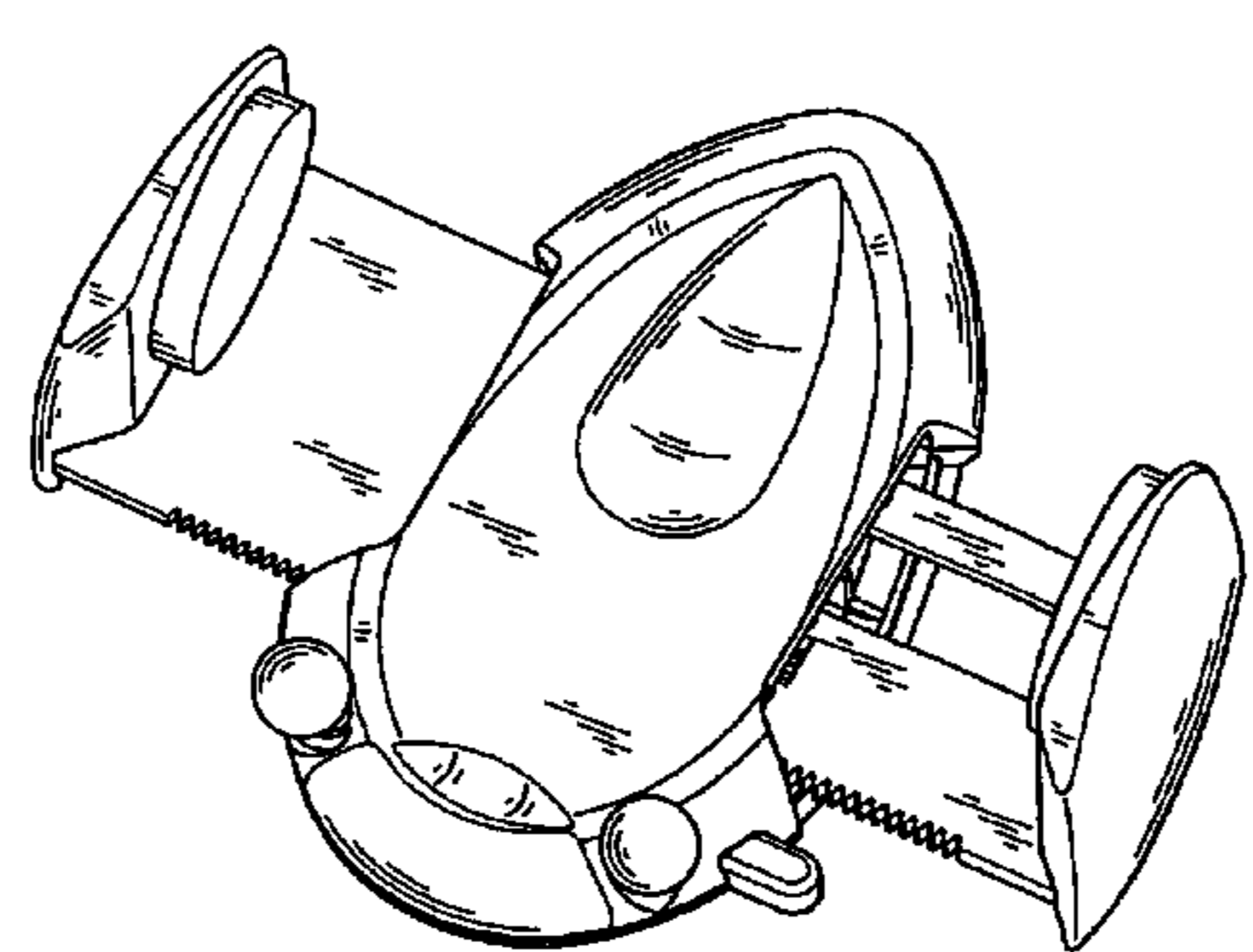
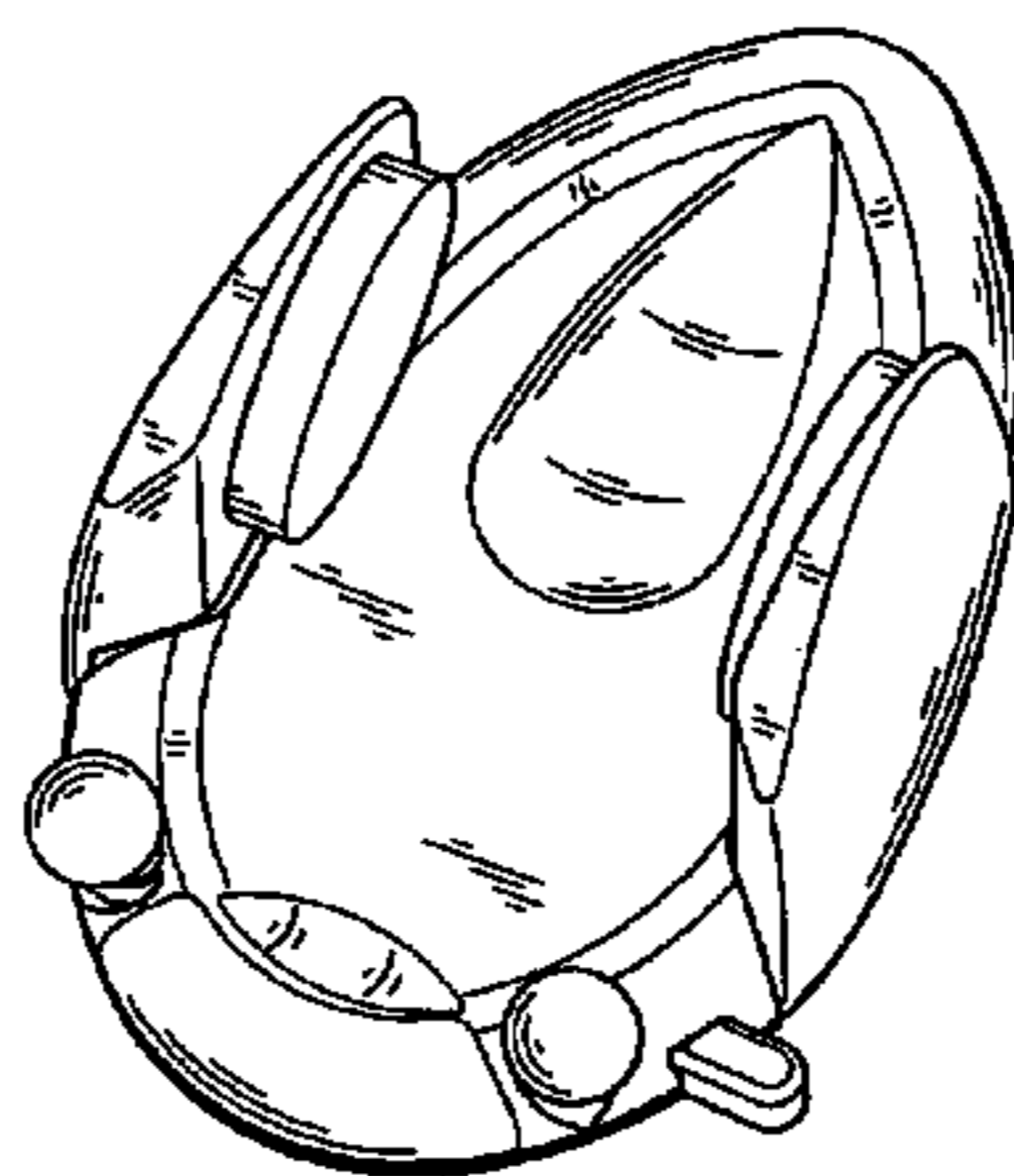
FIG. 1 is a perspective view of electronic appliance holding device showing my new design;
FIG. 2 is a front elevational view thereof;
FIG. 3 is a rear elevational view thereof;
FIG. 4 is a left side elevational view thereof;
FIG. 5 is right side elevational view thereof;
FIG. 6 is a top view thereof;
FIG. 7 is a bottom view thereof; and,
FIG. 8 is a perspective view thereof in an alternate position for use.

1 Claim, 8 Drawing Sheets

(56) **References Cited**

U.S. PATENT DOCUMENTS

5,457,745 A	*	10/1995	Wang	379/454
5,555,302 A	*	9/1996	Wang	379/446
5,615,258 A	*	3/1997	Ho	379/446
D379,463 S	*	5/1997	Richter	D14/253
5,694,468 A	*	12/1997	Hsu	379/446
D390,849 S	*	2/1998	Richter et al.	D14/253
5,788,202 A	*	8/1998	Richter	248/316.4
5,836,563 A	*	11/1998	Hsin-Yung	248/316.4
5,839,919 A	*	11/1998	Chen	439/529
D406,591 S	*	3/1999	Richter	D14/253
D411,542 S	*	6/1999	Richter	D14/253



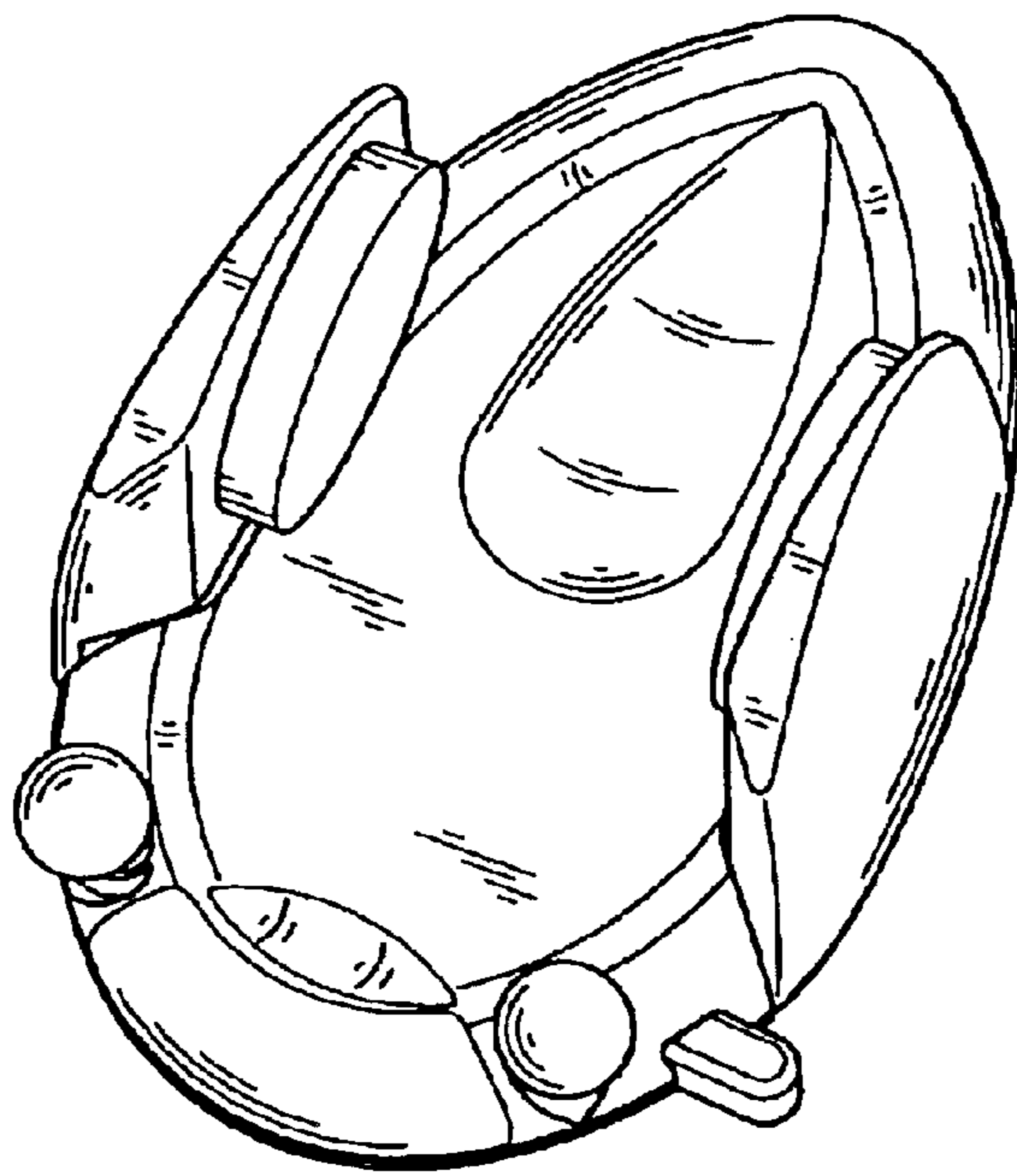


FIG. 1

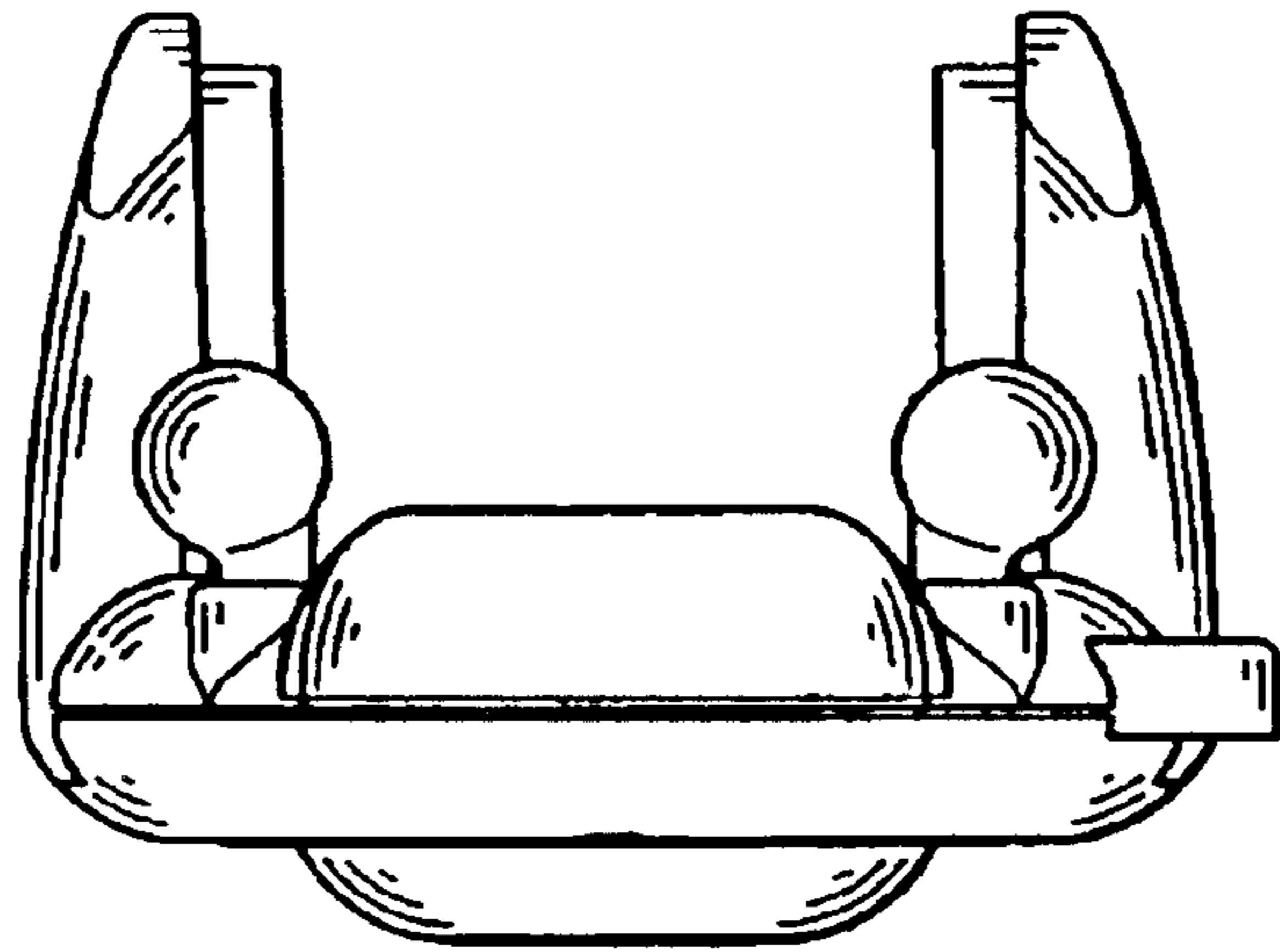


FIG. 2

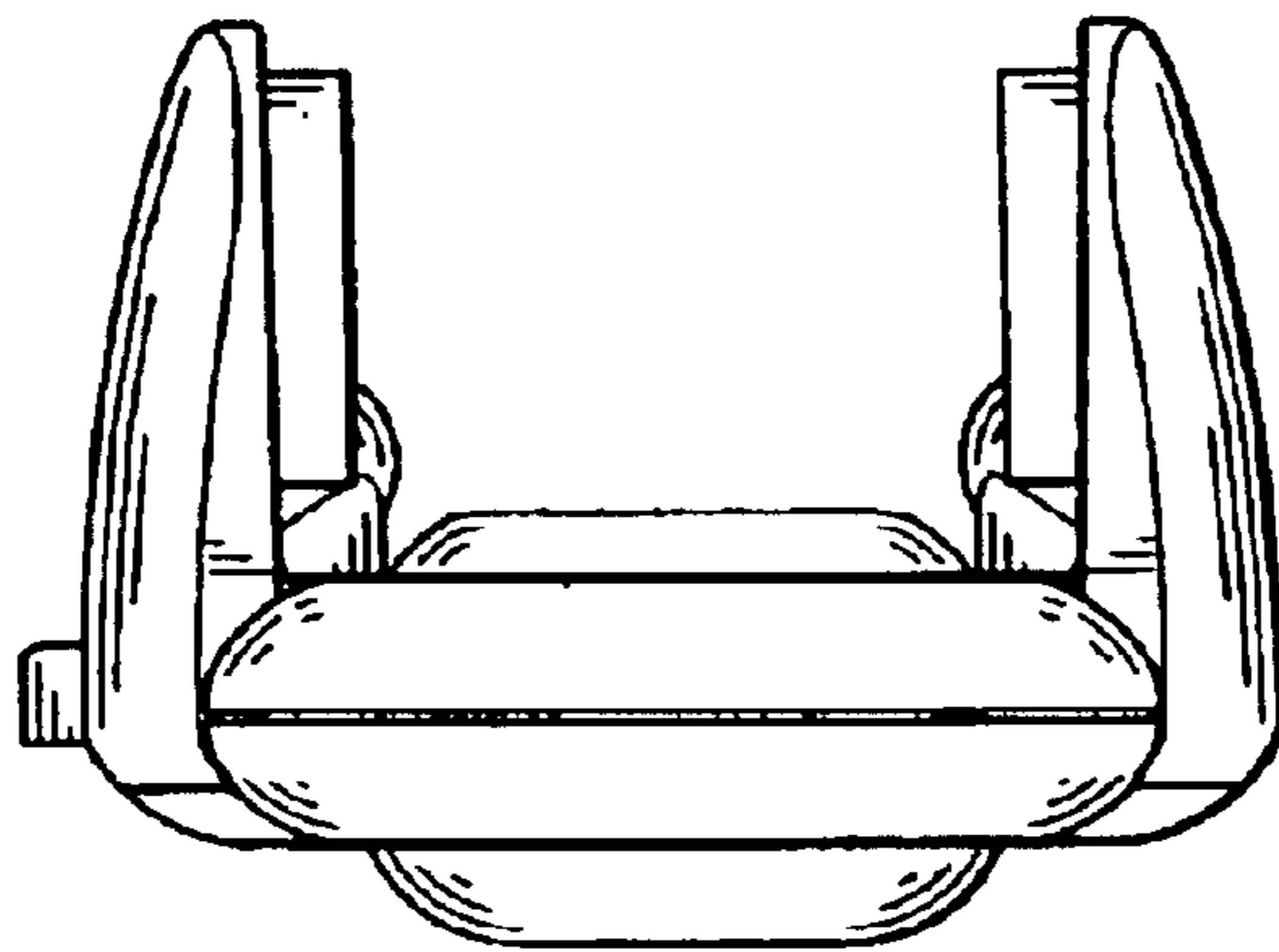


FIG. 3

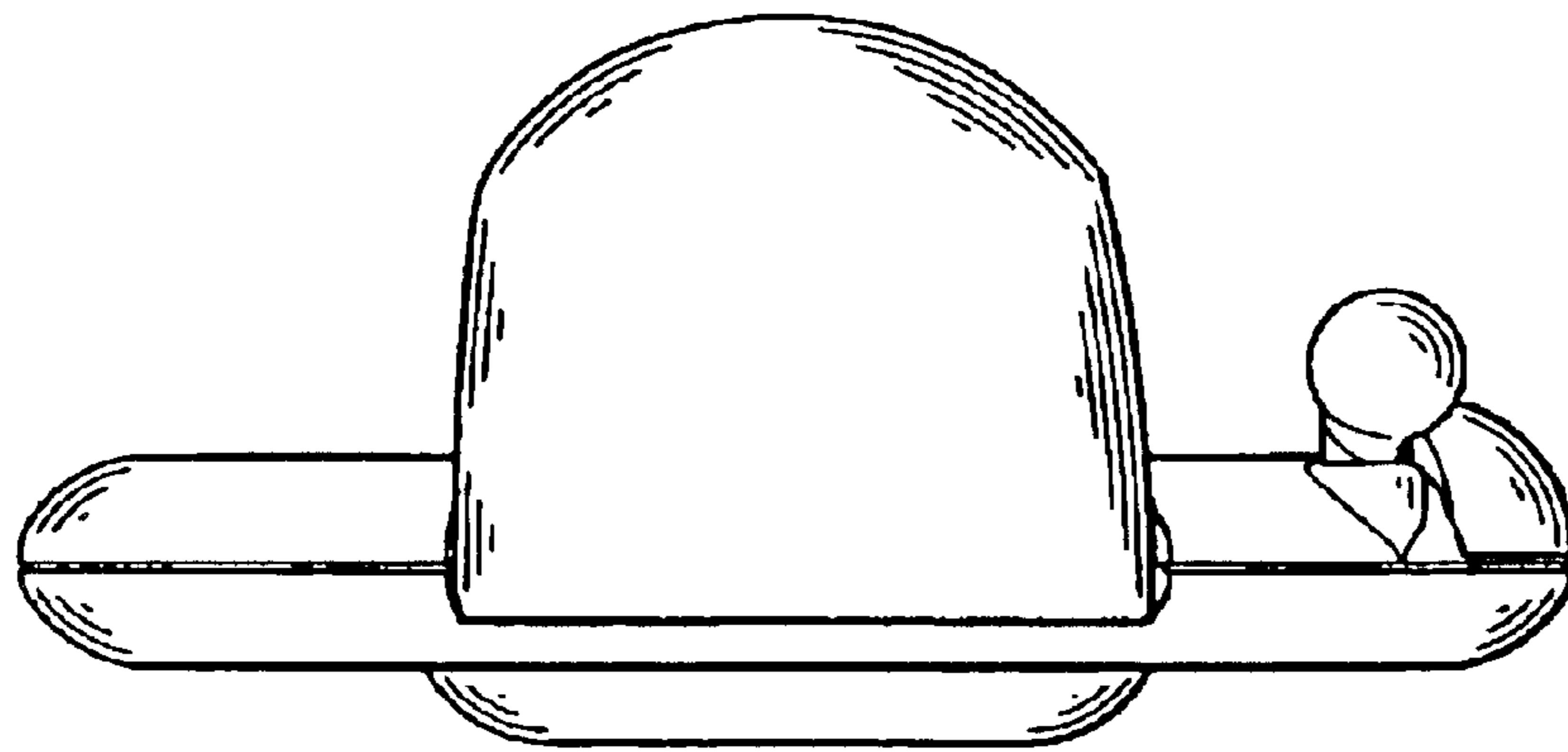


FIG. 4

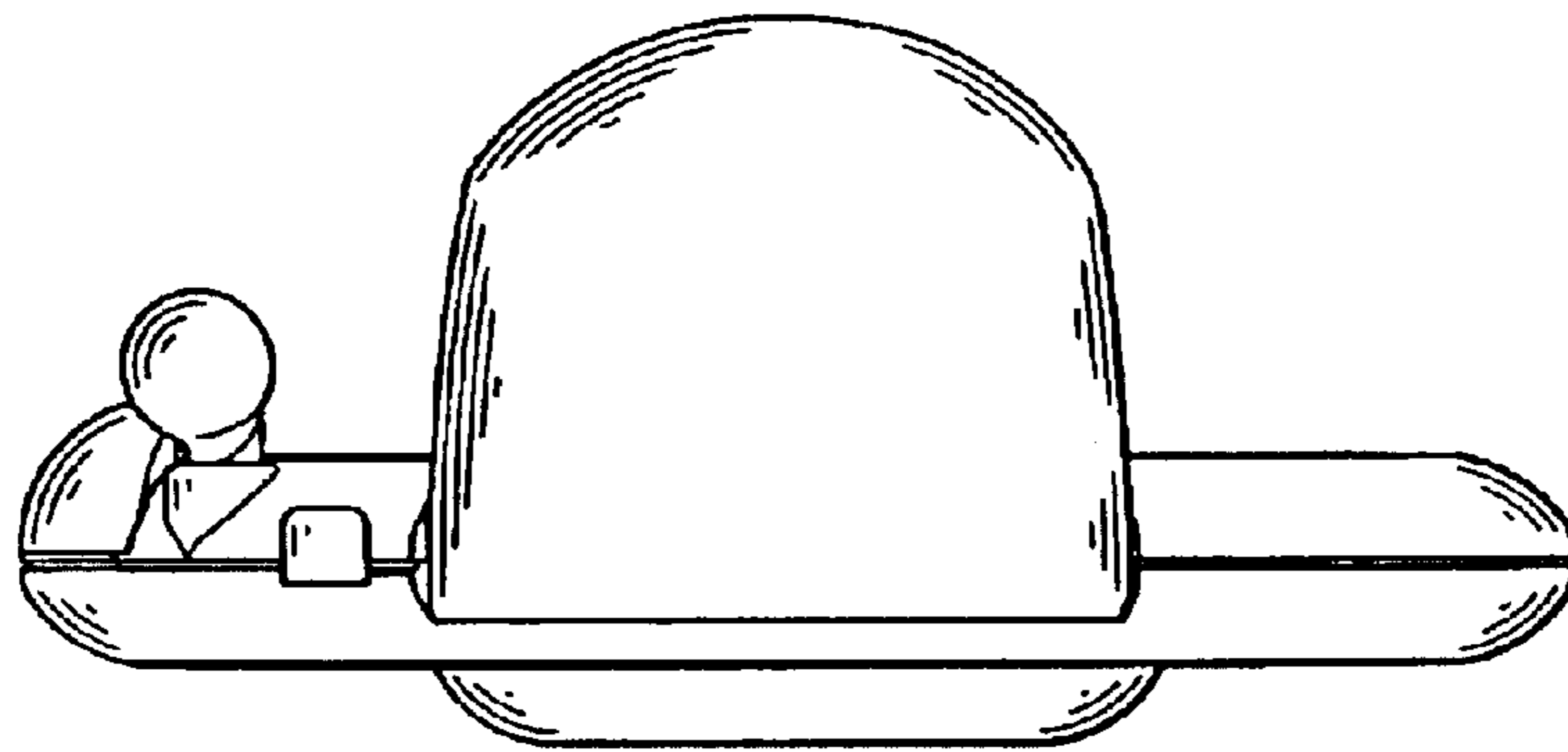


FIG. 5

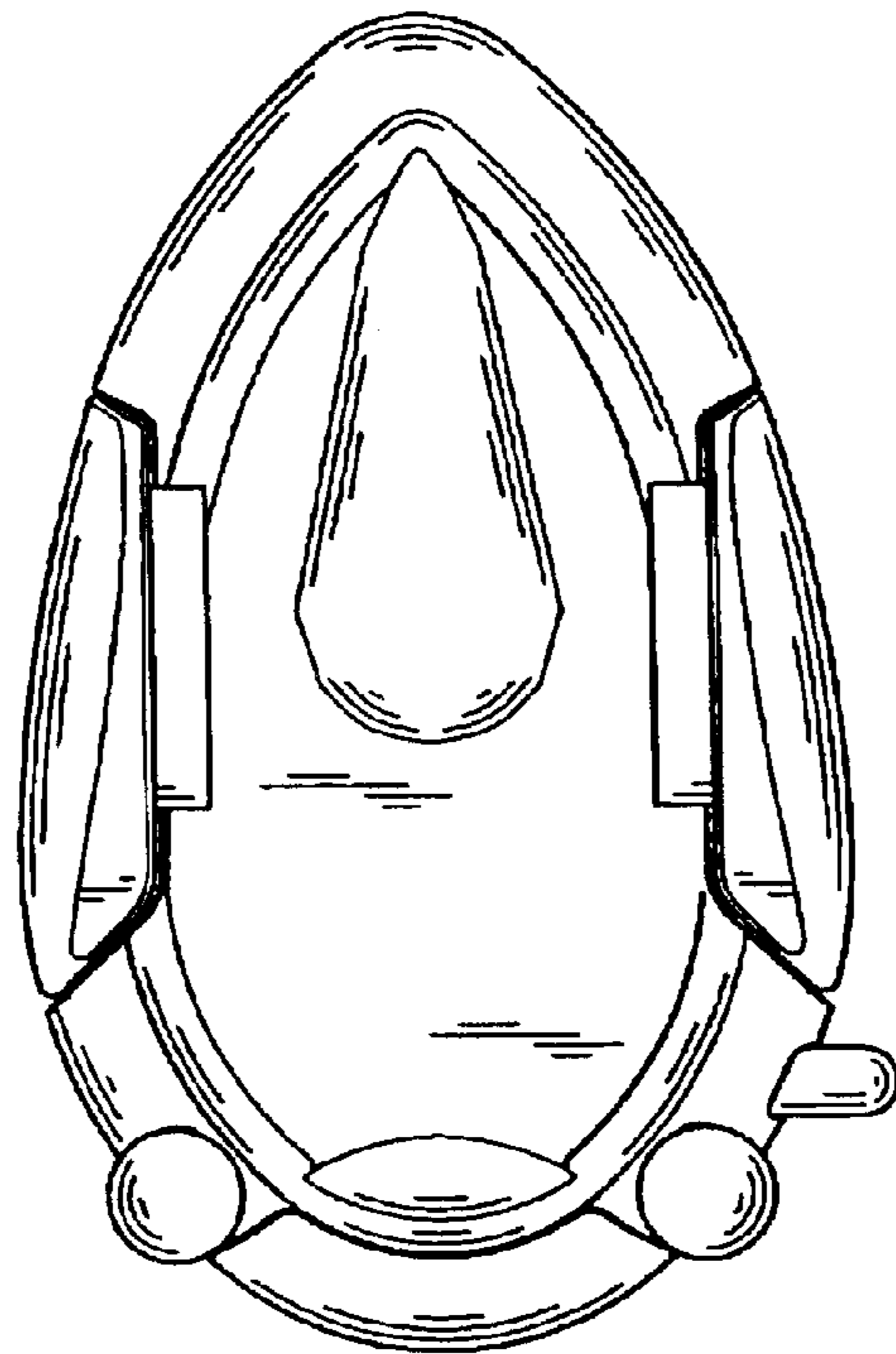


FIG. 6

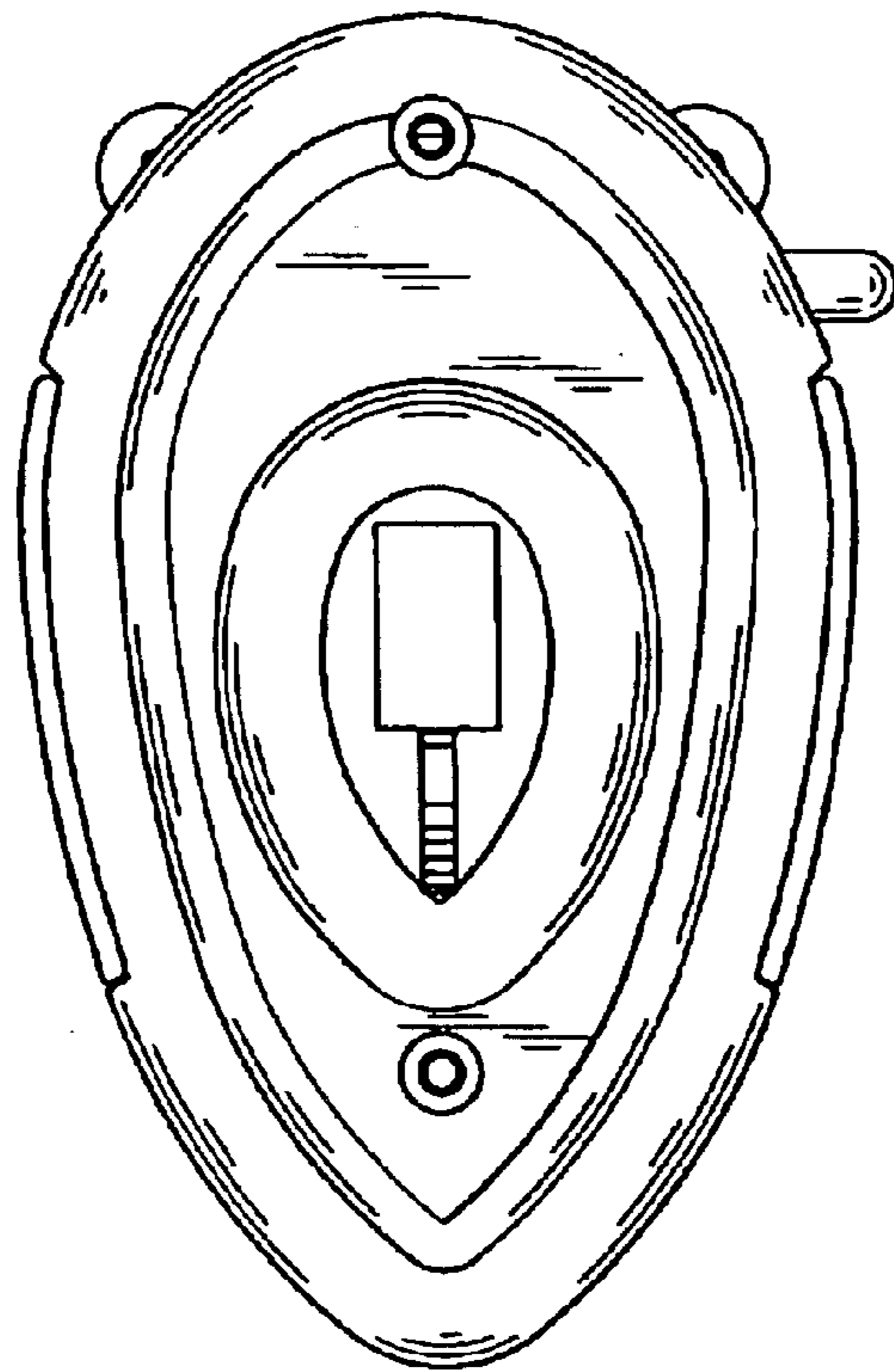


FIG. 7

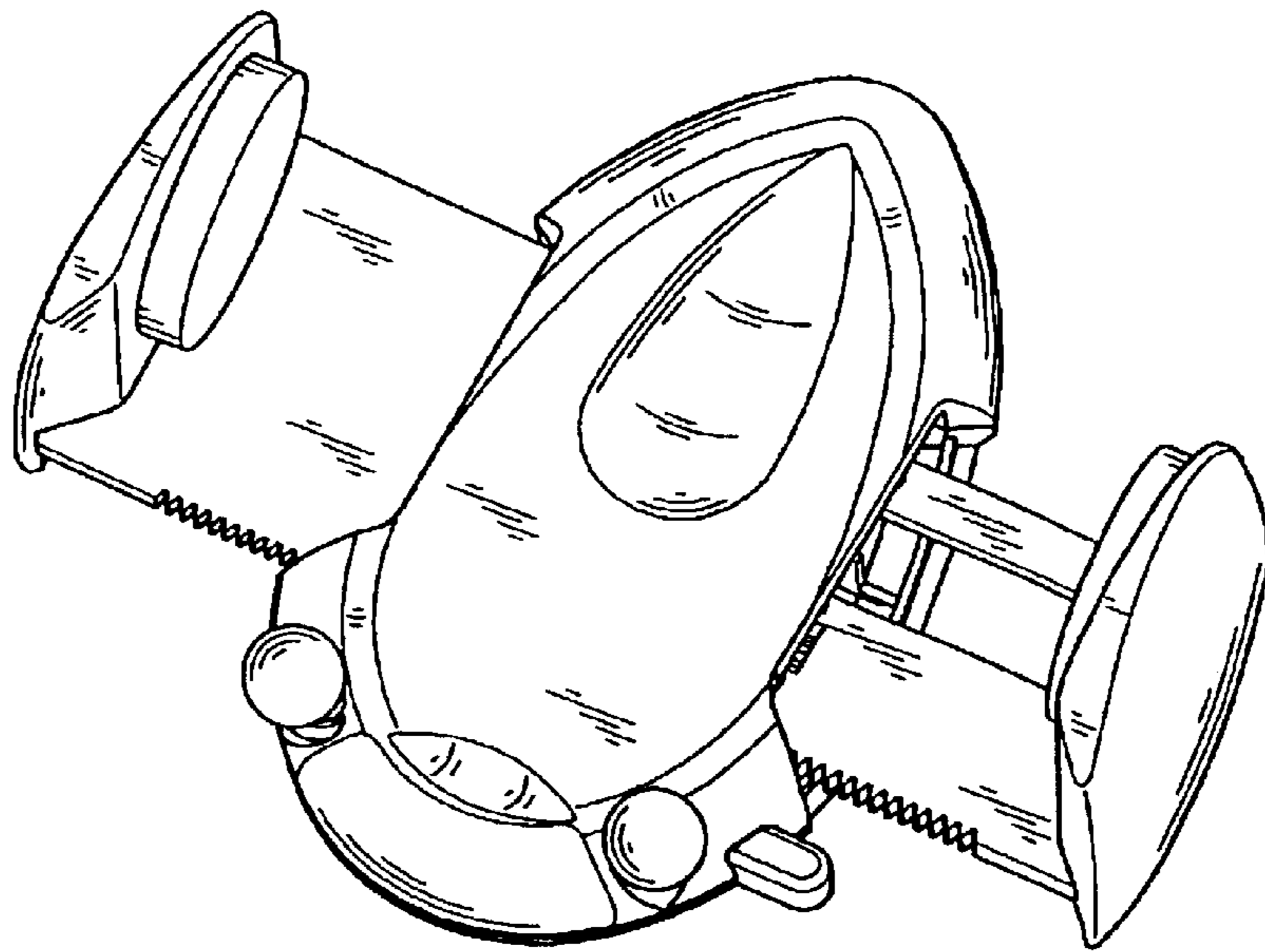


FIG. 8