

US00D499088S

(12) **United States Design Patent**
Sheu

(10) **Patent No.: US D499,088 S**

(45) **Date of Patent: ** Nov. 30, 2004**

(54) **KEY BUTTON ARRANGEMENT FOR A HANDSET**

(75) Inventor: **Wei-Jong William Sheu**, Woodland Hills, CA (US)

(73) Assignee: **Nokia Corporation**, Espoo (FI)

(**) Term: **14 Years**

(21) Appl. No.: **29/200,537**

(22) Filed: **Mar. 2, 2004**

Related U.S. Application Data

(62) Division of application No. 29/170,247, filed on Nov. 1, 2002, now Pat. No. Des. 491,172.

(51) **LOC (7) Cl. 14-03**

(52) **U.S. Cl. D14/247**

(58) **Field of Search** D14/137, 192, D14/138, 218, 147-148, 247-248, 144, 401, 341-347, 191; 379/433.01-433.13, 419, 434, 428.01-428.04, 420.01-420.04, 440; D10/65, 78; 455/550.1-90.3; D21/517, 329, 331; D13/168; D18/2, 7; 345/168, 169

References Cited

U.S. PATENT DOCUMENTS

- D287,598 S 1/1987 Moggridge
- D304,939 S 12/1989 Sutoh
- D362,249 S * 9/1995 Burststedt et al. D14/138
- D389,488 S 1/1998 Williams et al.
- D396,472 S 7/1998 Harris et al.
- D402,981 S 12/1998 Galletti et al.
- D409,204 S 5/1999 Vuolteenaho
- D421,611 S 3/2000 Nuovo
- D424,571 S 5/2000 Finkbeiner
- D425,904 S 5/2000 Frye et al.
- D429,240 S 8/2000 Curtis
- D440,561 S 4/2001 Kolinen
- D448,021 S 9/2001 Arbisi et al.
- D448,367 S 9/2001 Johansson
- D451,503 S 12/2001 Langford et al.

- D455,421 S 4/2002 Lee
- D455,737 S 4/2002 Salmi et al.
- D456,391 S 4/2002 Kolinen
- D456,798 S 5/2002 Kolinen
- D457,883 S 5/2002 Sugioka et al.
- D459,324 S 6/2002 Ahlgren
- D459,332 S 6/2002 Peiker
- D459,344 S 6/2002 Vuolteenaho
- D469,757 S 2/2003 Majanen
- D471,184 S 3/2003 Dalby et al.
- D471,903 S 3/2003 Burns et al.
- D471,904 S 3/2003 Majanen
- D475,034 S * 5/2003 Arbisi et al. D14/138
- D475,999 S 6/2003 Pottie et al.
- D476,320 S 6/2003 Arbisi et al.
- D476,648 S 7/2003 Salmi
- D476,983 S 7/2003 Salmi
- D476,984 S * 7/2003 Salmi D14/247
- D484,477 S * 12/2003 Salmi D14/138
- D484,873 S * 1/2004 Salmi D14/247
- D485,246 S * 1/2004 Johansson et al. D14/138
- D487,438 S * 3/2004 Sheu D14/138
- D487,572 S * 3/2004 Munstermann D14/138

(List continued on next page.)

FOREIGN PATENT DOCUMENTS

- WO DM/059367 * 3/2002
- WO DM/063 714 7/2003
- WO DM/065073 * 2/2004

Primary Examiner—Jeffrey Asch

(74) *Attorney, Agent, or Firm*—Banner & Witcoff, Ltd.

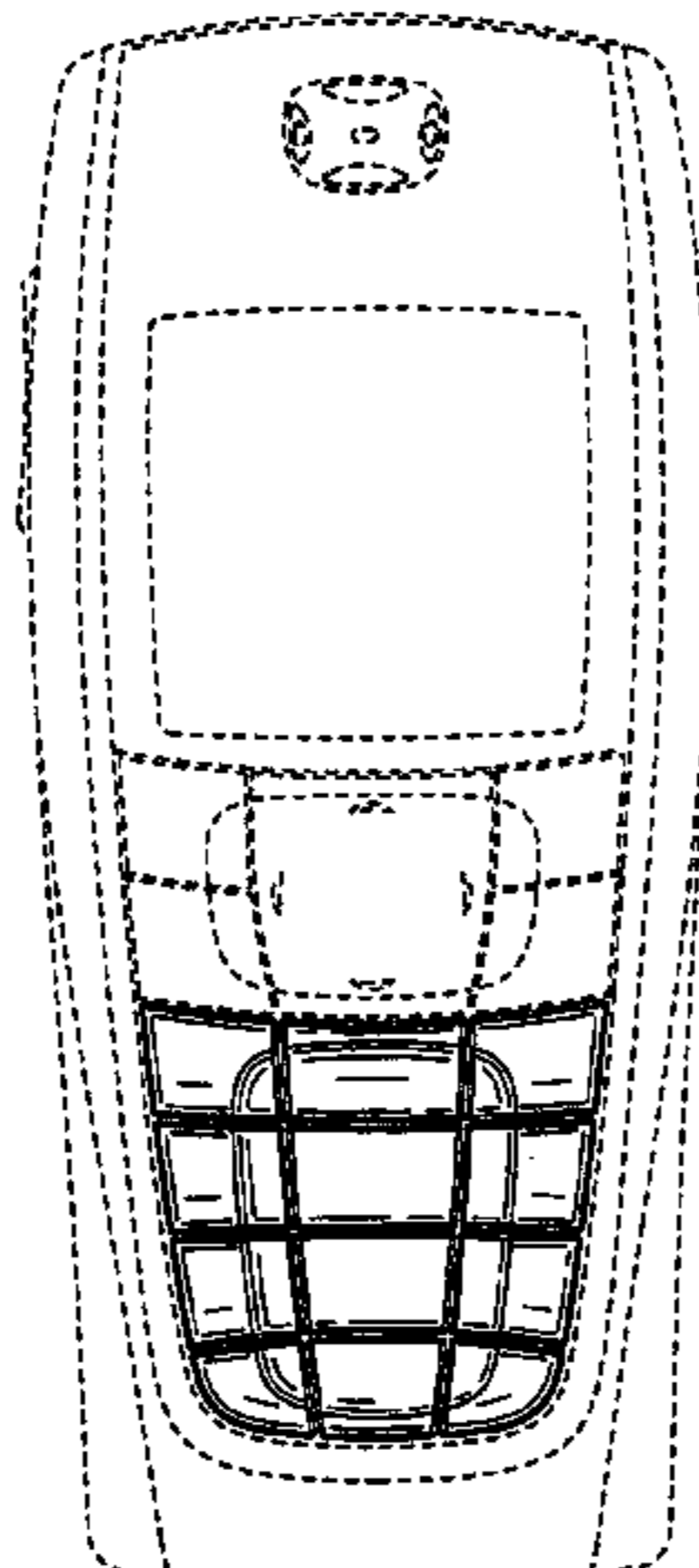
(57) **CLAIM**

The ornamental design for a key button arrangement for a handset, as shown and described.

DESCRIPTION

FIG. 1 is a front view of a key button arrangement for a handset showing my new design; and, FIG. 2 is a perspective front view thereof. The broken line showing of the remainder of the handset is for illustrative purposes only and forms no part of the claimed design.

1 Claim, 2 Drawing Sheets



US D499,088 S

Page 2

U.S. PATENT DOCUMENTS

D488,143 S	*	4/2004	Ting et al.	D14/138	D491,172 S	*	6/2004	Sheu	D14/247
D489,060 S	*	4/2004	Liao et al.	D14/247	D491,545 S	*	6/2004	Widiaman et al.	D14/138
D490,073 S	*	5/2004	Langford	D14/247	D491,930 S	*	6/2004	Widiaman	D14/247
D490,390 S	*	5/2004	Johansson	D14/138	2003/0038787 A1		2/2003	Nishiyama	
D490,792 S	*	6/2004	Lee	D14/138	2003/0083021 A1		5/2003	Hsu et al.	

* cited by examiner

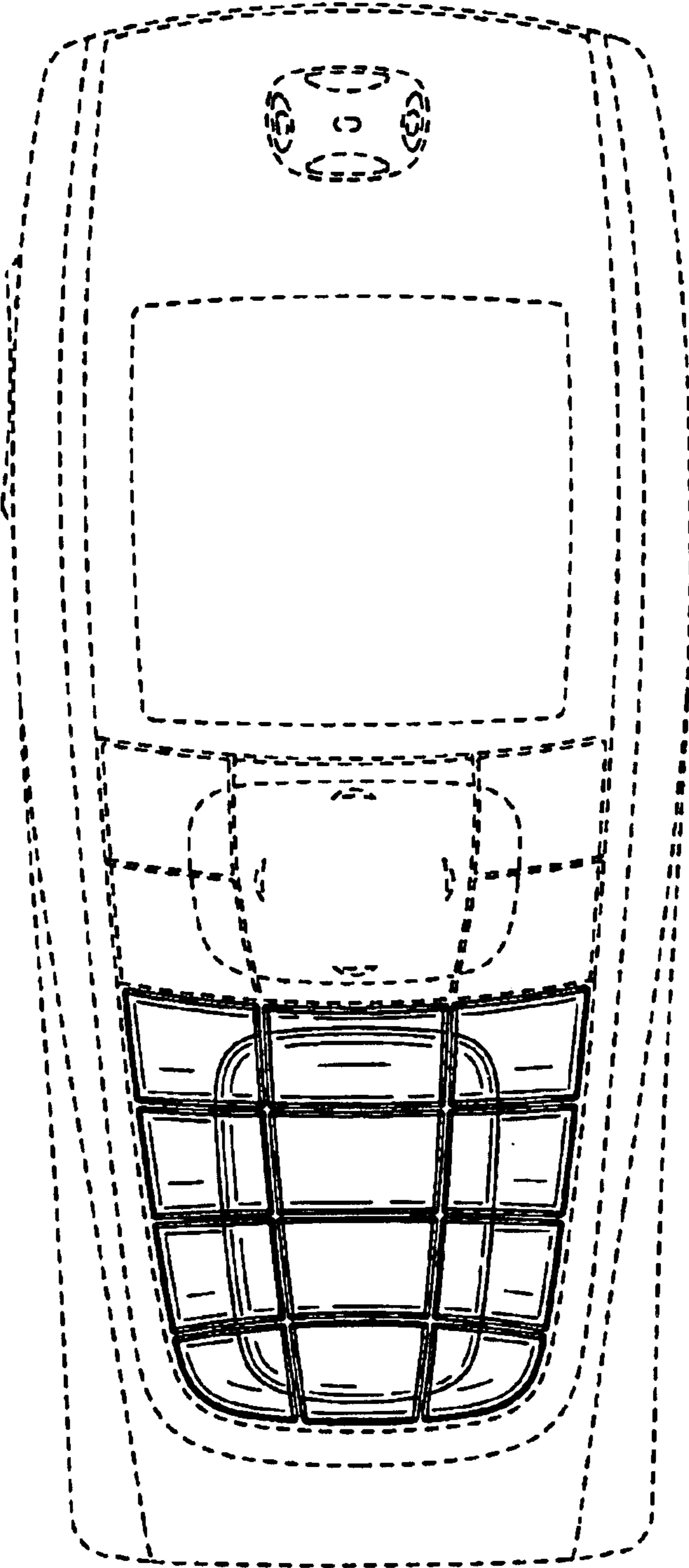


FIG. 1

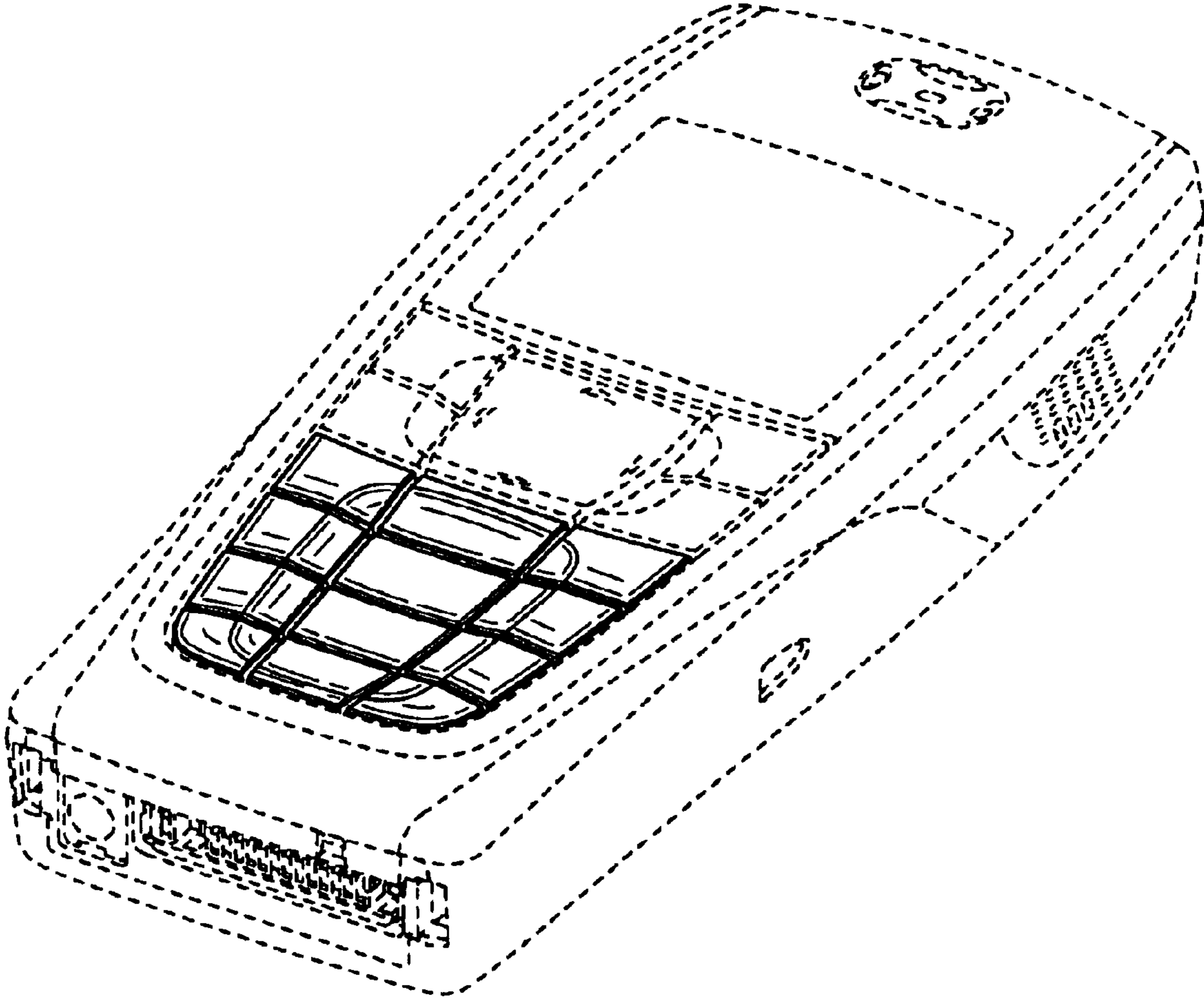


FIG. 2