

US00D499079S

(12) **United States Design Patent**
Abe et al.

(10) **Patent No.: US D499,079 S**

(45) **Date of Patent: ** Nov. 30, 2004**

(54) **TELEPHONE SET**

(75) Inventors: **Takashi Abe**, Chiba (JP); **Hiroyuki Ariga**, Kokubunji (JP)

(73) Assignee: **Kabushiki Kaisha Toshiba** (JP)

(**) Term: **14 Years**

(21) Appl. No.: **29/195,804**

(22) Filed: **Dec. 18, 2003**

(30) **Foreign Application Priority Data**

Sep. 30, 2003 (JP) 2003-028658

(51) **LOC (7) Cl. 14-03**

(52) **U.S. Cl. D14/151**

(58) **Field of Search** D14/130, 148,
D14/147, 149-151, 143, 329, 330, 140-142,
144, 240, 241, 243, 170, 171, 159; 379/440,
454, 446, 419, 420.01-420.04, 428.01-428.04,
434-436; 320/110, 113-115; 455/550.1-90.3;
D21/517; D13/107, 108

(56) **References Cited**

U.S. PATENT DOCUMENTS

- D279,372 S * 6/1985 Baba et al. D14/151
- D287,585 S * 1/1987 Brown et al. D14/151
- D288,810 S * 3/1987 Ando D14/151
- D294,250 S * 2/1988 Watanabe et al. D14/130
- D295,038 S * 4/1988 Maliskas D14/151
- D303,390 S * 9/1989 Ohta et al. D14/151
- D313,235 S * 12/1990 Kido et al. D14/151
- D313,595 S * 1/1991 Morooka D14/159
- D318,276 S * 7/1991 Fuqua et al. D14/151
- D321,871 S 11/1991 Ando
- D321,872 S 11/1991 Ando
- D328,076 S * 7/1992 Hagiwara D14/151
- D332,263 S * 1/1993 Taniguchi D14/151
- D366,484 S * 1/1996 Levin D14/151
- D368,091 S * 3/1996 Yoshihiko et al. D14/151

- D374,667 S * 10/1996 Elkins et al. D14/151
- D375,094 S * 10/1996 Toh D14/151
- D383,750 S * 9/1997 Disanto et al. D14/151
- D387,056 S 12/1997 Yoneyama
- D395,308 S 6/1998 Yoneyama
- D397,112 S * 8/1998 Locklin et al. D14/151
- D405,447 S * 2/1999 Landry et al. D14/151
- D409,604 S * 5/1999 Hong D14/151
- D410,005 S * 5/1999 Landry et al. D14/151
- 6,038,311 A * 3/2000 Nitobe et al. 379/428.03
- D463,390 S * 9/2002 Shen et al. D14/151
- D490,795 S * 6/2004 Watanabe et al. D14/151

FOREIGN PATENT DOCUMENTS

JP	0944225	1/1996
JP	0979140	4/1997

OTHER PUBLICATIONS

Matsushita Catalog of a Telephone Set, VB-E411L TeishV), Mar. 22, 2000, p. 1.

* cited by examiner

Primary Examiner—Jeffrey Asch
(74) *Attorney, Agent, or Firm*—Banner & Witcoff, Ltd.

(57) **CLAIM**

The ornamental design for a telephone set, as shown and described.

DESCRIPTION

FIG. 1 is a front, top and right side perspective view of a telephone set, showing our new design;
FIG. 2 is a front elevational view thereof;
FIG. 3 is a rear elevational view thereof;
FIG. 4 is a top plan view thereof;
FIG. 5 is a bottom plan view thereof;
FIG. 6 is a right side elevational view thereof; and,
FIG. 7 is a left side elevational view thereof.

1 Claim, 4 Drawing Sheets



FIG. 1

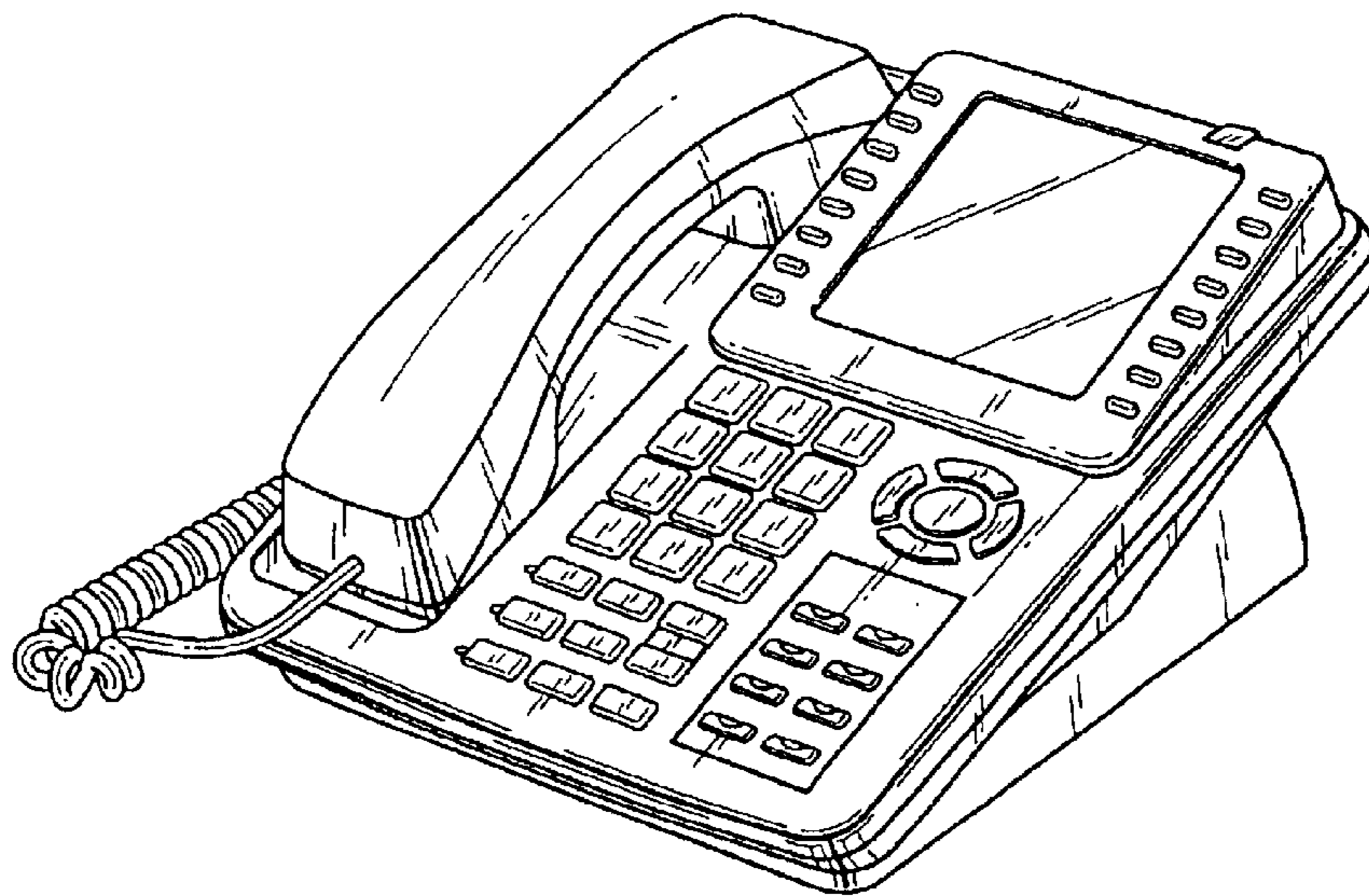


FIG.2

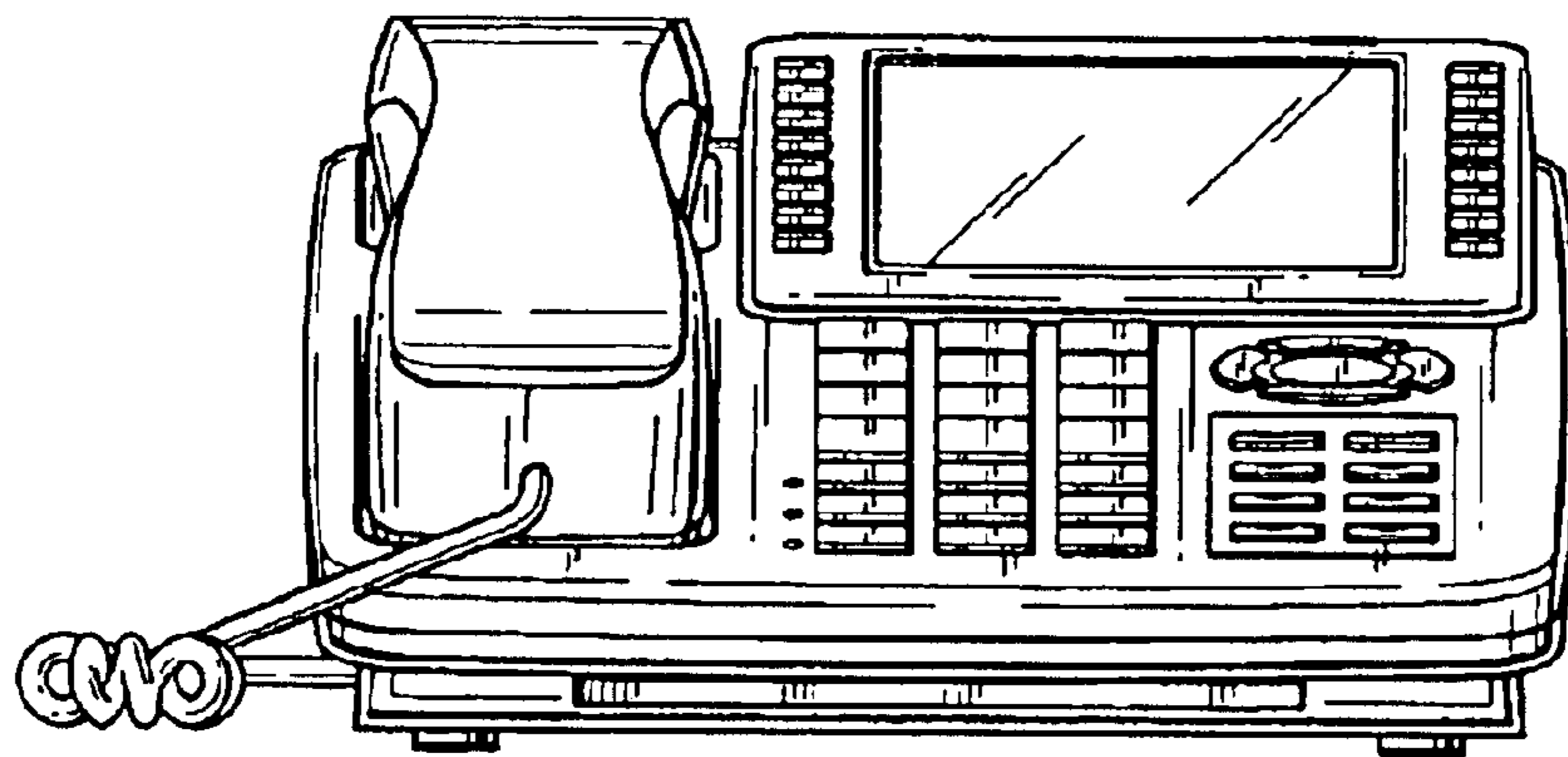


FIG.3

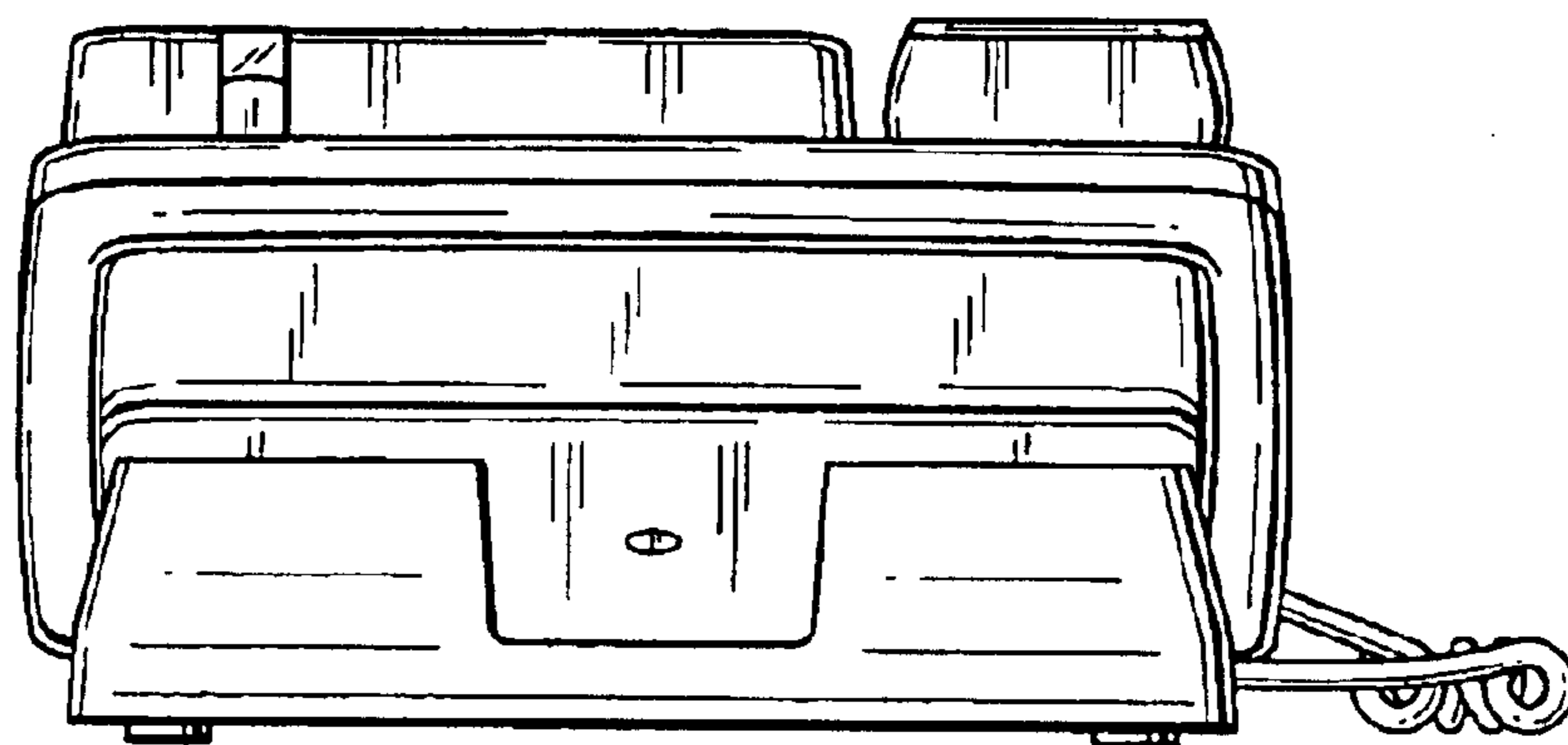


FIG. 4

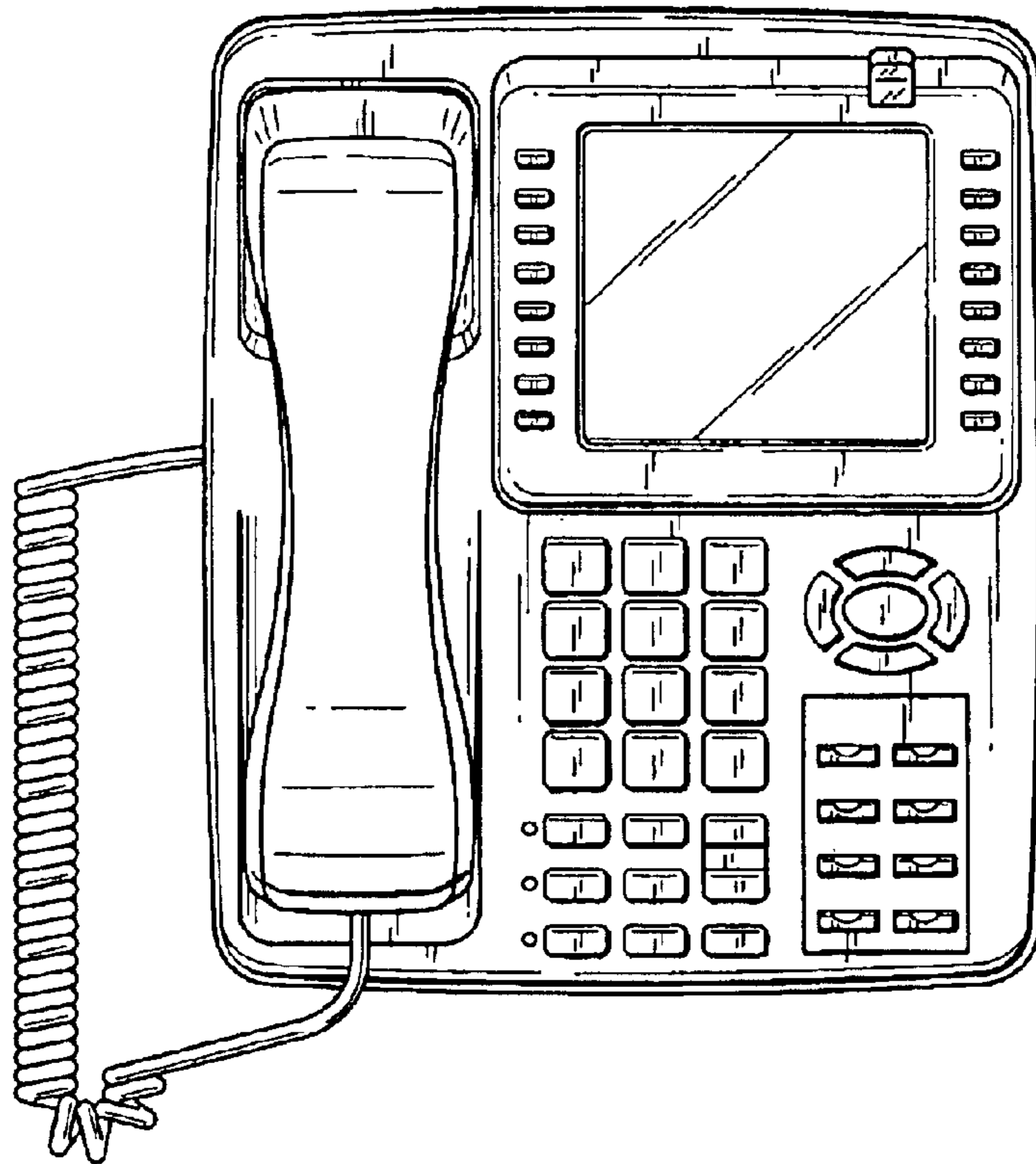


FIG. 5

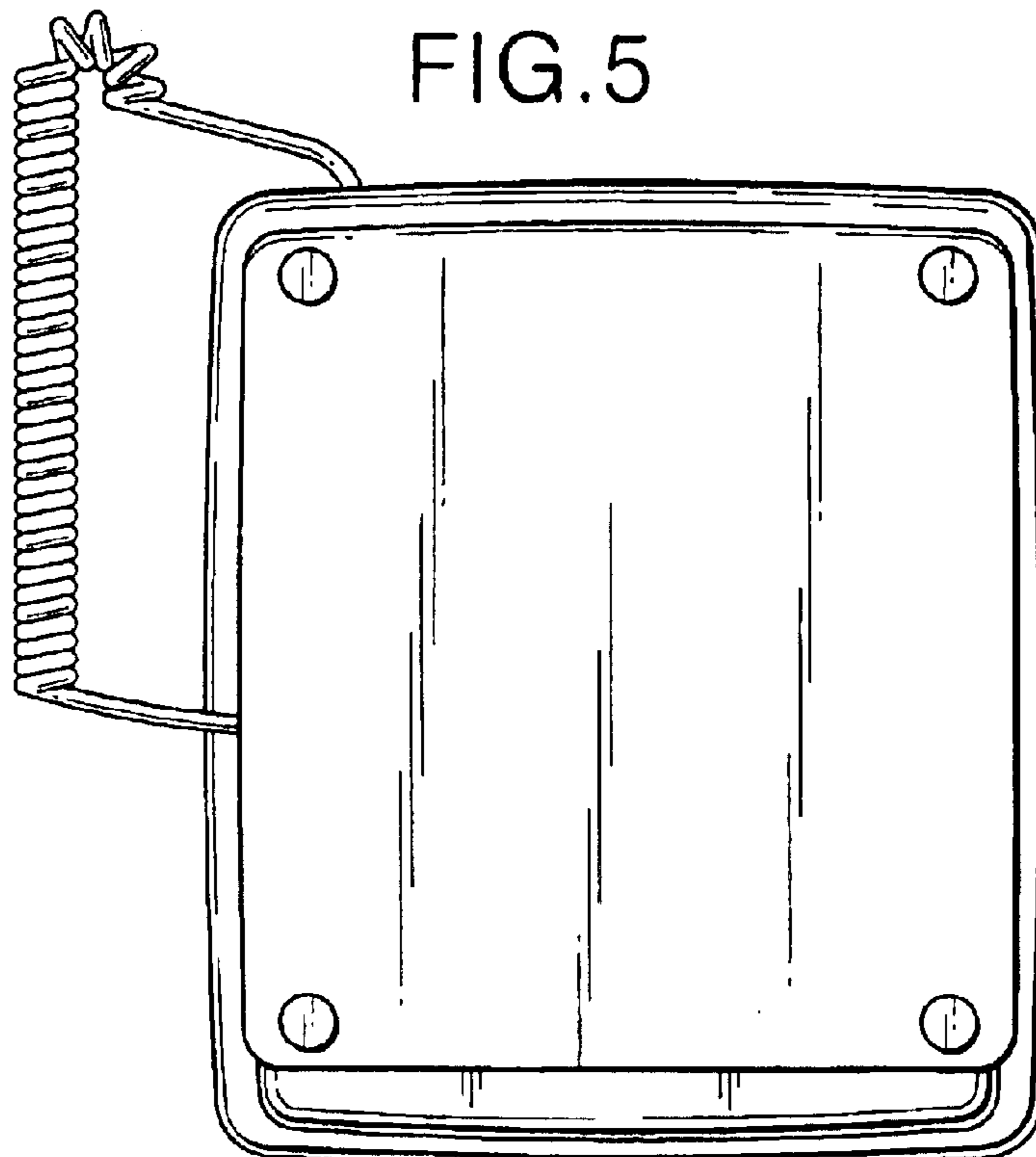


FIG. 6

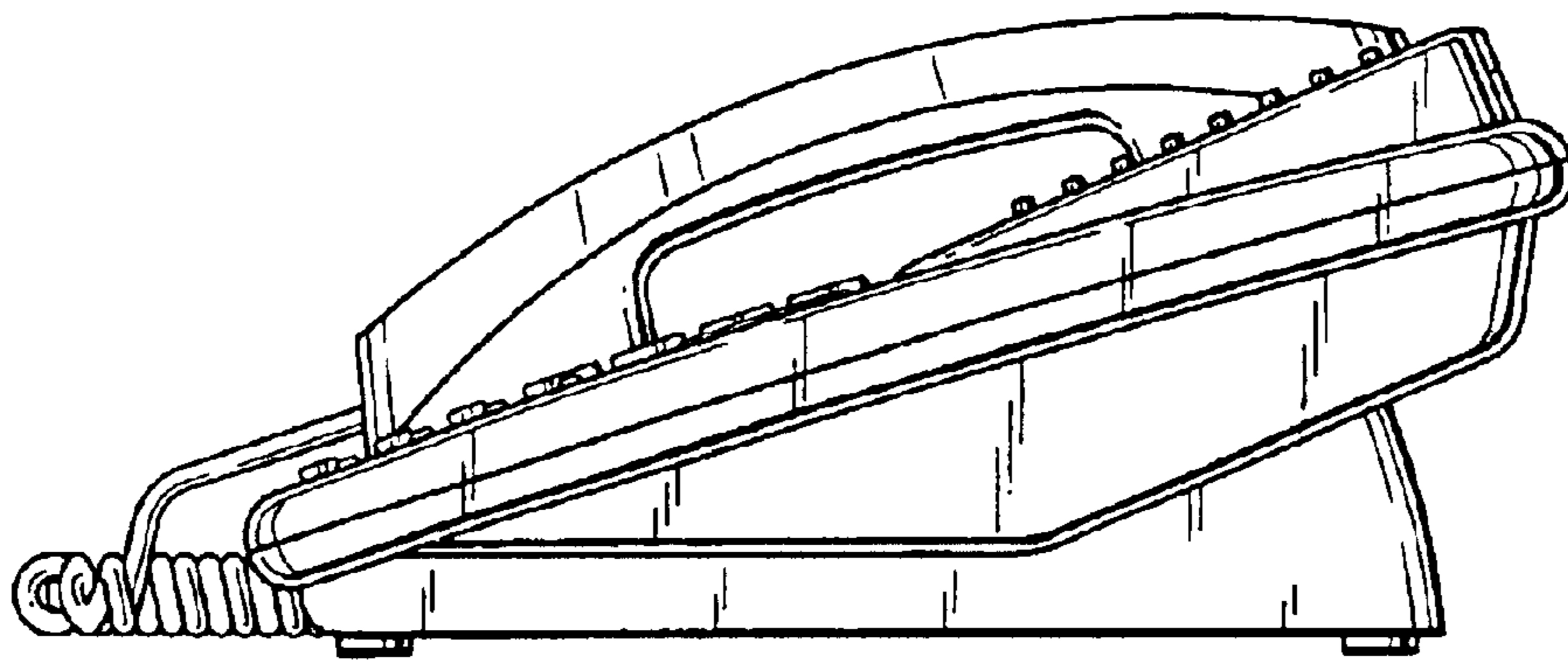


FIG. 7

