



US00D499077S

(12) **United States Design Patent** (10) **Patent No.:** **US D499,077 S**  
**Kudou et al.** (45) **Date of Patent:** **\*\* Nov. 30, 2004**

(54) **WIRELESS TELEPHONE BASE UNIT**  
(75) Inventors: **Yukinobu Kudou**, Dazaifushi (JP);  
**Takayuki Ookawa**, Ogorishi (JP)  
(73) Assignee: **Matsushita Electric Industrial Co., Ltd.**, Osaka (JP)  
(\*\*) Term: **14 Years**  
(21) Appl. No.: **29/199,833**  
(22) Filed: **Feb. 19, 2004**

D368,091 S 3/1996 Yoshihiko et al.  
D375,735 S 11/1996 Tochishita  
D383,749 S \* 9/1997 Nagele et al. .... D14/149  
D401,235 S \* 11/1998 Fuke et al. .... D14/149  
D408,816 S \* 4/1999 Richez ..... D14/148  
D409,190 S 5/1999 Tamura et al. .... D14/151  
D410,922 S \* 6/1999 Komiyama ..... D14/149  
D432,106 S \* 10/2000 Isonaga ..... D14/149  
D435,531 S \* 12/2000 Isonaga ..... D14/149  
D445,975 S \* 7/2001 Stratford ..... D32/31  
D452,213 S \* 12/2001 Shindo et al. .... D13/108  
D452,676 S \* 1/2002 Shindo et al. .... D13/108  
D479,523 S \* 9/2003 Peiker ..... D14/253

(51) **LOC (7) Cl.** ..... **14-03**  
(52) **U.S. Cl.** ..... **D14/149; D14/253**  
(58) **Field of Search** ..... D14/137, 434,  
D14/138, 447, 148, 147, 149-151, 140-142,  
240, 241, 251-253, 451, 218; 379/426,  
449, 419, 420.01-420.04, 428.01-428.04,  
440, 454, 455, 446; 455/550.1-90.3; D13/107,  
108; 224/670, 197, 271; D3/218; 248/221.11,  
231.81; 320/110-115

**FOREIGN PATENT DOCUMENTS**

JP D988293 8/1997  
JP D1038101 5/1999  
JP D1088500 10/2000  
JP D1055453/2 1/2001  
JP D1117036 7/2001  
JP D1126733 11/2001  
WO DM/048431 \* 7/1999

\* cited by examiner

(56) **References Cited**  
**U.S. PATENT DOCUMENTS**

D279,372 S 6/1985 Baba et al.  
D282,655 S 2/1986 Kaku et al.  
D284,467 S 7/1986 Baba et al.  
D285,553 S 9/1986 Baba et al.  
D287,011 S 12/1986 Kaku  
D287,719 S 1/1987 Kaku  
D287,970 S 1/1987 Kaku  
D289,642 S 5/1987 Kaku  
D297,935 S 10/1988 Kurosu et al.  
D298,620 S 11/1988 Ohta et al.  
D298,934 S 12/1988 Ohta et al.  
D298,936 S 12/1988 Ohta et al.  
D299,228 S 1/1989 Kurosu et al.  
D299,644 S 1/1989 Ohta et al.  
D302,689 S 8/1989 Murakami et al.  
D303,390 S 9/1989 Ohta et al.  
D303,665 S 9/1989 Ohta et al.  
D307,426 S 4/1990 Ohta et al.  
D319,641 S 9/1991 Sugi et al.  
D349,899 S \* 8/1994 Siddoway et al. .... D14/151  
D354,954 S 1/1995 Naito et al.  
D354,961 S \* 1/1995 Richards et al. .... D14/253  
D361,998 S 9/1995 Murakami et al.  
D362,004 S \* 9/1995 Nakano et al. .... D14/253

*Primary Examiner*—Jeffrey Asch  
(74) *Attorney, Agent, or Firm*—Brinks Hofer Gilson & Lione

(57) **CLAIM**

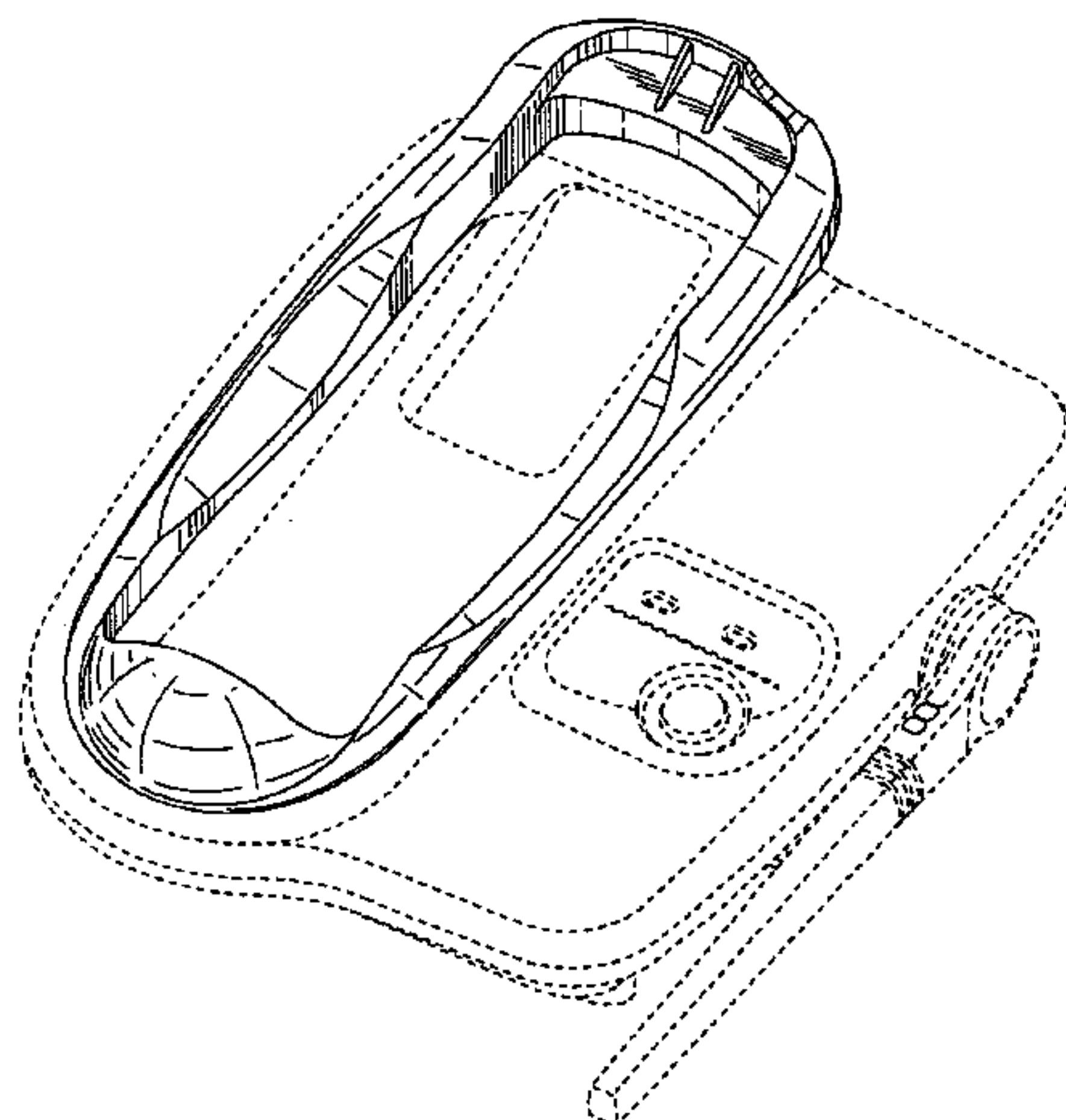
The ornamental design for a wireless telephone base unit, as shown and described.

**DESCRIPTION**

FIG. 1 is a top perspective view of a wireless telephone base unit of the present invention;  
FIG. 2 is a top view thereof;  
FIG. 3 is a front view thereof;  
FIG. 4 is a first side view thereof;  
FIG. 5 is a second side view thereof;  
FIG. 6 is a rear view thereof; and,  
FIG. 7 is a bottom view thereof.

The ornamental design which is claimed is shown in solid lines in the drawings. Any broken lines in the drawings are for illustrative purposes only and form no part of the claimed design.

**1 Claim, 4 Drawing Sheets**



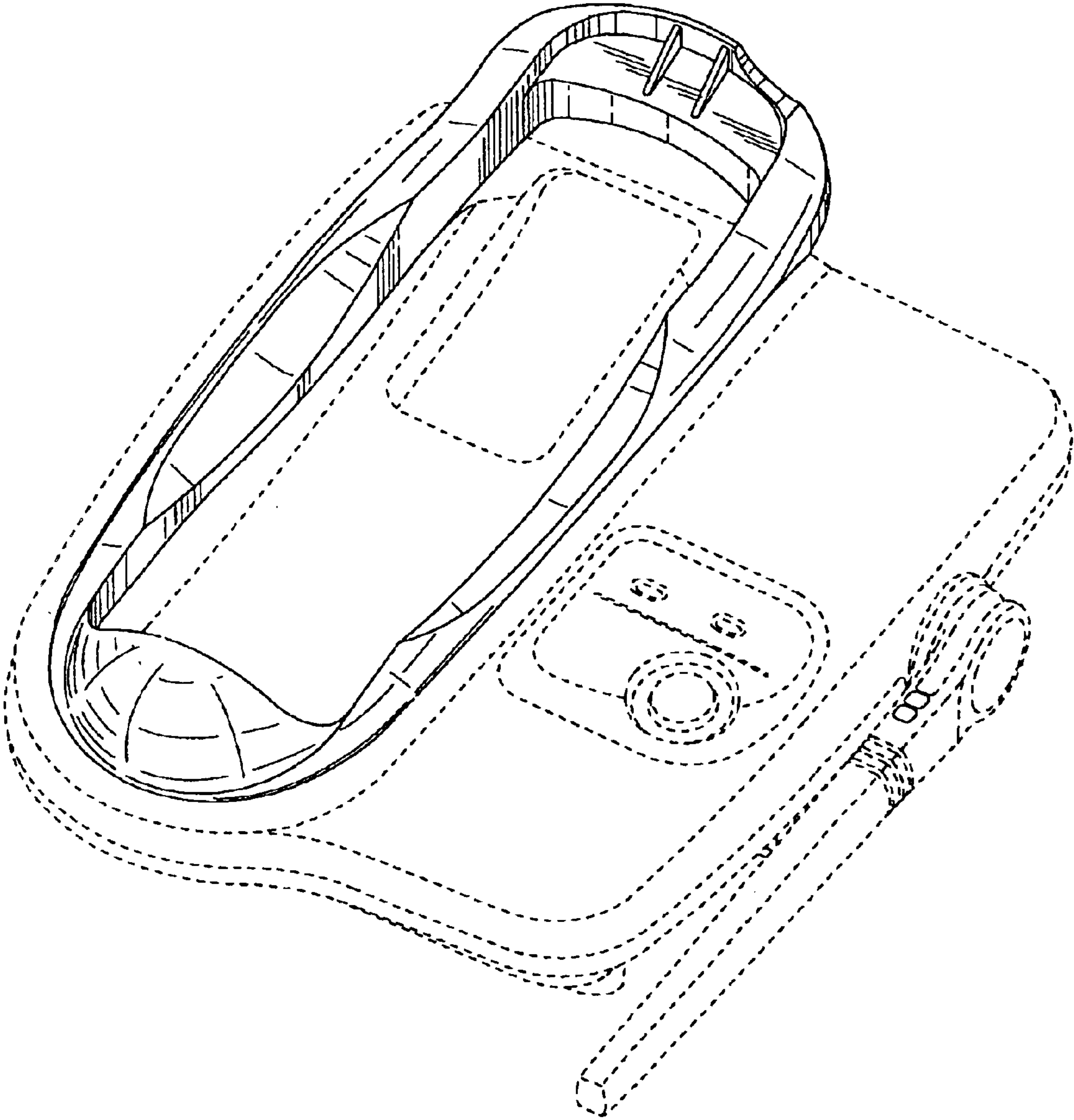


FIG. 1

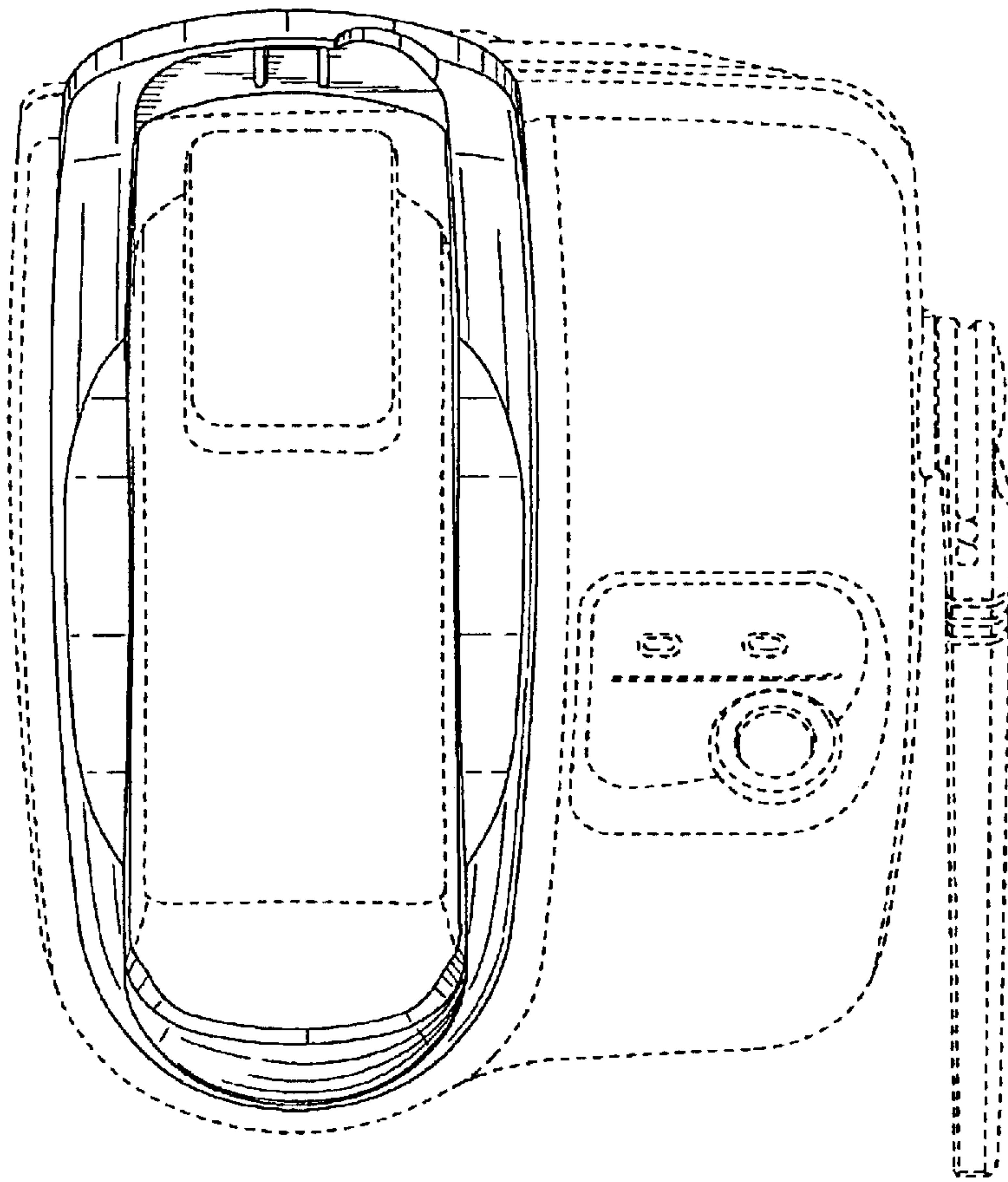


FIG. 2

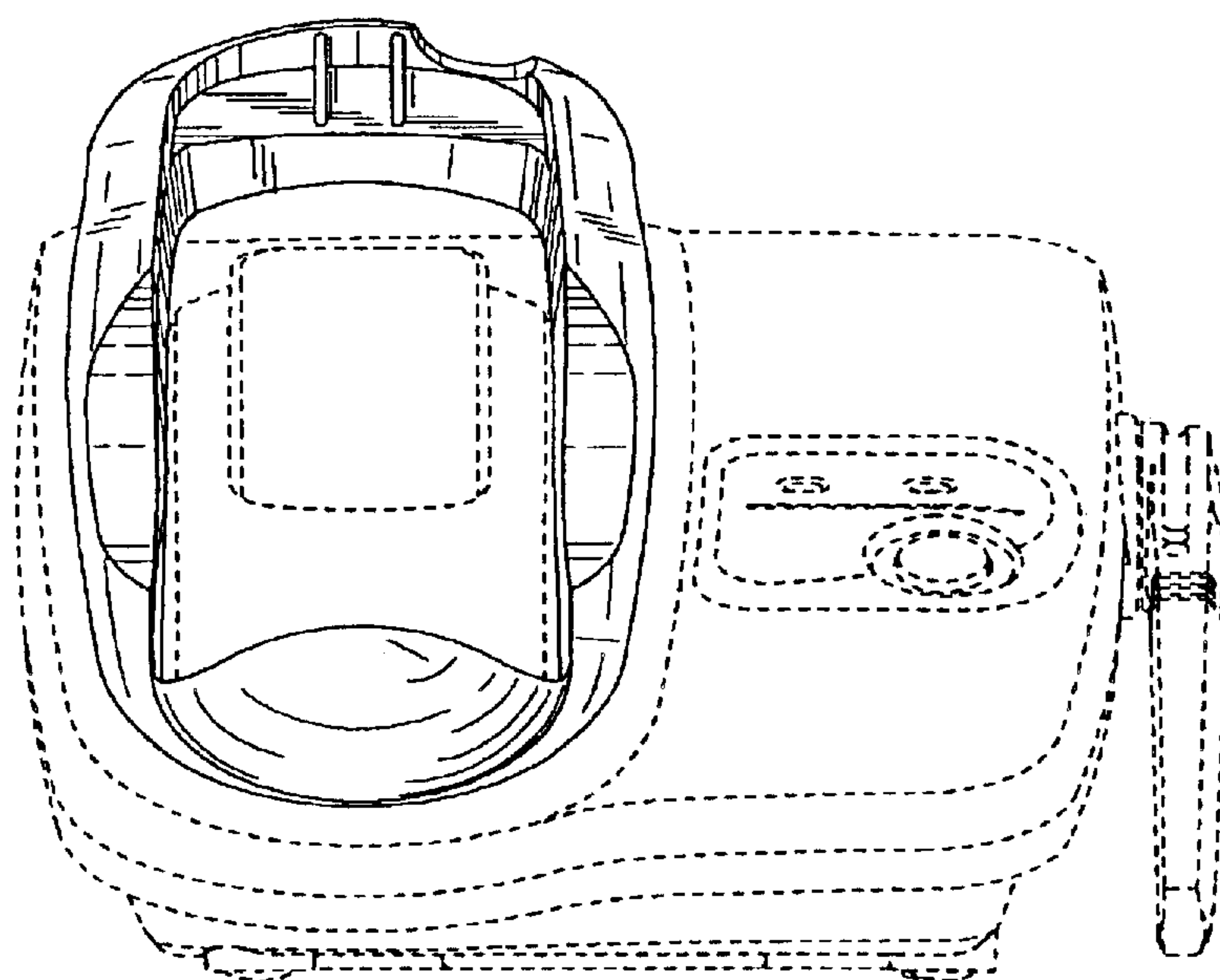


FIG. 3



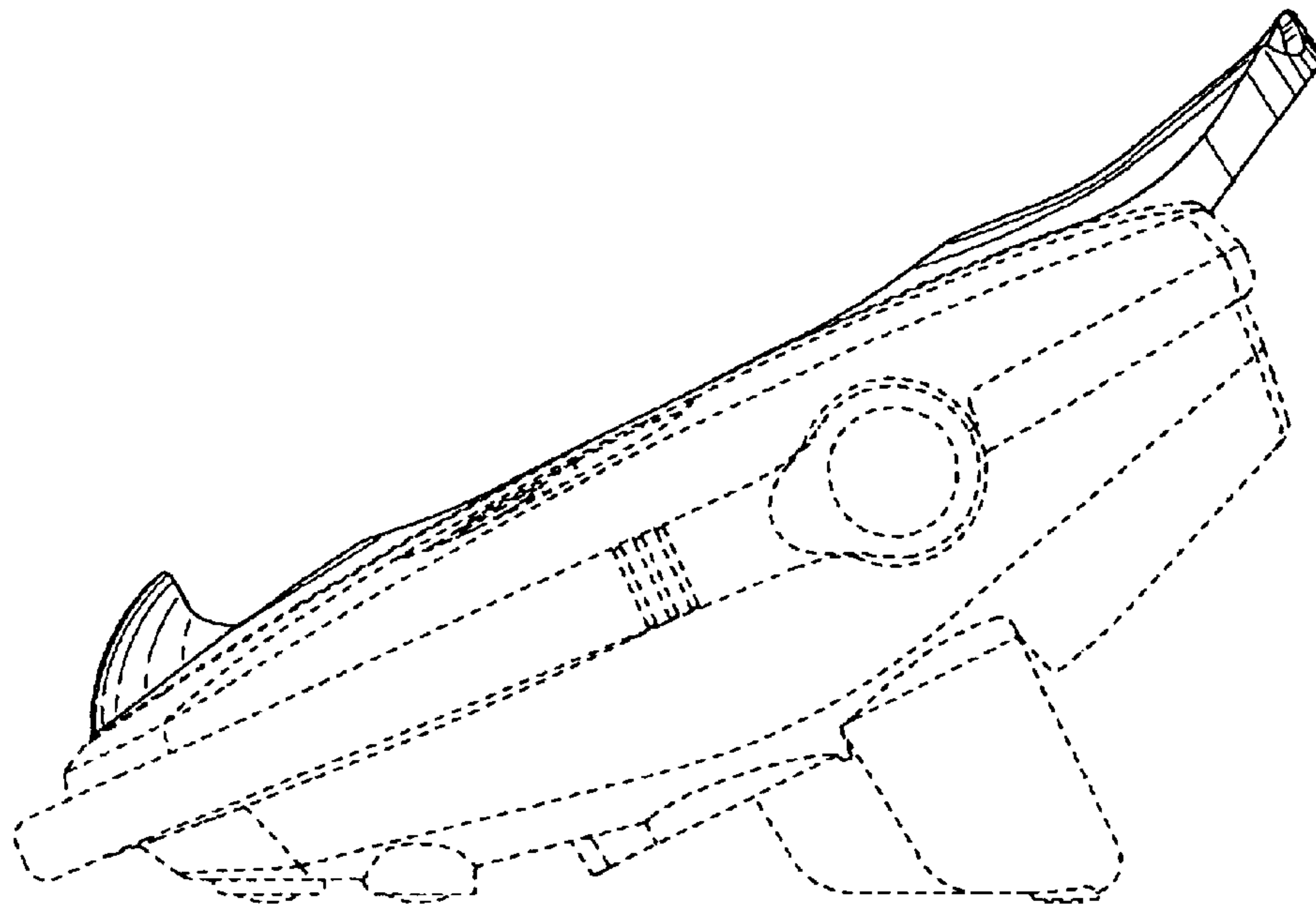


FIG. 4

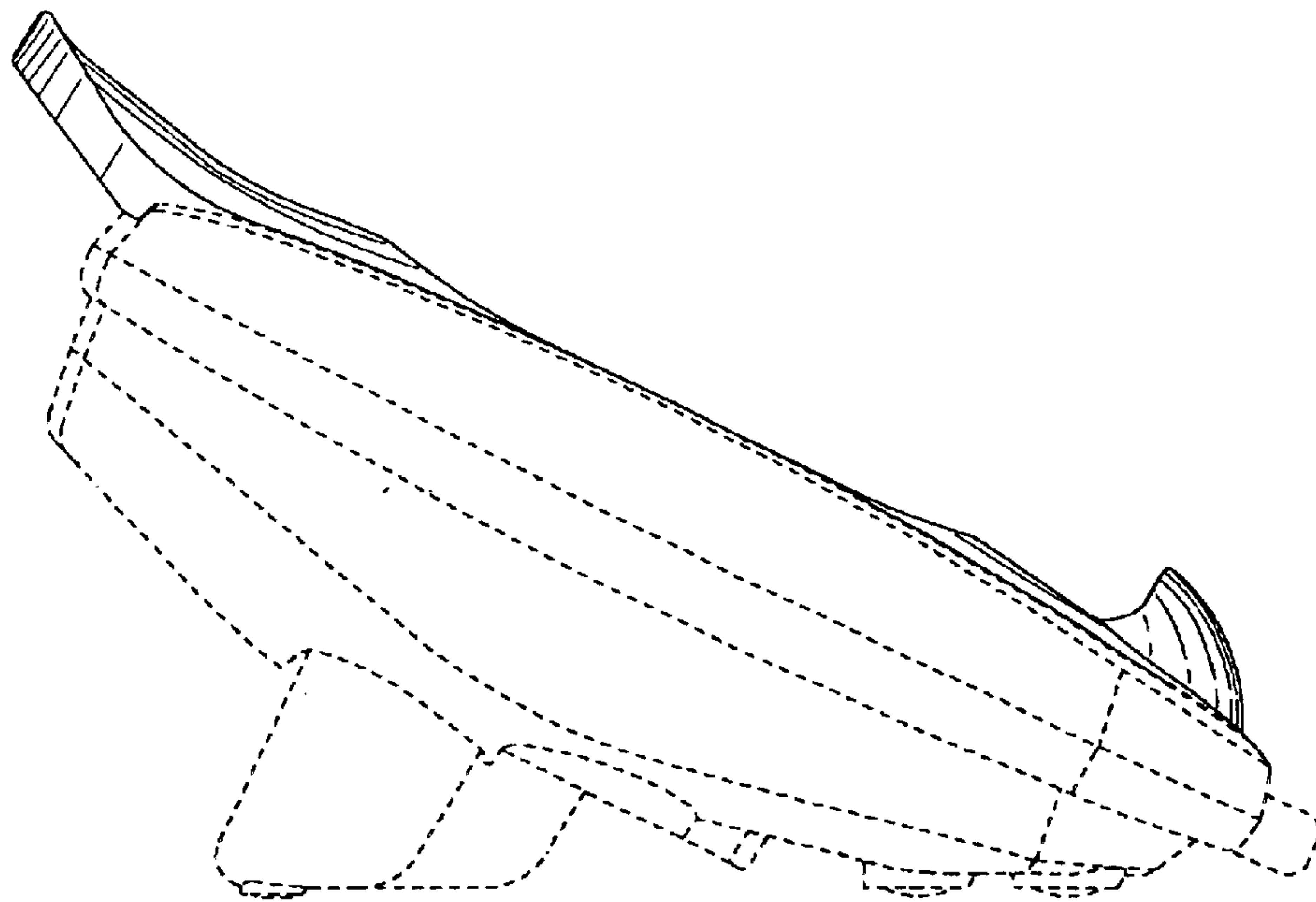


FIG. 5

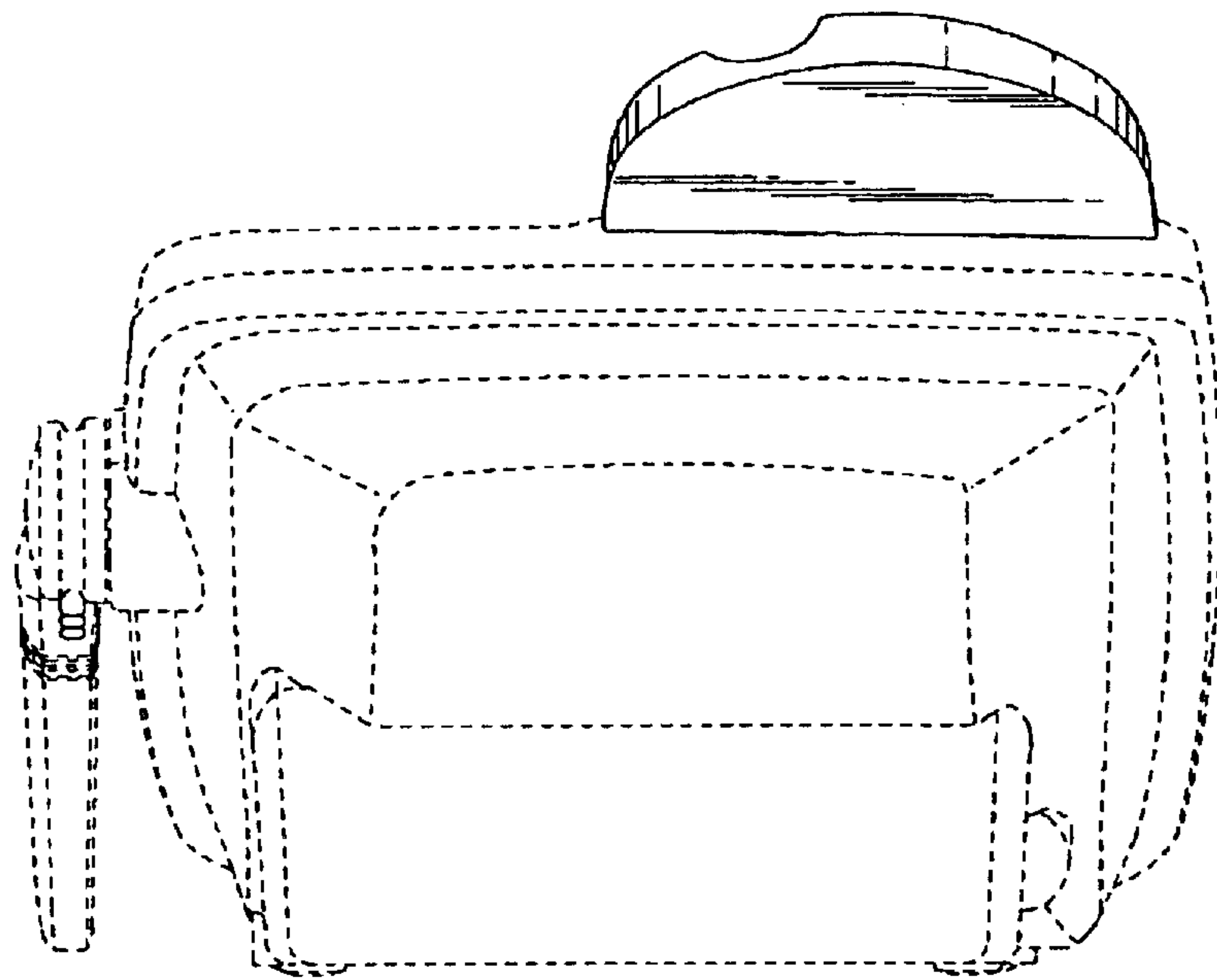


FIG. 6

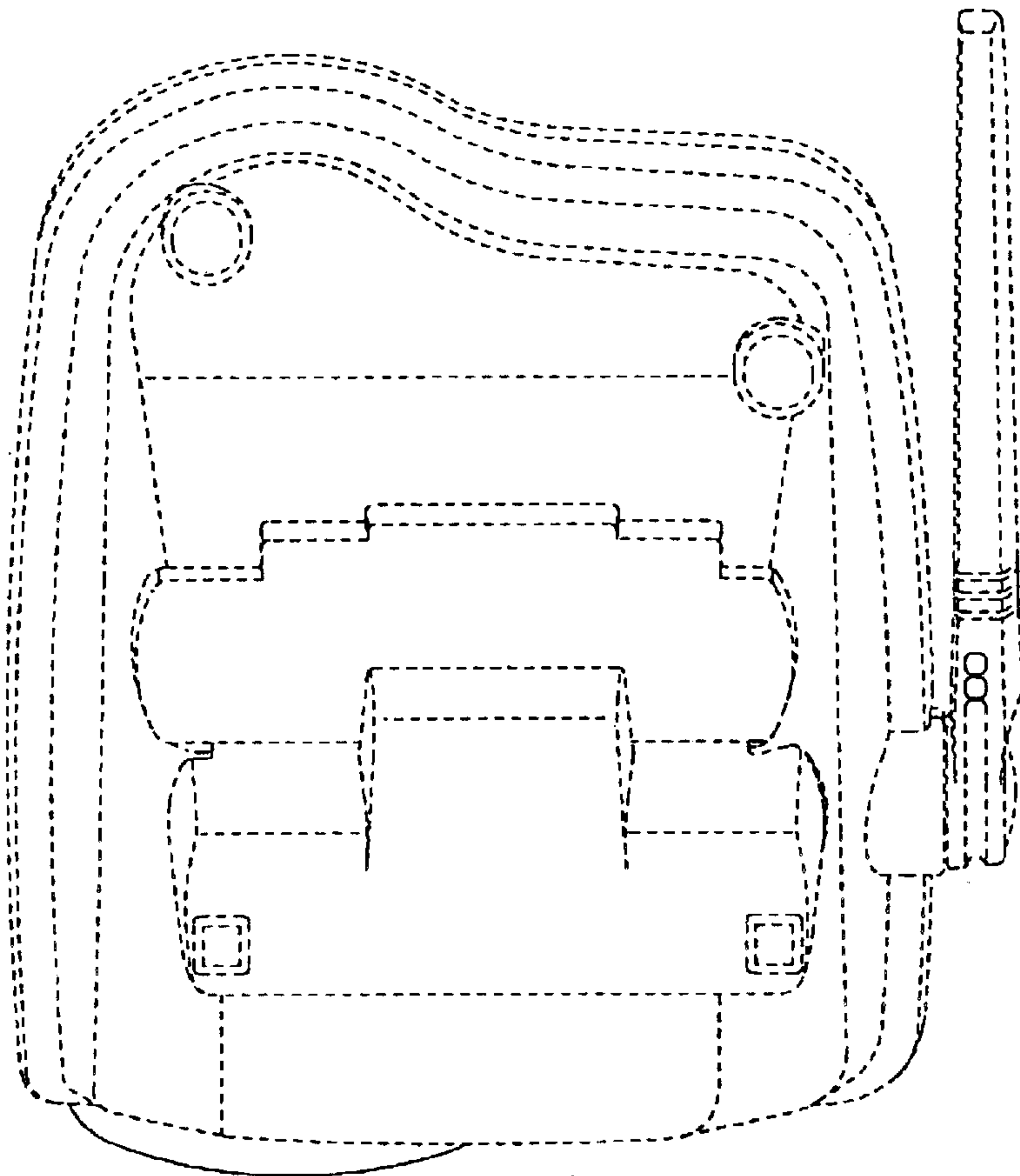


FIG. 7