

US00D499076S

(12) **United States Design Patent**
Kita

(10) **Patent No.:** **US D499,076 S**
(45) **Date of Patent:** **** Nov. 30, 2004**

(54) **TELEVISION SET**
(75) **Inventor:** **Toshiyuki Kita**, Osaka-fu (JP)
(73) **Assignee:** **Sharp Kabushiki Kaisha**, Osaka (JP)
(**) **Term:** **14 Years**
(21) **Appl. No.:** **29/193,375**
(22) **Filed:** **Nov. 10, 2003**

D429,227 S 8/2000 Shimizu
D431,537 S 10/2000 Saeki et al.
D438,848 S 3/2001 Kita
D439,224 S 3/2001 Kita
D439,225 S 3/2001 Kita
D453,747 S 2/2002 Kita
D453,748 S 2/2002 Kita
D456,370 S 4/2002 Kita
D458,910 S 6/2002 Kita
D472,532 S * 4/2003 Niitsu D14/126
D483,020 S * 12/2003 Nagao et al. D14/126

(30) **Foreign Application Priority Data**

May 9, 2003 (JP) 2003-012846

(51) **LOC (7) Cl.** **14-03**
(52) **U.S. Cl.** **D14/126**
(58) **Field of Search** D14/125-134,
D14/239, 371, 374-376; 312/7.2; 348/836,
838, 180, 184, 325, 739; 341/12; 248/917-924;
345/104, 133, 156, 168, 87, 173

(56) **References Cited**

U.S. PATENT DOCUMENTS

D336,645 S 6/1993 Saito et al.
D337,113 S 7/1993 Saito et al.
D342,497 S 12/1993 Saito et al.
D342,501 S 12/1993 Saeki et al.
D342,509 S 12/1993 Saito et al.
D351,155 S 10/1994 Usami et al.
D351,156 S 10/1994 Usami et al.
D357,244 S 4/1995 Usami et al.
D357,245 S 4/1995 Usami et al.
D357,472 S 4/1995 Usami et al.
D369,596 S 5/1996 Akiyama et al.
D372,026 S 7/1996 Akiyama et al.
D373,583 S 9/1996 Akiyama et al.
D408,416 S * 4/1999 Fenner et al. D14/239
D427,169 S 6/2000 Saeki et al.

OTHER PUBLICATIONS

U.S. patent application Ser. No. 29/187,973, Kita, filed Aug. 2003.

* cited by examiner

Primary Examiner—Raphael Barkai
(74) *Attorney, Agent, or Firm*—Nixon & Vanderhye

(57) **CLAIM**

The ornamental design for a “television set”, as shown and described.

DESCRIPTION

FIG. 1 is a top, front and right side perspective view of a television set according to my design;
FIG. 2 is a front elevational view thereof;
FIG. 3 is a rear elevational view thereof;
FIG. 4 is a top plan view thereof.
FIG. 5 is a bottom plan view thereof;
FIG. 6 is a left side elevational view thereof;
FIG. 7 is a right side elevational view thereof; and,
FIG. 8 is a top, rear and right side rear perspective view thereof.

1 Claim, 7 Drawing Sheets

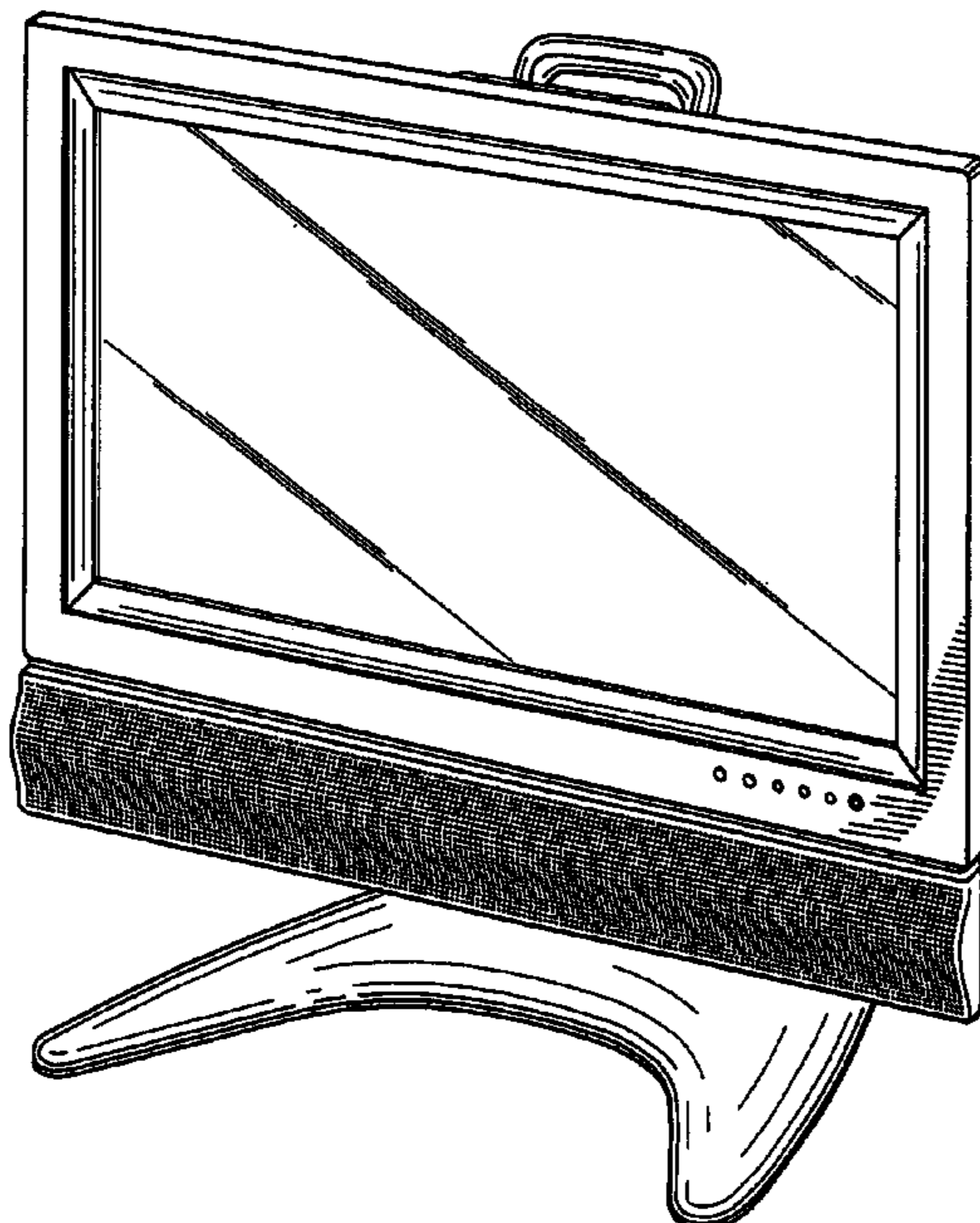
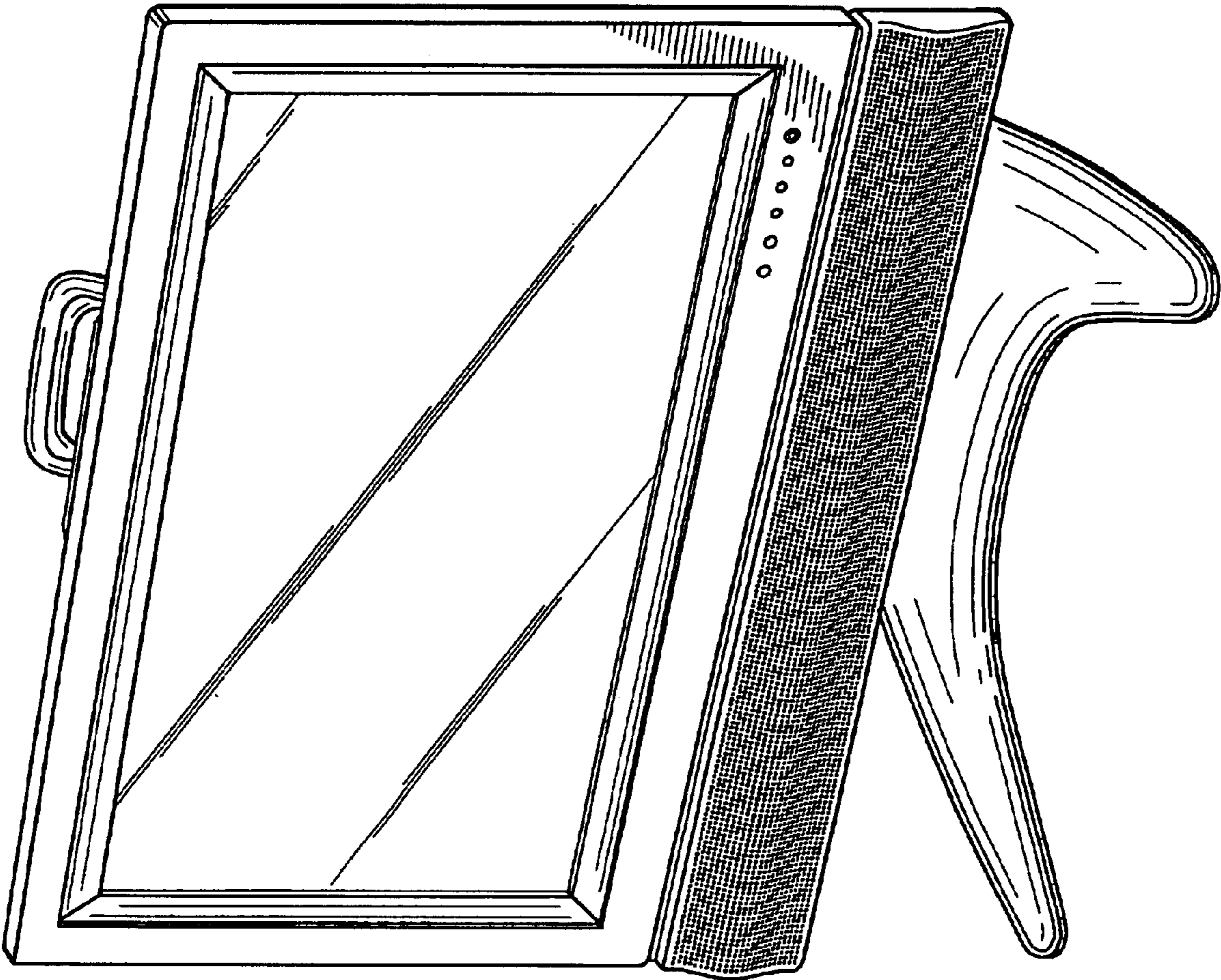


Fig.1



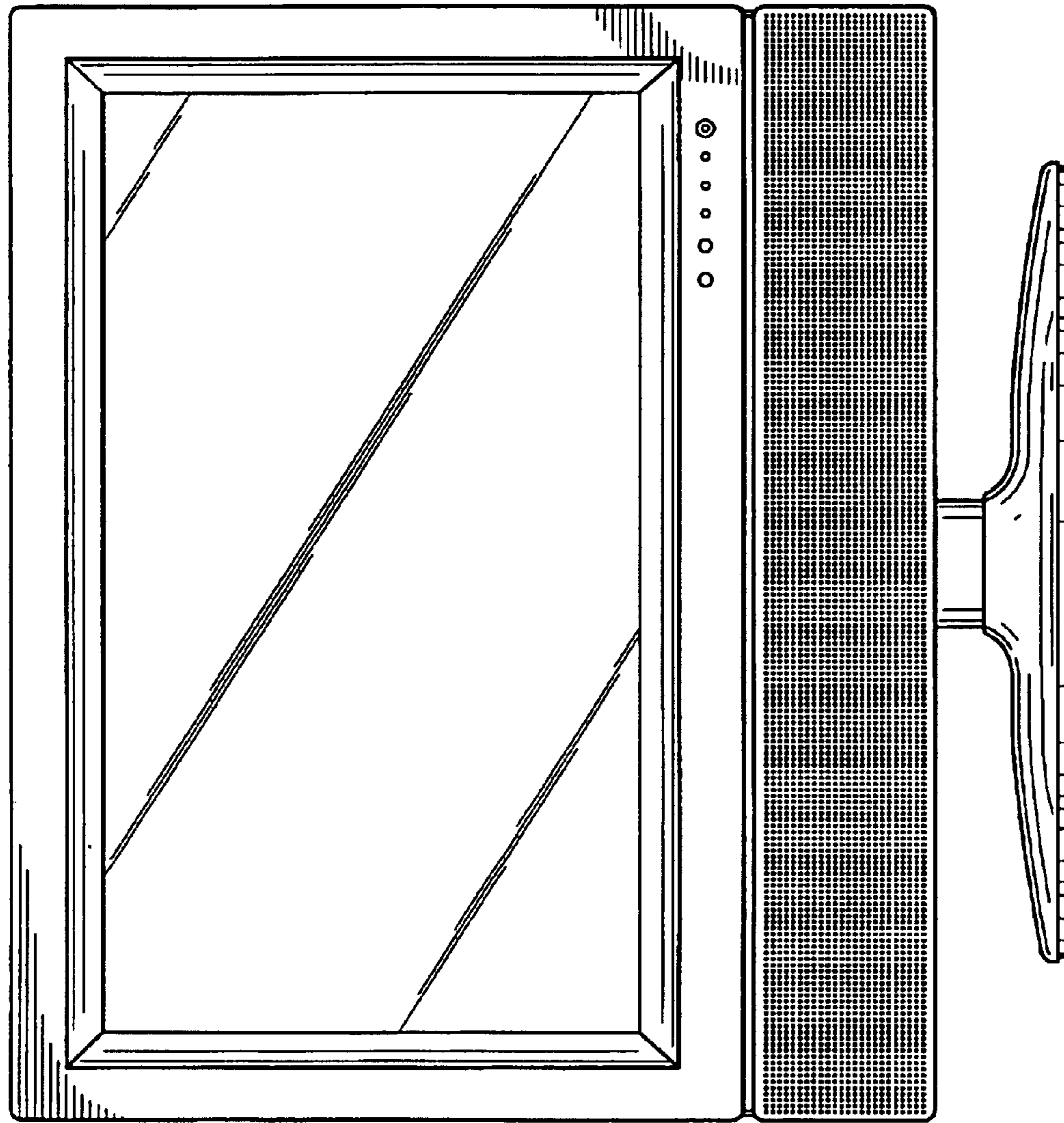


Fig.2

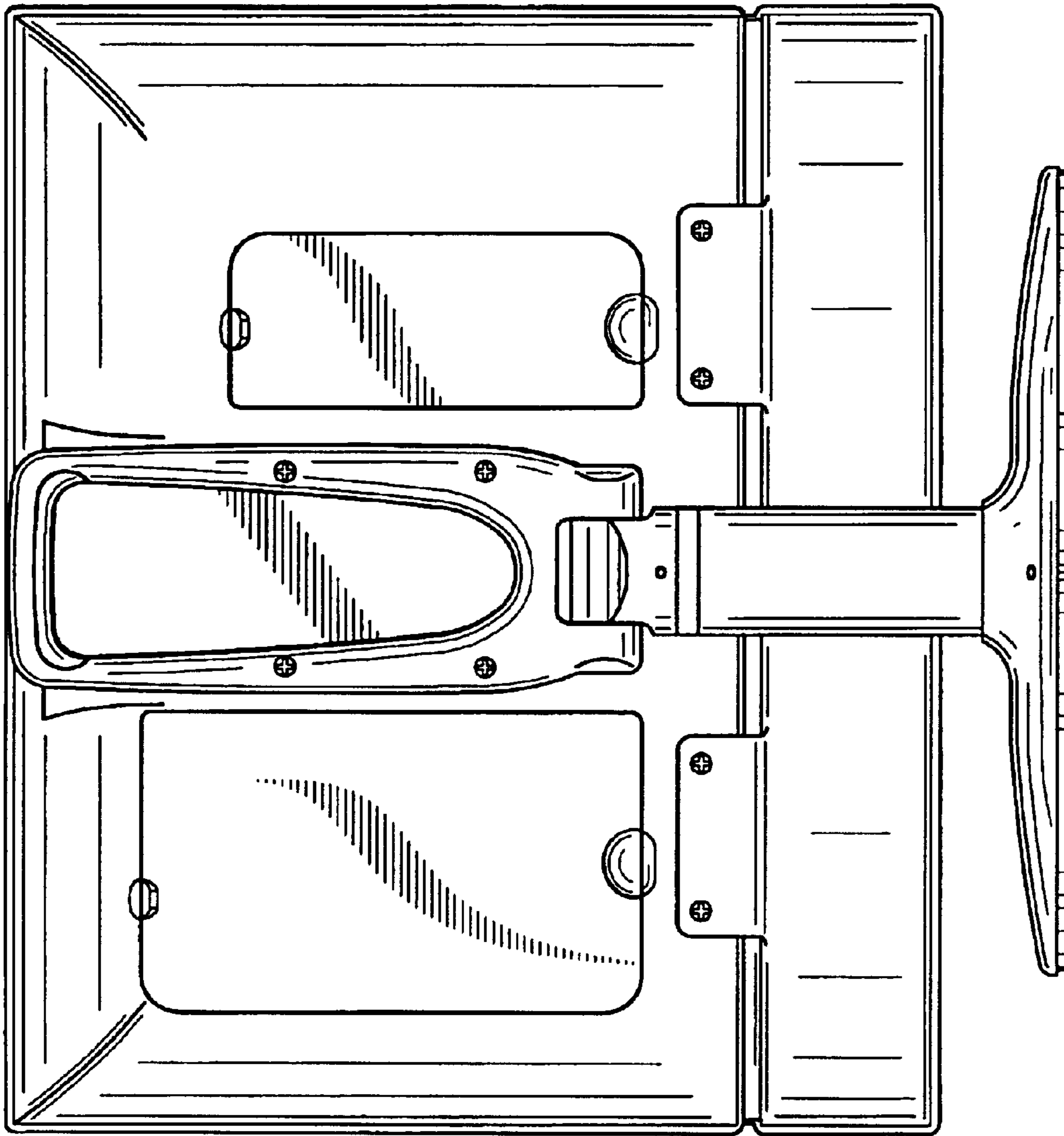


Fig.3

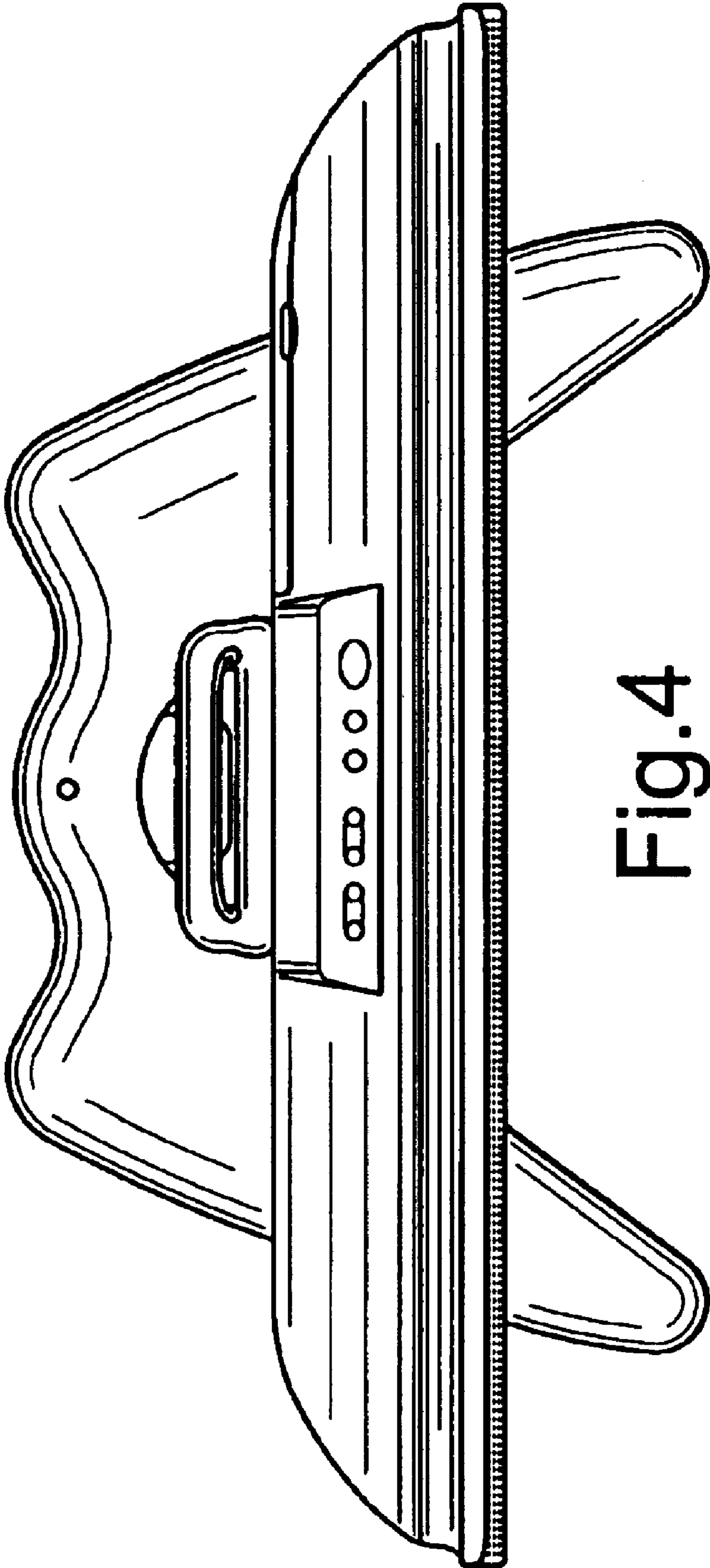


Fig. 4

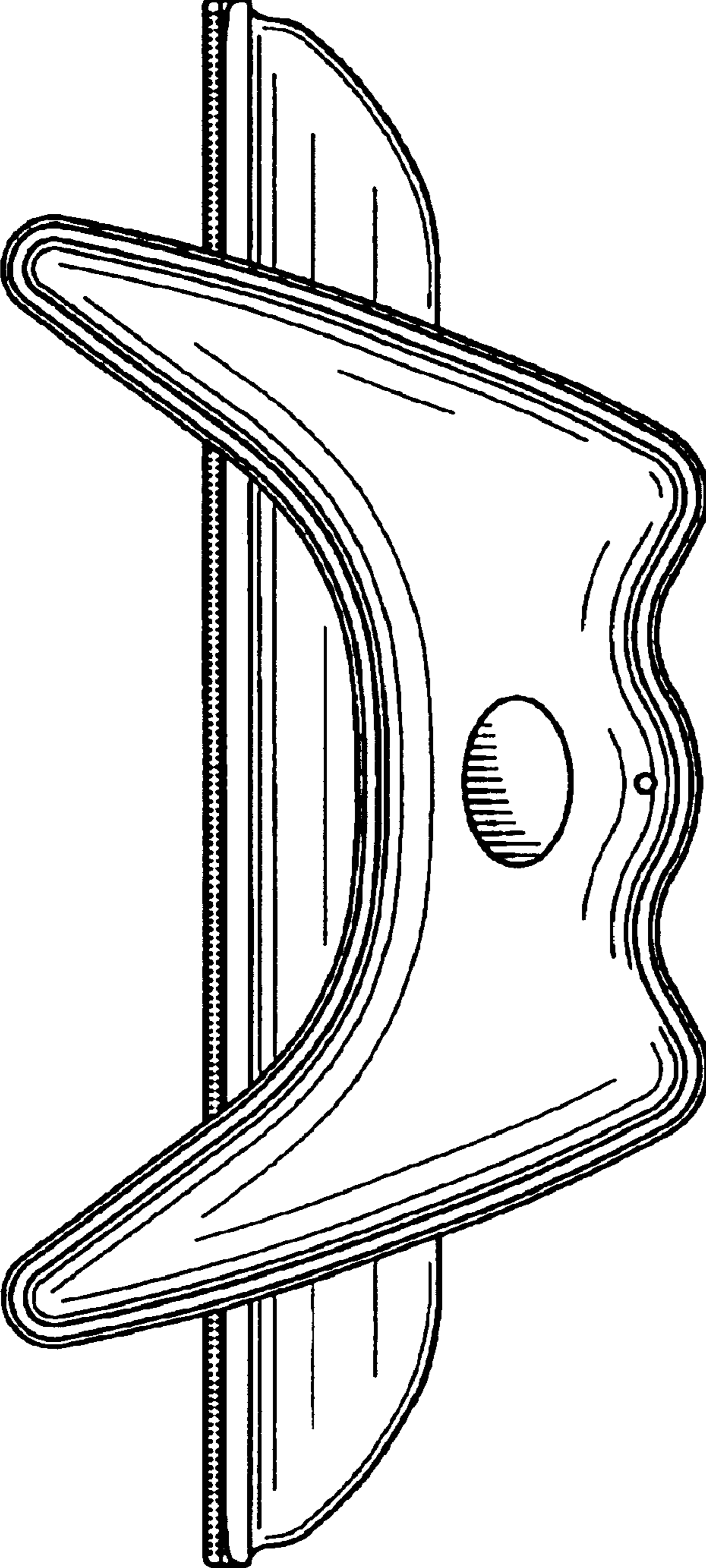


Fig. 5

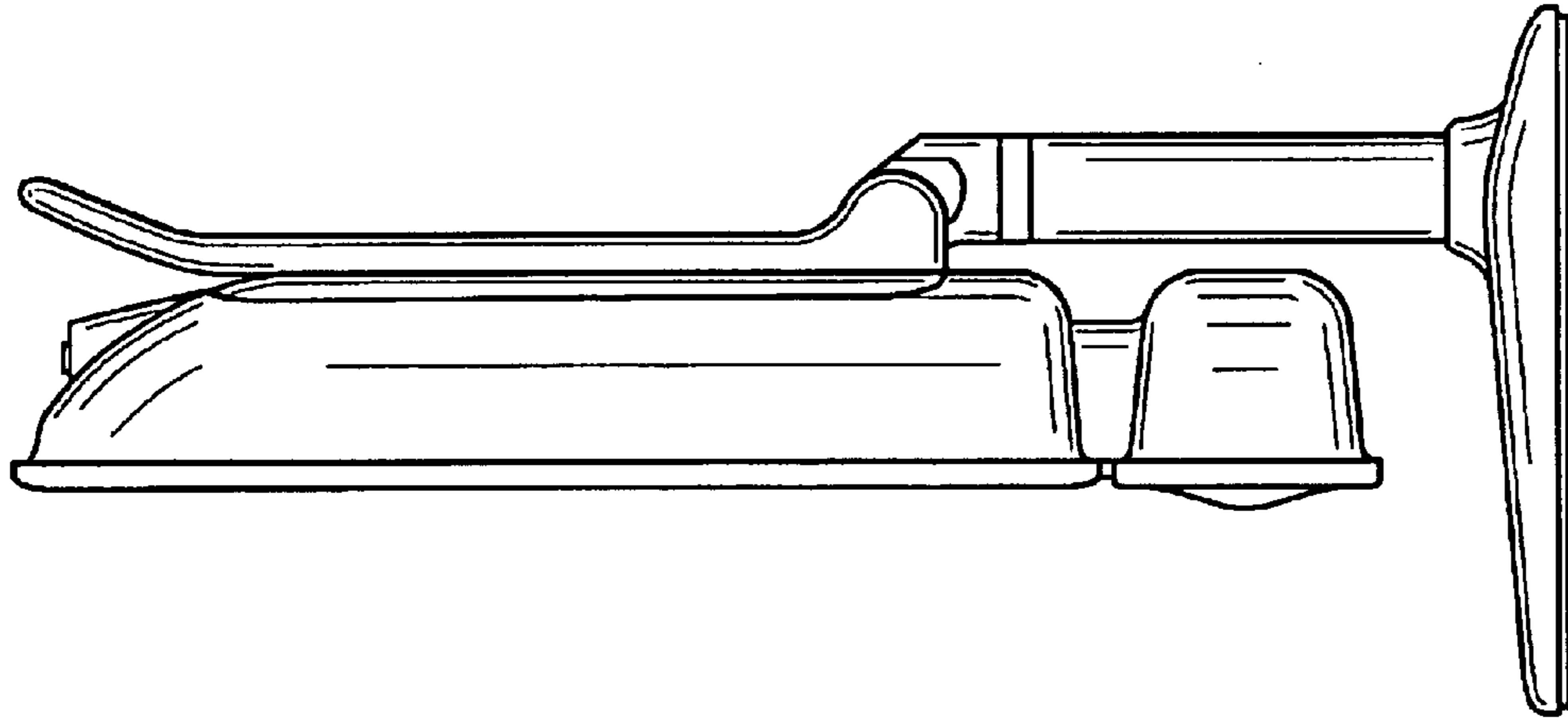


Fig.7

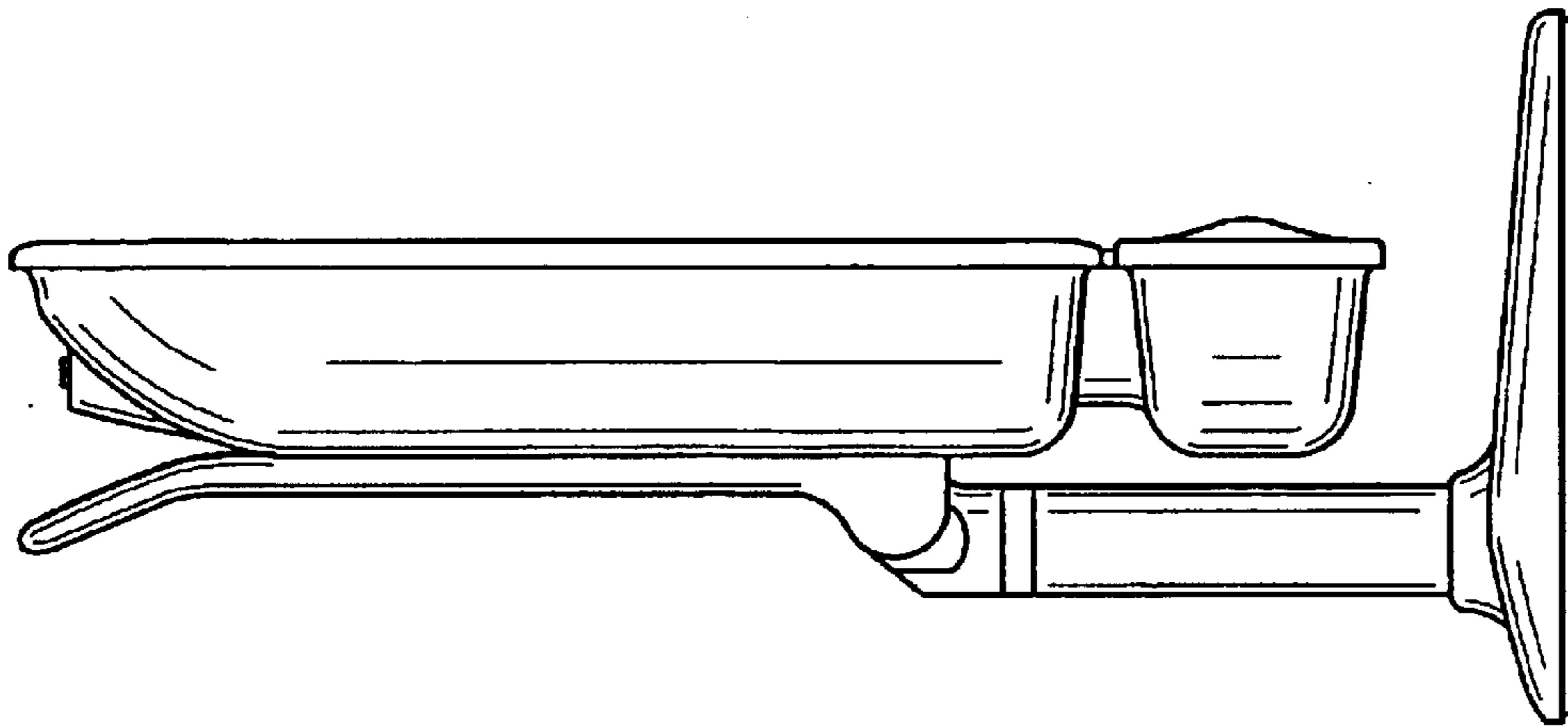


Fig.6

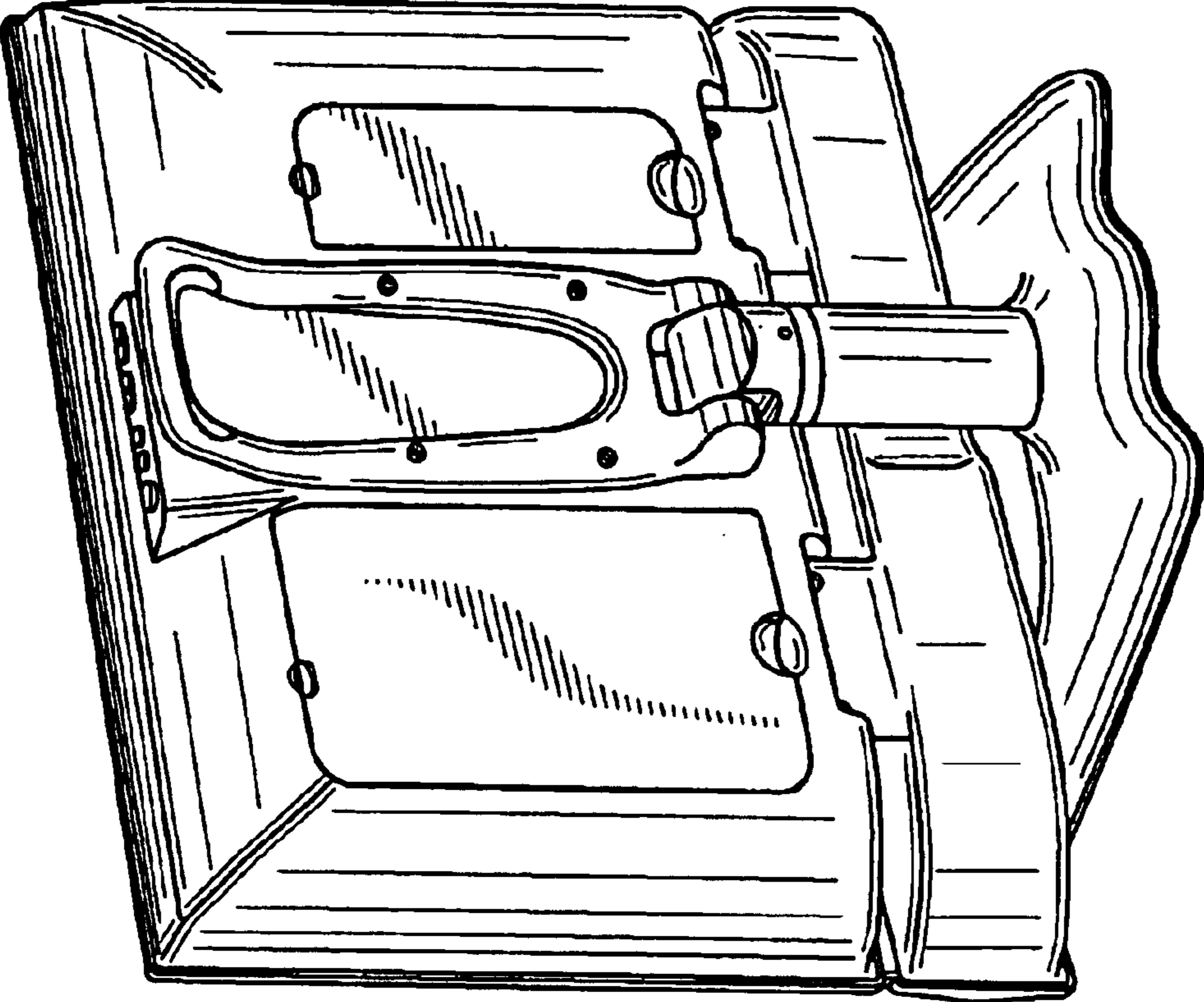


Fig. 8